



US00D987496S

(12) **United States Design Patent** (10) **Patent No.:** **US D987,496 S**
Willing et al. (45) **Date of Patent:** **** May 30, 2023**

(54) **VEHICLE FRONT LOWER GRILLE**
(71) Applicant: **Ford Global Technologies, LLC**,
Dearborn, MI (US)
(72) Inventors: **Todd Willing**, Grosse Pointe, MI (US);
Max Wolff, Elsternwick (AU); **Max**
Tran, Pascoe Vale (AU); **Leigh H.**
Cosentino, Seddon (AU); **Tae Hoon**
Kang, Essendon (AU); **Lee P. Imrie**,
Bundoora (AU)
(73) Assignee: **Ford Global Technologies, LLC**,
Dearborn, MI (US)
(**) Term: **15 Years**

(21) Appl. No.: **29/814,402**
(22) Filed: **Nov. 5, 2021**
(51) **LOC (14) Cl.** **12-16**
(52) **U.S. Cl.**
USPC **D12/163**
(58) **Field of Classification Search**
USPC D12/163, 196, 86, 90-92, 169, 190, 98,
D12/164; 293/193.11; 180/68.1, 68.6
CPC B62B 9/16; B60K 11/08; B62D 25/08;
B60R 19/52
See application file for complete search history.

(56) **References Cited**

U.S. PATENT DOCUMENTS

D473,500 S * 4/2003 Okumoto D12/169
D502,675 S * 3/2005 Ichinose D12/169
D504,366 S * 4/2005 Ishibashi D12/169
D533,819 S * 12/2006 Hogios D12/169
D561,072 S * 2/2008 Golden D12/169
D561,654 S * 2/2008 Platto D12/163
D578,443 S * 10/2008 Schiavone D12/163
D584,196 S * 1/2009 Ebel D12/163
D584,197 S * 1/2009 Song D12/163

D593,460 S * 6/2009 Schiavone D12/163
D680,921 S * 4/2013 Jara D12/163
D681,514 S * 5/2013 Platto D12/163
D683,667 S * 6/2013 Platto D12/163
D685,690 S * 7/2013 Svensson D12/163
D712,319 S * 9/2014 Mays D12/163
D740,184 S * 10/2015 Blanski D12/163
D758,927 S * 6/2016 Messale D12/163
D771,533 S * 11/2016 Kapitonov D12/169
D771,534 S * 11/2016 Bucher D12/169
D780,646 S * 3/2017 Wolff D12/163
D786,743 S * 5/2017 Smith D12/163
D788,656 S * 6/2017 Svensson D12/163
D789,840 S * 6/2017 Curic D12/163
D791,653 S * 7/2017 Svensson D12/163
D815,570 S * 4/2018 McMahan D12/163
D819,512 S * 6/2018 Behmer D12/163
D827,513 S * 9/2018 Gueler D12/163

(Continued)

Primary Examiner — Melody N Brown

(74) *Attorney, Agent, or Firm* — Vichit Chea

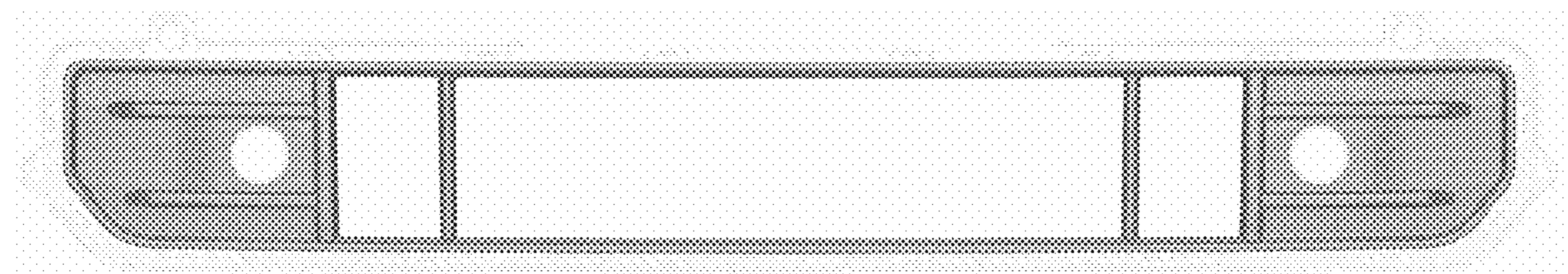
(57) **CLAIM**

The ornamental design for a vehicle front lower grille, as shown and described.

DESCRIPTION

FIG. 1 is a front elevational view of a vehicle front lower grille, showing our new design;
FIG. 2 is a left side elevational view thereof;
FIG. 3 is a right side elevational view thereof;
FIG. 4 is a top plan view thereof;
FIG. 5 is a bottom plan view thereof;
FIG. 6 is a top, front and left side perspective view thereof;
and,
FIG. 7 is a bottom, front and left side perspective view thereof.
The claimed design is indicated by the relatively dark portions in the figures. The de-emphasized and relatively light portions form no part of the claimed design.

1 Claim, 7 Drawing Sheets



(56)

References Cited

U.S. PATENT DOCUMENTS

D832,146 S	*	10/2018	Metros	D12/91
D835,002 S	*	12/2018	Metros	D12/91
D837,700 S	*	1/2019	Gueler	D12/163
D841,528 S	*	2/2019	Razaghi	D12/163
D868,641 S	*	12/2019	DiCanzio	D12/163
D875,621 S	*	2/2020	Messale	D12/163
D879,679 S	*	3/2020	Kezha	D12/163
D909,929 S	*	2/2021	Bucher	D12/163
D923,523 S	*	6/2021	DiCanzio	D12/163
D924,741 S	*	7/2021	Hunwick	D12/163
D937,143 S	*	11/2021	Hamilton	D12/163
D944,131 S	*	2/2022	Ponomarenko	D12/163
D944,133 S	*	2/2022	Jevremovic	D12/163
D971,092 S	*	11/2022	Kaoud	D12/163

* cited by examiner

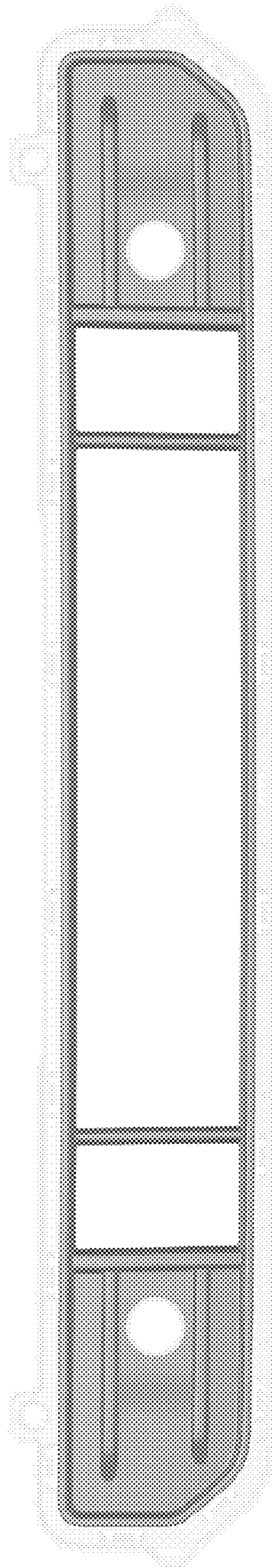


Fig. 1

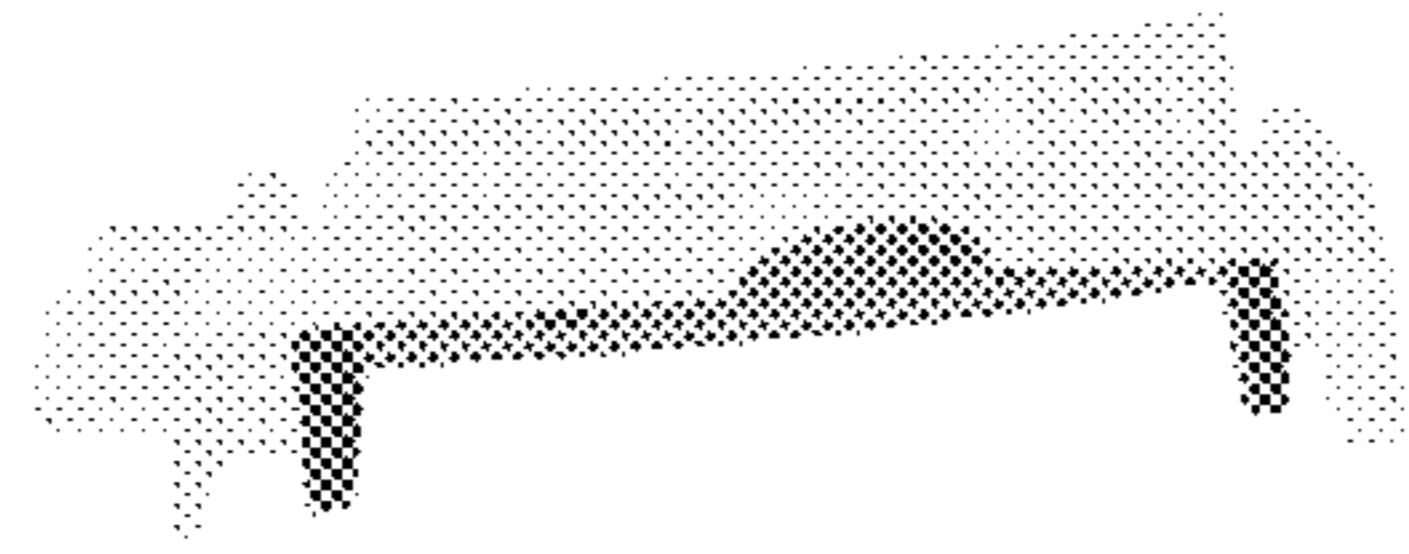


Fig. 2

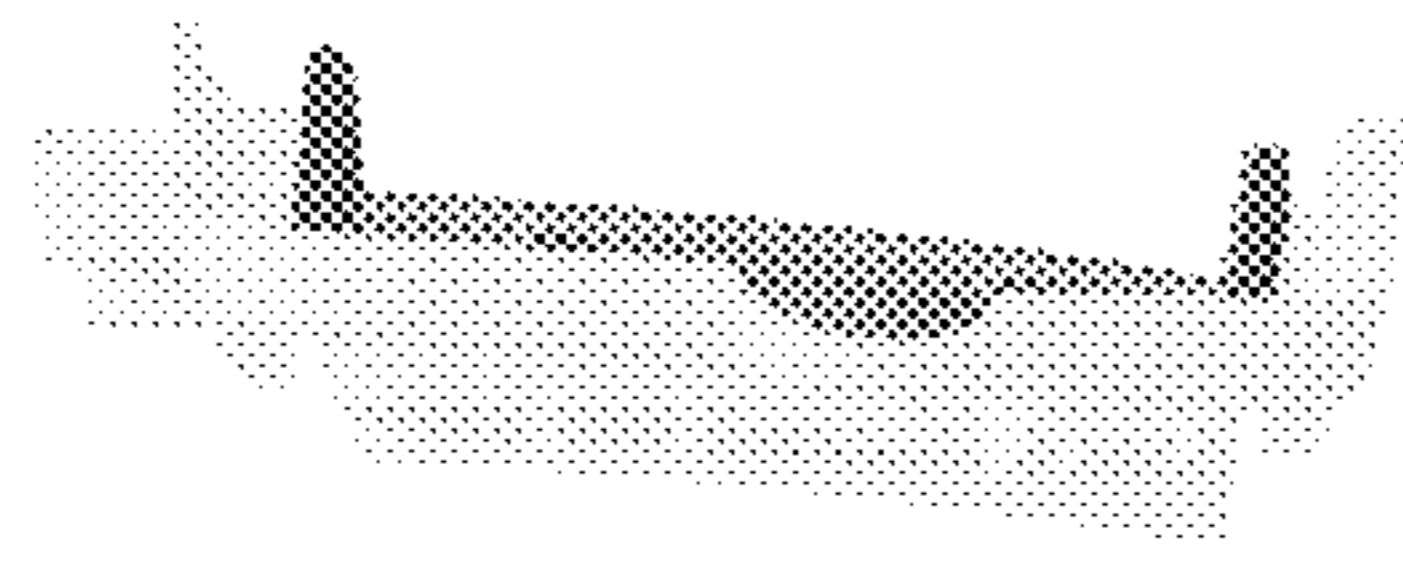


Fig. 3

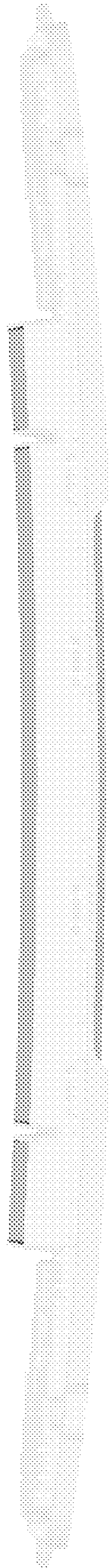


Fig.4

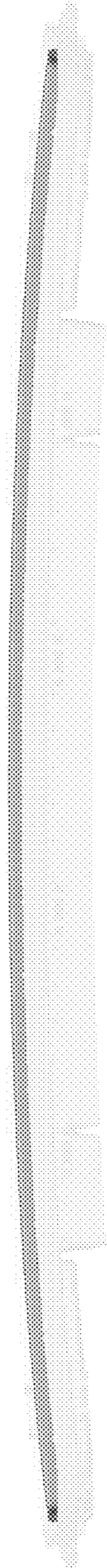


Fig. 5

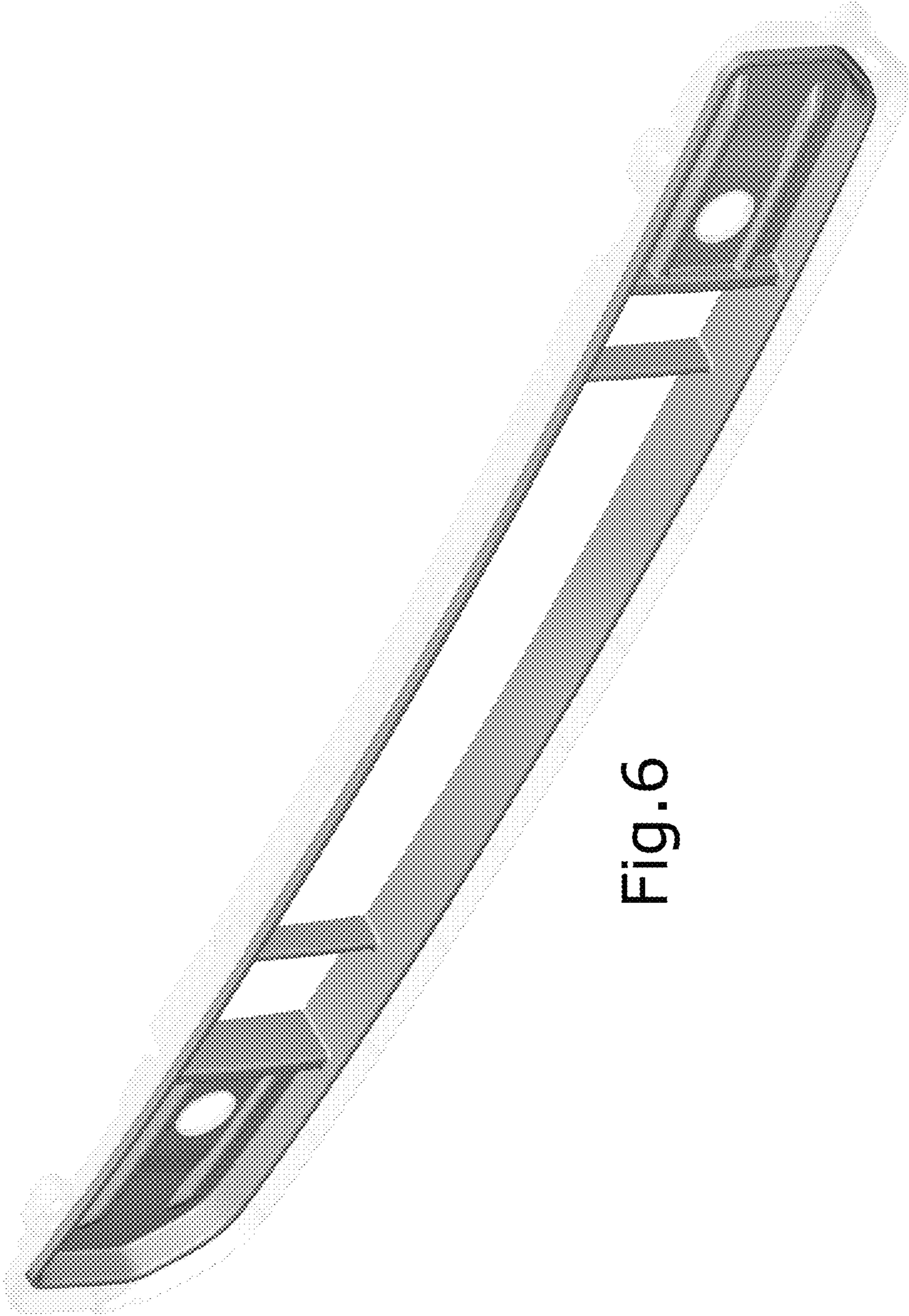


Fig. 6

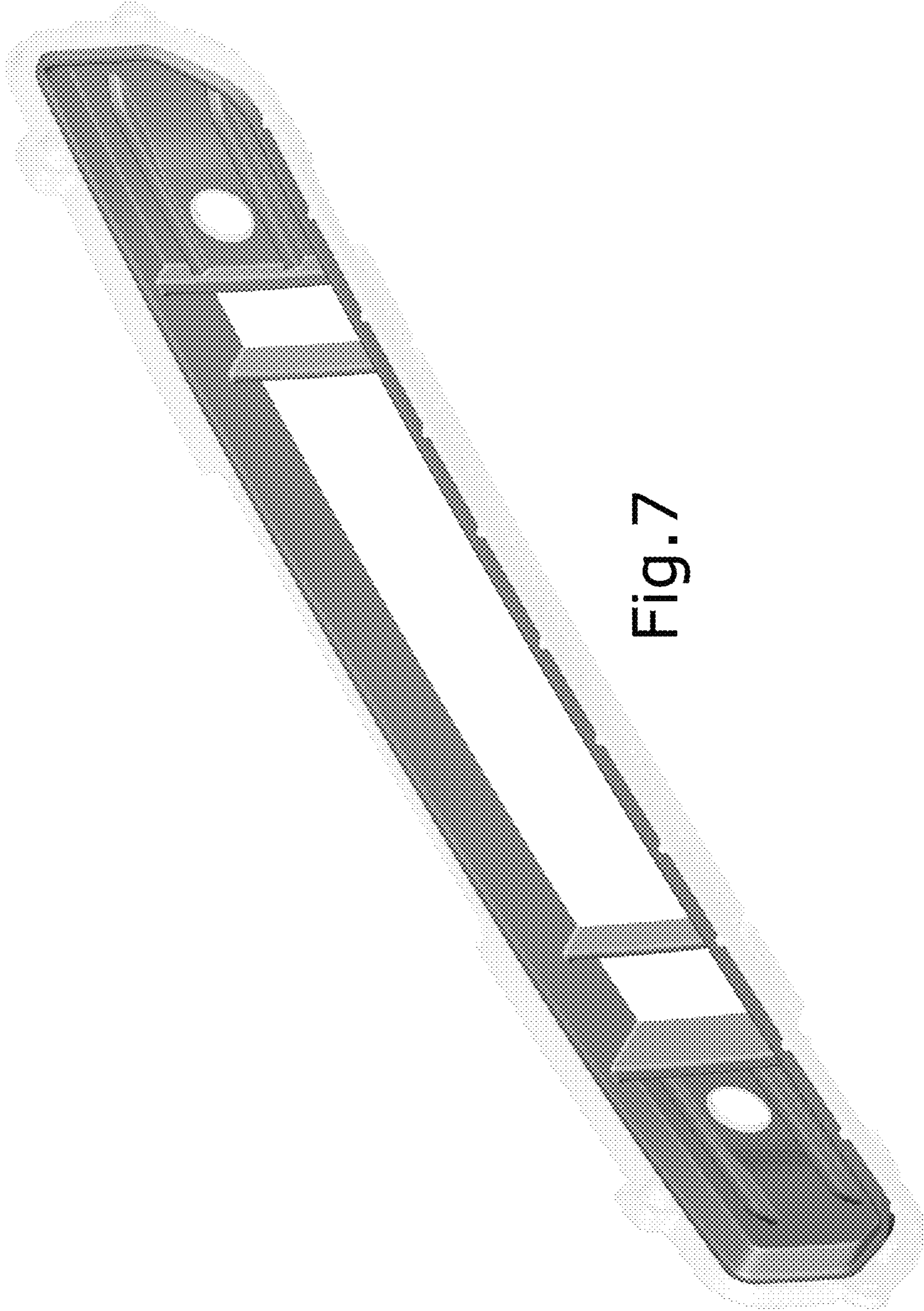


Fig. 7