



US00D987495S

(12) **United States Design Patent** (10) **Patent No.:** **US D987,495 S**
Willing et al. (45) **Date of Patent:** **** May 30, 2023**

(54) **VEHICLE FRONT LOWER GRILLE**

(71) Applicant: **Ford Global Technologies, LLC,**
Dearborn, MI (US)

(72) Inventors: **Todd Willing,** Grosse Pointe, MI (US);
Max Wolff, Elsternwick (AU); **Max Tran,** Pascoe Vale (AU); **Leigh H. Cosentino,** Seddon (AU); **Tae Hoon Kang,** Essendon (AU); **Lee P. Imrie,** Bundoora (AU)

(73) Assignee: **Ford Global Technologies, LLC,**
Dearborn, MI (US)

(**) Term: **15 Years**

(21) Appl. No.: **29/814,401**

(22) Filed: **Nov. 5, 2021**

(51) **LOC (14) Cl.** **12-16**

(52) **U.S. Cl.**
USPC **D12/163**

(58) **Field of Classification Search**
USPC D12/163, 196, 86, 90-92, 169, 190, 98,
D12/164; 293/193.11; 180/68.1, 68.6
CPC B62B 9/16; B60K 11/08; B62D 25/08;
B60R 19/52
See application file for complete search history.

(56) **References Cited**

U.S. PATENT DOCUMENTS

D473,500 S *	4/2003	Okumoto	D12/169
D502,675 S *	3/2005	Ichinose	D12/169
D504,366 S *	4/2005	Ishibashi	D12/169
D533,819 S *	12/2006	Hogios	D12/169
D561,072 S *	2/2008	Golden	D12/169
D561,654 S *	2/2008	Platto	D12/163
D578,443 S *	10/2008	Schiavone	D12/163
D584,196 S *	1/2009	Ebel	D12/163

D584,197 S *	1/2009	Song	D12/163
D593,460 S *	6/2009	Schiavone	D12/163
D680,921 S *	4/2013	Jara	D12/163
D681,514 S *	5/2013	Platto	D12/163
D683,667 S *	6/2013	Platto	D12/163
D685,690 S *	7/2013	Svensson	D12/163
D712,319 S *	9/2014	Mays	D12/163
D740,184 S *	10/2015	Blanski	D12/163
D758,927 S *	6/2016	Messale	D12/163
D771,533 S *	11/2016	Kapitonov	D12/169
D771,534 S *	11/2016	Bucher	D12/169
D780,646 S *	3/2017	Wolff	D12/163
D786,743 S *	5/2017	Smith	D12/163
D788,656 S *	6/2017	Svensson	D12/163
D789,840 S *	6/2017	Curic	D12/163
D791,653 S *	7/2017	Svensson	D12/163
D815,570 S *	4/2018	McMahan	D12/163
D819,512 S *	6/2018	Behmer	D12/163
D827,513 S *	9/2018	Gueler	D12/163

(Continued)

Primary Examiner — Melody N Brown

(74) *Attorney, Agent, or Firm* — Vichit Chea

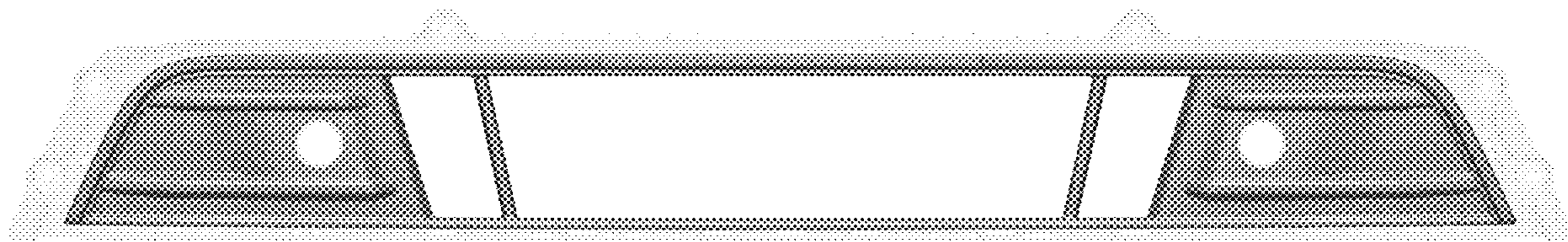
(57) **CLAIM**

The ornamental design for a vehicle front lower grille, as shown and described.

DESCRIPTION

FIG. 1 is a front elevational view of a vehicle front lower grille, showing our new design;
FIG. 2 is a left side elevational view thereof;
FIG. 3 is a right side elevational view thereof;
FIG. 4 is a top plan view thereof;
FIG. 5 is a bottom plan view thereof;
FIG. 6 is a bottom, front and left side perspective view thereof; and,
FIG. 7 is a top, front and left side perspective view thereof.
The claimed design is indicated by the relatively dark portions in the figures. The de-emphasized and relatively light portions form no part of the claimed design.

1 Claim, 7 Drawing Sheets



(56)

References Cited

U.S. PATENT DOCUMENTS

D832,146 S *	10/2018	Metros	D12/91
D835,002 S *	12/2018	Metros	D12/91
D837,700 S *	1/2019	Gueler	D12/163
D841,528 S *	2/2019	Razaghi	D12/163
D879,679 S *	3/2020	Kezha	D12/163
D909,929 S *	2/2021	Bucher	D12/163
D924,741 S *	7/2021	Hunwick	D12/163
D937,143 S *	11/2021	Hamilton	D12/163
D944,131 S *	2/2022	Ponomarenko	D12/163
D944,133 S *	2/2022	Jevremovic	D12/163
D971,092 S *	11/2022	Kaoud	D12/163

* cited by examiner

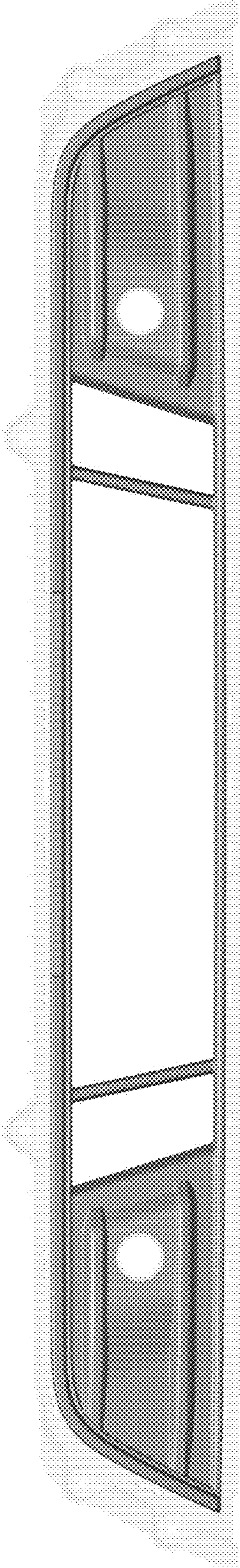


Fig. 1



Fig. 2

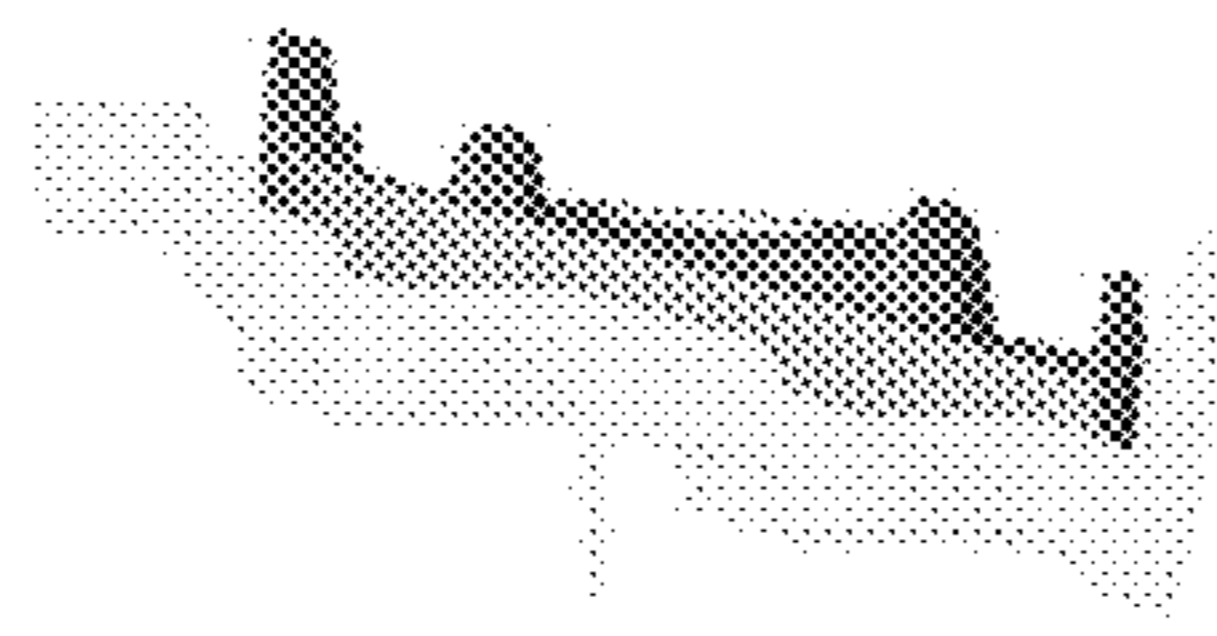


Fig. 3

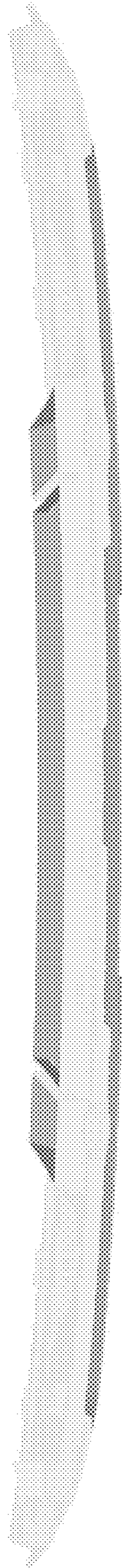


Fig. 4

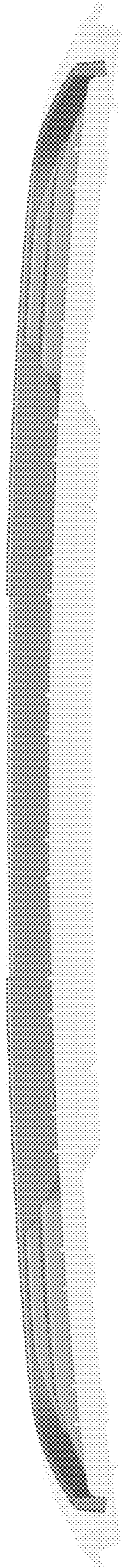


Fig. 5

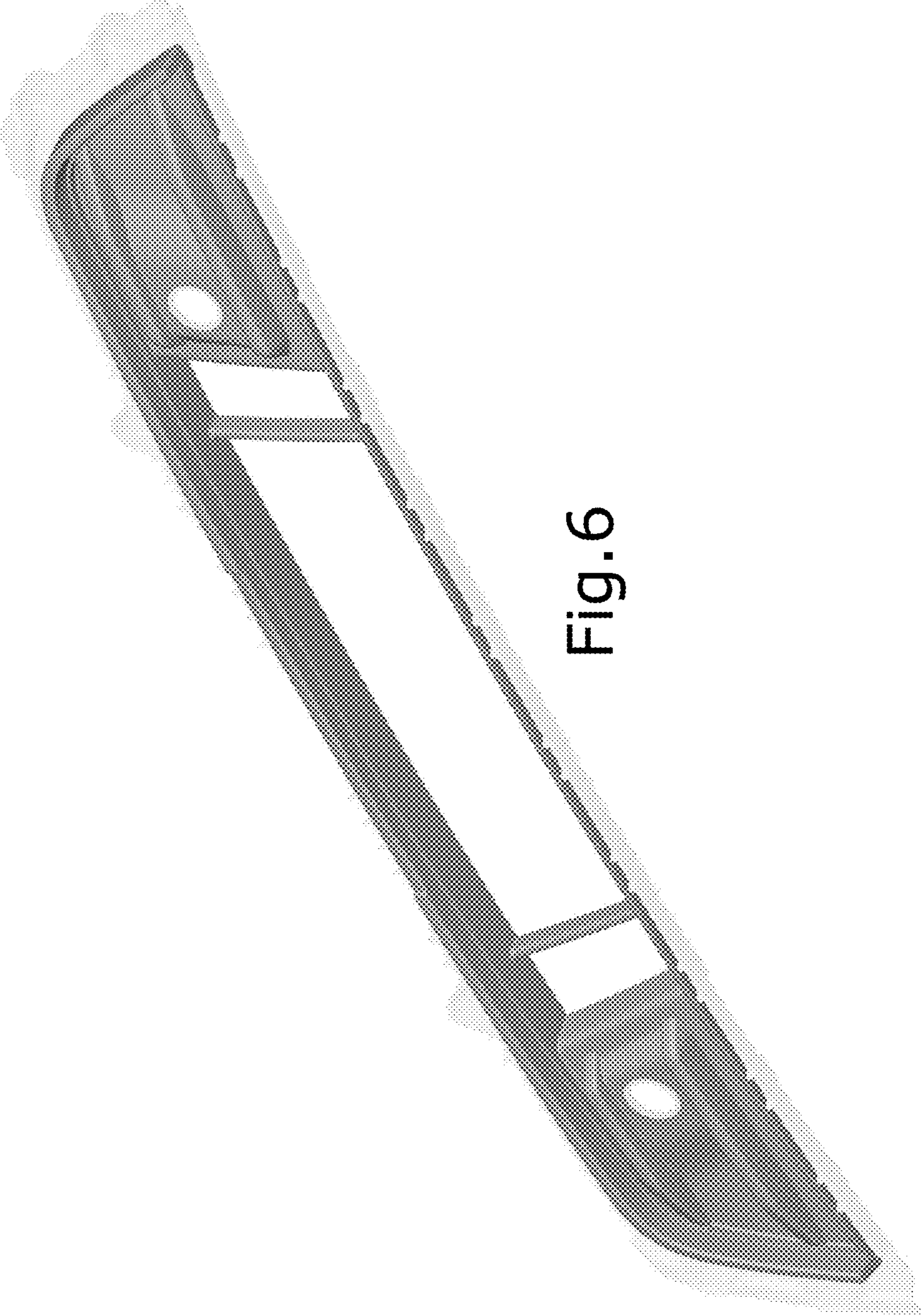


Fig. 6

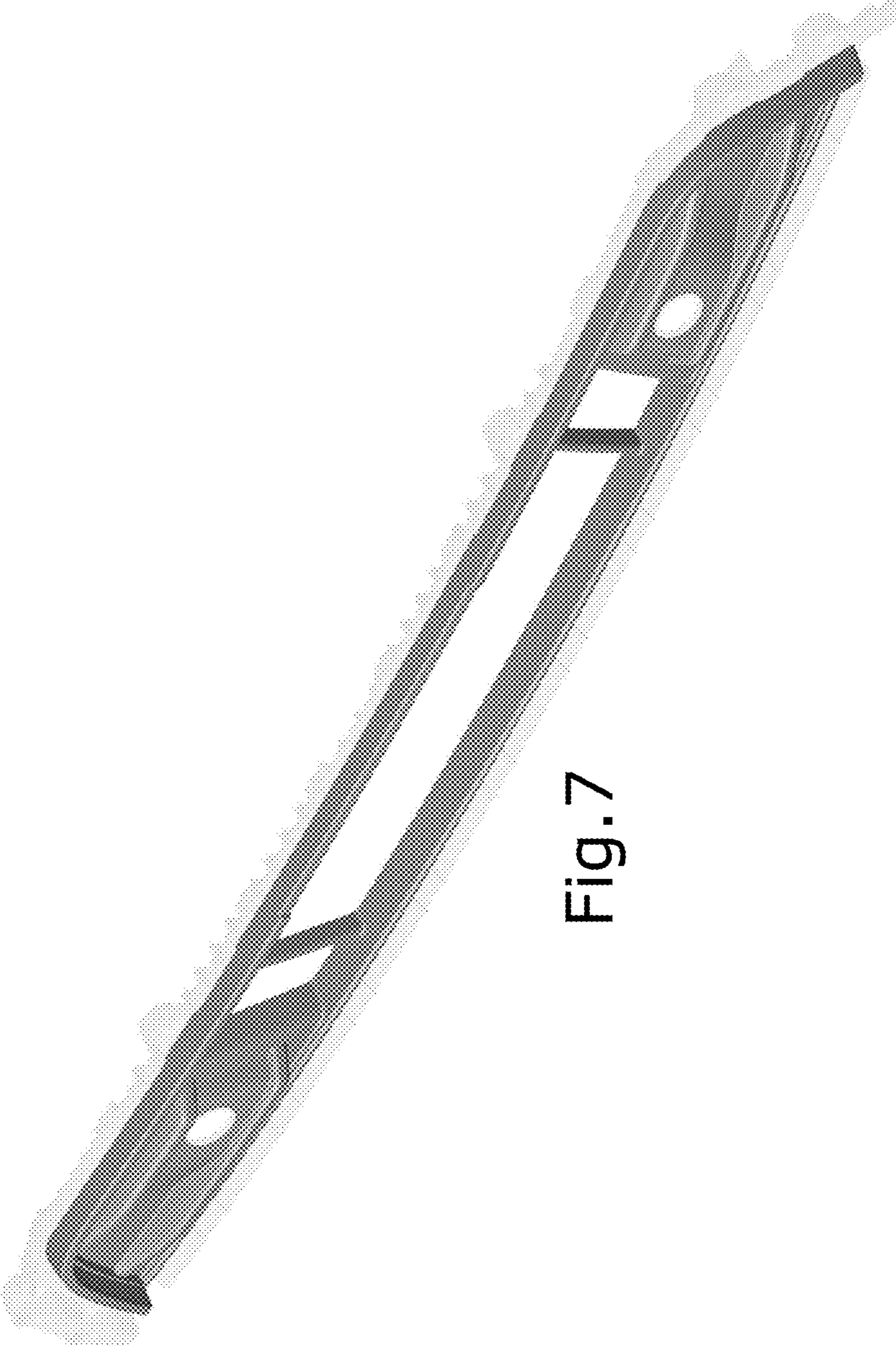


Fig. 7