



US00D987494S

(12) **United States Design Patent**
Willing et al.

(10) **Patent No.:** **US D987,494 S**

(45) **Date of Patent:** **** May 30, 2023**

- (54) **VEHICLE FRONT CENTER GRILLE**
- (71) Applicant: **Ford Global Technologies, LLC**,
Dearborn, MI (US)
- (72) Inventors: **Todd Willing**, Grosse Pointe, MI (US);
Max Wolff, Elsternwick (AU); **Max Tran**,
Pascoe Vale (AU); **Leigh H. Cosentino**,
Seddon (AU); **Tae Hoon Kang**, Essendon (AU);
Lee P. Imrie, Bundoora (AU)
- (73) Assignee: **Ford Global Technologies, LLC**,
Dearborn, MI (US)

D775,002 S	*	12/2016	Platto	D12/163
D805,967 S	*	12/2017	Platto	D12/163
D819,513 S	*	6/2018	Bucher	D12/163
D922,267 S	*	6/2021	Kaoud	D12/163
D936,530 S	*	11/2021	Kim	D12/163
D937,140 S	*	11/2021	Kim	D12/163
D940,607 S	*	1/2022	Park	D12/163
D958,705 S	*	7/2022	Kim	D12/163
D959,340 S	*	8/2022	Kim	D12/163
D959,341 S	*	8/2022	Kim	D12/163

* cited by examiner

Primary Examiner — Melody N Brown

(74) *Attorney, Agent, or Firm* — Vichit Chea

(**) Term: **15 Years**

(57) **CLAIM**

(21) Appl. No.: **29/814,400**

The ornamental design for a vehicle front center grille, as shown and described.

(22) Filed: **Nov. 5, 2021**

DESCRIPTION

(51) **LOC (14) Cl.** **12-16**

(52) **U.S. Cl.**
USPC **D12/163**

(58) **Field of Classification Search**
USPC D12/163, 196, 86, 90-92, 169, 164, 171;
293/193.11; 180/68.1, 68.6
CPC B62B 9/16; B60K 11/08; B62D 25/08;
B60R 19/52
See application file for complete search history.

FIG. 1 is a front elevational view of a vehicle front center grille, showing our new design;
FIG. 2 is a left side elevational view thereof;
FIG. 3 is a right side elevational view thereof;
FIG. 4 is a top plan view thereof;
FIG. 5 is a top, front and left side perspective view thereof;
and,
FIG. 6 is a bottom, front and left side perspective view thereof.

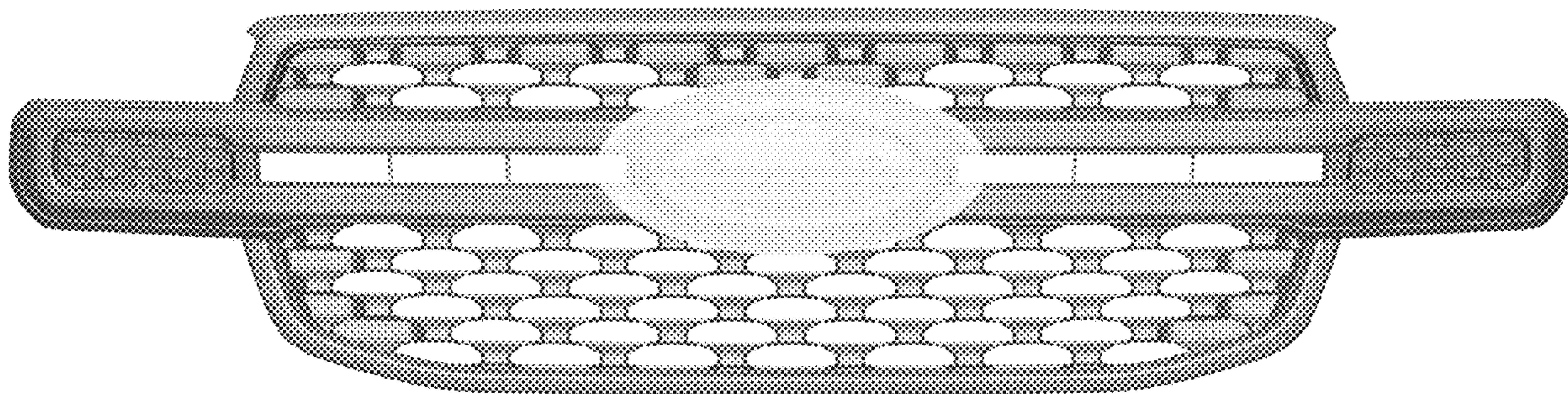
The claimed design is indicated by the relatively dark portions in the figures. The de-emphasized and relatively light portions form no part of the claimed design.

(56) **References Cited**

U.S. PATENT DOCUMENTS

D775,000 S	*	12/2016	Platto	D12/163
D775,001 S	*	12/2016	Platto	D12/163

1 Claim, 6 Drawing Sheets



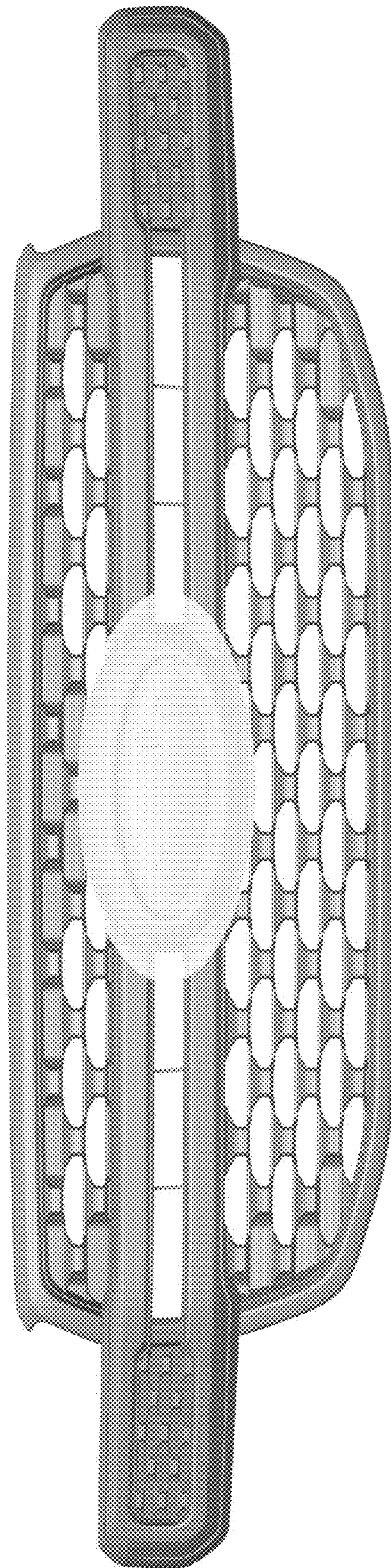


Fig. 1

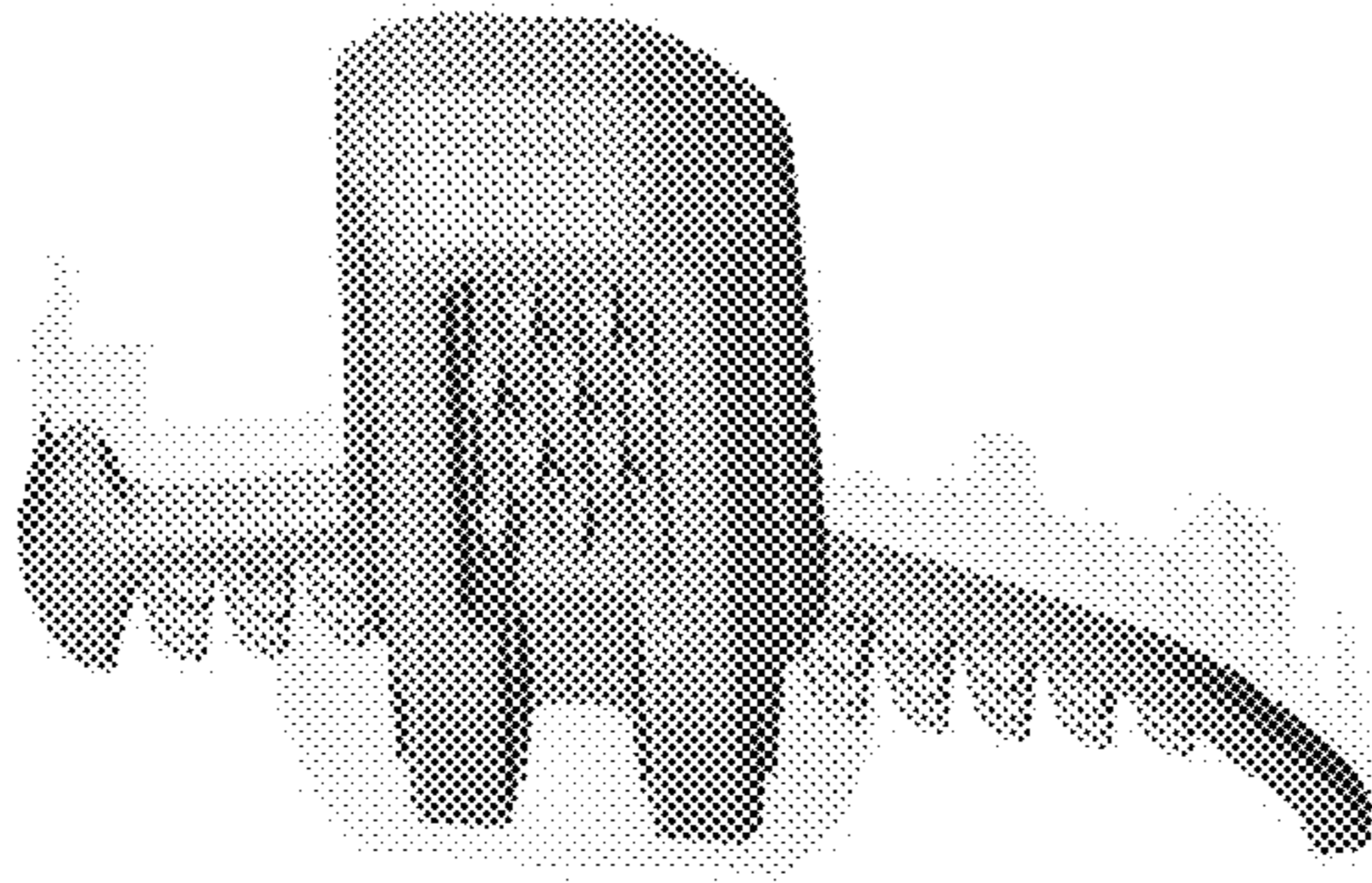


Fig.2

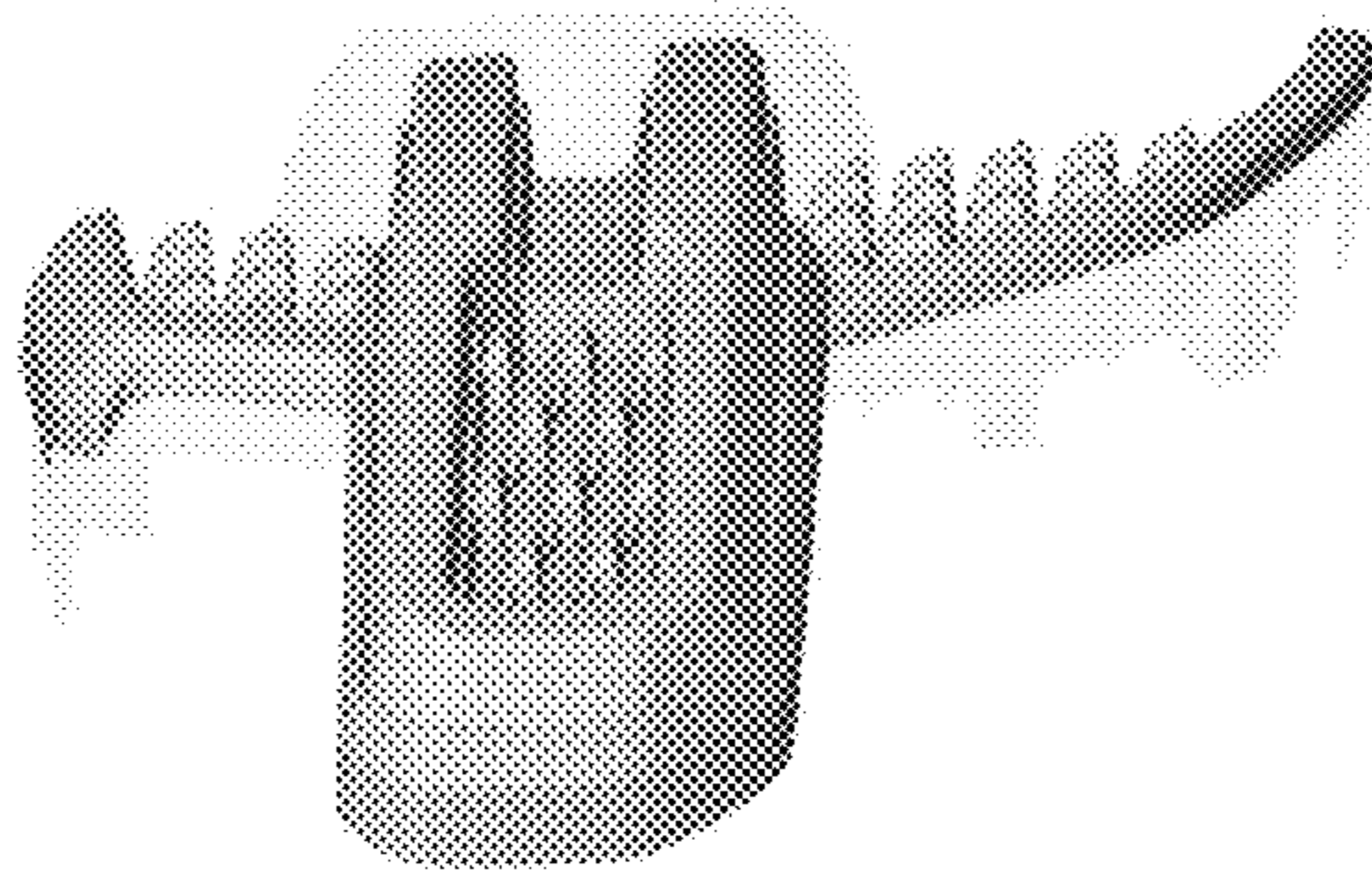


Fig. 3

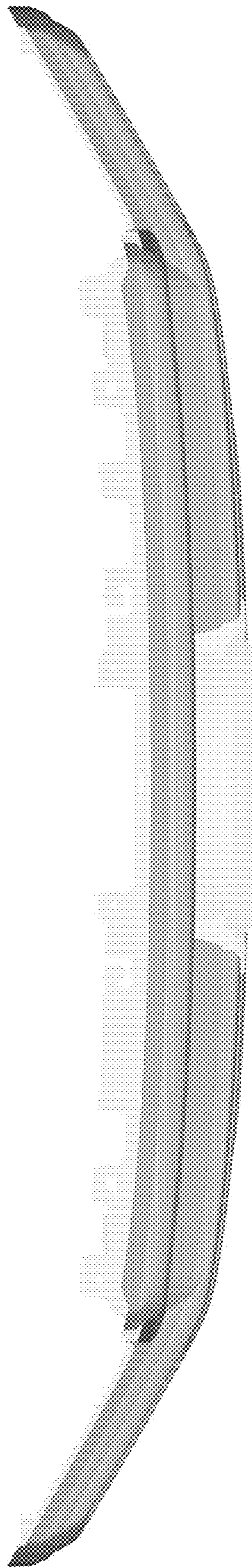


Fig.4

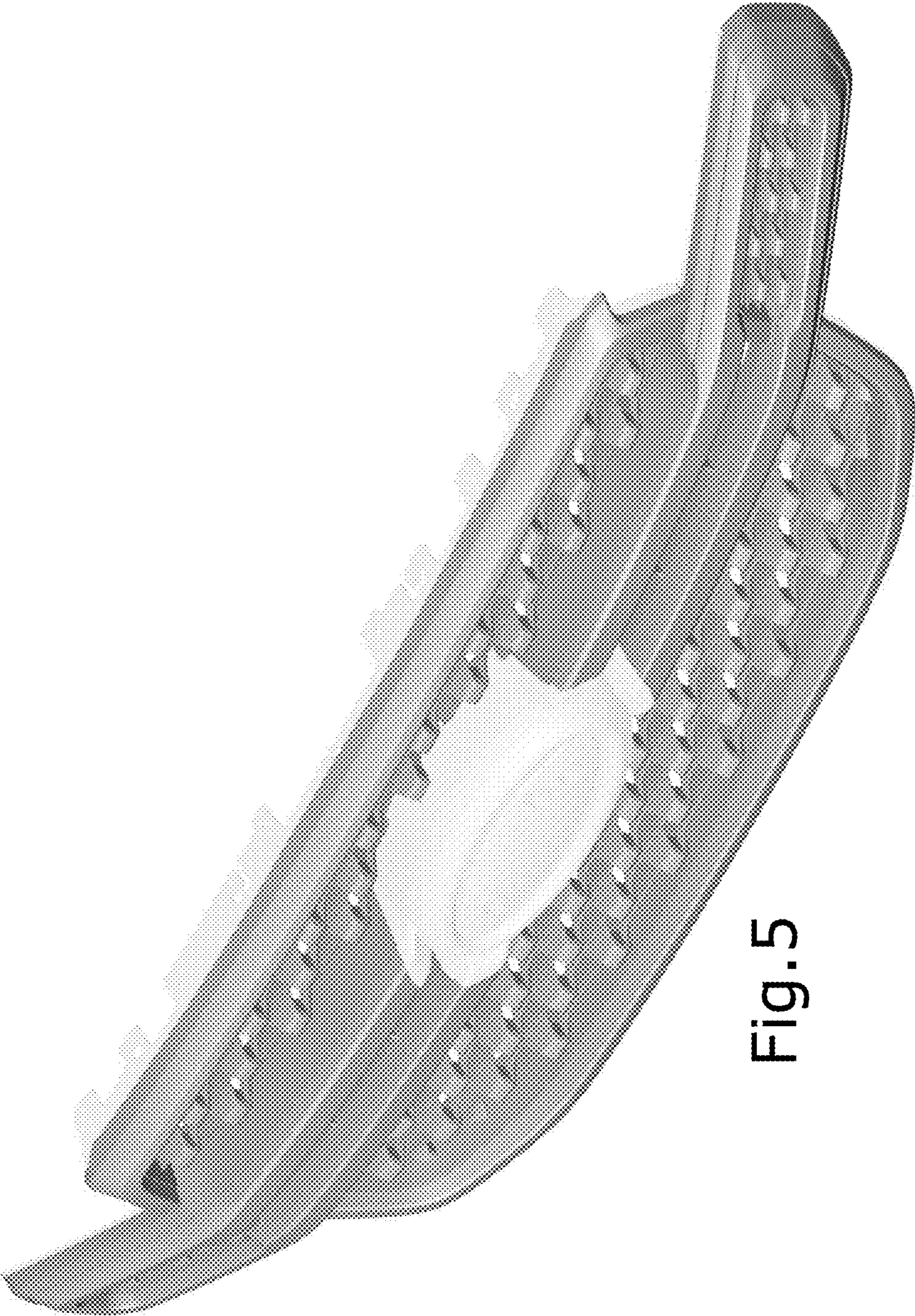


Fig. 5

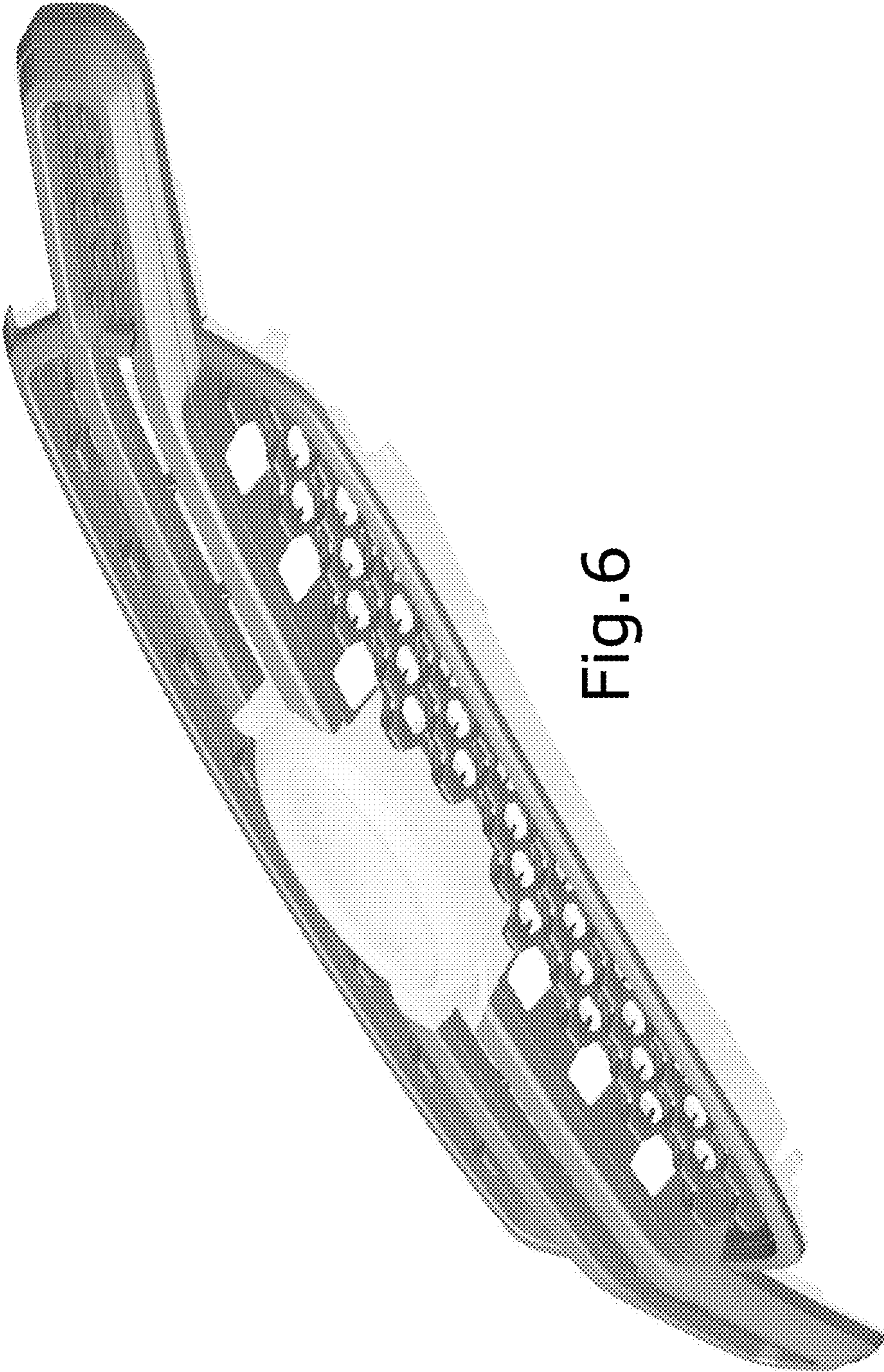


Fig. 6