



US00D987491S

(12) **United States Design Patent**
Thogersen

(10) **Patent No.:** **US D987,491 S**

(45) **Date of Patent:** **** May 30, 2023**

(54) **RADIATOR GRILLE FOR A VEHICLE**

(71) Applicant: **Bayerische Motoren Werke
Aktiengesellschaft, Munich (DE)**

(72) Inventor: **Anders Thogersen, Munich (DE)**

(73) Assignee: **Bayerische Motoren Werke
Aktiengesellschaft, Munich (DE)**

(**) Term: **15 Years**

(21) Appl. No.: **29/813,880**

(22) Filed: **Nov. 2, 2021**

(30) **Foreign Application Priority Data**

May 7, 2021 (DE) 402021100435.1

(51) **LOC (14) Cl.** **12-16**

(52) **U.S. Cl.**
USPC **D12/163**

(58) **Field of Classification Search**
USPC D12/163, 196, 86, 90-92, 169, 164, 171;
293/193.11; 180/68.1, 68.6
CPC B62B 9/16; B60K 11/08; B62D 25/08
See application file for complete search history.

(56) **References Cited**

U.S. PATENT DOCUMENTS

D818,890 S *	5/2018	Beermann	D12/163
D820,737 S	6/2018	Simm		
D821,274 S *	6/2018	Simm	D12/163
D823,737 S *	7/2018	Chang	D12/163
D825,383 S *	8/2018	Luk	D12/91
D835,546 S *	12/2018	Sarremejean	D12/91
D845,834 S *	4/2019	Sarremejean	D12/91
D855,496 S *	8/2019	Thogersen	D12/91
D858,371 S	9/2019	Sarremejean		
D859,227 S *	9/2019	Buckingham	D12/163

D873,725 S	1/2020	Thogersen		
D874,358 S *	2/2020	Kezha	D12/163
D874,359 S	2/2020	Karras		
D879,679 S *	3/2020	Kezha	D12/163
D890,639 S *	7/2020	Al Attar	D12/163
D891,317 S *	7/2020	Kang	D12/163
D898,630 S *	10/2020	Guille	D12/163
D926,643 S *	8/2021	Forrest	D12/163
D928,660 S *	8/2021	Lim	D12/92
D928,661 S *	8/2021	Lim	D12/163
D928,662 S *	8/2021	Lim	D12/163
D939,391 S *	12/2021	Lim	D12/163
D951,826 S *	5/2022	Forschner	D12/163
D968,277 S *	11/2022	Pena	D12/163
D969,037 S *	11/2022	Clottu	D12/163

* cited by examiner

Primary Examiner — Melody N Brown

(74) *Attorney, Agent, or Firm* — Crowell & Moring LLP

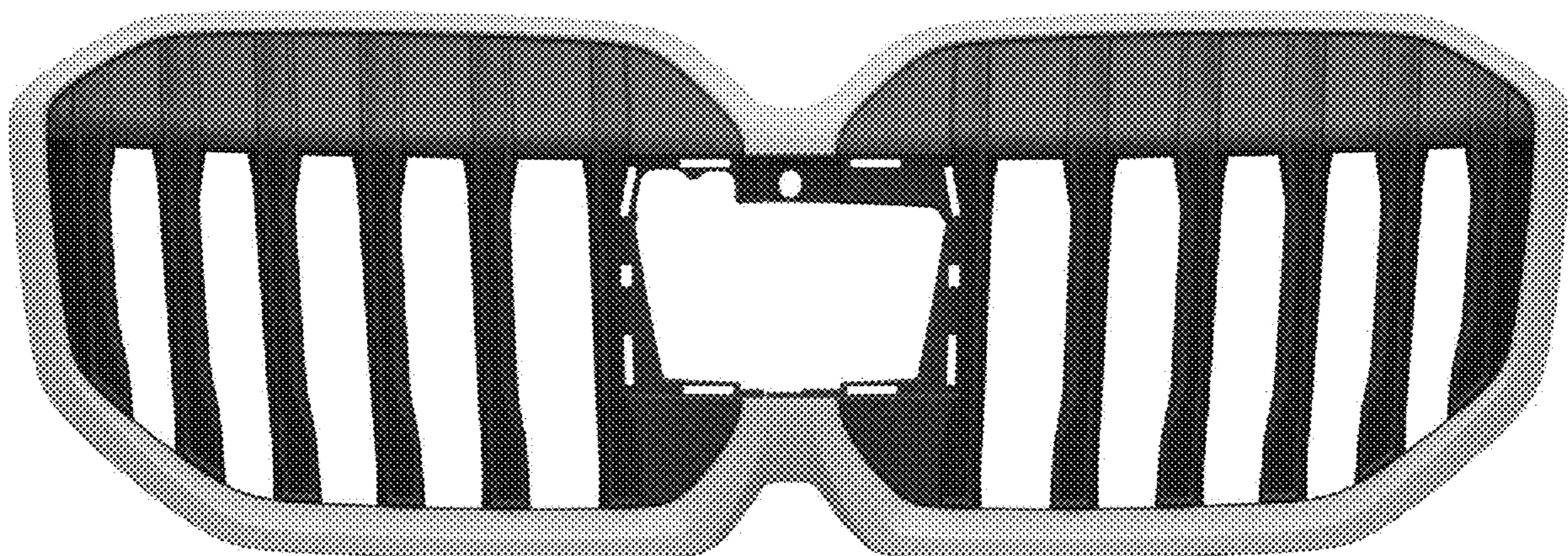
(57) **CLAIM**

The ornamental design for a radiator grille for a vehicle, as shown and described.

DESCRIPTION

This application contains subject matter related to the following co-pending U.S. design patent application: Application Ser. No. 29/813,873, filed herewith and entitled “Motor Vehicle, Toy Replica, and/or Other Replica”. FIG. 1 is a front view of a radiator grille for a vehicle according to the design; FIG. 2 is a right, front perspective view thereof; FIG. 3 is a left, bottom perspective view thereof; FIG. 4 is a right side view thereof; FIG. 5 is a left side view thereof; FIG. 6 is a top view thereof; FIG. 7 is a bottom view thereof; and, FIG. 8 is a rear view thereof.

1 Claim, 8 Drawing Sheets



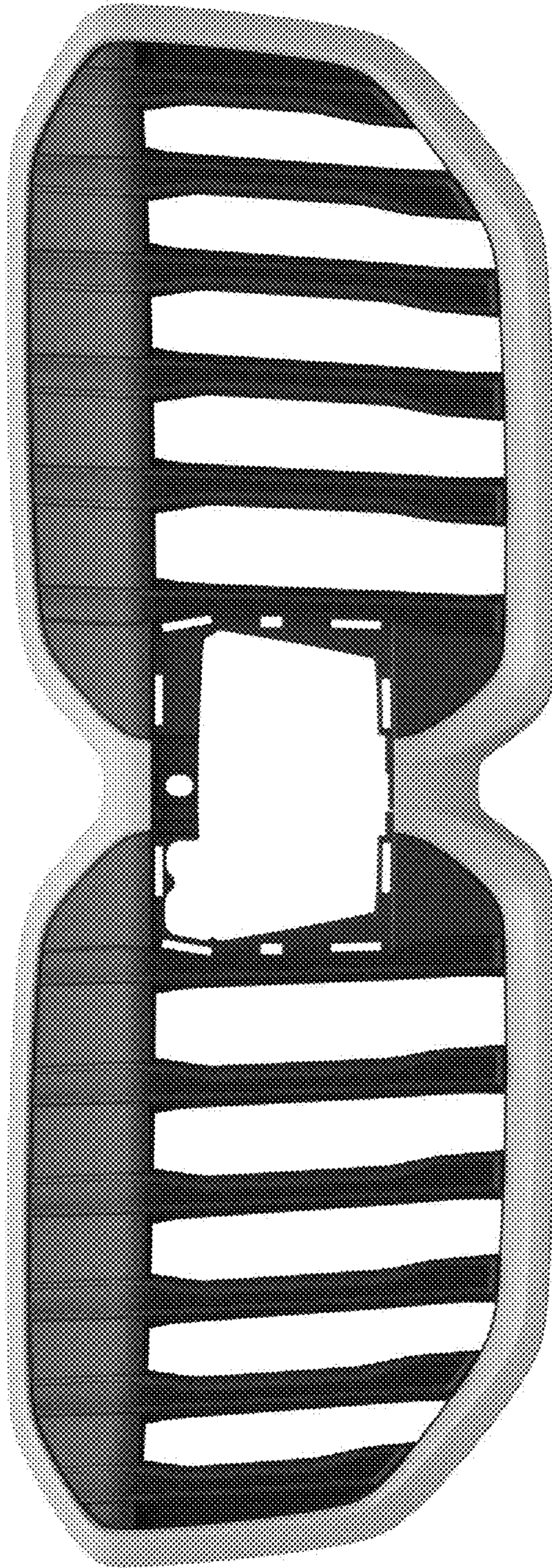


Fig. 1

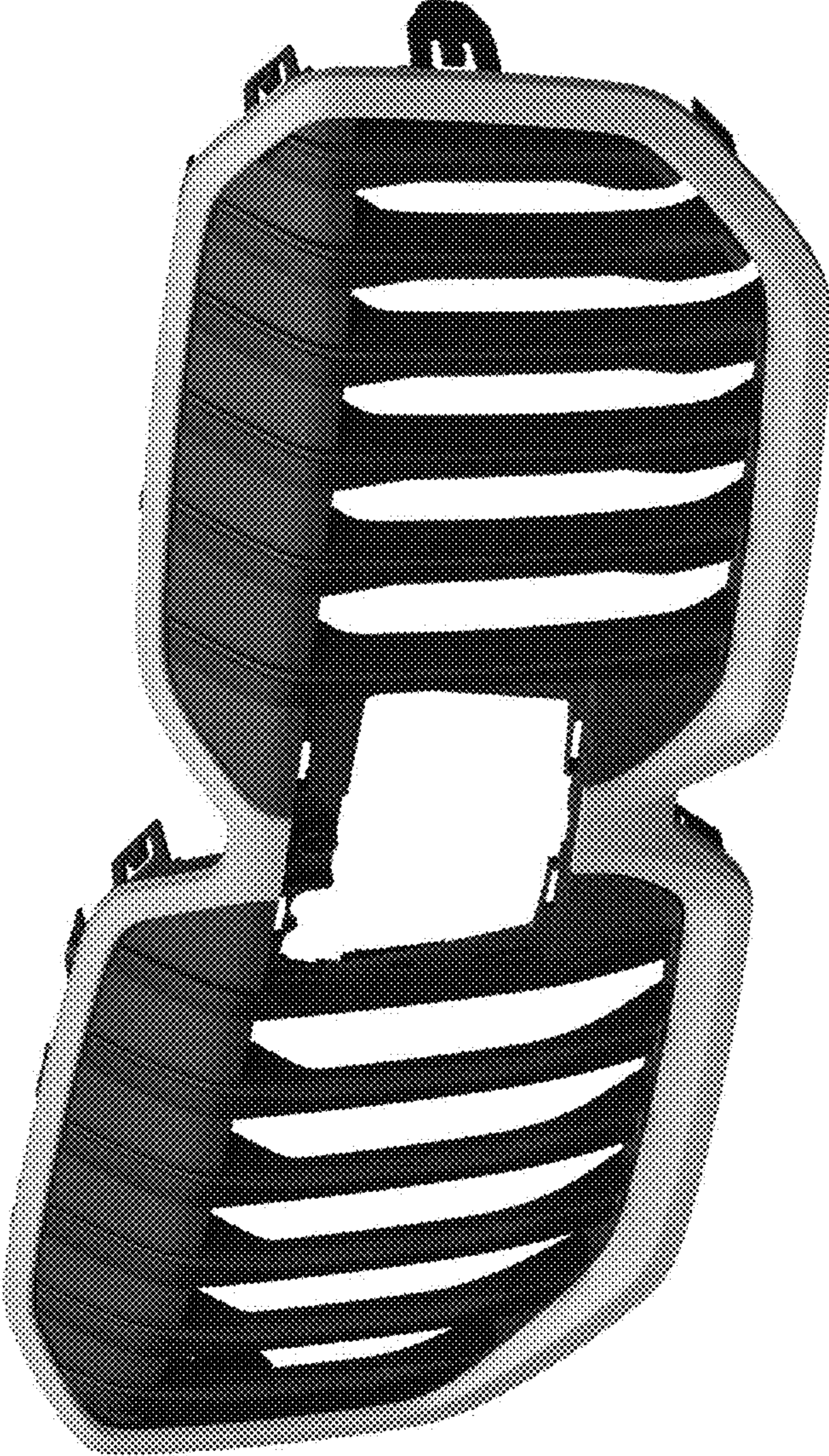


Fig. 2



Fig. 3

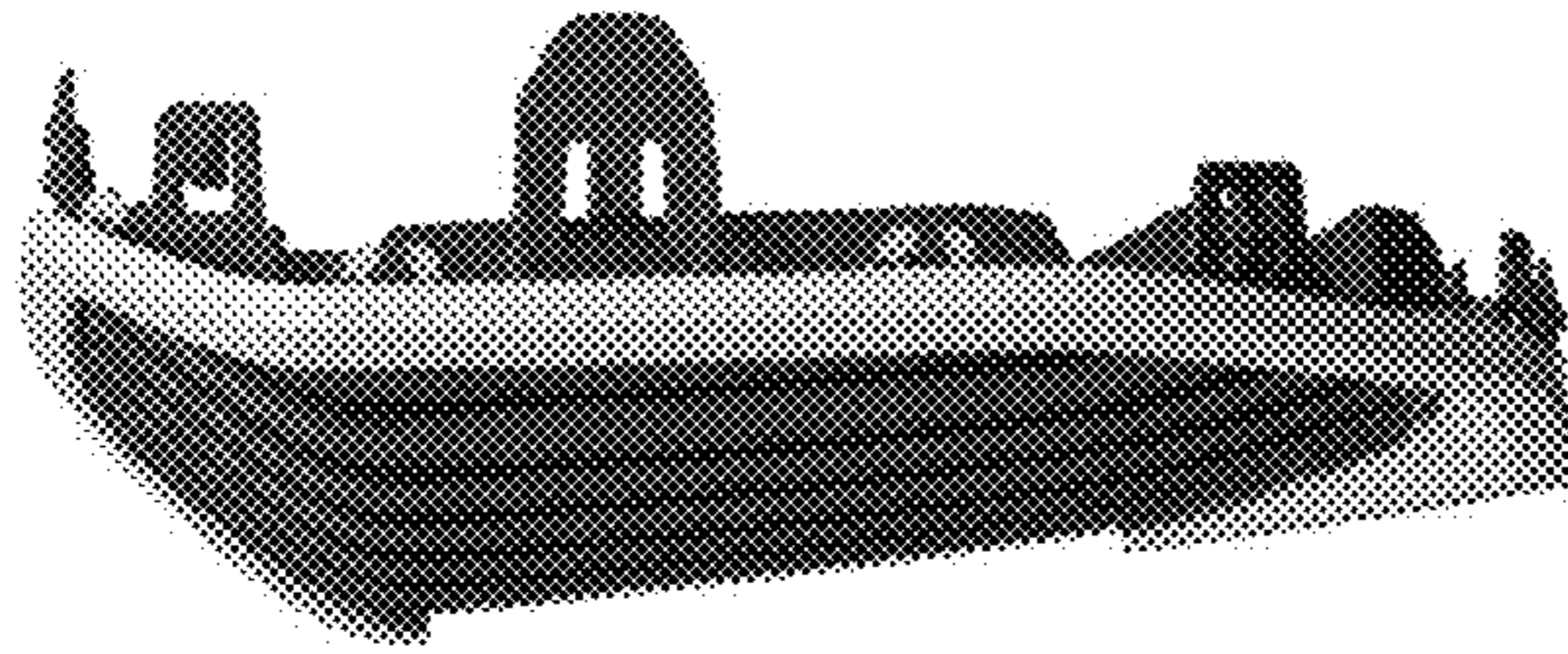


Fig. 4

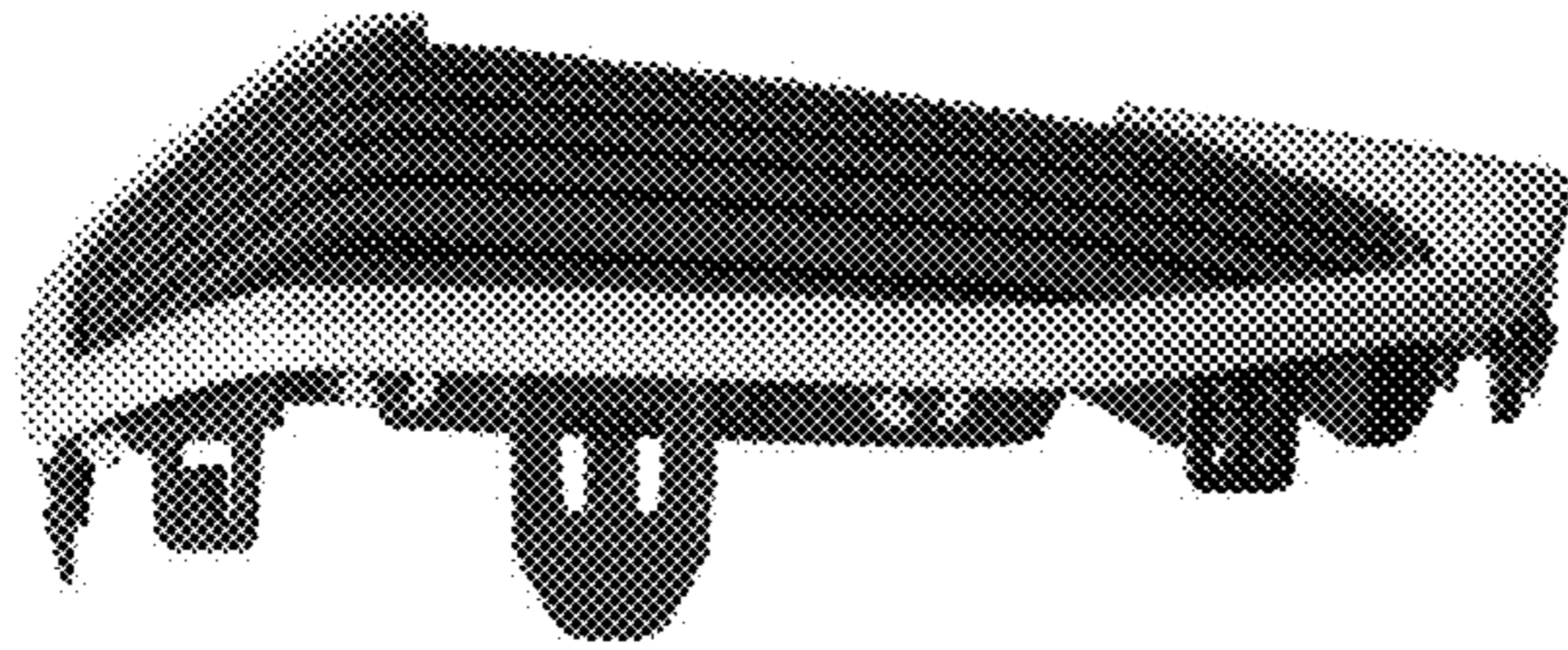


Fig. 5

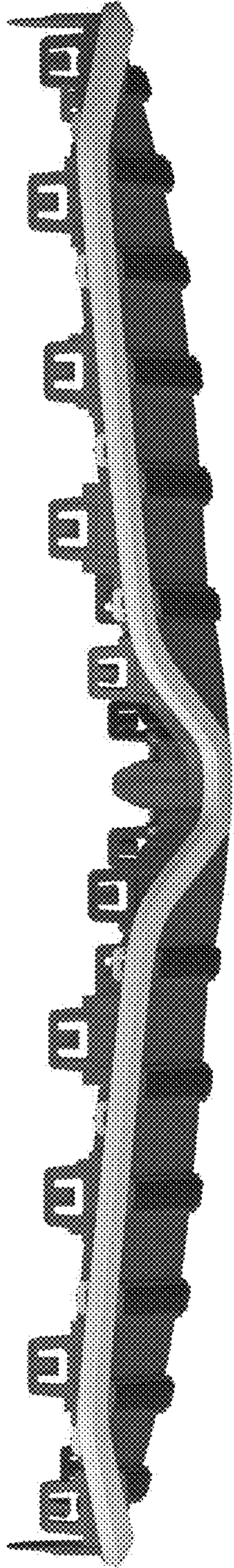


Fig. 6

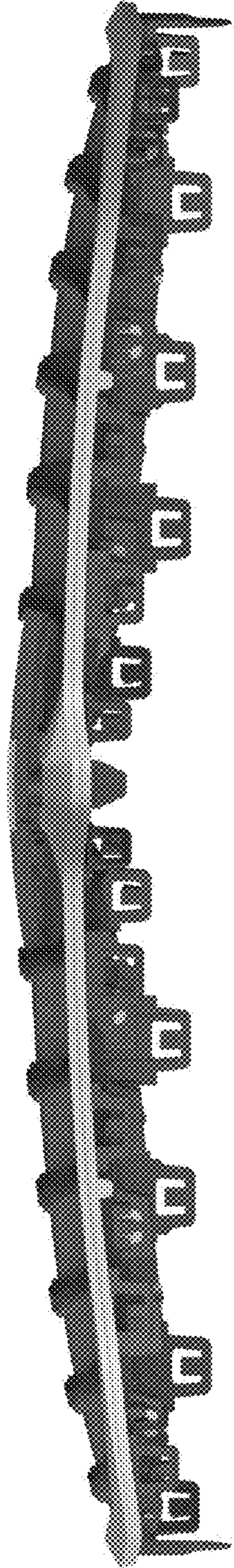


Fig. 7

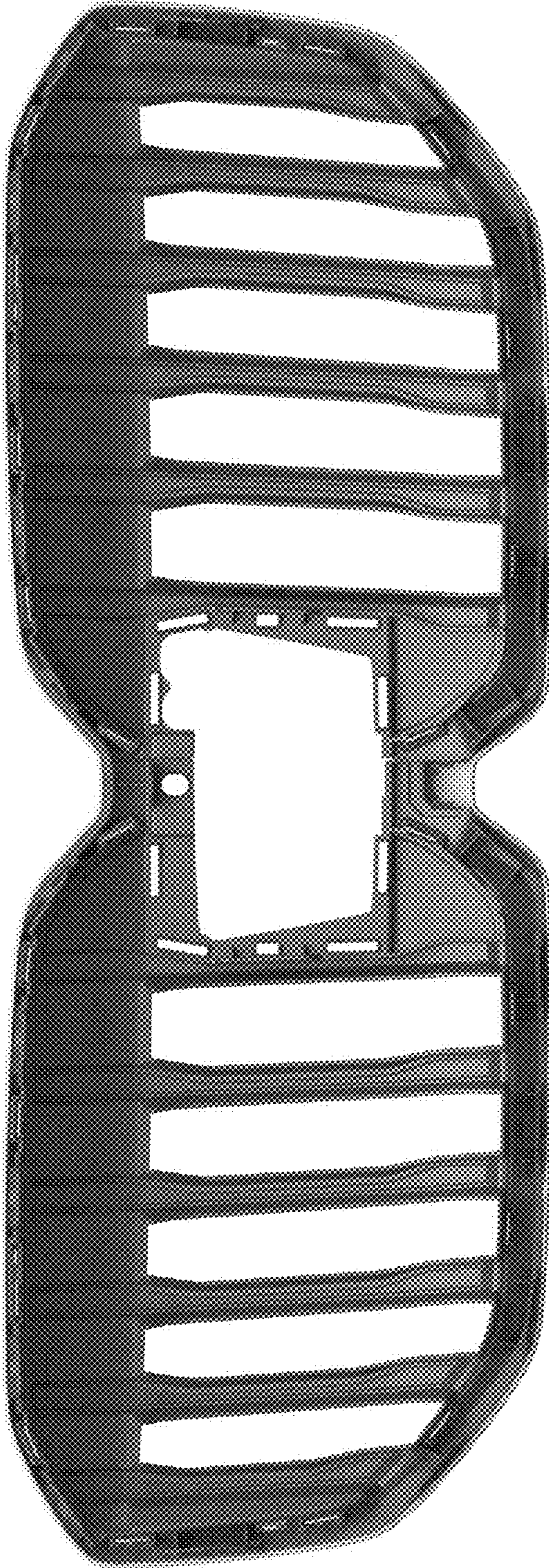


Fig. 8