



US00D987489S

(12) **United States Design Patent** (10) **Patent No.:** **US D987,489 S**
Akasawa (45) **Date of Patent:** **** May 30, 2023**

(54) **FRONT GRILLE FOR VEHICLE**
(71) Applicant: **NISSAN MOTORSPORTS AND CUSTOMIZING CO., LTD.,**
Kanagawa (JP)
(72) Inventor: **Kenichi Akasawa,** Kanagawa (JP)
(73) Assignee: **NISSAN MOTORSPORTS AND CUSTOMIZING CO., LTD.,**
Kanagawa (JP)

D783,465 S * 4/2017 Choi D12/163
D789,844 S * 6/2017 Sakai D12/163
D809,979 S * 2/2018 Tanaka D12/163
D818,885 S * 5/2018 Seo D12/163
D818,887 S * 5/2018 Choi D12/163
D818,888 S * 5/2018 Koizumi D12/163
D818,891 S * 5/2018 Minamiyama D12/163
D819,508 S * 6/2018 Ino D12/163
D819,509 S * 6/2018 Tanaka D12/163
D830,249 S * 10/2018 Zhang D12/169
D830,251 S * 10/2018 Komuro D12/169
D854,972 S * 7/2019 Suzuki D12/163
D870,000 S * 12/2019 Joudo D12/163

(**) Term: **15 Years**

* cited by examiner

(21) Appl. No.: **29/812,984**

Primary Examiner — Melody N Brown

(22) Filed: **Oct. 26, 2021**

(74) *Attorney, Agent, or Firm* — Wenderoth, Lind & Ponack, L.L.P.

(30) **Foreign Application Priority Data**

Sep. 10, 2021 (JP) 2021-019715D

(51) **LOC (14) Cl.** **12-16**

(52) **U.S. Cl.**
USPC **D12/163**

(58) **Field of Classification Search**
USPC D12/169, 196, 86, 90-92, 163, 190, 98,
D12/164, 84, 100; 293/102, 113, 115,
293/117, 120, 193.11; 296/180.1, 180.2;
180/68.1, 68.6
CPC B60R 19/52; B60K 11/08; B62D 25/08;
B62B 9/16
See application file for complete search history.

(56) **References Cited**

U.S. PATENT DOCUMENTS

D734,693 S * 7/2015 Koizumi D12/163
D774,999 S * 12/2016 Liu D12/163

(57) **CLAIM**

The ornamental design for a front grille for vehicle, as shown and described.

DESCRIPTION

FIG. 1 is a front view of a front grille for vehicle showing my new design;

FIG. 2 is a rear view thereof;

FIG. 3 is a left side view thereof;

FIG. 4 is a right side view thereof;

FIG. 5 is a top plan view thereof;

FIG. 6 is a bottom plan view thereof; and,

FIG. 7 is a front perspective view thereof.

1 Claim, 7 Drawing Sheets

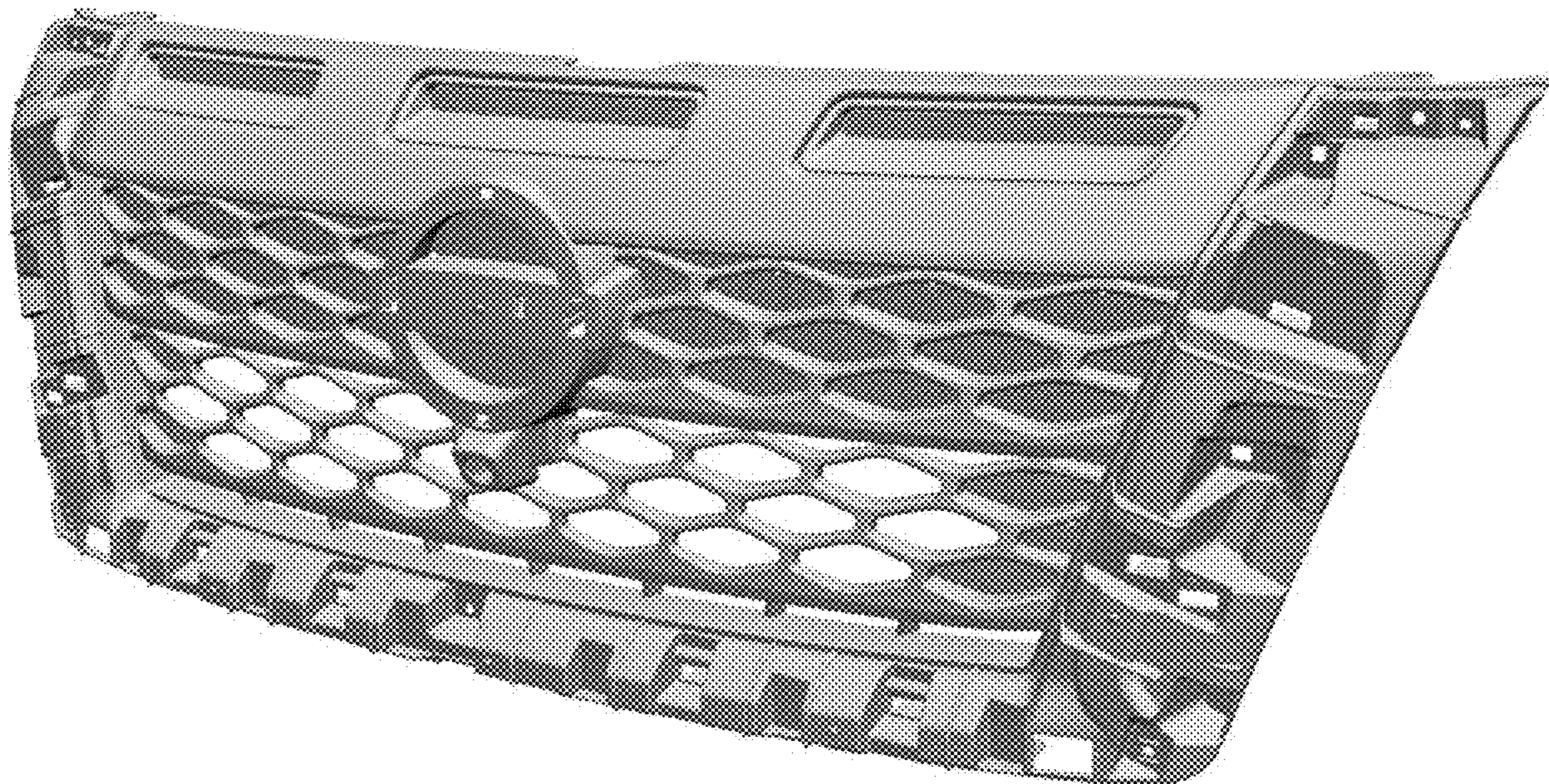


FIG. 1

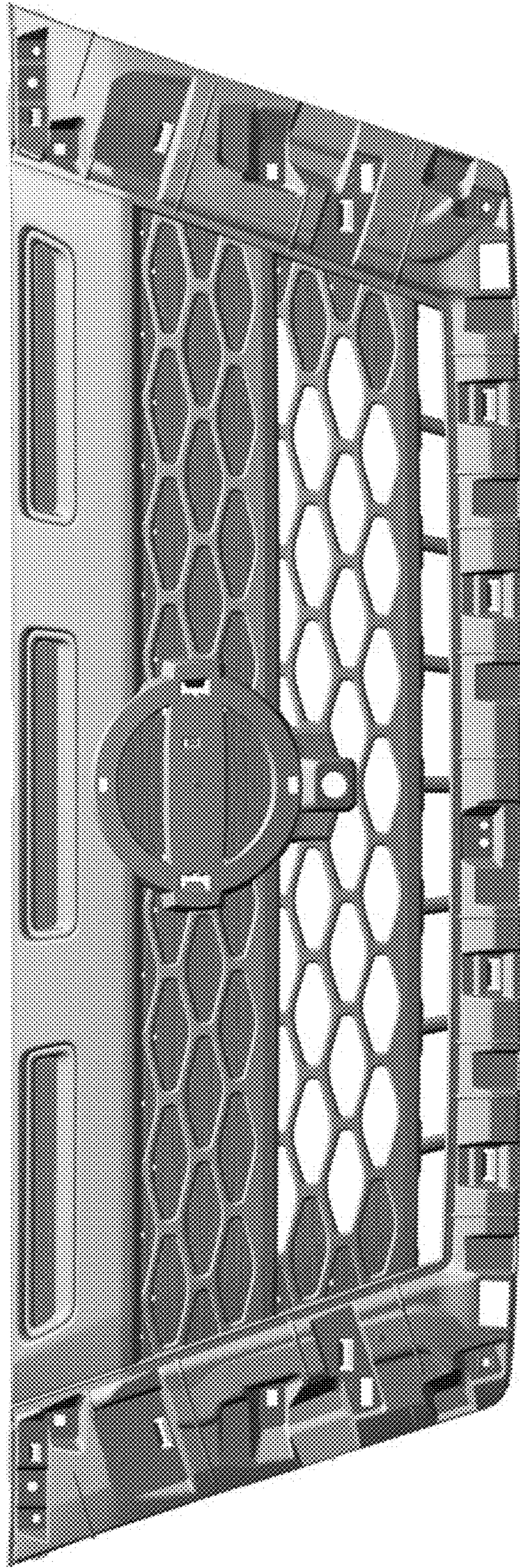
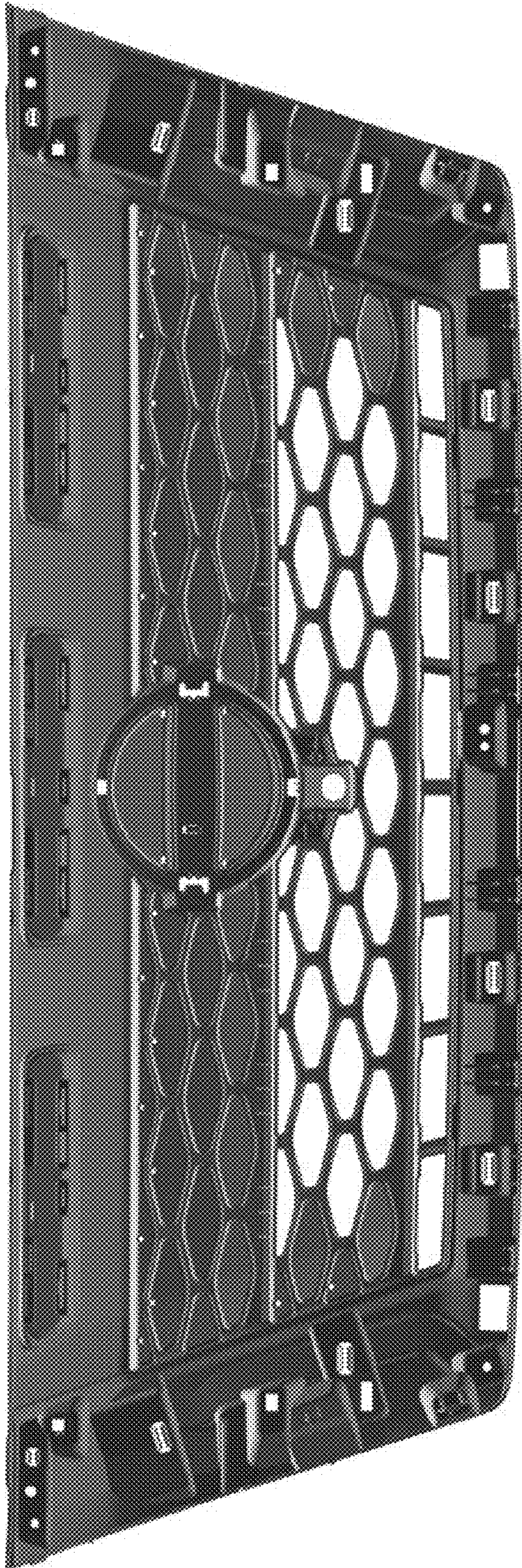


FIG. 2



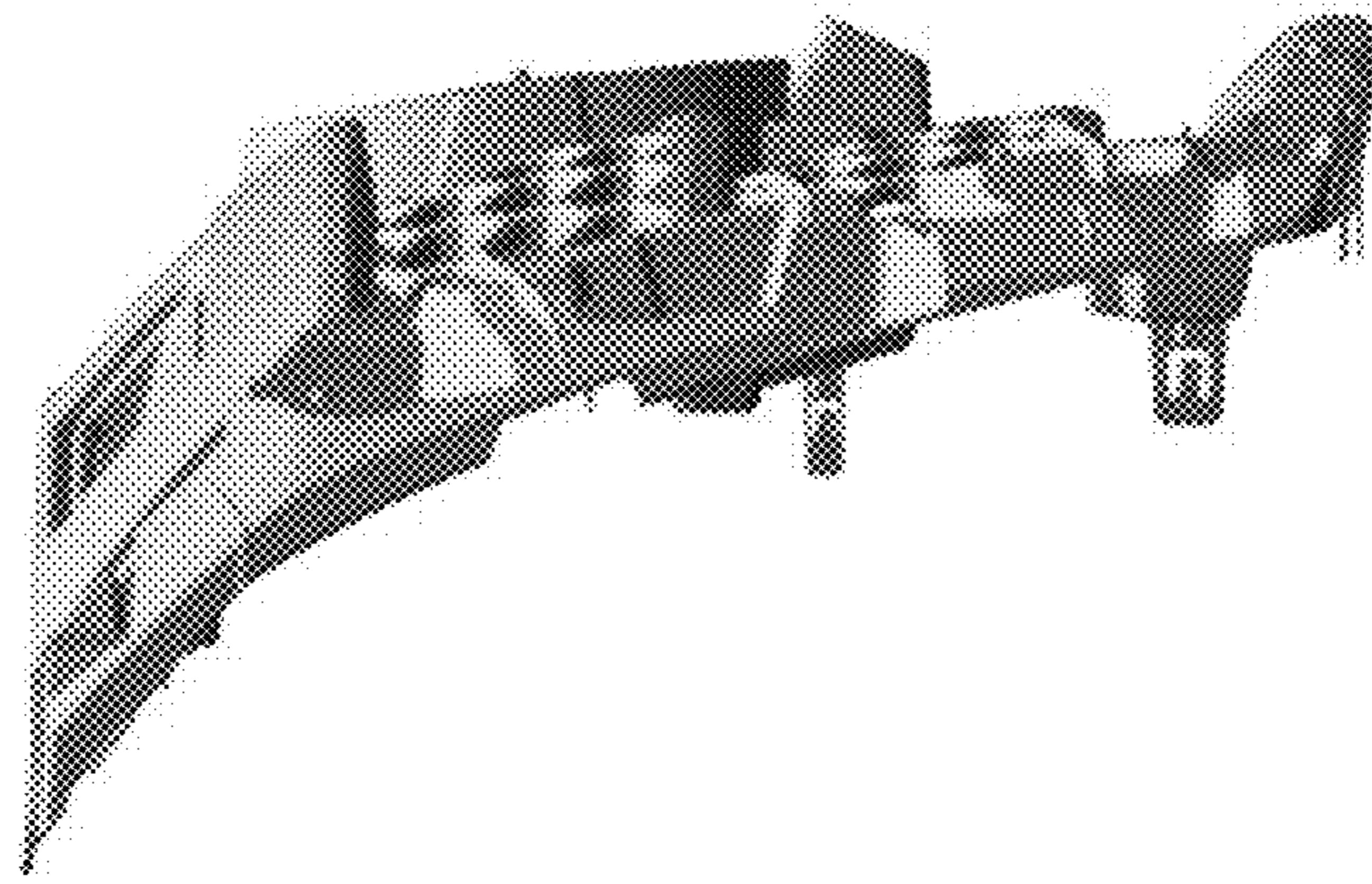


FIG. 3

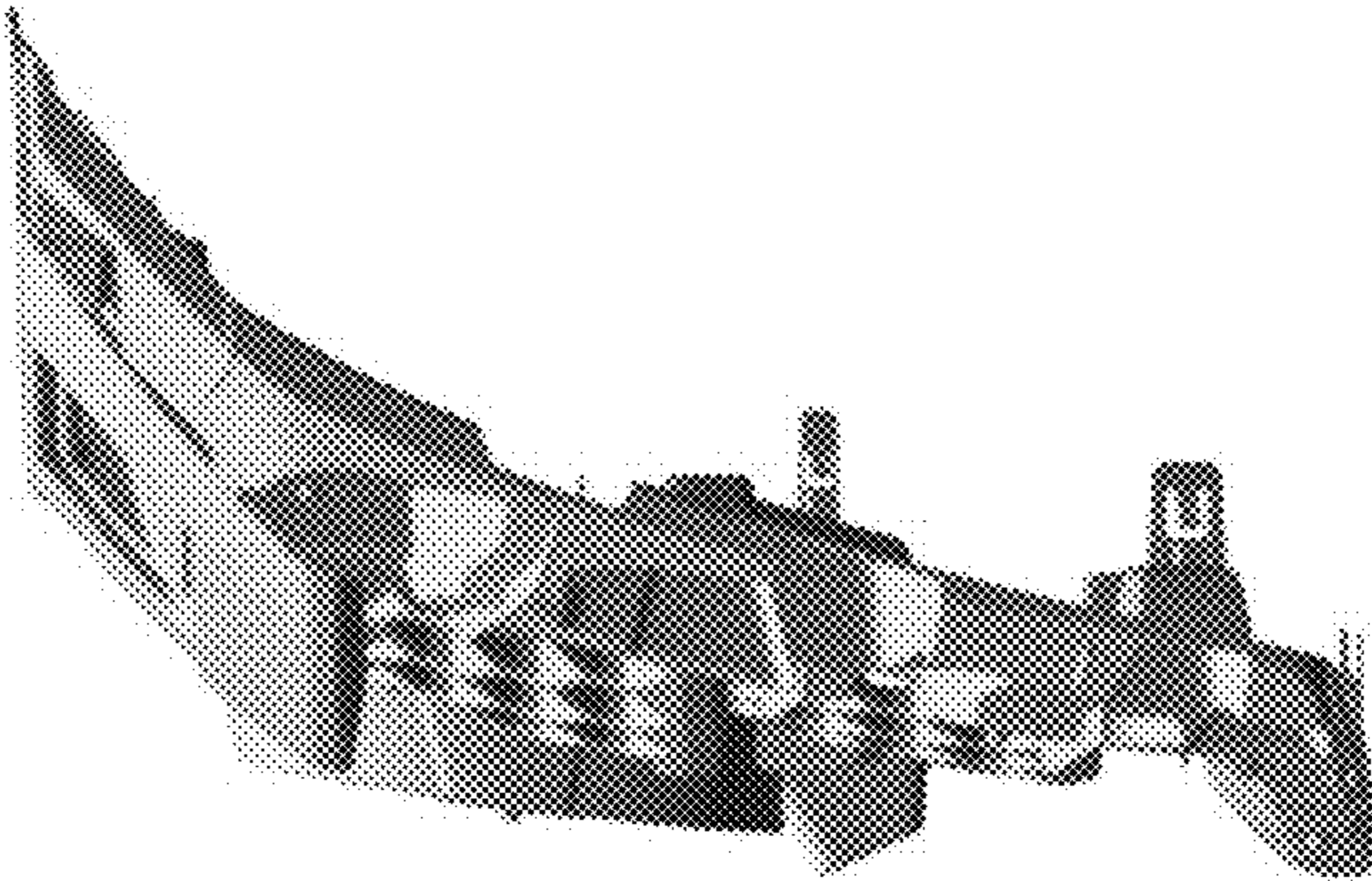


FIG. 4

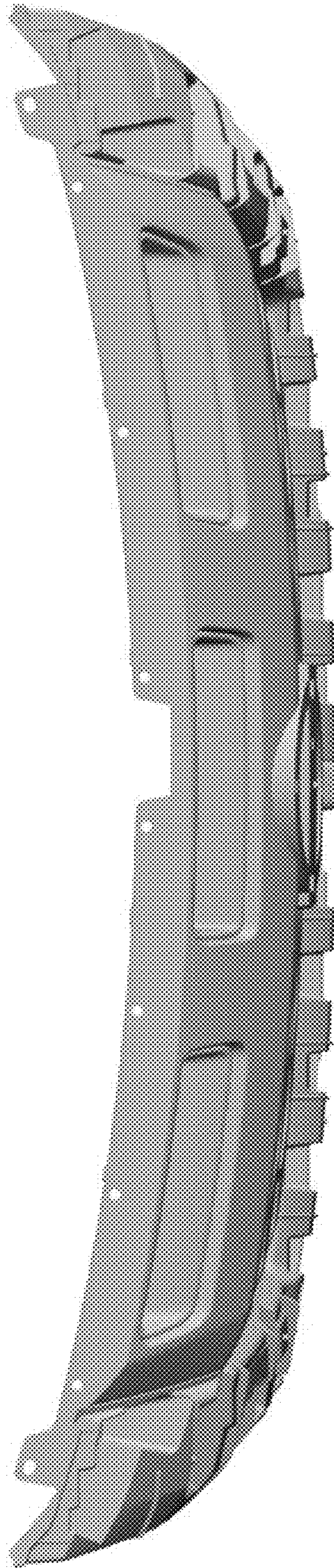


FIG. 5

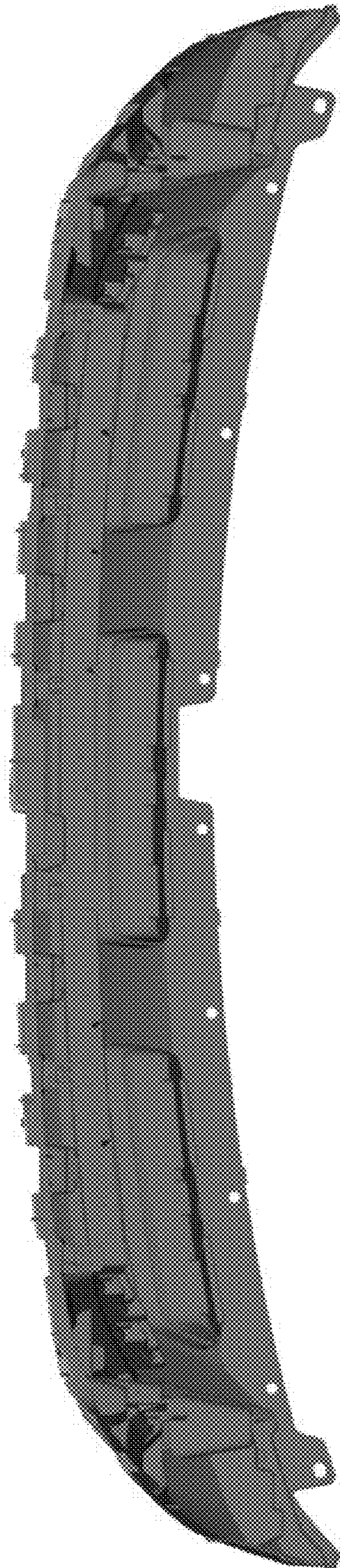


FIG. 6

FIG. 7

