



US00D987487S

(12) **United States Design Patent** (10) **Patent No.:** **US D987,487 S**
Rayne (45) **Date of Patent:** **** *May 30, 2023**

- (54) **WALKING FRAME**
- (71) Applicant: **Damian Rayne**, London (GB)
- (72) Inventor: **Damian Rayne**, London (GB)
- (*) Notice: This patent is subject to a terminal disclaimer.
- (**) Term: **15 Years**
- (21) Appl. No.: **29/709,854**
- (22) Filed: **Oct. 17, 2019**

2013/0038036 A1 2/2013 Lester
 2013/0228989 A1 9/2013 Horst
 2016/0137258 A1 5/2016 Alvarez-icaza et al.

FOREIGN PATENT DOCUMENTS

DE 8527278 U 11/1985
 DE 9114389 U 4/1992
 DE 10318879 A1 11/2004

(Continued)

OTHER PUBLICATIONS

PCT, "International Search Report and Written Opinion", Application No. PCT/EP2018/078436, dated Feb. 5, 2019, 26 pages.
 U.S. Appl. No. 29/709,841, filed Oct. 17, 2019.

Primary Examiner — Charles D Hanson
 (74) *Attorney, Agent, or Firm* — Dorsey & Whitney LLP

- (30) **Foreign Application Priority Data**
- Apr. 18, 2019 (EM) 006383253
- (51) **LOC (14) Cl.** **12-12**
- (52) **U.S. Cl.**
- USPC **D12/129**
- (58) **Field of Classification Search**
- USPC D12/128–133
- CPC B62B 7/00–04; B62B 9/00–28
- See application file for complete search history.

(57) **CLAIM**

The ornamental design for a walking frame, as shown and described.

DESCRIPTION

FIG. 1 is a front perspective view of a walking frame.
 FIG. 2 is a front view of the walking frame of FIG. 1.
 FIG. 3 is a rear view of the walking frame of FIG. 1.
 FIG. 4 is a right side view of the walking frame of FIG. 1.
 FIG. 5 is a left side view of the walking frame of FIG. 1.
 FIG. 6 is a top view of the walking frame of FIG. 1; and,
 FIG. 7 is a bottom view of the walking frame of FIG. 1.
 The broken lines in FIGS. 1-7 illustrate environment and boundaries of the walking frame and form no part of the claim.

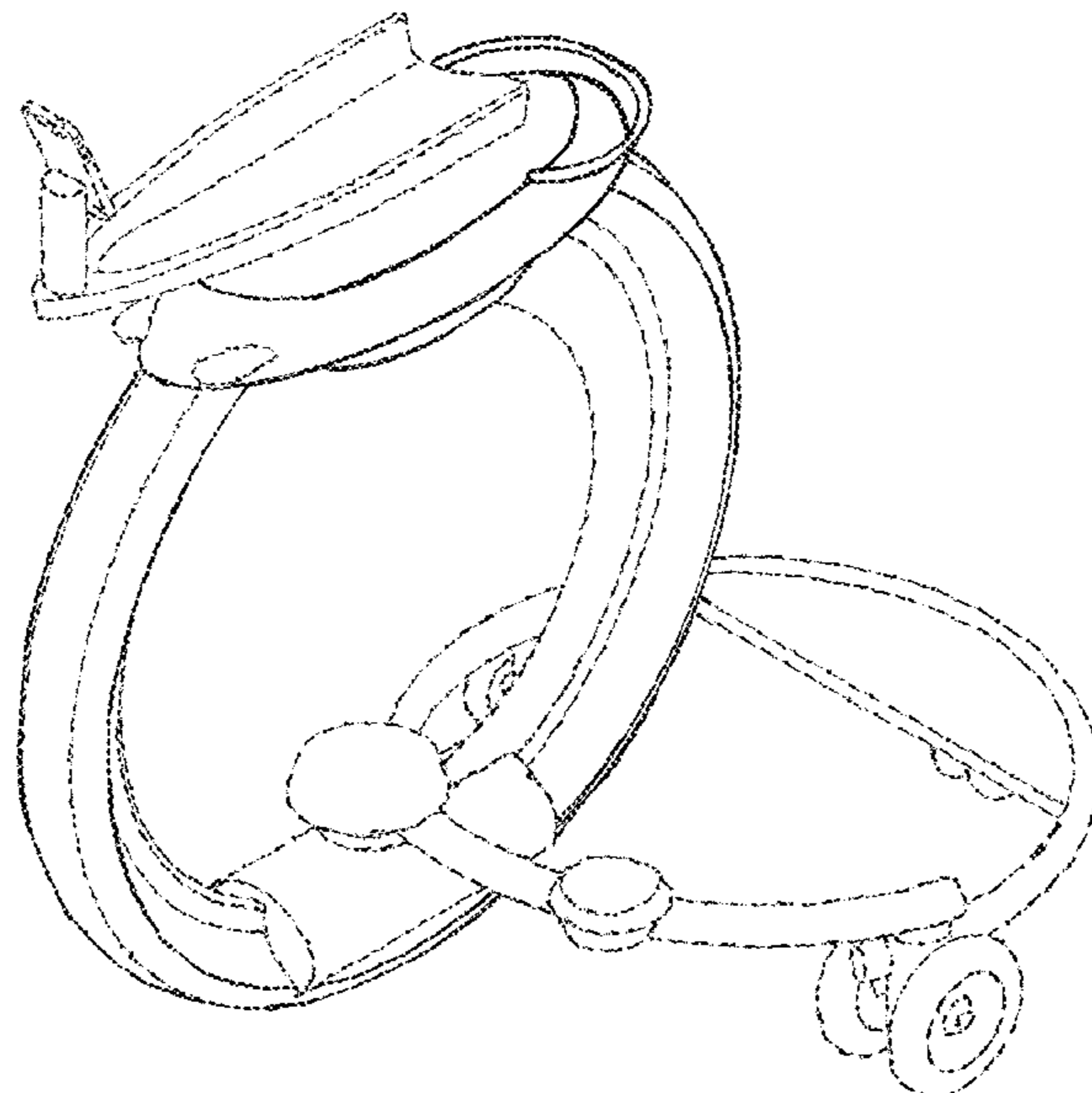
Any combination of the illustrated features may be claimed in this application or a continuing application claiming priority to this application by converting any of the solid lines to broken lines, any of the broken lines to solid lines, or any combination thereof.

(56) **References Cited**

U.S. PATENT DOCUMENTS

- 5,062,651 A 11/1991 Varieur
- 5,106,108 A 4/1992 Howell
- 5,318,311 A 6/1994 Bofill
- 5,511,802 A 4/1996 Aitken
- 5,669,619 A 9/1997 Kim
- 5,884,920 A 3/1999 Seto
- D583,300 S * 12/2008 Rancati D12/501
- D615,909 S * 5/2010 Thorne D12/129
- D702,052 S * 4/2014 Wiegmann D6/344
- 9,757,660 B2 * 9/2017 Leibovics F16M 13/04
- D843,272 S * 3/2019 Nix D12/133
- D845,840 S * 4/2019 Talios D12/129
- 2005/0057021 A1 3/2005 Miyoshi
- 2006/0157953 A1 7/2006 Goertzen et al.

1 Claim, 7 Drawing Sheets



(56)

References Cited

FOREIGN PATENT DOCUMENTS

EP	1582433	A1	10/2005
FR	2985453	A1	7/2013
GB	2516525	A	1/2015
GB	2520534	A	5/2015
JP	2001095865	A	4/2001
KR	100690192	B1	2/2007
KR	101477459	B1	12/2014
WO	9200866	A1	1/1992
WO	2007056778	A1	5/2007
WO	2013162354	A2	10/2013

* cited by examiner

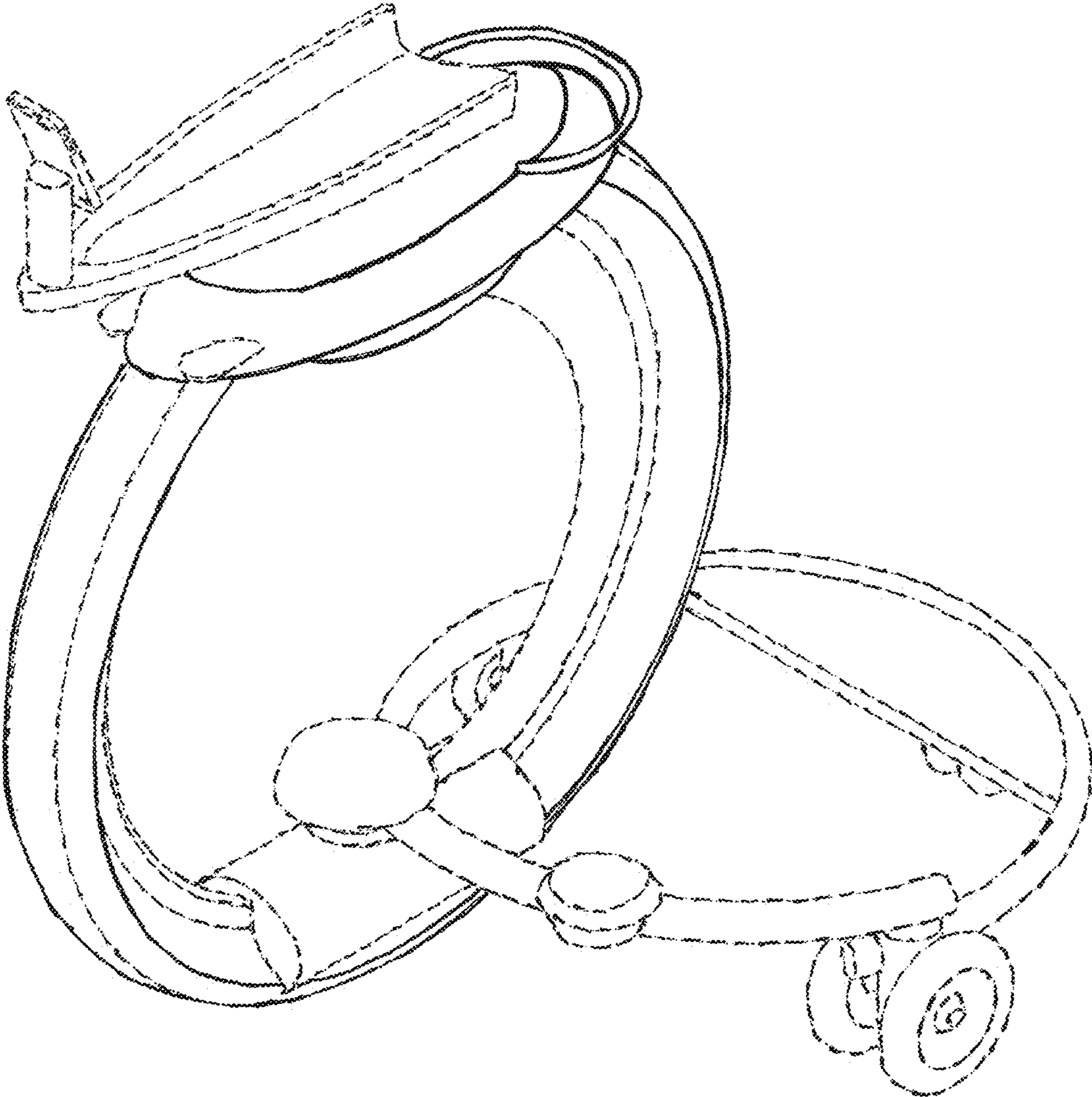


FIG. 1

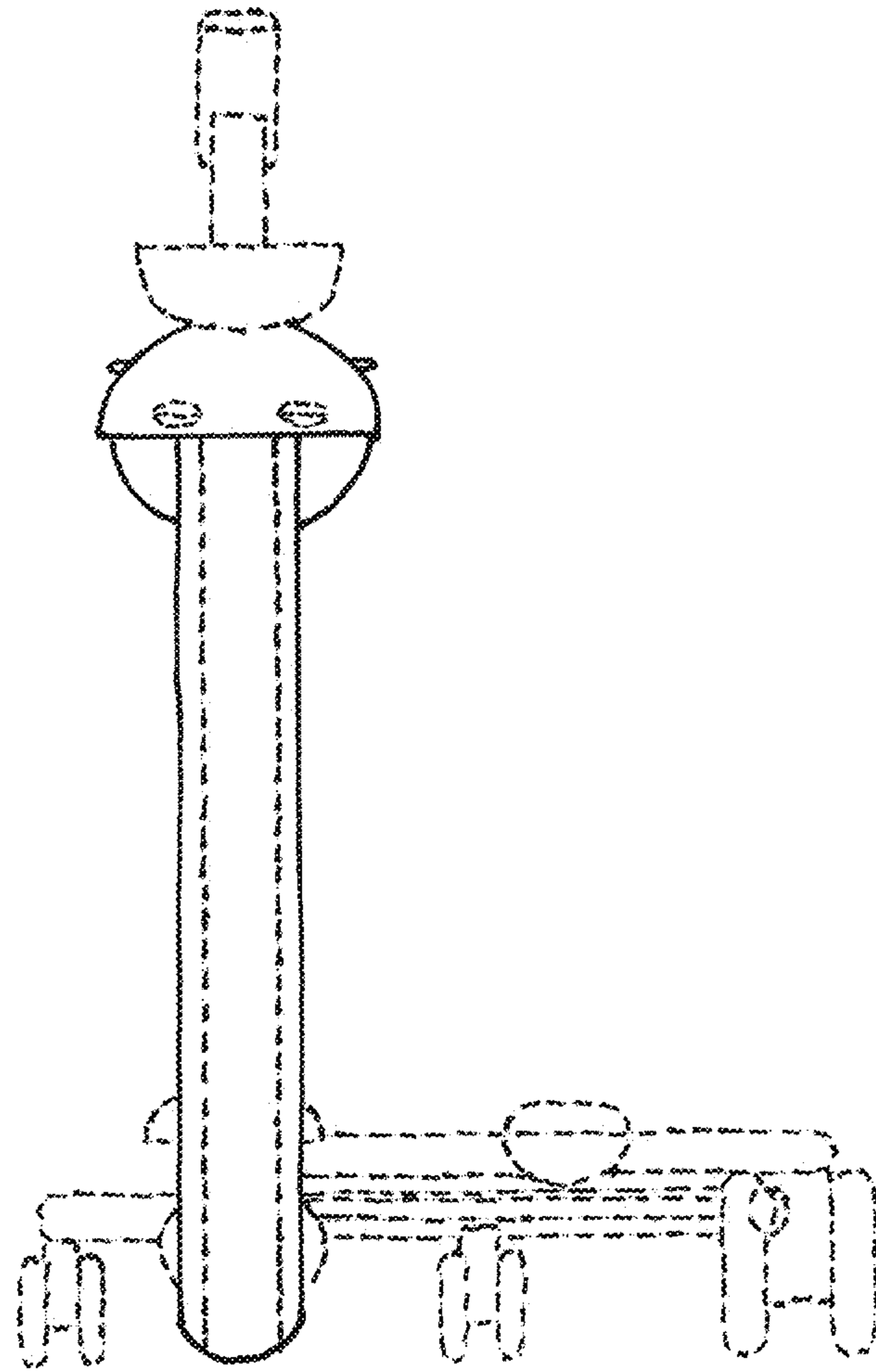


FIG. 2

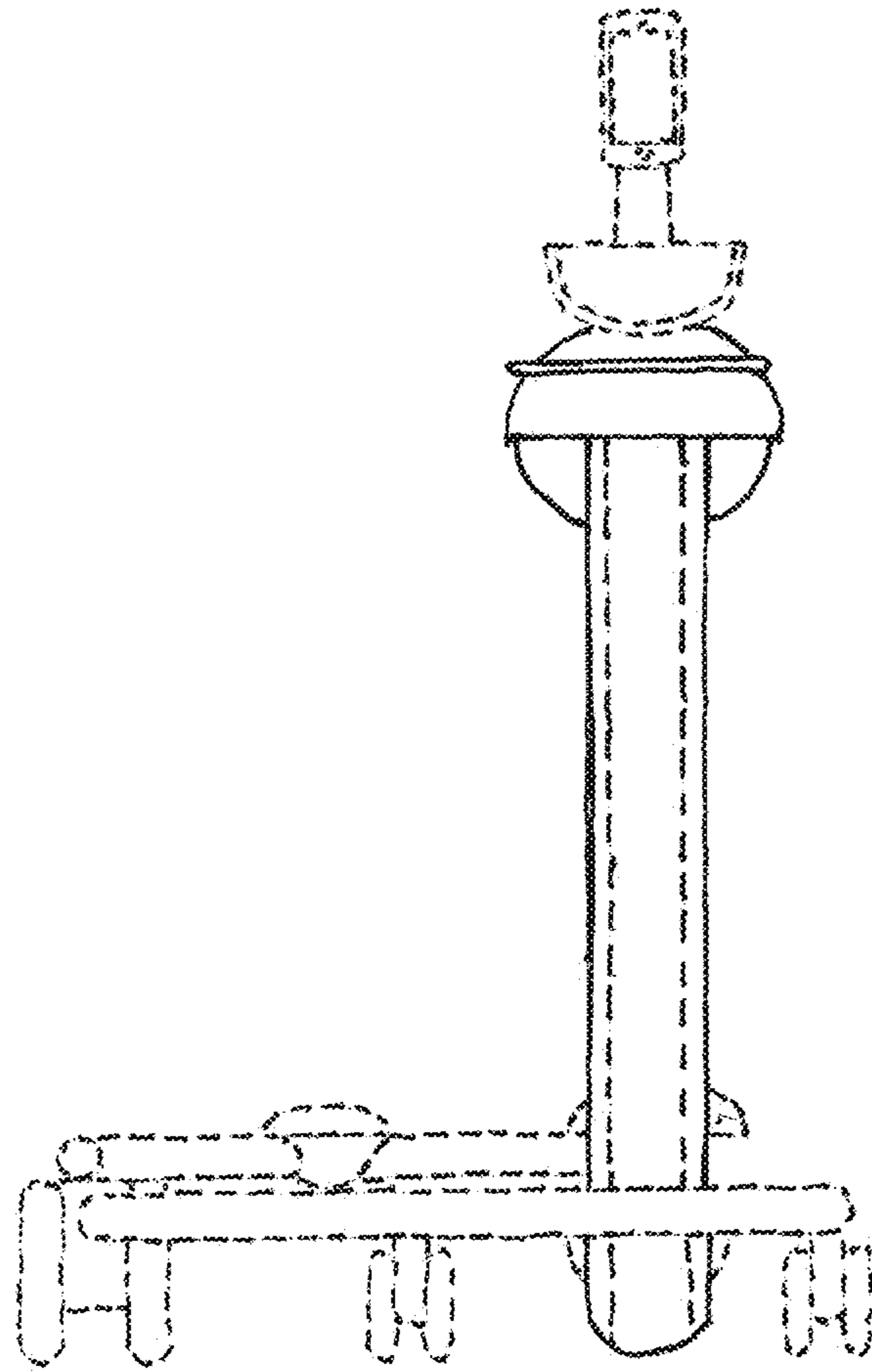


FIG. 3

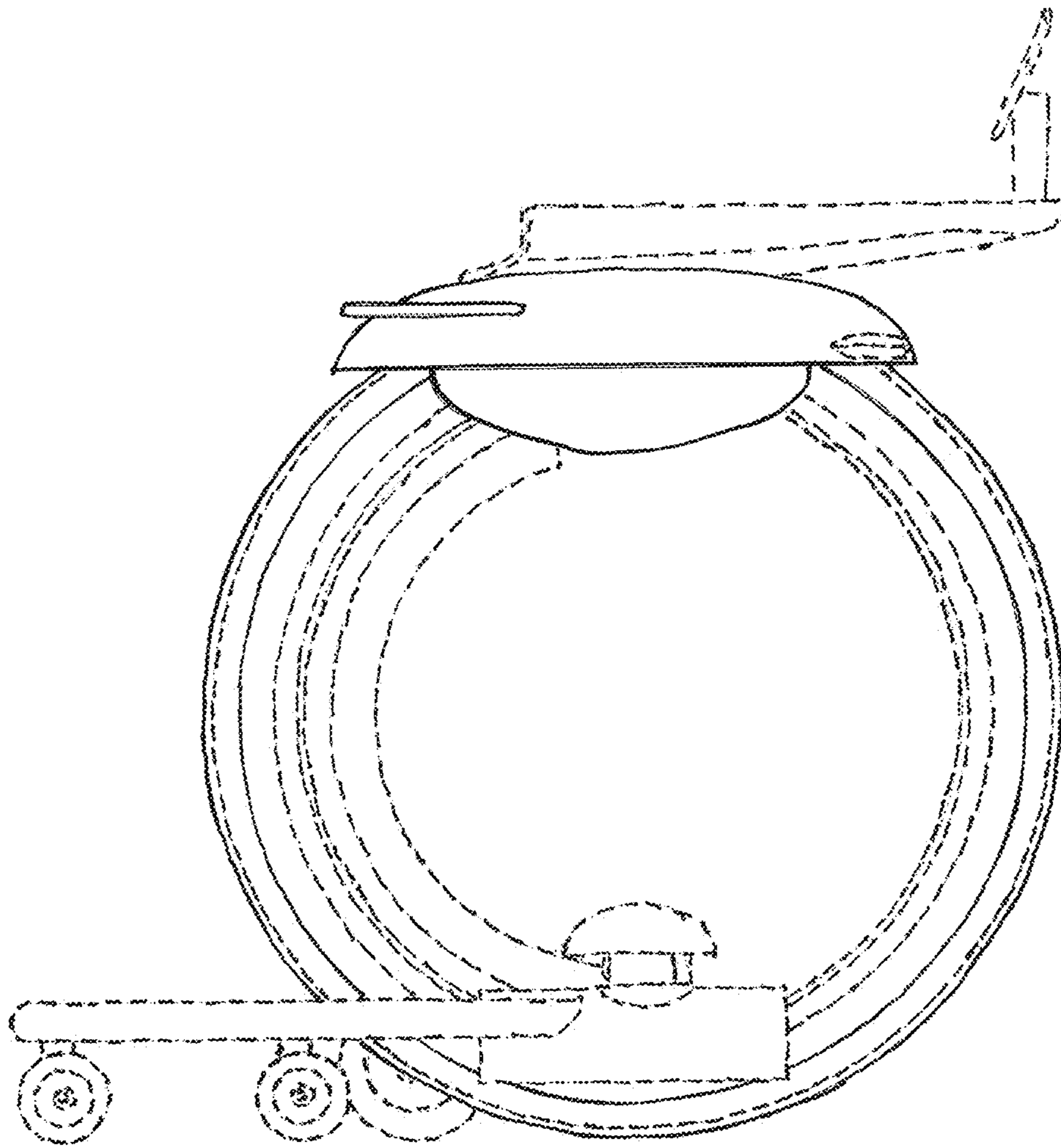


FIG. 4

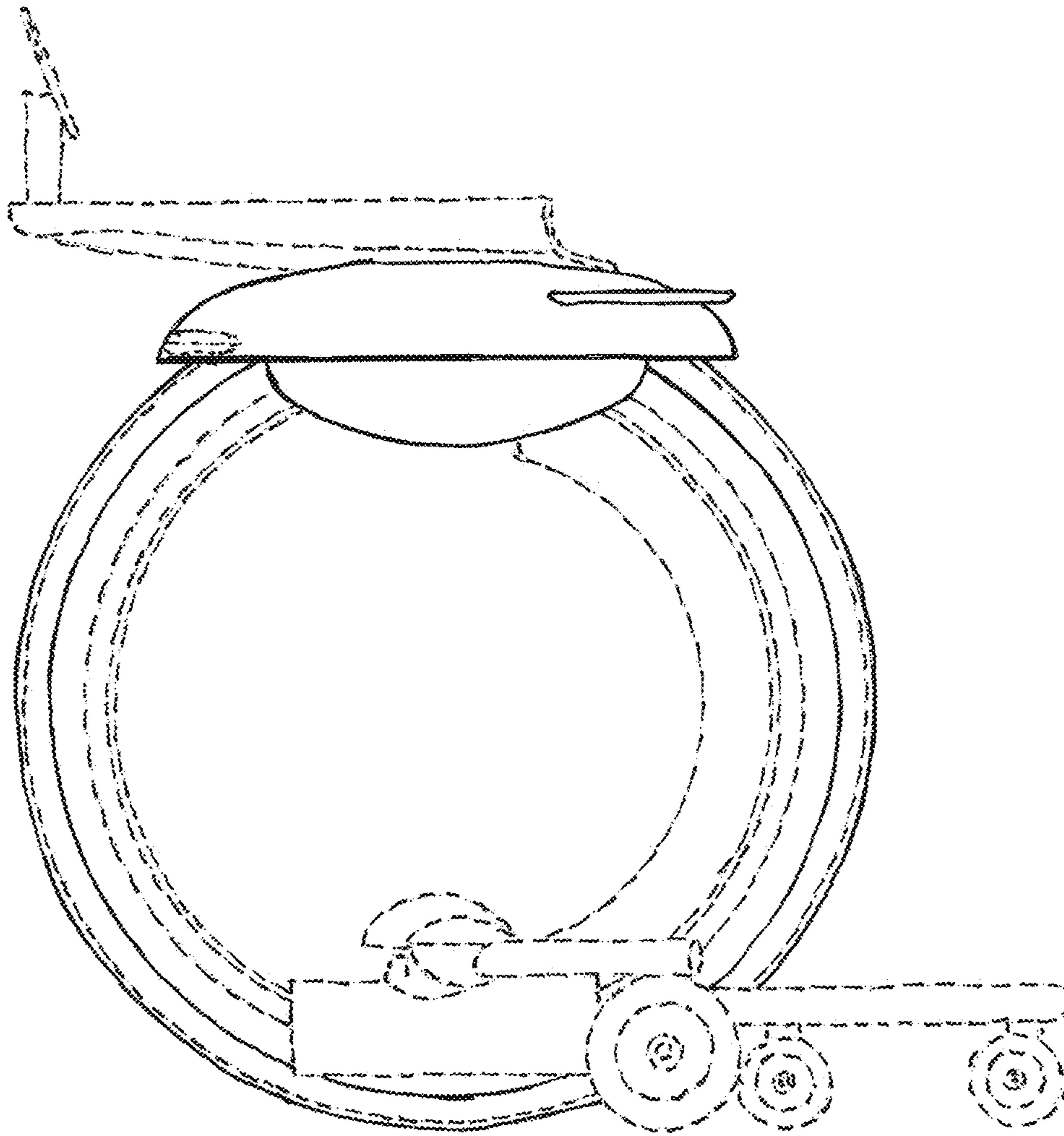


FIG. 5

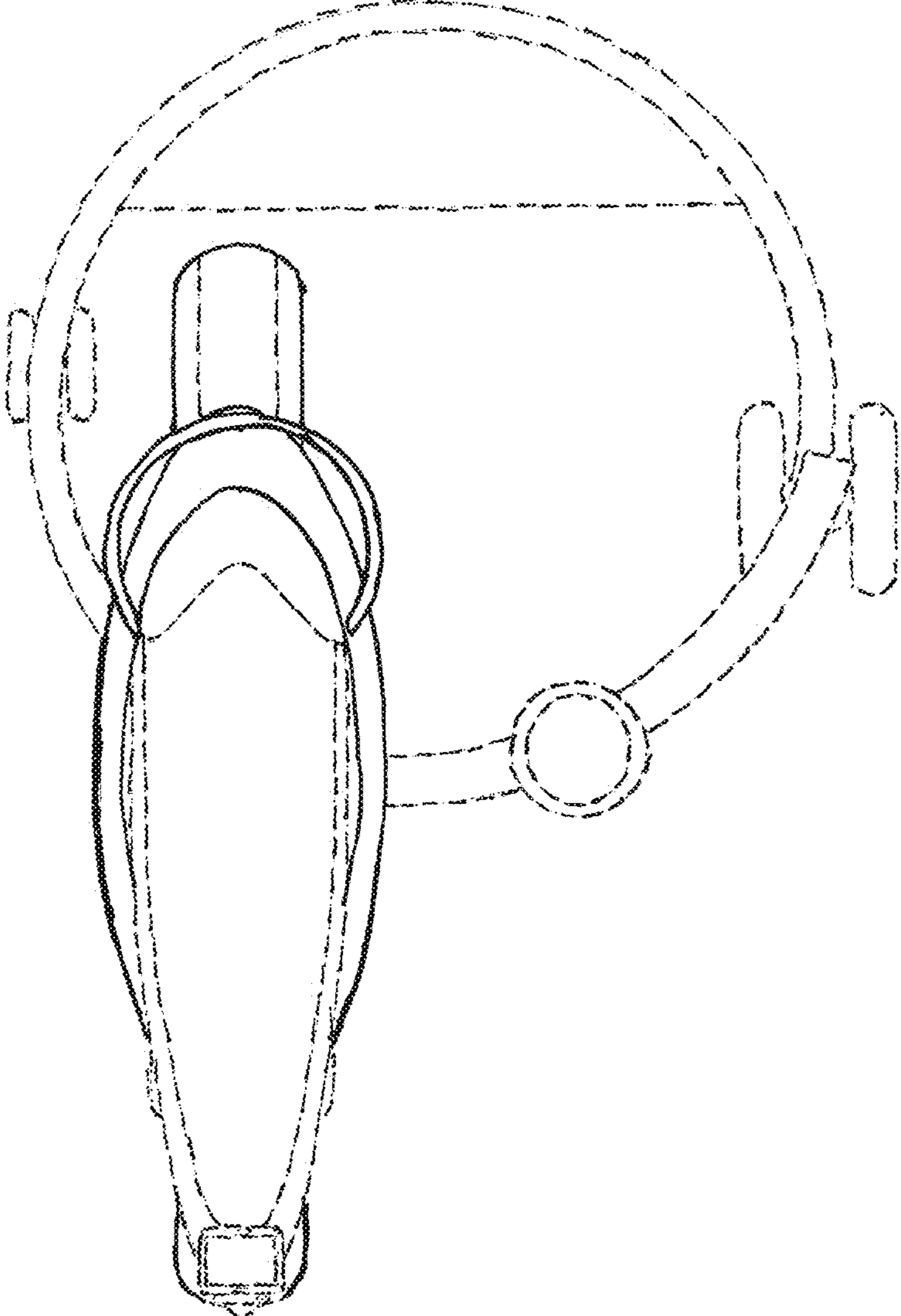


FIG. 6

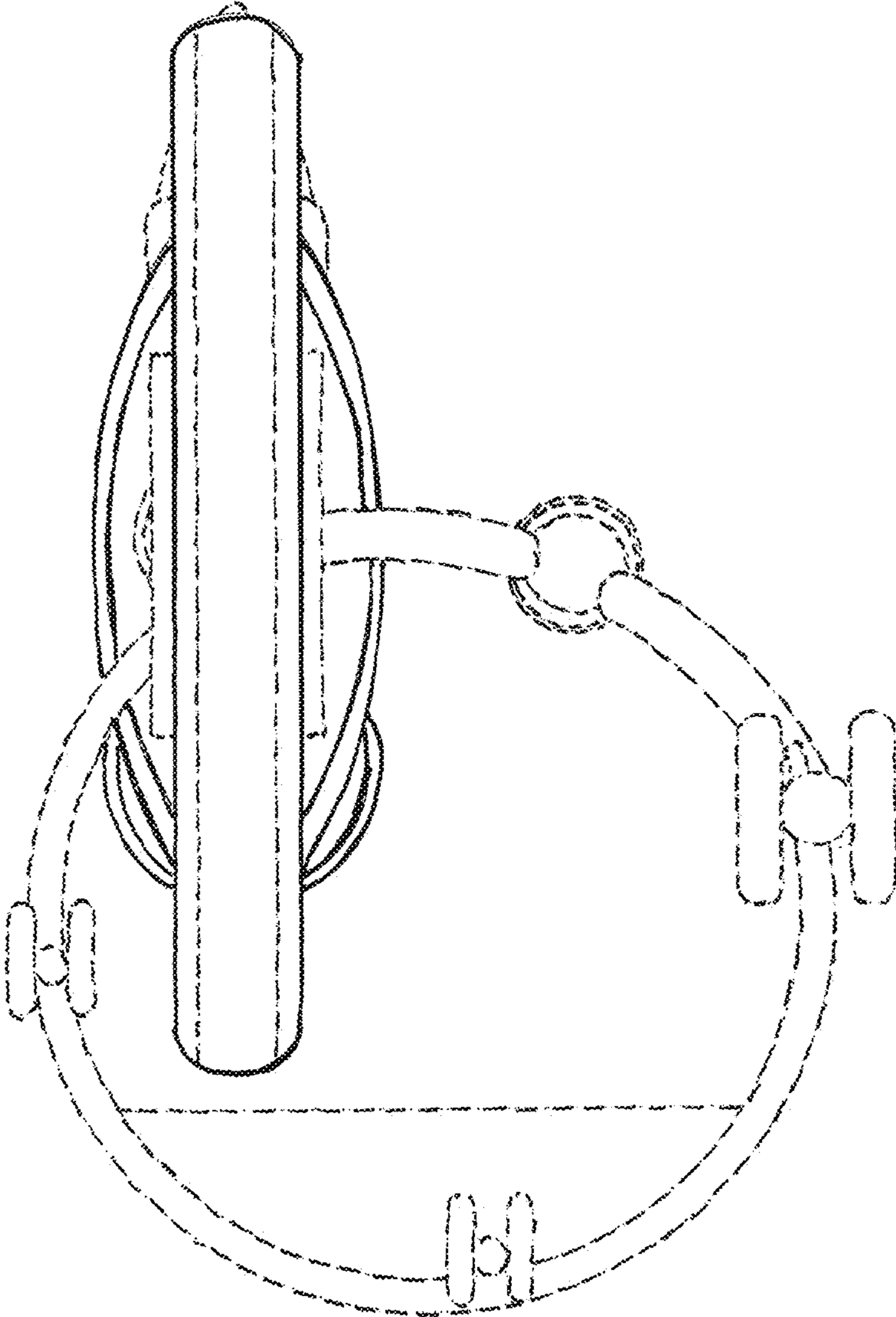


FIG. 7