



US00D987484S

(12) **United States Design Patent**  
**Lindloff**

(10) **Patent No.:** **US D987,484 S**

(45) **Date of Patent:** **\*\* May 30, 2023**

(54) **MOTORCYCLE SADDLEBAG HINGE COVER**

(71) Applicant: **Ciro Corporation**, Hudson, WI (US)

(72) Inventor: **Christopher Lindloff**, Roberts, WI (US)

(73) Assignee: **Ciro Corporation**, Hudson, WI (US)

(\*\*) Term: **15 Years**

(21) Appl. No.: **29/771,057**

(22) Filed: **Feb. 19, 2021**

(51) **LOC (14) Cl.** ..... **12-11**

(52) **U.S. Cl.**  
USPC ..... **D12/114**

(58) **Field of Classification Search**  
USPC ..... D12/114, 110, 117, 119, 126, 186, 190,  
D12/407, 409, 410; D3/231, 273  
CPC ..... B62J 9/00; B62J 9/001; B62J 9/26; B62J  
7/04

See application file for complete search history.

(56) **References Cited**

**U.S. PATENT DOCUMENTS**

D370,284 S *	5/1996	Farchione	.....	D12/114
D374,295 S *	10/1996	Farchione	.....	D12/114
D403,991 S *	1/1999	Davidson	.....	D12/114
D460,724 S *	7/2002	Owens	.....	D12/114
D493,123 S *	7/2004	Owens	.....	D12/114
D499,497 S *	12/2004	Hou	.....	D26/28
D522,930 S *	6/2006	Stahel	.....	D12/126
D575,198 S *	8/2008	Stahel, Jr.	.....	D12/114
D575,201 S *	8/2008	Stahel, Jr.	.....	D12/114
D582,321 S *	12/2008	Metzger	.....	D12/114
D595,617 S *	7/2009	Million	.....	D12/114
D608,262 S *	1/2010	Truebsbach	.....	D12/190
D637,127 S *	5/2011	Faghihzadeh	.....	D12/190

D659,059 S *	5/2012	Elmitt	.....	D12/190
D660,753 S *	5/2012	Faghihzadeh	.....	D12/190
D664,074 S *	7/2012	Clarkson	.....	D12/114
D776,838 S *	1/2017	Wu	.....	D26/28
D795,474 S *	8/2017	Madden	.....	D26/28
D906,185 S *	12/2020	Madden	.....	D12/114

**OTHER PUBLICATIONS**

“Harley-Davidson Hinge Cover,” Harley-Davidson, Inc. 2014.

\* cited by examiner

*Primary Examiner* — Michelle E. Wilson

*Assistant Examiner* — Clese Moore, Jr.

(74) *Attorney, Agent, or Firm* — Dicke, Billig & Czaja, PLLC

(57) **CLAIM**

The ornamental design for a motorcycle saddlebag hinge cover, as shown and described.

**DESCRIPTION**

FIG. 1 is a perspective view of the motorcycle saddlebag hinge cover.

FIG. 2 is a front elevation view thereof.

FIG. 3 is a rear elevation view thereof.

FIG. 4 is a first side view thereof.

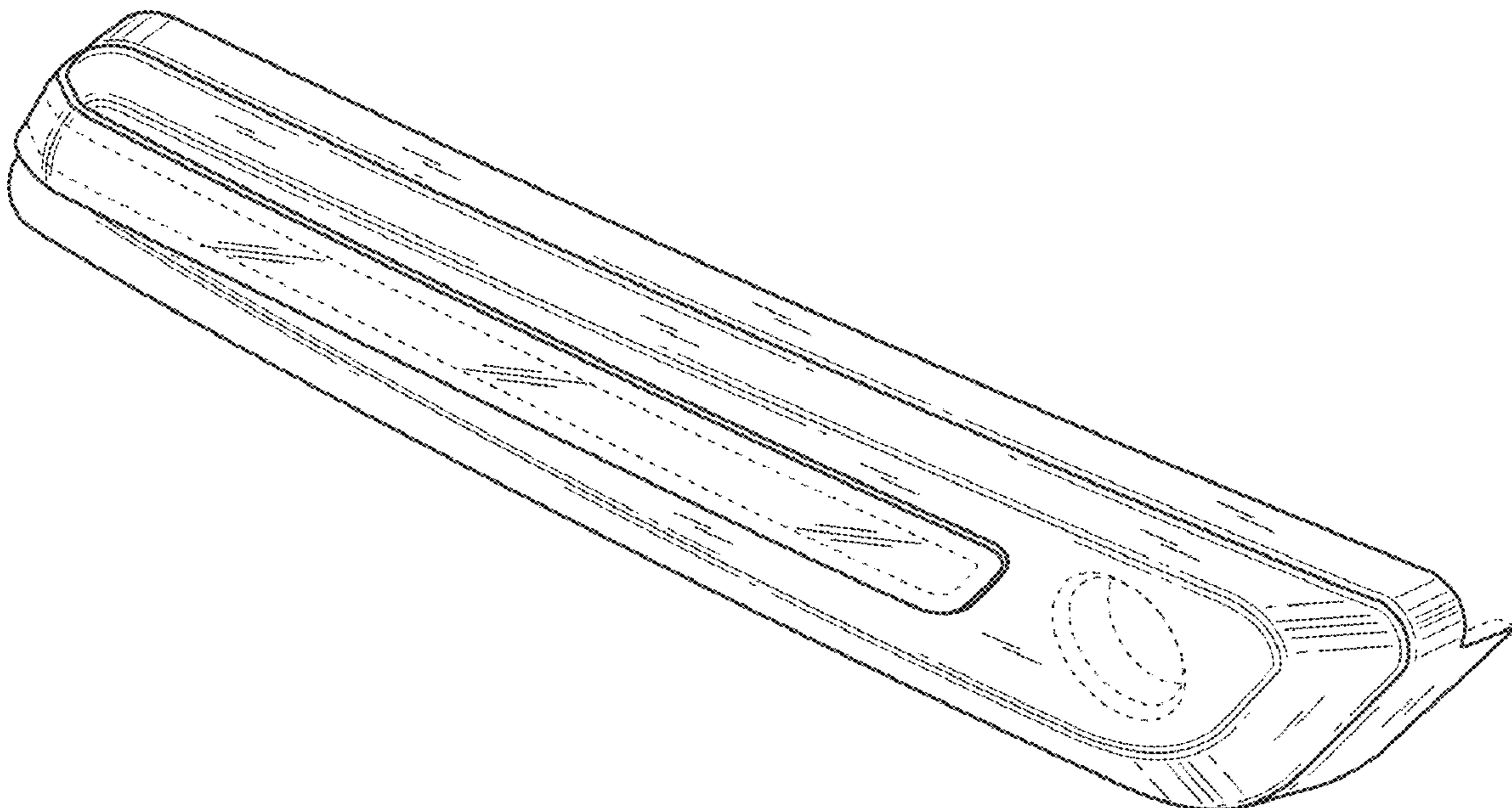
FIG. 5 is a second side view thereof, opposite the first side view.

FIG. 6 is a first end view thereof; and,

FIG. 7 is a second end view thereof, opposite the first end view.

The opening, lens feature, and rear surface features shown in broken lines form no part of the claimed design.

**1 Claim, 6 Drawing Sheets**



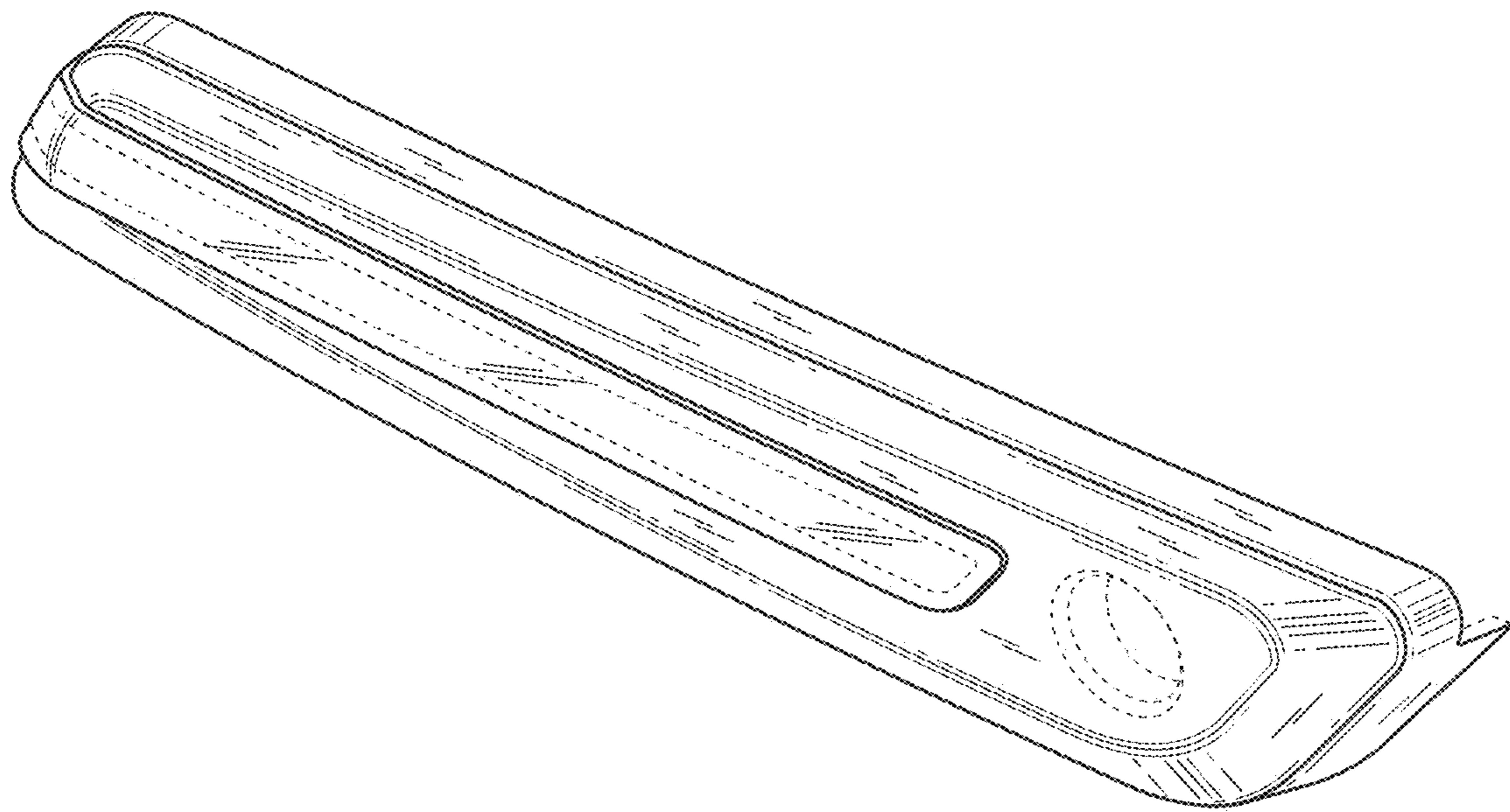


Fig. 1

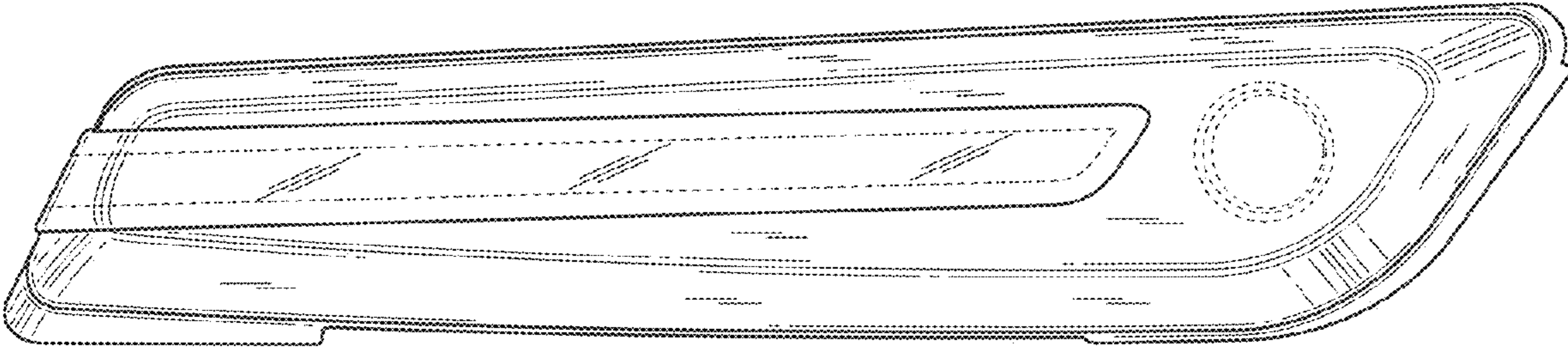
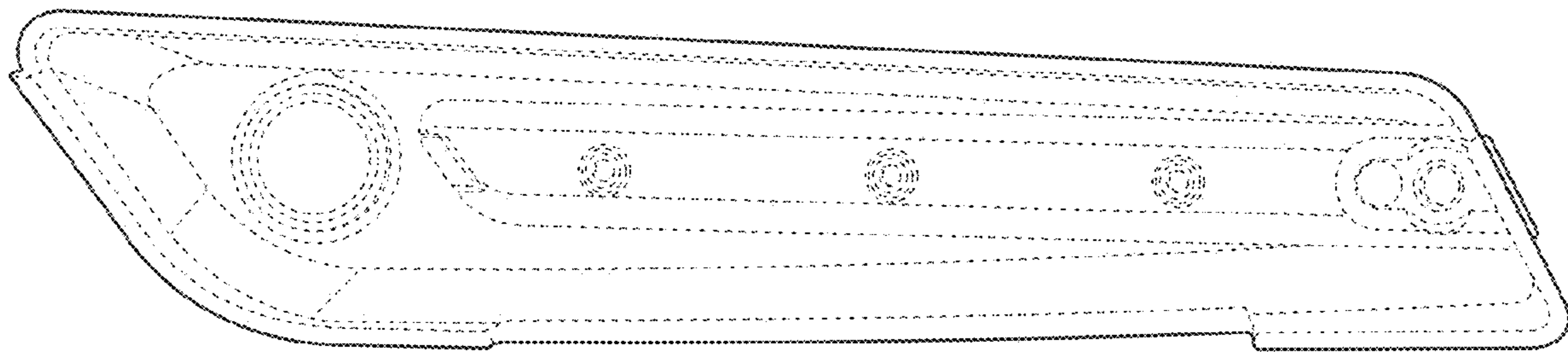


Fig. 2



**Fig. 3**

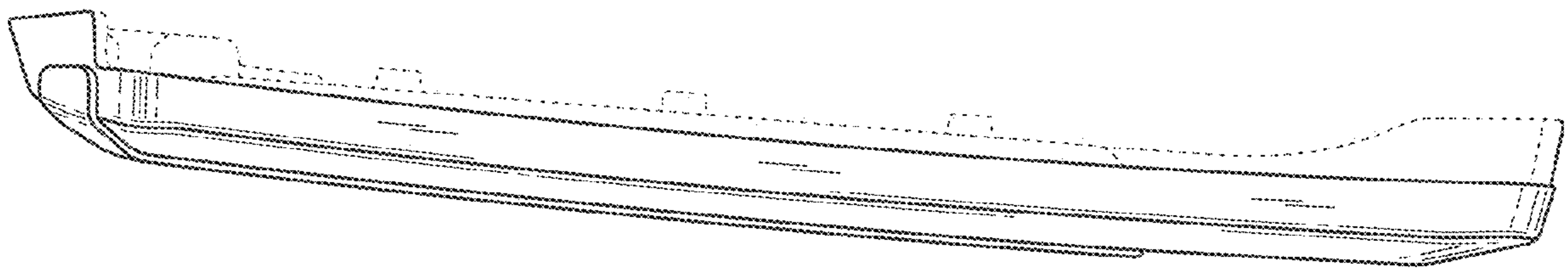


Fig. 4

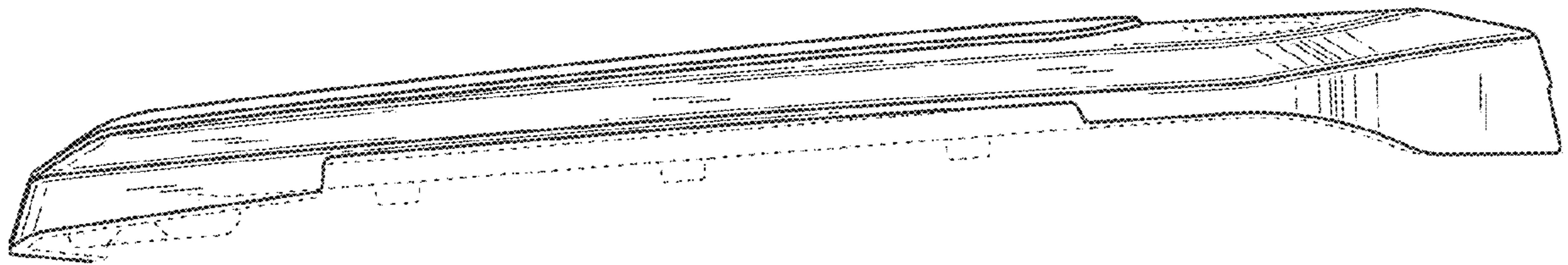
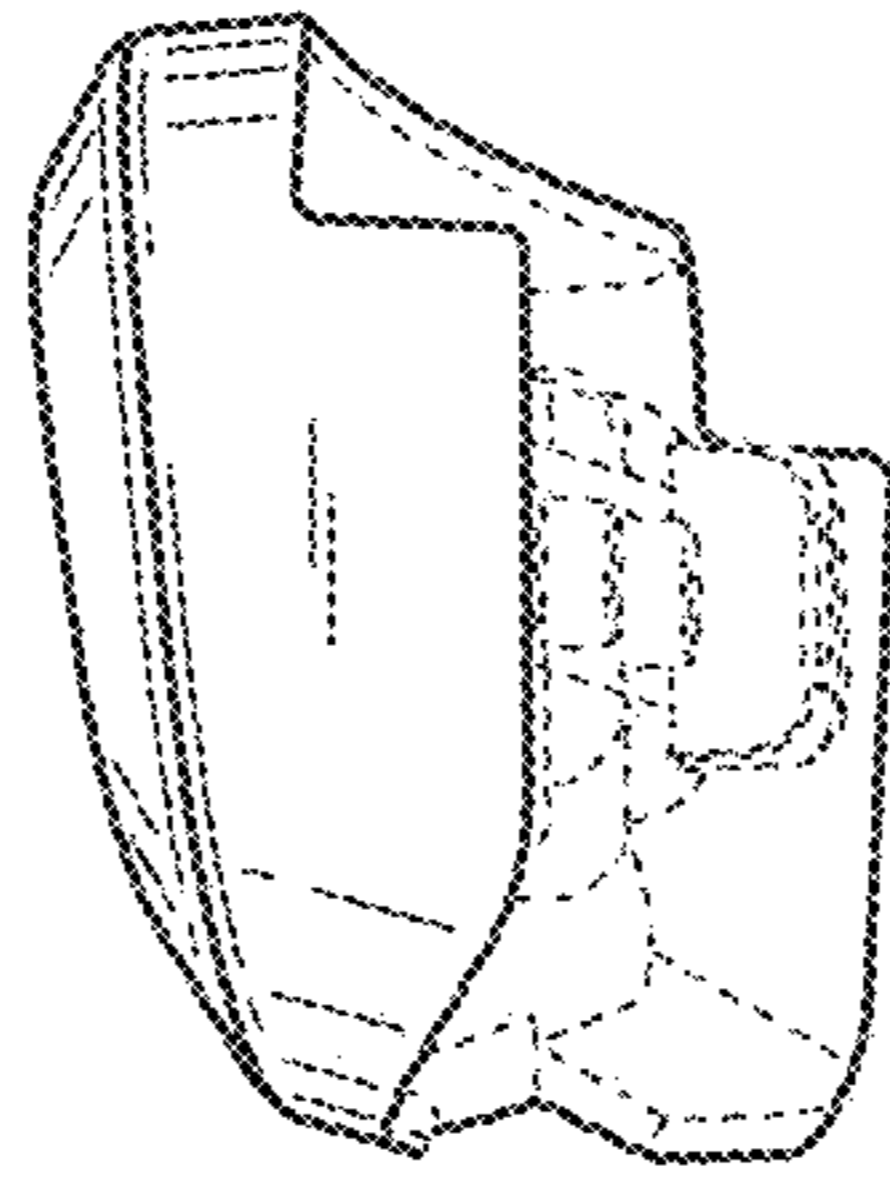
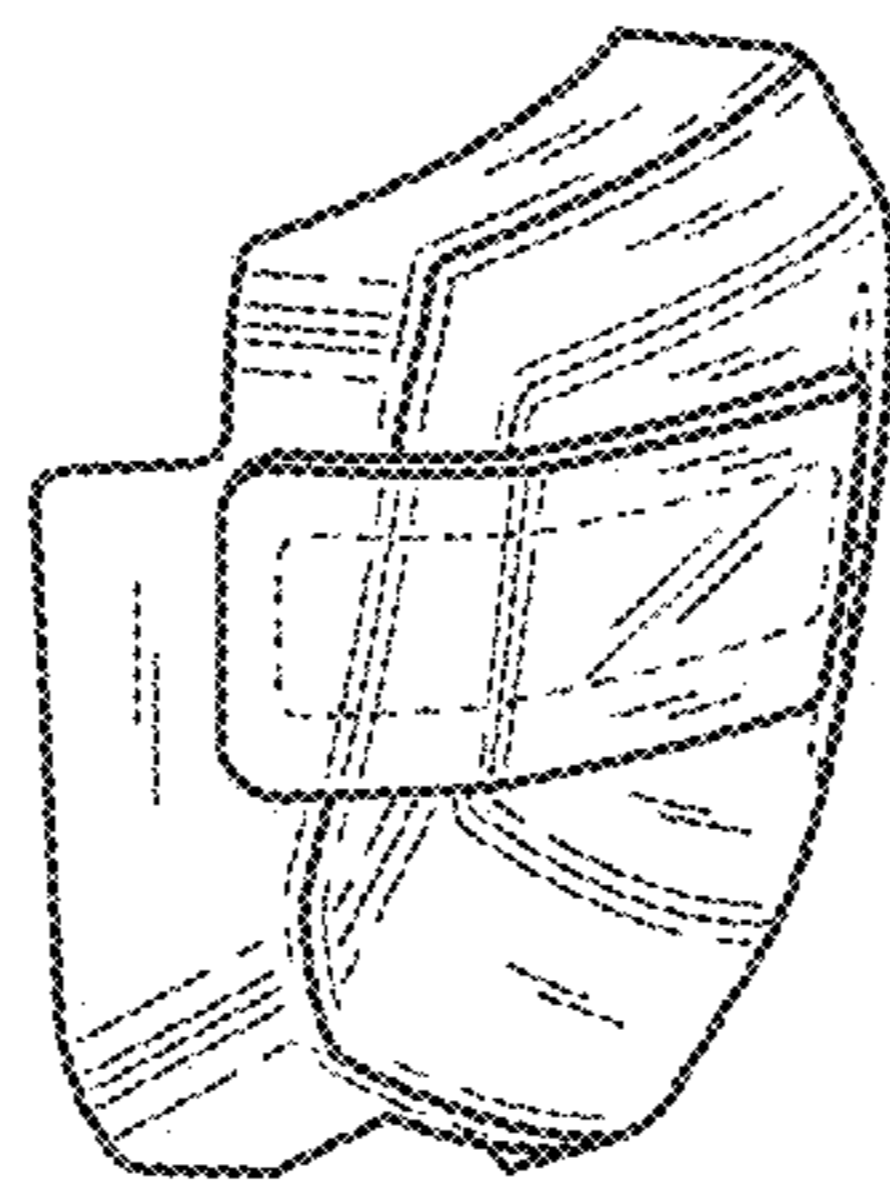


Fig. 5



**Fig. 6**



**Fig. 7**