



US00D987483S

(12) **United States Design Patent** (10) **Patent No.:** **US D987,483 S**
Song et al. (45) **Date of Patent:** **** May 30, 2023**

- (54) **SADDLEBAG FOR A TWO-WHEELED VEHICLE** 4,580,706 A * 4/1986 Jackson B62J 9/23 224/438
- 4,615,556 A 10/1986 Stahel
- (71) Applicant: **Indian Motorcycle International, LLC, Medina, MN (US)** 4,624,470 A 11/1986 Love
- 4,793,293 A 12/1988 Minami
- (72) Inventors: **Michael M. Song, Maple Grove, MN (US); Gregory C. Brew, Minnetonka, MN (US)** 4,887,687 A 12/1989 Asai et al.
- 5,025,883 A 6/1991 Morinaka et al.
- 5,107,949 A 4/1992 Gotoh et al.
- D361,311 S 8/1995 Lindby
- D372,442 S 8/1996 Kitagawa et al.
- 5,608,957 A 3/1997 Hanagan
- (73) Assignee: **Indian Motorcycle International, LLC, Medina, MN (US)** (Continued)

(**) Term: **15 Years**

(21) Appl. No.: **29/853,250**

(22) Filed: **Sep. 14, 2022**

Related U.S. Application Data

(62) Division of application No. 29/761,435, filed on Dec. 9, 2020, now Pat. No. Des. 967,734, which is a division of application No. 29/670,062, filed on Nov. 13, 2018, now Pat. No. Des. 906,182.

(51) **LOC (14) Cl.** **12-11**

(52) **U.S. Cl.**
USPC **D12/114**

(58) **Field of Classification Search**
USPC D12/110, 114, 407, 409, 410; D3/231, D3/273

CPC B62J 9/00; B62J 9/001; B62J 9/20; B62J 9/23; B62J 9/26; B62J 7/00; B62J 7/04
See application file for complete search history.

(56) **References Cited**

U.S. PATENT DOCUMENTS

- 2,755,873 A 7/1956 Klaue
- 3,866,946 A 2/1975 Robison
- 3,935,445 A 1/1976 Preisler
- D242,031 S 10/1976 Till et al.
- 4,260,170 A 4/1981 Terai et al.

OTHER PUBLICATIONS

Ksstudios. "Viking Lamellar Hard Saddlebags—Harley Low Rider (FXLR)." YouTube., Mar. 15, 2020 [online], [retrieved on Jan. 6, 2023]. Retrieved from the Internet <URL: https://www.youtube.com/watch?v=elnGFM_1f1g>.*

(Continued)

Primary Examiner — Darlington Ly

(74) *Attorney, Agent, or Firm* — Faegre Drinker Biddle & Reath LLP

(57) **CLAIM**

The ornamental design for a saddlebag for a two-wheeled vehicle, as shown and described.

DESCRIPTION

FIG. 1 is a front and right side perspective view of a right side mounted saddlebag for a two-wheeled vehicle embodying our new design;

FIG. 2 is a front elevation view thereof;

FIG. 3 is a rear elevation view thereof;

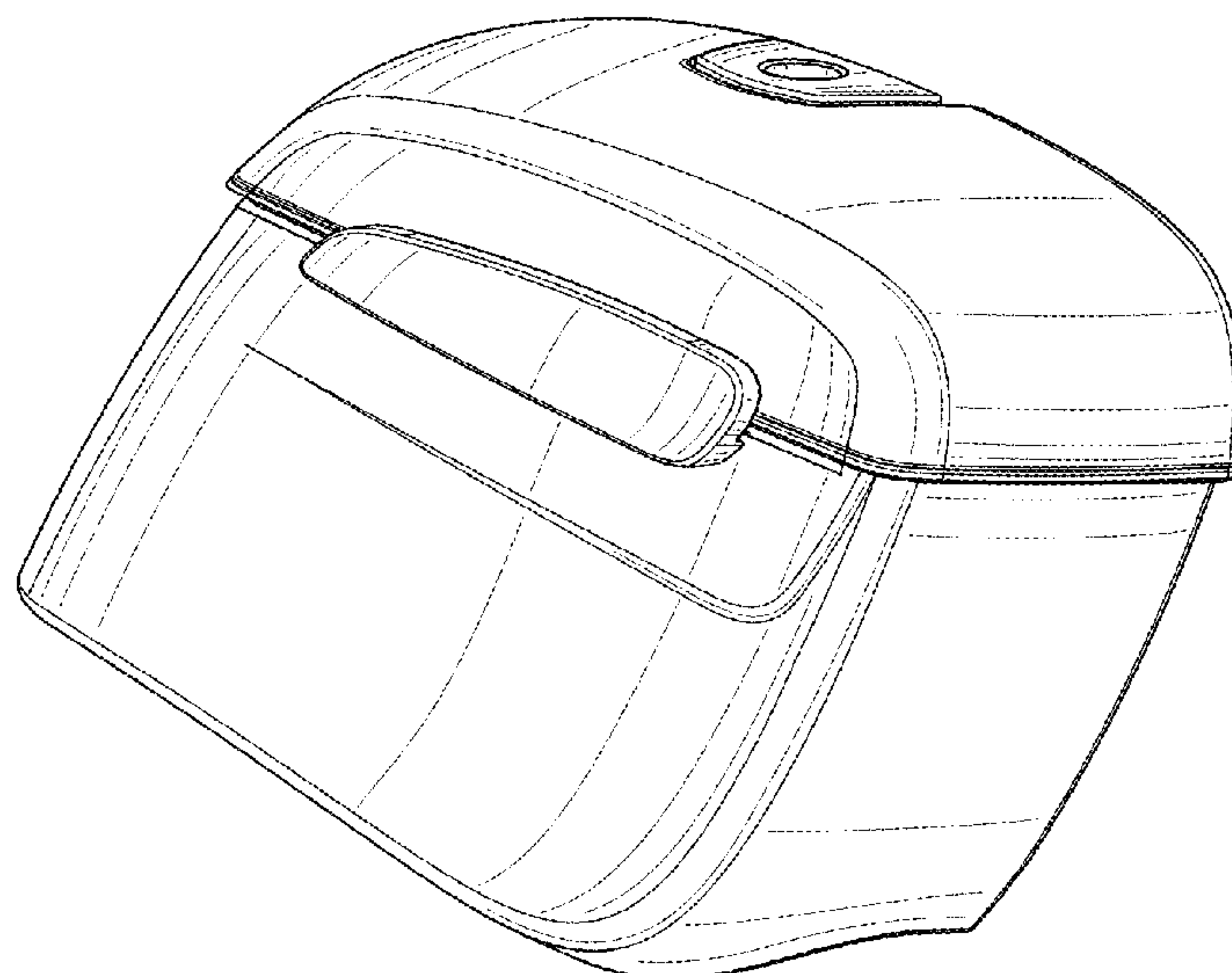
FIG. 4 is a right side elevation view thereof;

FIG. 5 is a left side elevation view thereof; and,

FIG. 6 is a top plan view thereof.

The portions of the saddlebag shown in broken lines form no part of the claimed design.

1 Claim, 6 Drawing Sheets



(56)

References Cited

U.S. PATENT DOCUMENTS

D388,366 S 12/1997 Nishino
 D391,527 S 3/1998 Maruyama et al.
 5,839,536 A 11/1998 Tanaka
 D406,801 S 3/1999 Robb et al.
 D416,215 S 11/1999 Hanlon et al.
 6,007,150 A 12/1999 Clerkin et al.
 6,068,075 A 5/2000 Saiki
 D426,174 S 6/2000 Sofue et al.
 6,203,093 B1 3/2001 Suzuki et al.
 D442,892 S 5/2001 Timmermann
 6,223,960 B1 * 5/2001 Powell B62J 9/26
 190/125
 6,224,081 B1 5/2001 Wayman et al.
 6,234,266 B1 5/2001 Saiki
 D444,419 S 7/2001 Kamata et al.
 6,276,482 B1 8/2001 Moriya et al.
 D447,985 S 9/2001 Ino et al.
 6,293,606 B1 9/2001 Jarosz et al.
 6,338,260 B1 * 1/2002 Cousins A45C 13/10
 70/164
 6,394,214 B1 5/2002 Hahm
 6,419,039 B1 7/2002 Wagner
 D461,761 S * 8/2002 Monson D12/410
 6,481,522 B1 11/2002 Adachi
 6,484,855 B1 11/2002 Yapple
 D470,097 S 2/2003 Song
 D476,271 S 6/2003 Abe et al.
 6,619,415 B1 9/2003 Hasumi et al.
 D484,074 S 12/2003 Henneberry
 6,655,740 B1 12/2003 Hanagan
 6,796,030 B2 9/2004 Mochizuki et al.
 D497,341 S * 10/2004 Hanagan D12/410
 6,832,710 B2 * 12/2004 Galbraith B62J 9/26
 220/817
 6,896,279 B2 5/2005 Galvagno
 6,951,417 B2 10/2005 Ito et al.
 6,969,083 B2 11/2005 Egan
 D513,719 S 1/2006 Egan
 6,991,290 B1 1/2006 Wiertzema
 D519,415 S 4/2006 Hohdorf et al.
 D530,244 S 10/2006 Wilm et al.
 7,207,470 B2 4/2007 Akita et al.
 7,278,560 B2 10/2007 Aron
 7,311,232 B2 12/2007 Watanabe et al.
 D567,715 S 4/2008 Brew et al.
 7,360,963 B1 4/2008 Burns
 D574,299 S 8/2008 Kouchi et al.
 D576,921 S 9/2008 Tong
 7,537,281 B2 5/2009 Riondato
 7,543,673 B2 6/2009 Lachapelle et al.
 D597,891 S 8/2009 Andoh
 D605,088 S 12/2009 Tanaka et al.
 D605,982 S 12/2009 Tanaka et al.
 D615,000 S 5/2010 Tako et al.
 D618,612 S * 6/2010 Asao D12/409
 D624,853 S 10/2010 Song et al.
 D637,525 S 5/2011 Sugimoto
 D640,606 S 6/2011 Lai et al.
 D656,068 S 3/2012 Song et al.
 D656,867 S 4/2012 Uemoto et al.
 D665,310 S 8/2012 Hohdorf et al.
 D666,531 S 9/2012 Dunshee
 8,272,460 B2 9/2012 Song et al.
 8,408,437 B1 * 4/2013 Ponsaa B62J 9/26
 224/430
 D691,521 S 10/2013 Dunshee
 D692,355 S 10/2013 Tsuji et al.
 D711,093 S * 8/2014 Alamdar D3/231
 D722,538 S 2/2015 Song et al.
 D723,429 S 3/2015 Hohdorf
 D735,616 S 8/2015 Tako et al.
 D743,163 S * 11/2015 Alamdar D3/231
 D743,325 S * 11/2015 Seo D12/410
 D743,696 S * 11/2015 Alamdar D3/231
 D781,752 S 3/2017 Cammorata

9,643,674 B1 5/2017 Sato
 D802,486 S 11/2017 Mugikura
 D806,611 S * 1/2018 Alamdar D12/114
 D812,524 S * 3/2018 Alamdar D12/114
 D830,056 S * 10/2018 Cunningham D3/231
 D934,779 S * 11/2021 Alamdar D3/231
 D934,780 S * 11/2021 Alamdar D3/231
 D944,180 S * 2/2022 Alamdar D12/407
 D967,734 S 10/2022 Song et al.
 11,535,331 B2 * 12/2022 Lee B62J 43/20
 2004/0164113 A1 * 8/2004 Thomas B62J 9/00
 224/413
 2004/0206566 A1 10/2004 Katsura
 2005/0150703 A1 7/2005 Nakagome et al.
 2005/0150921 A1 * 7/2005 Schneider B62J 9/26
 224/413
 2005/0174787 A1 8/2005 Uemoto et al.
 2005/0257978 A1 11/2005 Sigfrid
 2007/0018420 A1 1/2007 Hoshi
 2007/0057484 A1 3/2007 Gilman
 2007/0151789 A1 7/2007 Bracy et al.
 2007/0240925 A1 10/2007 Kobayashi
 2008/0093146 A1 4/2008 Kobayashi
 2008/0169134 A1 7/2008 Tomolillo et al.
 2008/0169149 A1 7/2008 Holroyd et al.
 2008/0173122 A1 7/2008 Bagnariol
 2008/0190683 A1 8/2008 Hoeve
 2008/0203782 A1 8/2008 Bigolin
 2008/0246250 A1 10/2008 Lacour
 2009/0194351 A1 8/2009 Murasawa et al.
 2010/0012695 A1 * 1/2010 DeMilio B62J 9/23
 224/413
 2010/0025140 A1 2/2010 Takenaka et al.
 2010/0025443 A1 2/2010 Racz et al.
 2010/0307852 A1 12/2010 Aramayo et al.
 2010/0307853 A1 12/2010 Song et al.
 2014/0131127 A1 5/2014 Hayama

OTHER PUBLICATIONS

Vikingbags. "Honda VTX 1800c w/ Viking Bags Leather Hard Bags Installation & Review." YouTube., Aug. 12, 2014 [online], [retrieved on Jan. 6, 2023]. Retrieved from the Internet <URL: <https://www.youtube.com/watch?v=TyEB0IdCZaY>>.*
 Idaho Up. "Viking Hard Bags Review, Install and Mistakes Made." YouTube., Aug. 24, 2021 [online], [retrieved on Jan. 6, 2023]. Retrieved from the Internet <URL: <https://www.youtube.com/watch?v=lyMHiA4TNvs>>.*
 "Indian Chieftain 2021" Indian Motorcycle., Oct. 28, 2020 [online], [retrieved on Jun. 28, 2022], Retrieved from the Internet <URL: https://www.indianmotorcycles.co.nz/fileadmin/templates/model_21/pdf/accessories/nz/2021-chieftain-brochure.pdf>.
 "Scout Lock & Ride (Registered) Fairing." Indian Motorcycle., Oct. 15, 2019 [online], [retrieved on Jun. 28, 2022], Retrieved from the Internet <URL: https://cdn1.polaris.com/globalassets/pgs/pdf/kitinstructions/indian/shop/accessories/fairings/2884116-266_9929476r02.pdf?v=78456eaf>.
 2019 Indian Chieftain Dark Horse Review—YouTube which was published on the website https://www.youtube.com/watch?time_continue=2&v=3eHwJRCvrg&feature=emb_logo on Sep. 25, 2018.
 2019 Indian Chieftain range—www.bikesales.com.au which was published on the website <https://www.bikesales.com.au/editorial/details/2019-indian-chieftain-range-114526/> on Sep. 7, 2018.
 Design Examination Report issued by the Australian Government IP Australia, dated Feb. 10, 2020, for Australian Patent Application No. 201912566; 6 pages.
 Harley-Davidson, FLH, 1 page, (available at least as early as Jun. 3, 2009).
 Harley-Davidson, FLHR Road King, 2008, 1 page.
 Harley-Davidson, FLHX Street Glide, 2008, 1 page.
 Harley-Davidson, Genuine Motor Accessories, Adjustable Highway Peg Mounting Kit—360 Degrees webpage, 1 page, (available at least as early as Jun. 3, 2009).

(56)

References Cited

OTHER PUBLICATIONS

Harley-Davidson, Genuine Motor Accessories, Adjustable Highway Peg Mounting Kit—Long Angled webpage, 1 page, (available at least as early as Jun. 3, 2009).

Harley-Davidson, Genuine Motor Accessories, Adjustable Highway Peg Mounting Kit—Long Offset webpage, 1 page, (available at least as early as Jun. 3, 2009).

Harley-Davidson, Genuine Motor Accessories, Adjustable Highway Peg Mounting Kit—Short Angled webpage, 1 page, (available at least as early as Jun. 3, 2009).

Harley-Davidson, Genuine Motor Accessories, Adjustable Highway Peg Mounting Kit—Short Offset webpage, 1 page, (available at least as early as Jun. 3, 2009).

Hinton, Touring With Less Vibration And More Power, Sep. 14, 2017, <https://www.topspeed.com/motorcycles/motorcycle-reviews/harley-davidson/2018-harley-davidson-street-glide-street-glide-special-ar177575.html>.

Indian motorcycle on p. 1 of 2 from “Polaris purchases Indian Motorcycles, will compliment Victory brand”, by Chris Shunk, posted Apr. 20, 2011. [Retrieved on Apr. 15, 2013]. Retrieved from the Internet <URL: [http://www.autoblog.com/2011/04/20/polaris-purchases-indian-motorcycles-will-complem . . .](http://www.autoblog.com/2011/04/20/polaris-purchases-indian-motorcycles-will-complem...)>.

Indian Motorcycle which was published on the website <https://web.archive.org/web/20181019145603/https://www.indianmotorcycle.com/en-us/> on Oct. 19, 2018.

Intermot: Indian debut 2019 Chieftain which was published on the website <https://www.motorcyclenews.com/news/new-bikes/2019-indian-chieftain/> on Oct. 2, 2018.

Photos of the Chief Vintage Indian Motorcycle, 1 page, copyright 2013, available at <http://www.indianmotorcycle.com/en-us/chief/chief-vintage-le/pages/photos-.aspx>, accessed on Aug. 23, 2013.

Photos of the Chief Vintage Indian Motorcycle, 1 page, copyright 2013, available at <http://www.indianmotorcycle.com/en-us/chief/chief-vintage-le/pages/photos-.aspx>, accessed on Aug. 23, 2013.

Polaris Sales Inc., Celebrating 10 Years of Victory the New American Motorcycle 2009 brochure, 2008, pp. 1-16, Medina, Minnesota, USA.

Polaris Sales Inc., Victory 2004 Accelerating the Art of the American Cruiser brochure, 2003, pp. 1-36, Medina, Minnesota, USA.

Polaris Sales Inc., Victory 2006 brochure, 2005, pp. 1-28, Medina, Minnesota, USA.

Polaris Sales Inc., Victory Motorcycles 2005 The New American Motorcycle brochure, 2004, pp. 1-22, Medina, Minnesota, USA.

Polaris Sales Inc., Victory the New American Motorcycle 2007 brochure, 2006, pp. 1-15, Medina, Minnesota, USA.

Polaris Sales Inc., Victory the New American Motorcycle 2008 brochure, 2007, pp. 1-14, Medina, Minnesota, USA.

Victory Motorcycle 2005 Models, 20 pages. [Retrieved on Oct. 15, 2009]. Retrieved from the Internet <URL: <http://www.bikemet.com/news/PageViewer.asp?PageID=246>>.

* cited by examiner

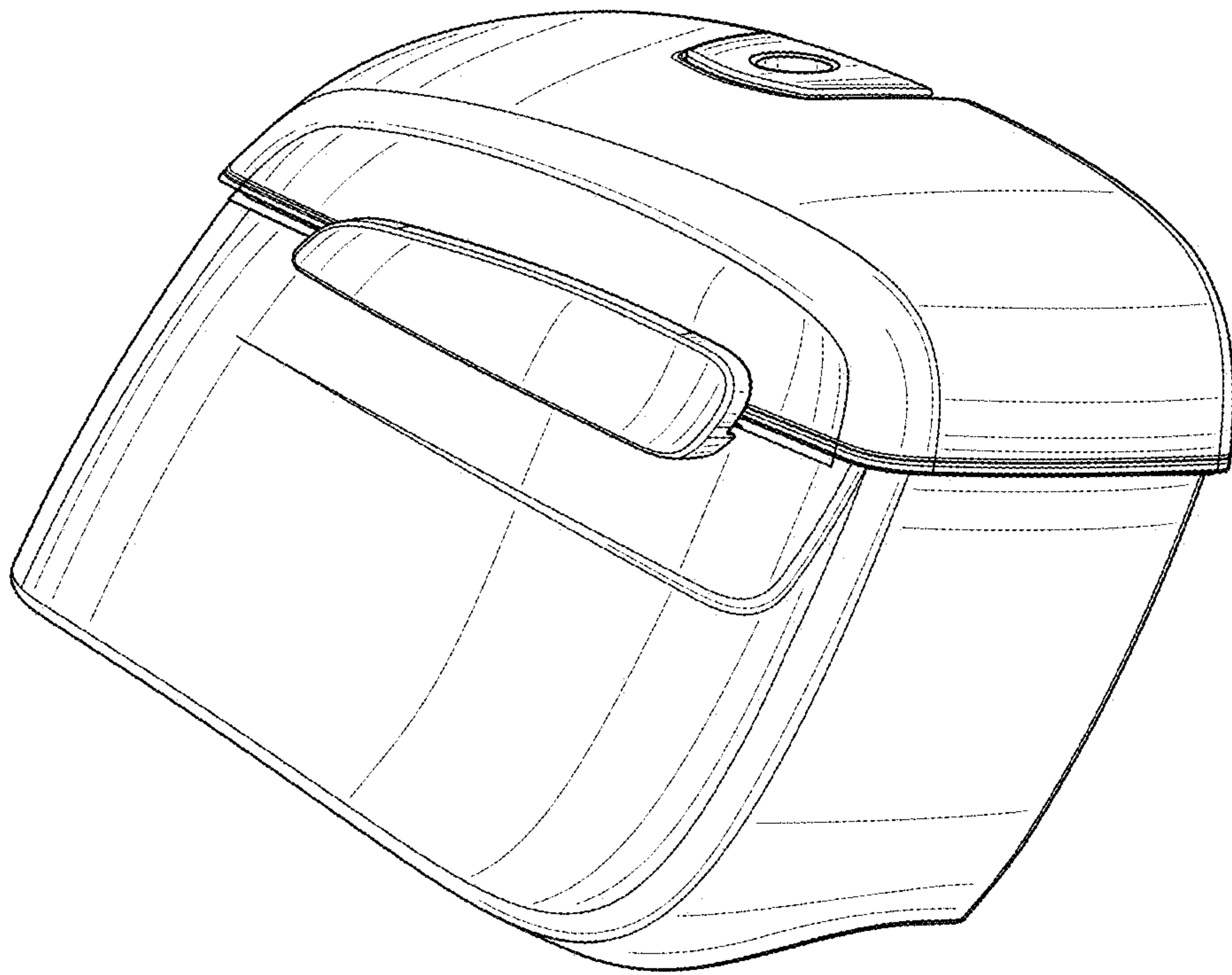


FIG. 1

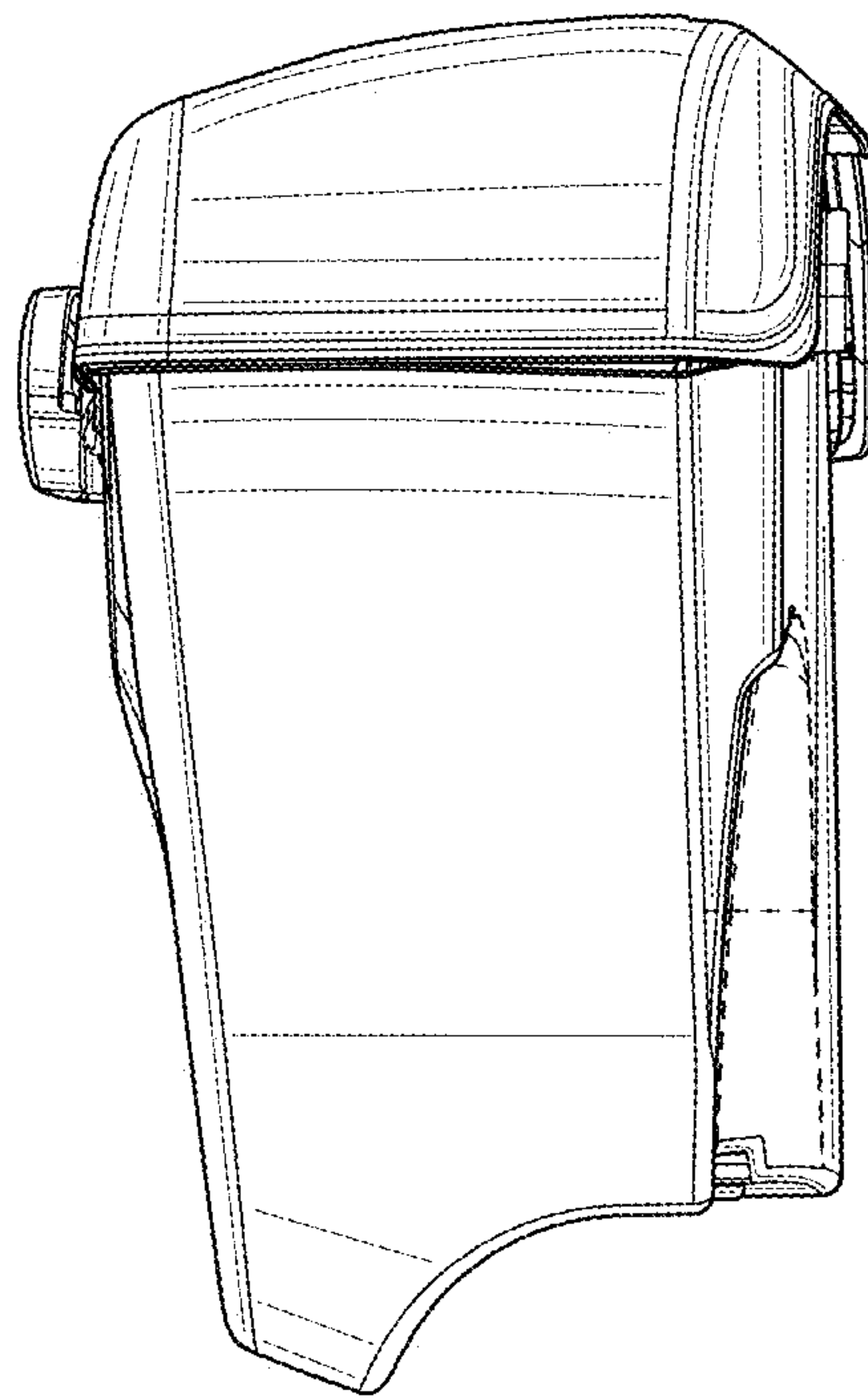


FIG. 2

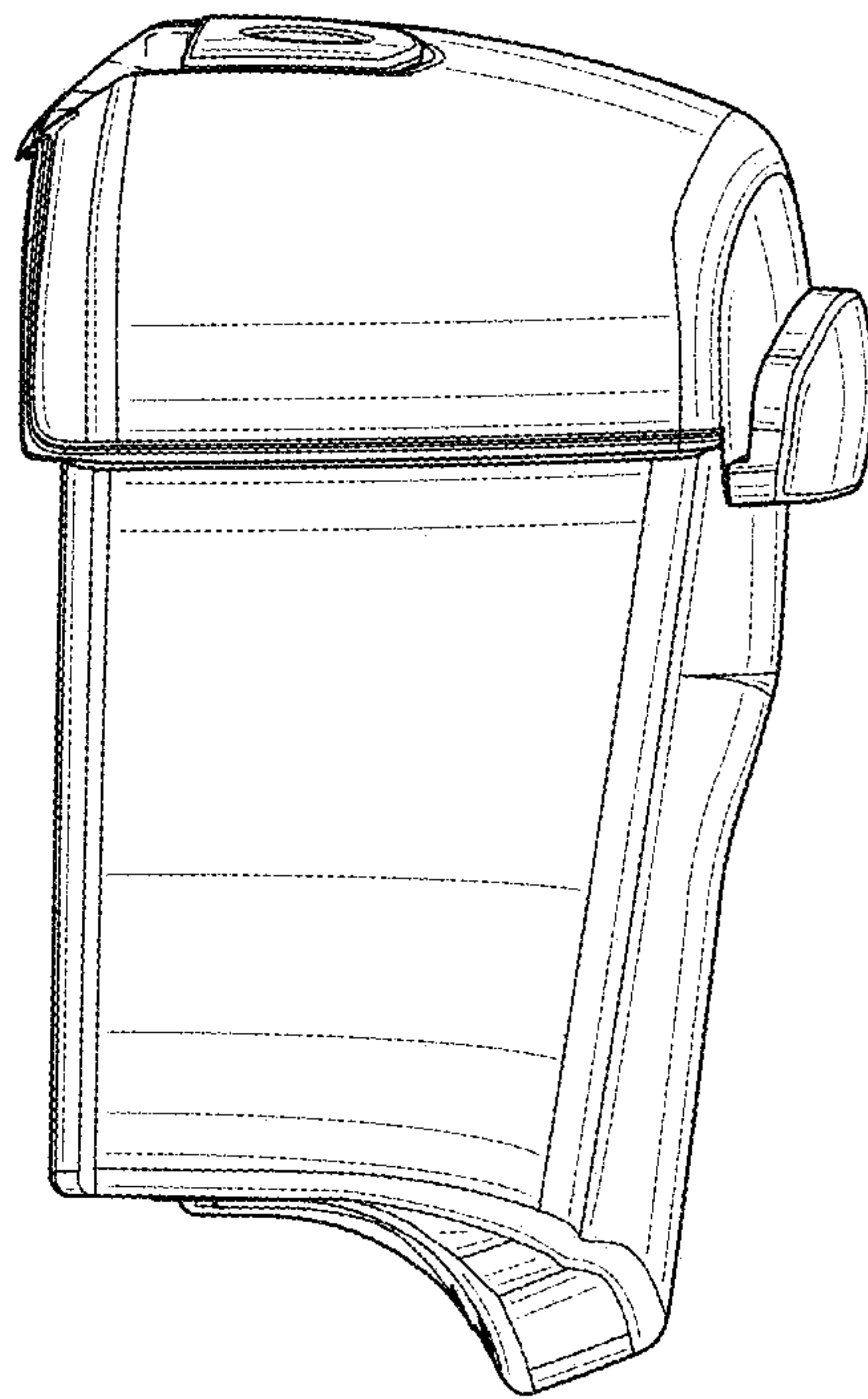


FIG. 3

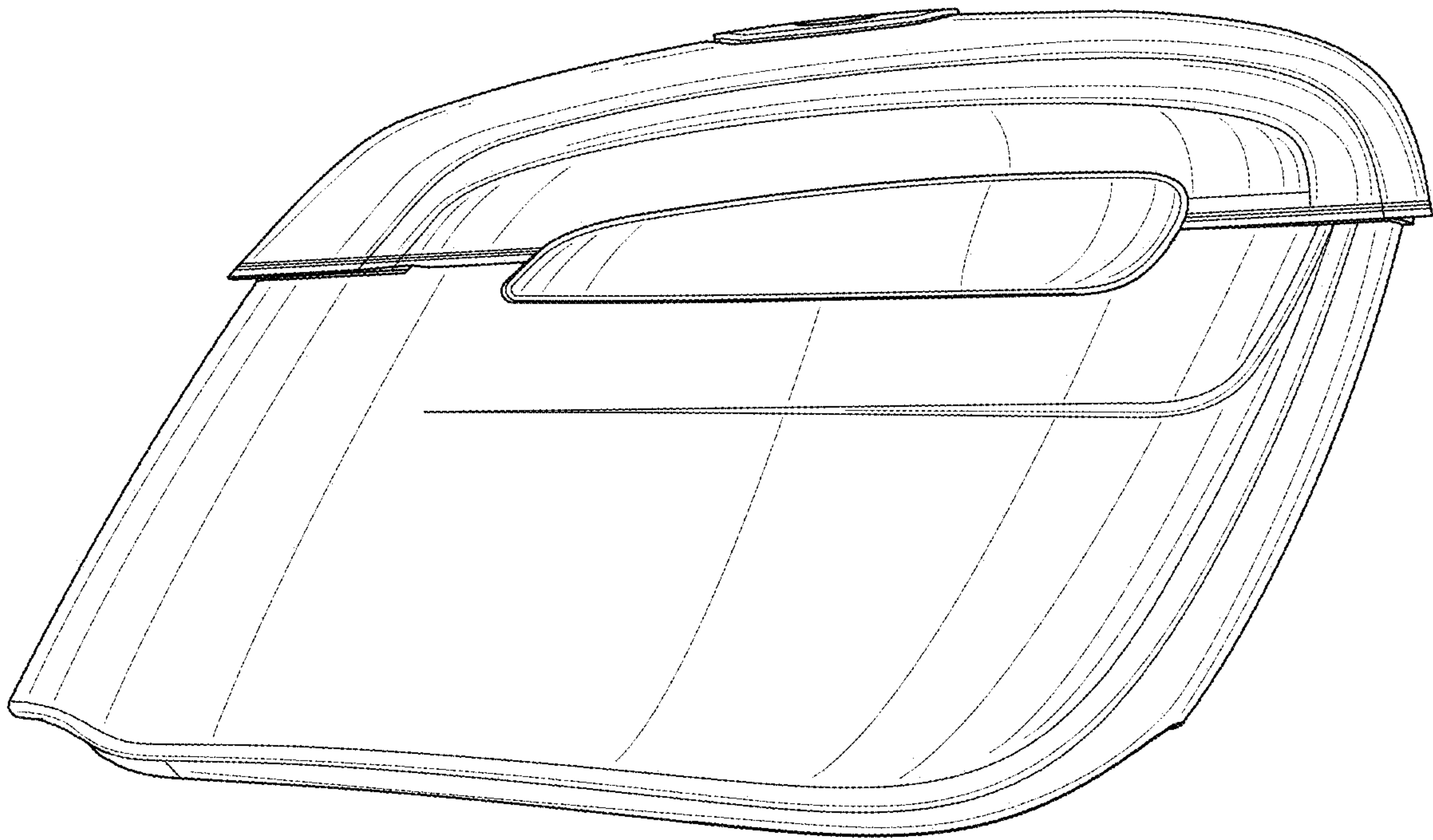


FIG. 4

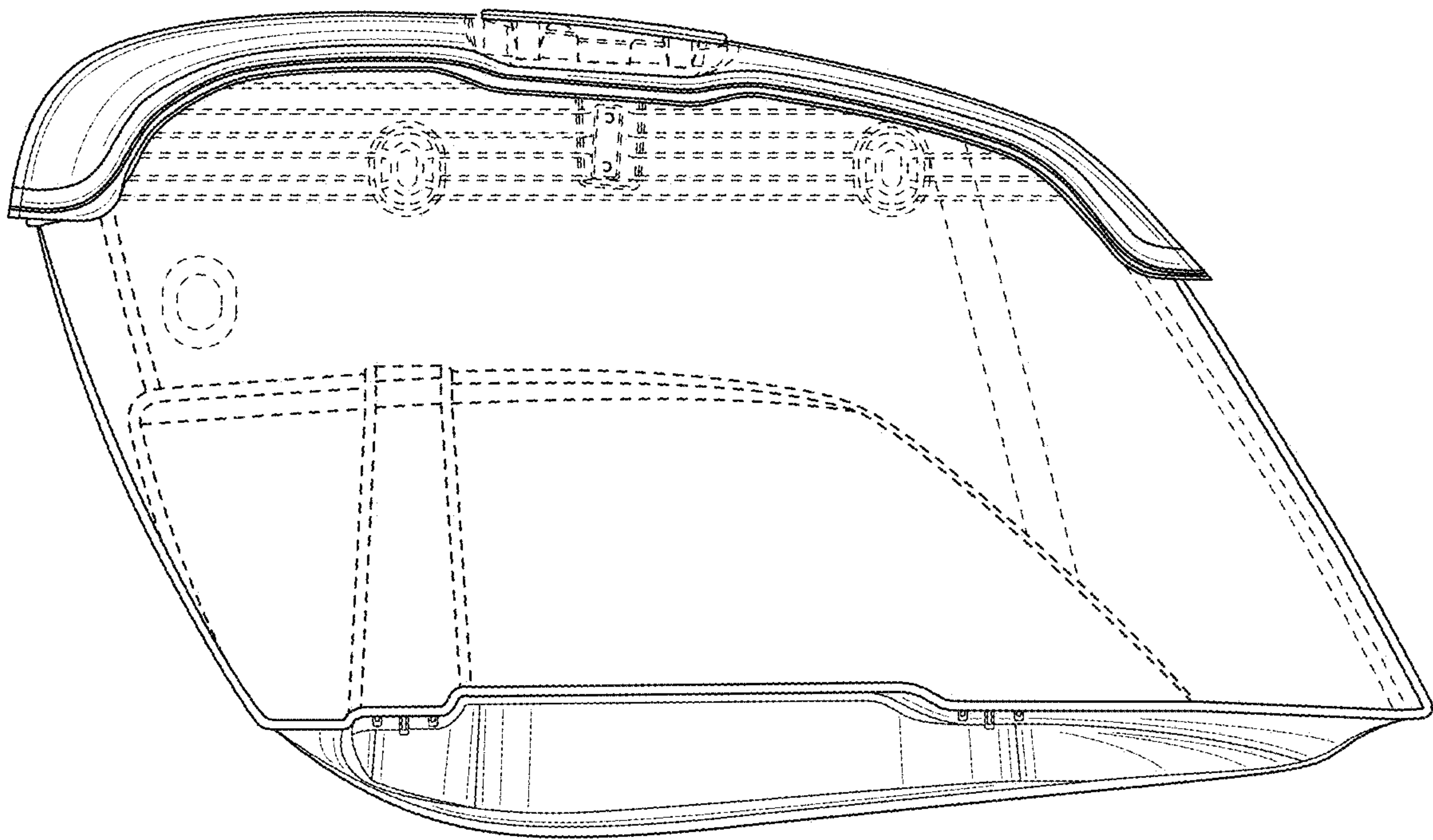


FIG. 5

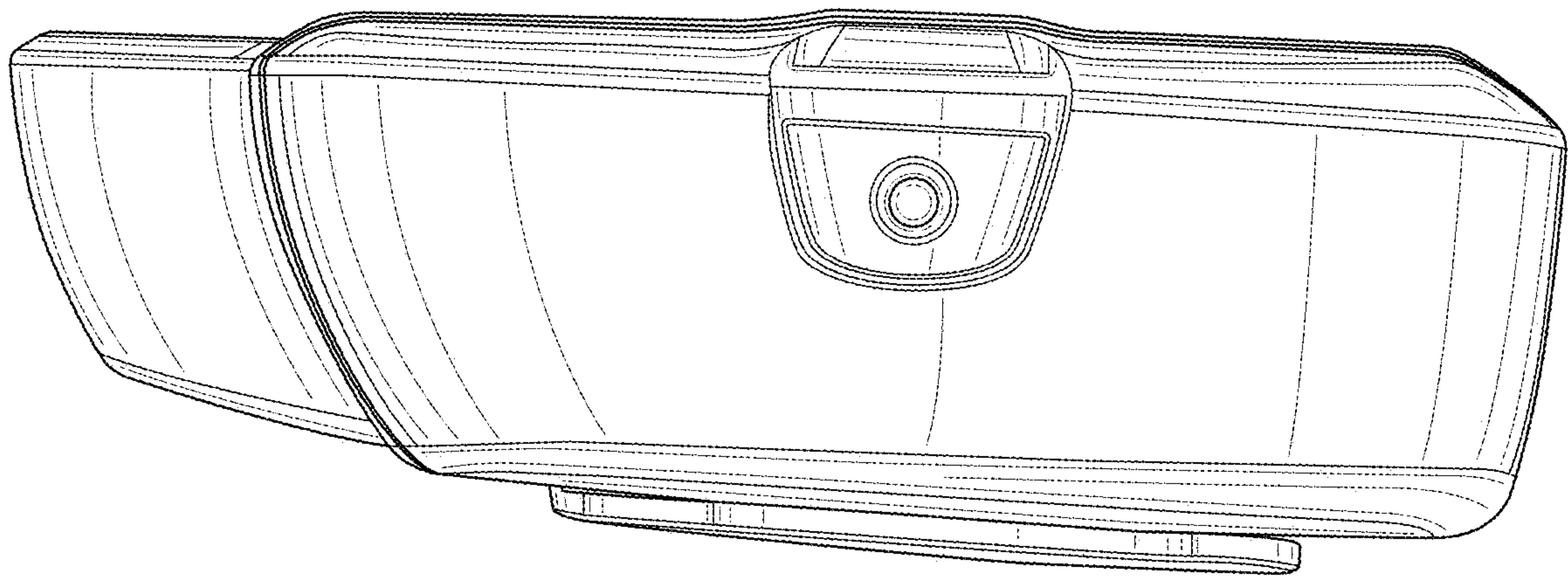


FIG. 6