



US00D987482S

(12) **United States Design Patent** (10) **Patent No.:** **US D987,482 S**
Peters (45) **Date of Patent:** **** May 30, 2023**

(54) **TRAVEL TRAILER**
(71) Applicant: **Elevate518 LLC**, Peru, NY (US)
(72) Inventor: **Steven Peters**, Peru, NY (US)
(73) Assignee: **Elevate518 LLC**, Peru, NY (US)
(**) Term: **15 Years**
(21) Appl. No.: **29/757,386**
(22) Filed: **Nov. 5, 2020**
(51) **LOC (14) Cl.** **12-16**
(52) **U.S. Cl.**
USPC **D12/103**
(58) **Field of Classification Search**
USPC D12/19, 129, 100-106; D21/1-112, 425,
D21/435; D34/21-26, 12, 16-19
CPC .. B62D 24/04; B62D 33/0612; B62D 33/077;
B62D 35/00; B60P 3/38; B60P 3/34;
B60P 3/1033; B60P 3/0257; B60P 3/10;
E01F 15/14
See application file for complete search history.

Primary Examiner — Katrina A Betton
(74) *Attorney, Agent, or Firm* — Woods Oviatt Gilman
LLP; Dennis B. Danella, Esq.

(57) **CLAIM**

The ornamental design for the travel trailer, as shown and described.

DESCRIPTION

FIG. 1 is a left side perspective view of a travel trailer showing one embodiment of my new design;
FIG. 2 is a left side view thereof;
FIG. 3 is a right side view thereof;
FIG. 4 is a top view thereof;
FIG. 5 is a rear view thereof;
FIG. 6 is a front view thereof;
FIG. 7 is a bottom view thereof;
FIG. 8 is a left side perspective view of a travel trailer showing another embodiment of my new design;
FIG. 9 is a left side view thereof;
FIG. 10 is a right side view thereof;
FIG. 11 is a top view thereof;
FIG. 12 is a rear view thereof;
FIG. 13 is a front view thereof;
FIG. 14 is a bottom view thereof;
FIG. 15 is a left side perspective view of a travel trailer showing another embodiment of my new design;
FIG. 16 is a left side view thereof;
FIG. 17 is a right side view thereof;
FIG. 18 is a top view thereof;
FIG. 19 is a rear view thereof;
FIG. 20 is a front view thereof; and,
FIG. 21 is a bottom view thereof.
The portions of the drawings shown in broken lines form no part of the claimed design.

(56) **References Cited**

U.S. PATENT DOCUMENTS

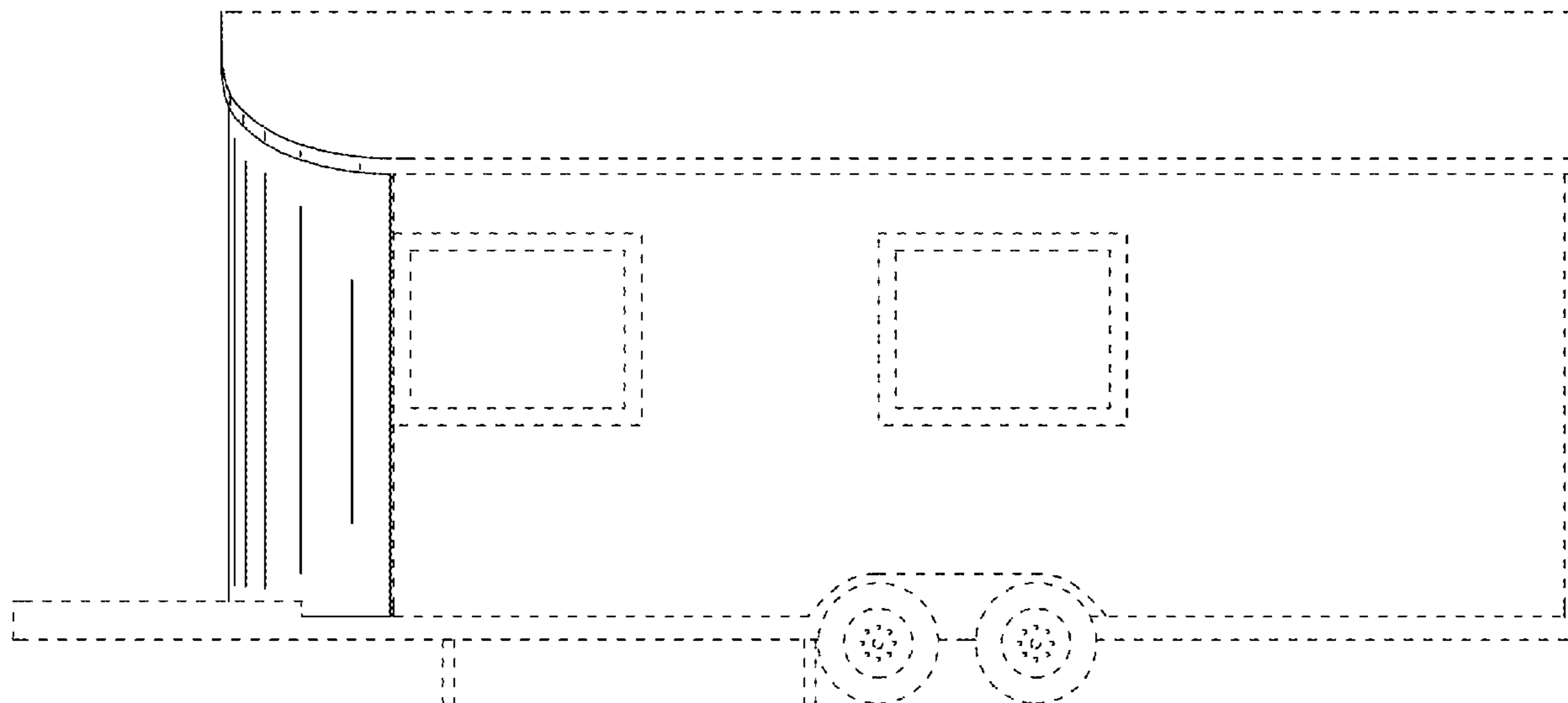
D852,676 S	*	7/2019	Roberts	D12/103
D854,451 S	*	7/2019	Roberts	D12/103
D867,934 S	*	11/2019	Gaesser	D12/103
D886,682 S	*	6/2020	Matthews	D12/103
D932,375 S	*	10/2021	Canaday	D12/102
D935,352 S	*	11/2021	Guo	D12/103
D942,330 S	*	2/2022	DeVine	D12/103
D947,720 S	*	4/2022	Egilsson	D12/103
D955,296 S	*	6/2022	Sohn	D12/103
D958,699 S	*	7/2022	Canaday	D12/106
D960,767 S	*	8/2022	Montesalvo	D12/103
D961,455 S	*	8/2022	Baldursson	D12/103

OTHER PUBLICATIONS

Tsuji, Christopher, Examination Report, Canadian Patent Application No. 202811, dated Oct. 3, 2022, Quebec, Canada (2 pages).

* cited by examiner

1 Claim, 18 Drawing Sheets



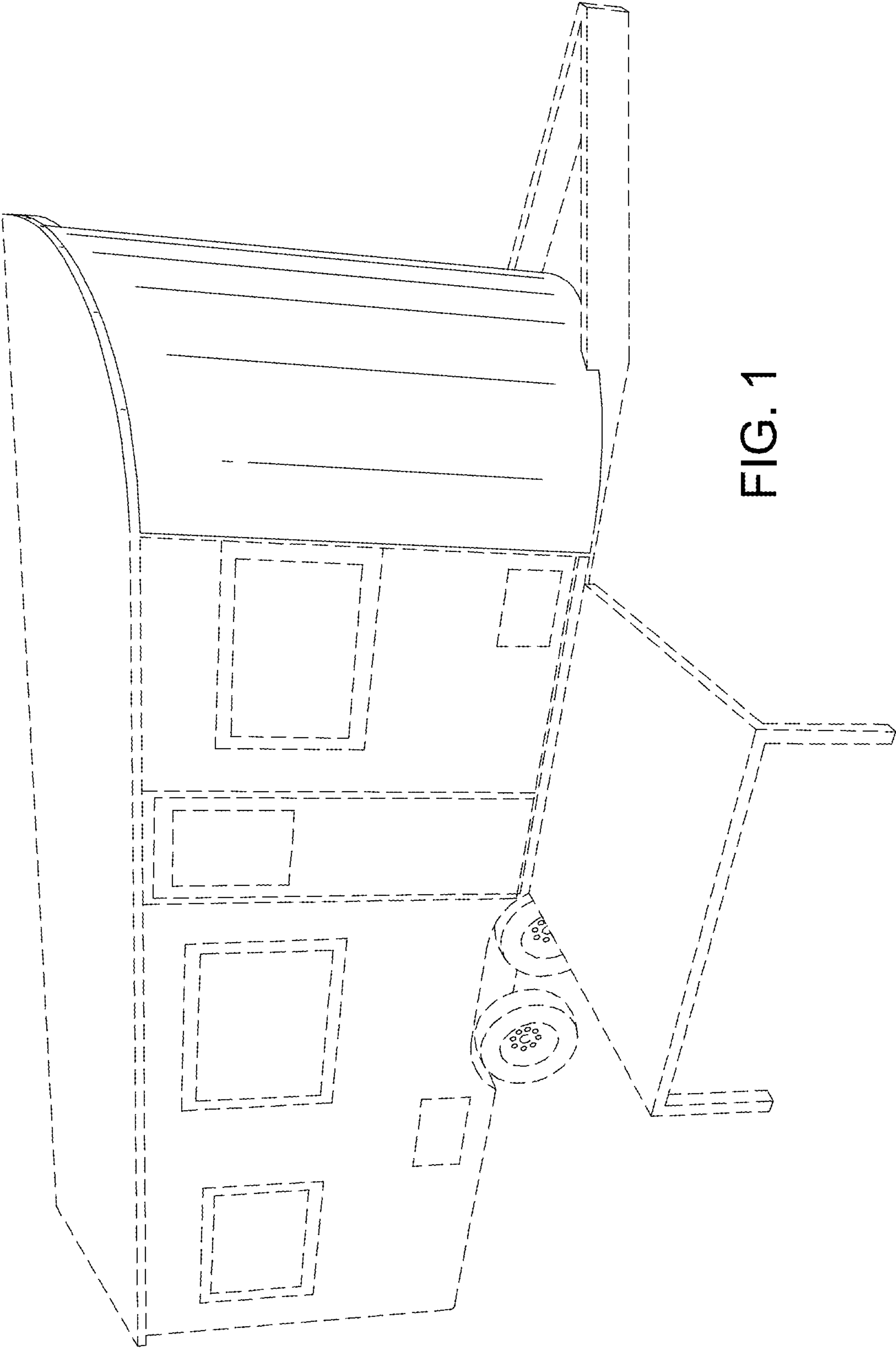


FIG. 1

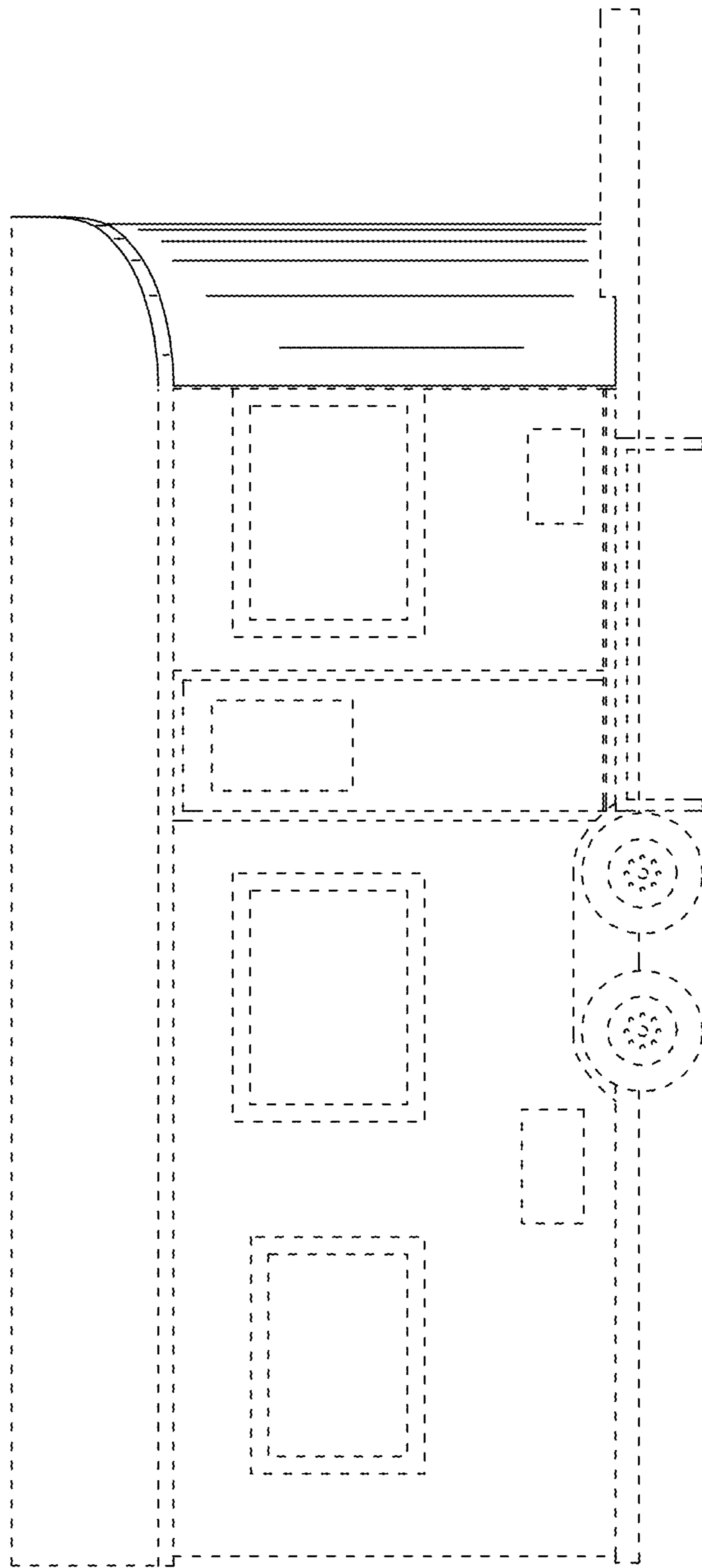


FIG. 2

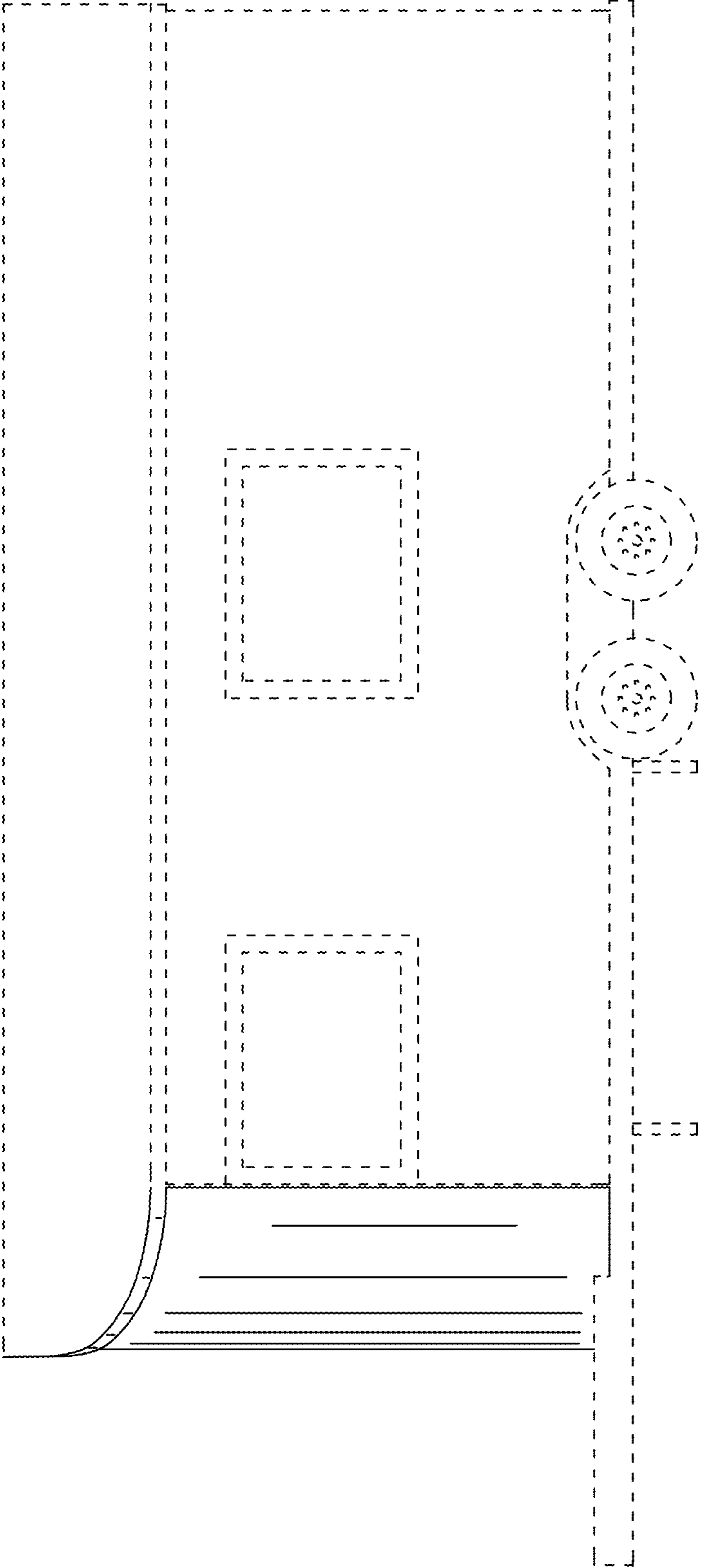


FIG. 3

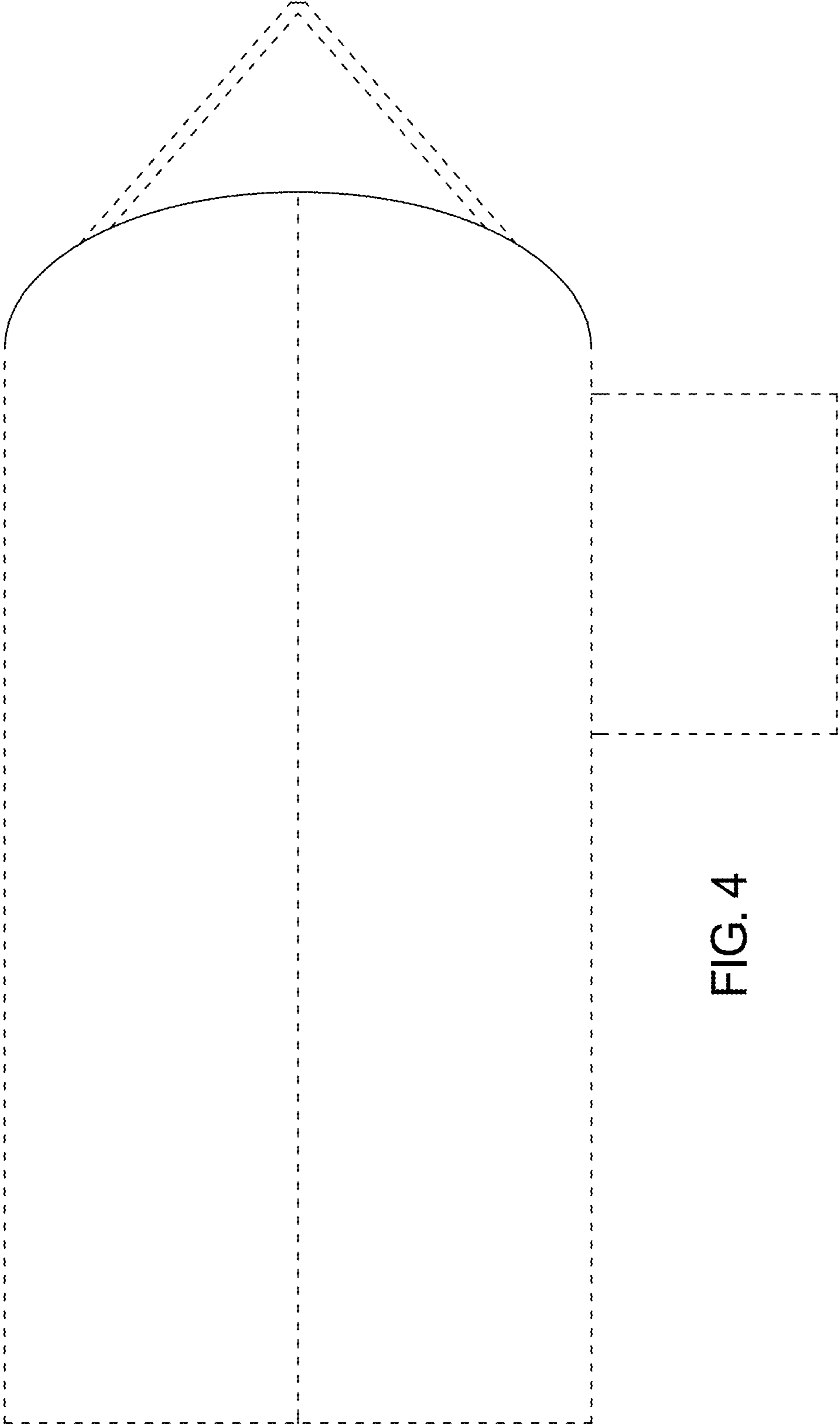


FIG. 4

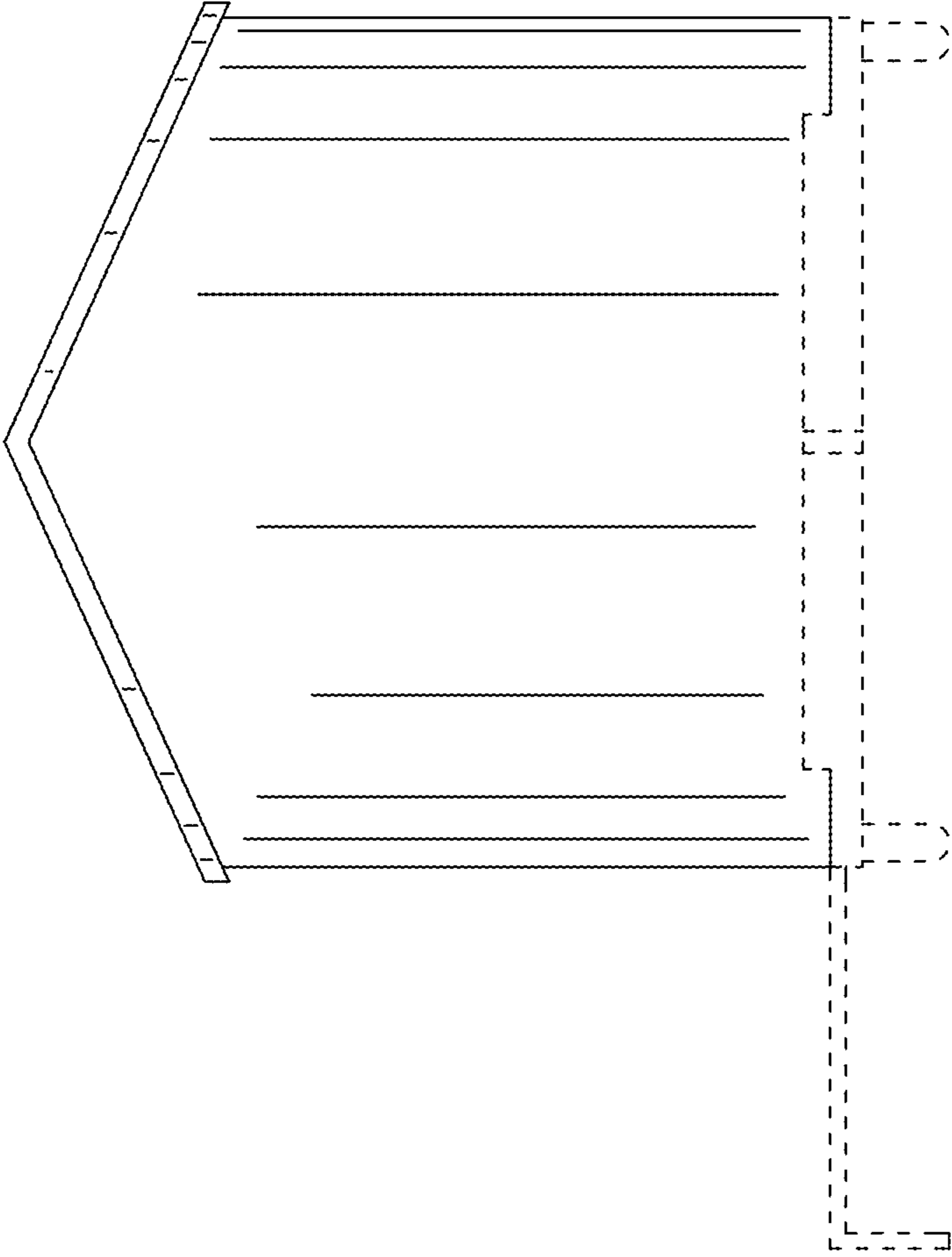


FIG. 6

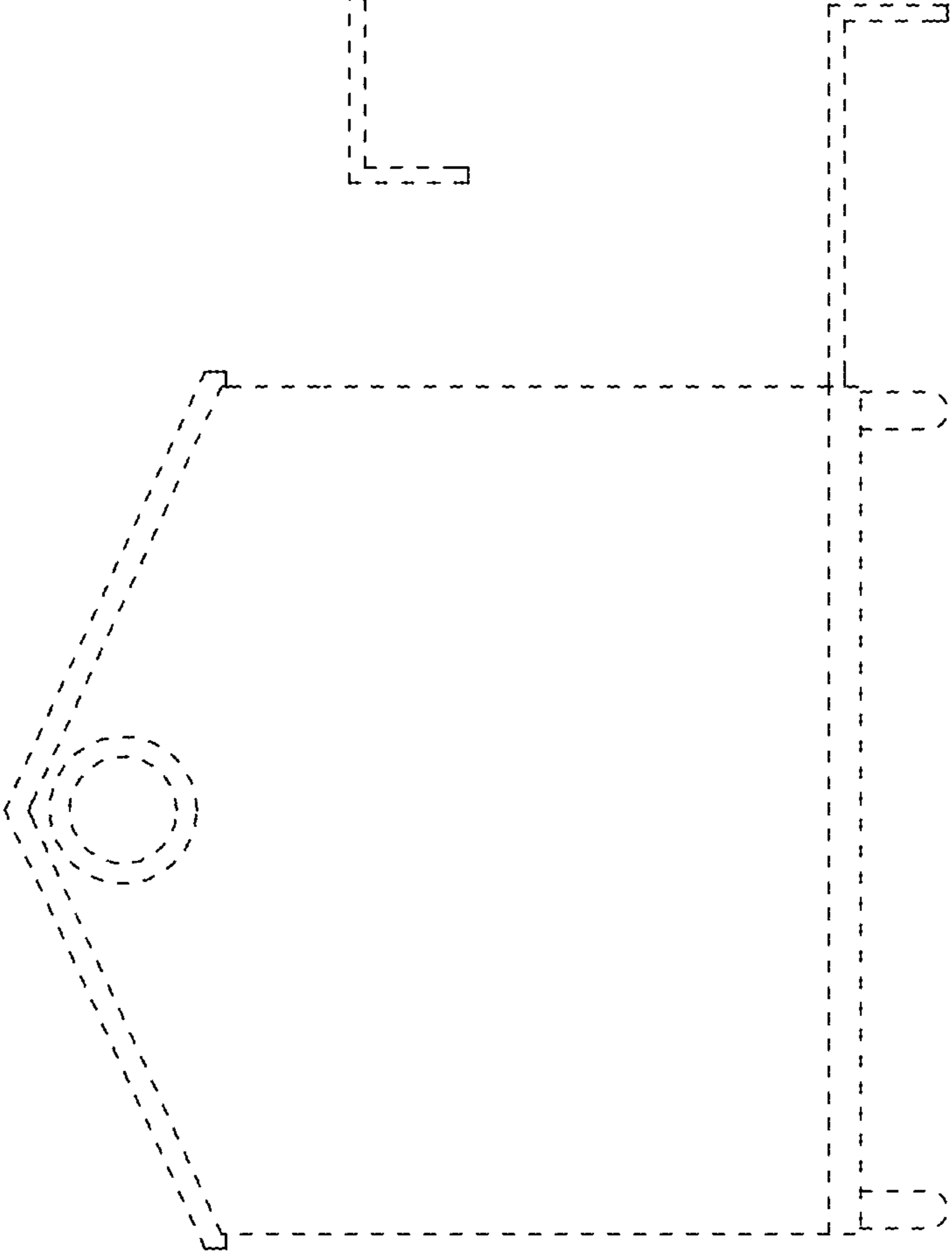


FIG. 5

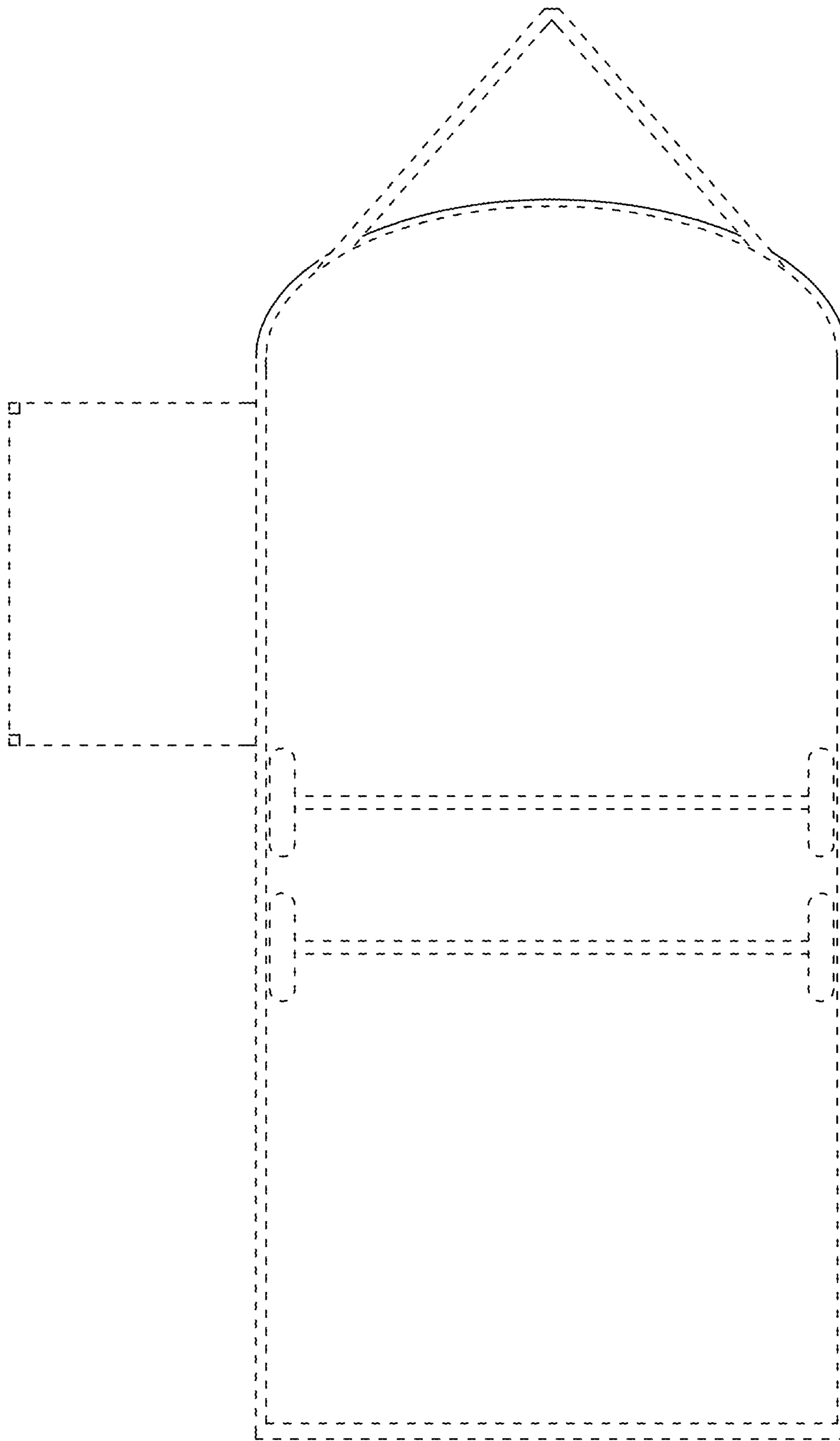


FIG. 7

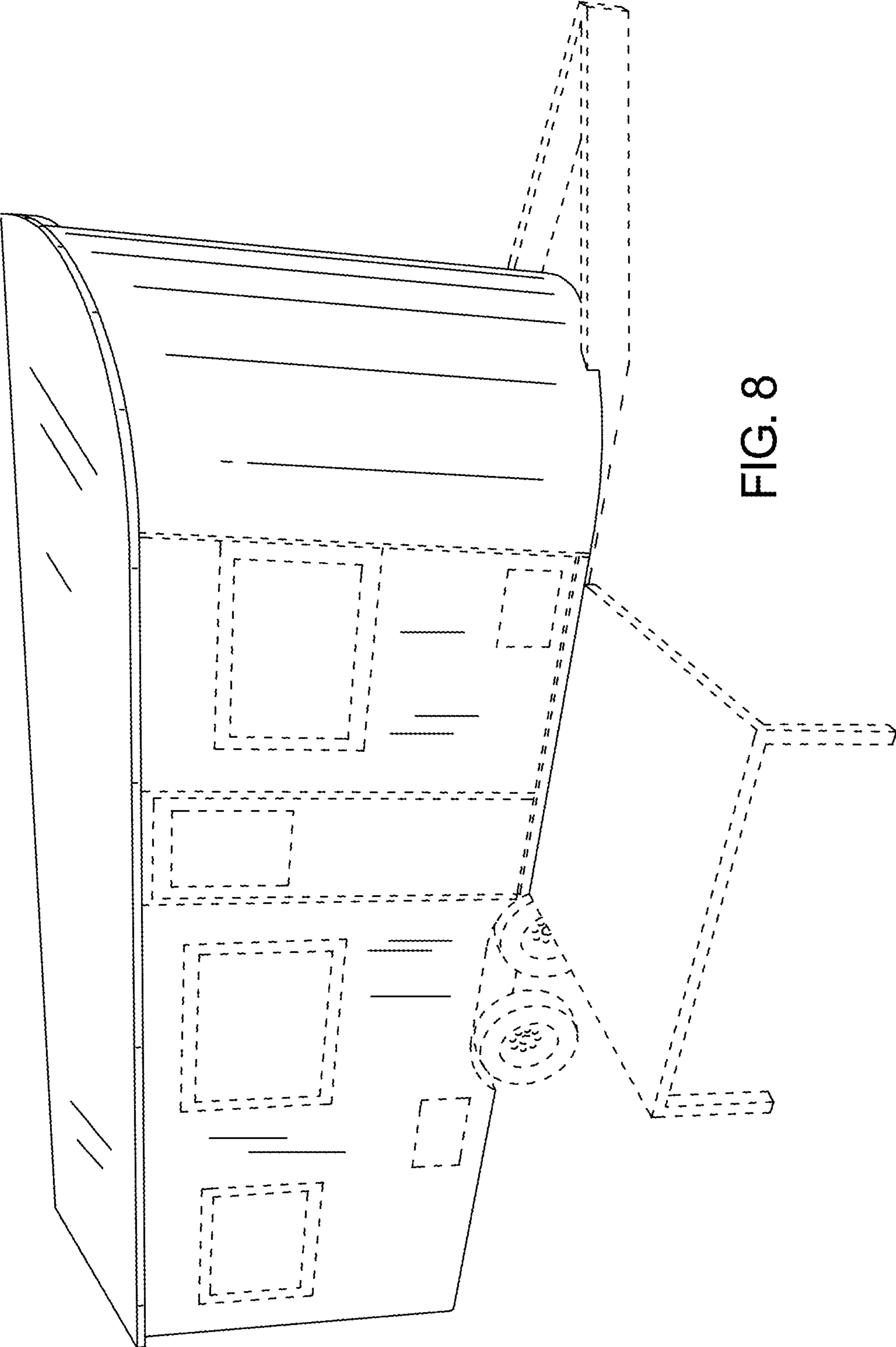


FIG. 8

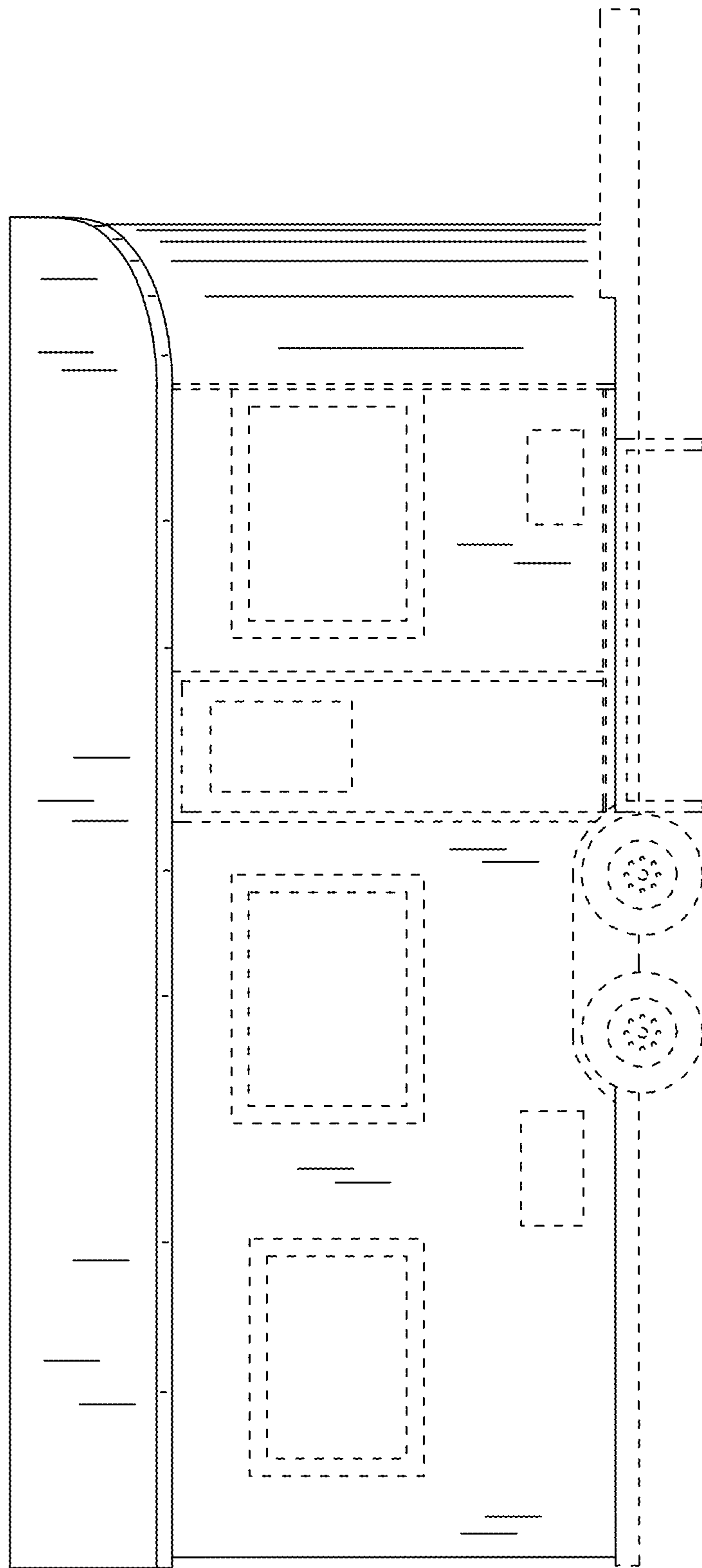


FIG. 9

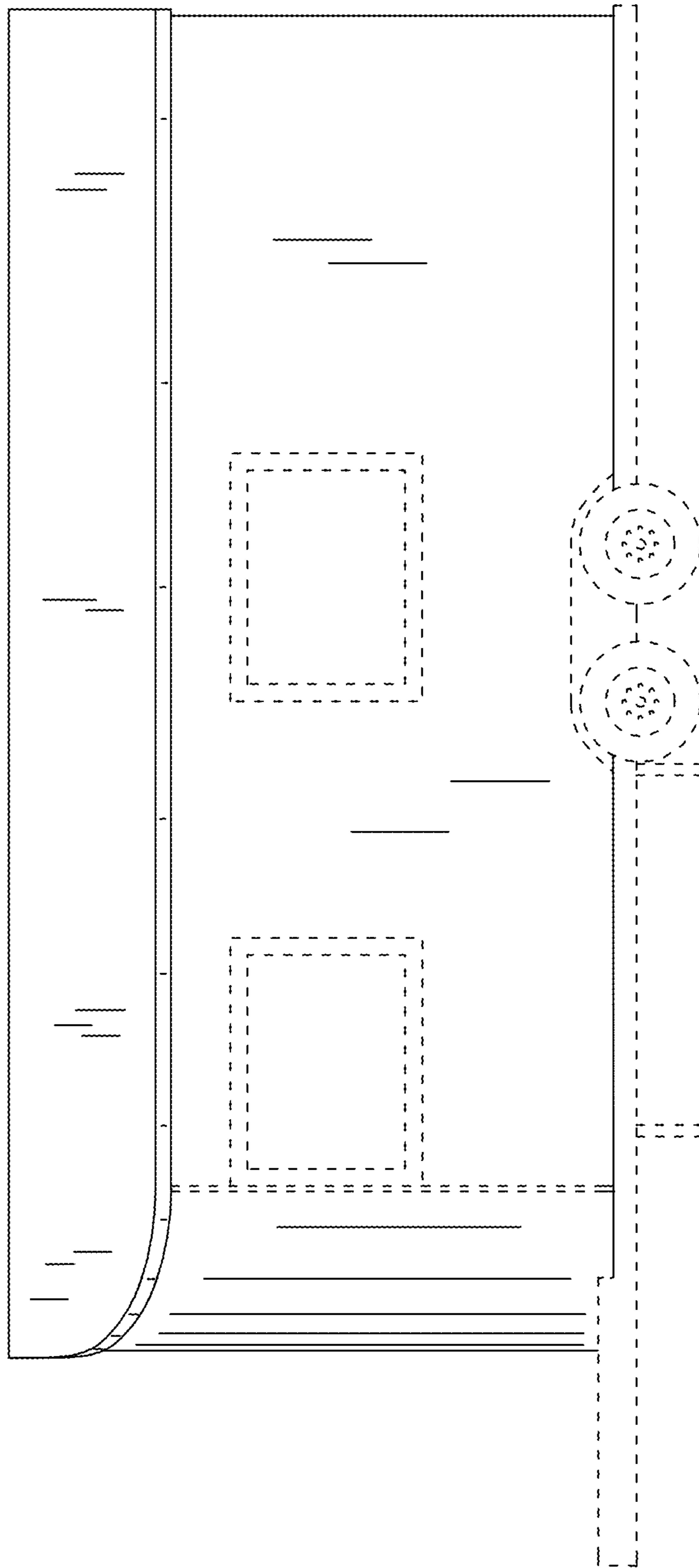


FIG. 10

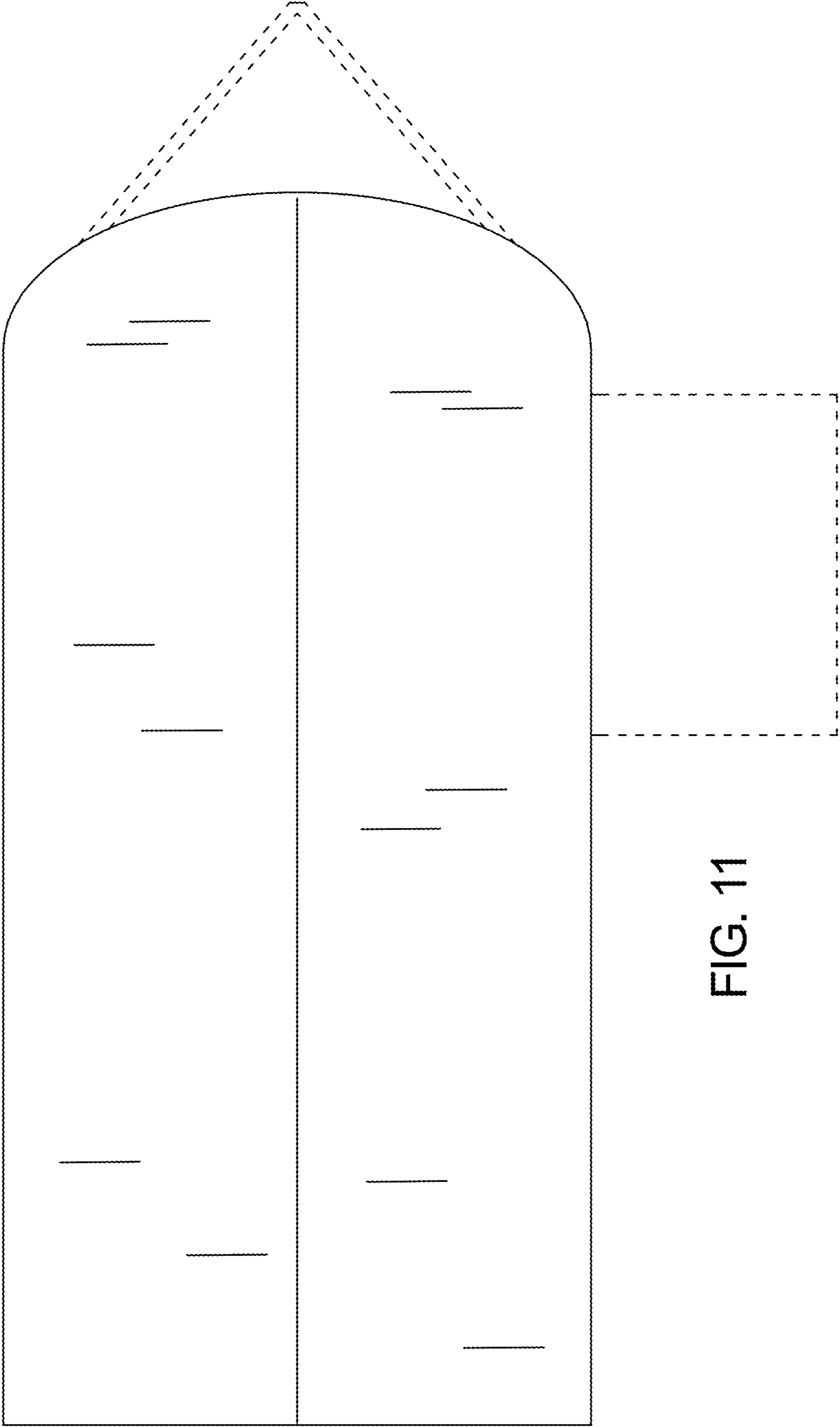


FIG. 11

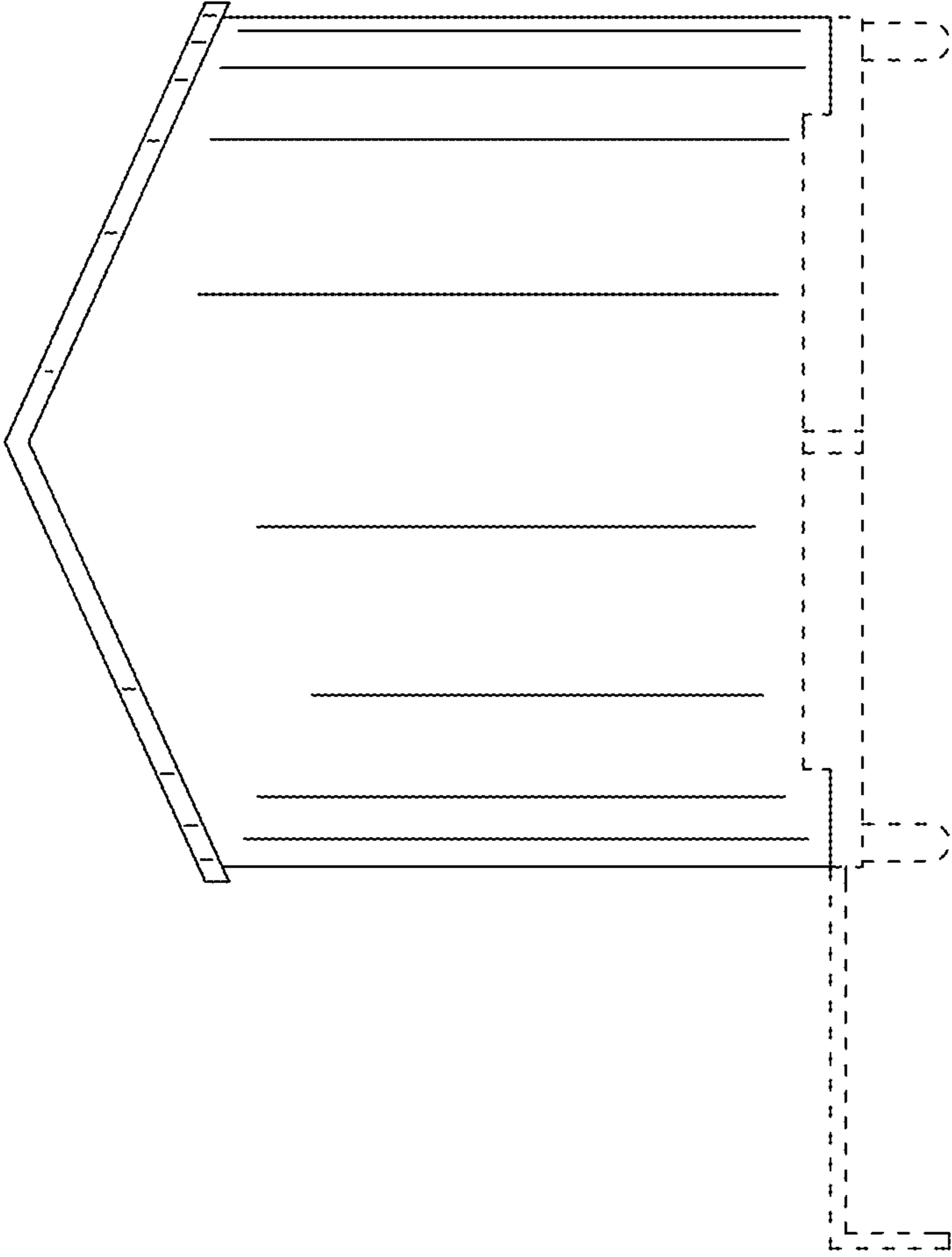


FIG. 13

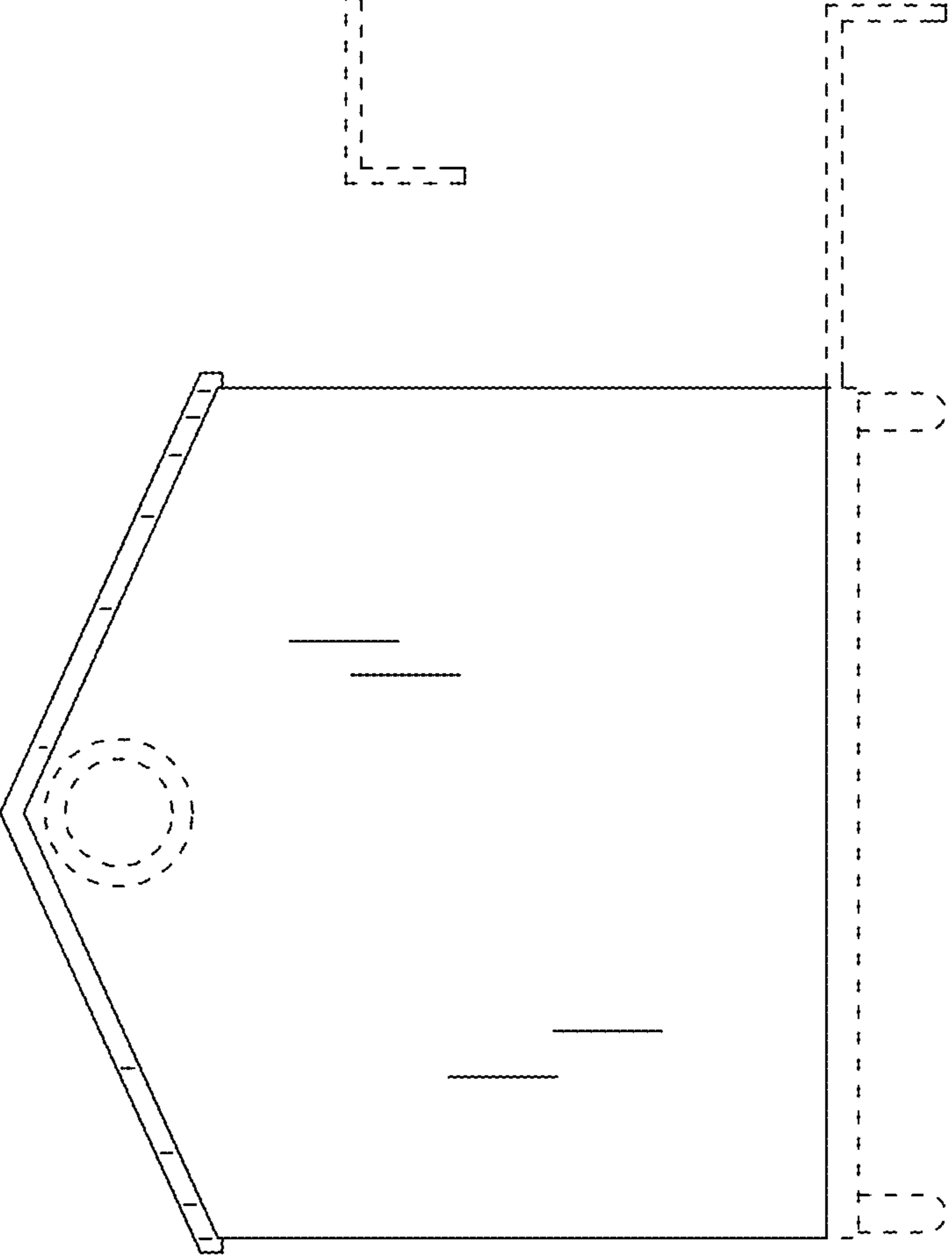


FIG. 12

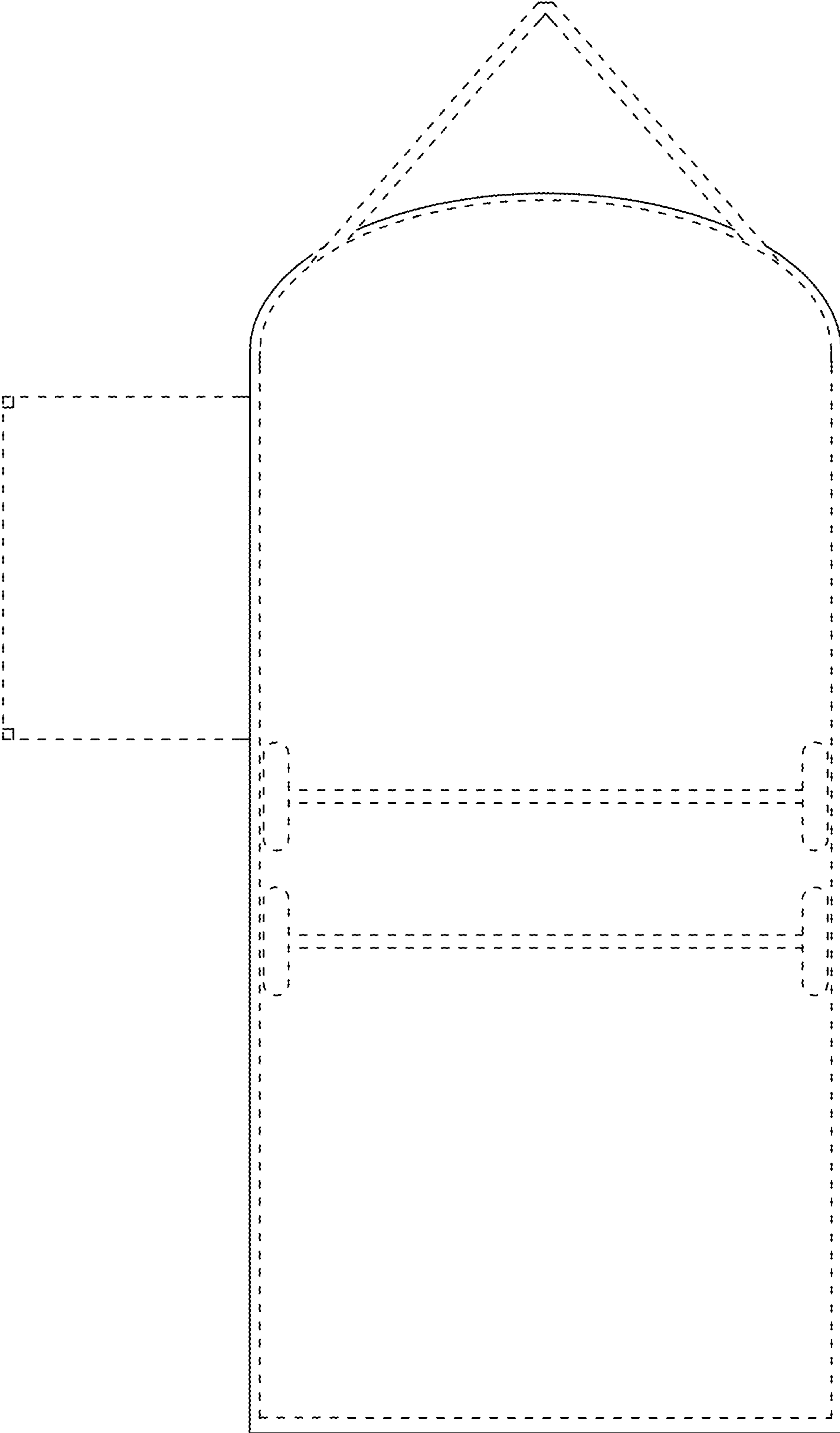


FIG. 14

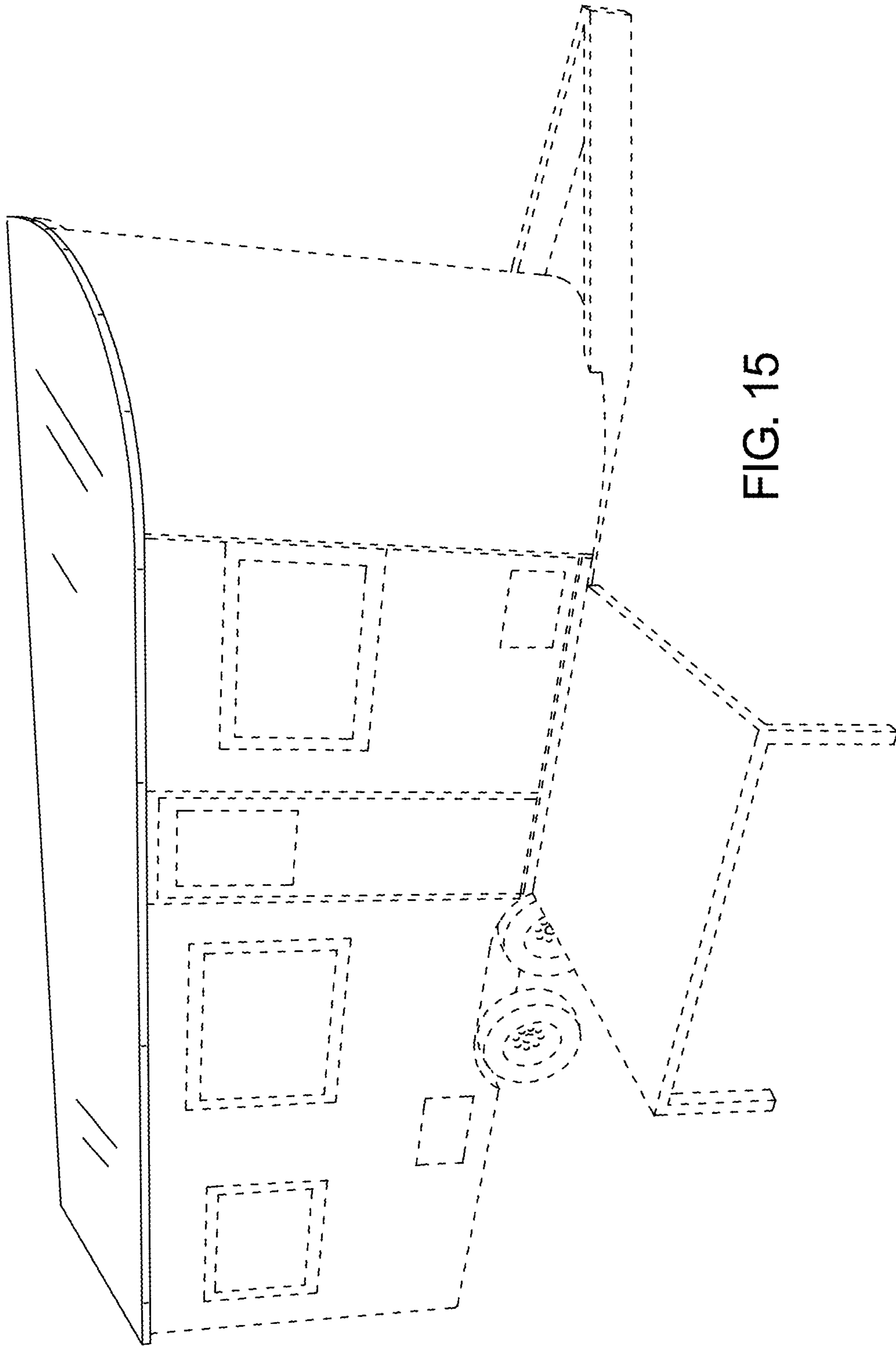


FIG. 15

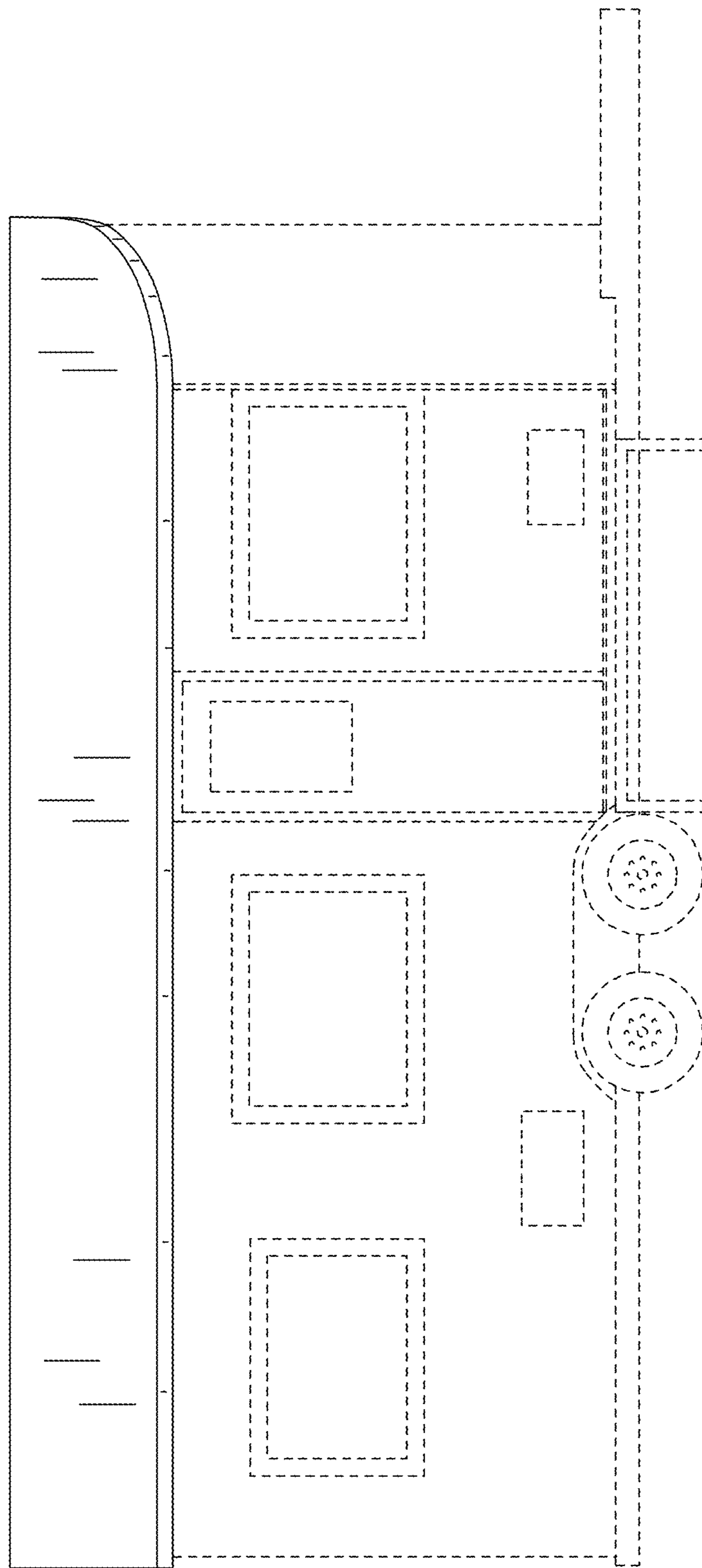


FIG. 16

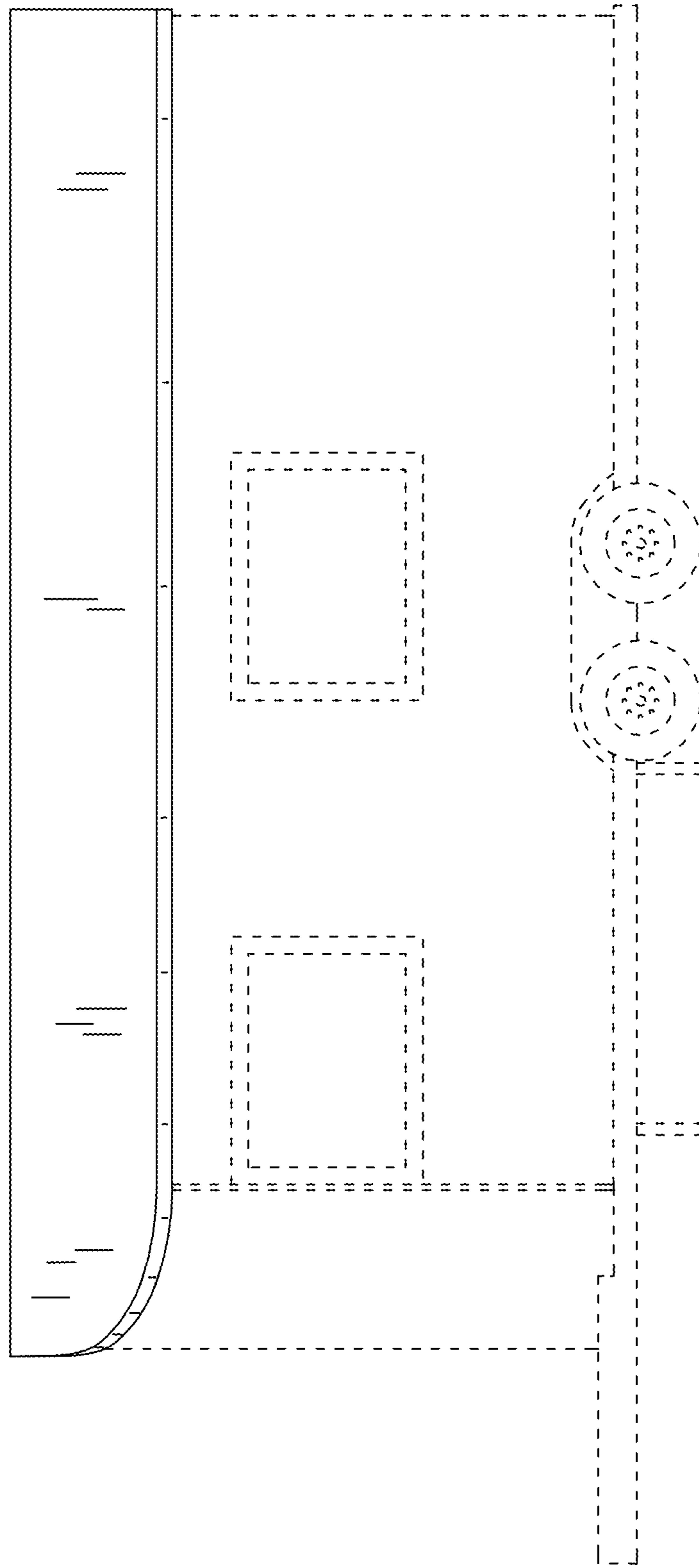


FIG. 17

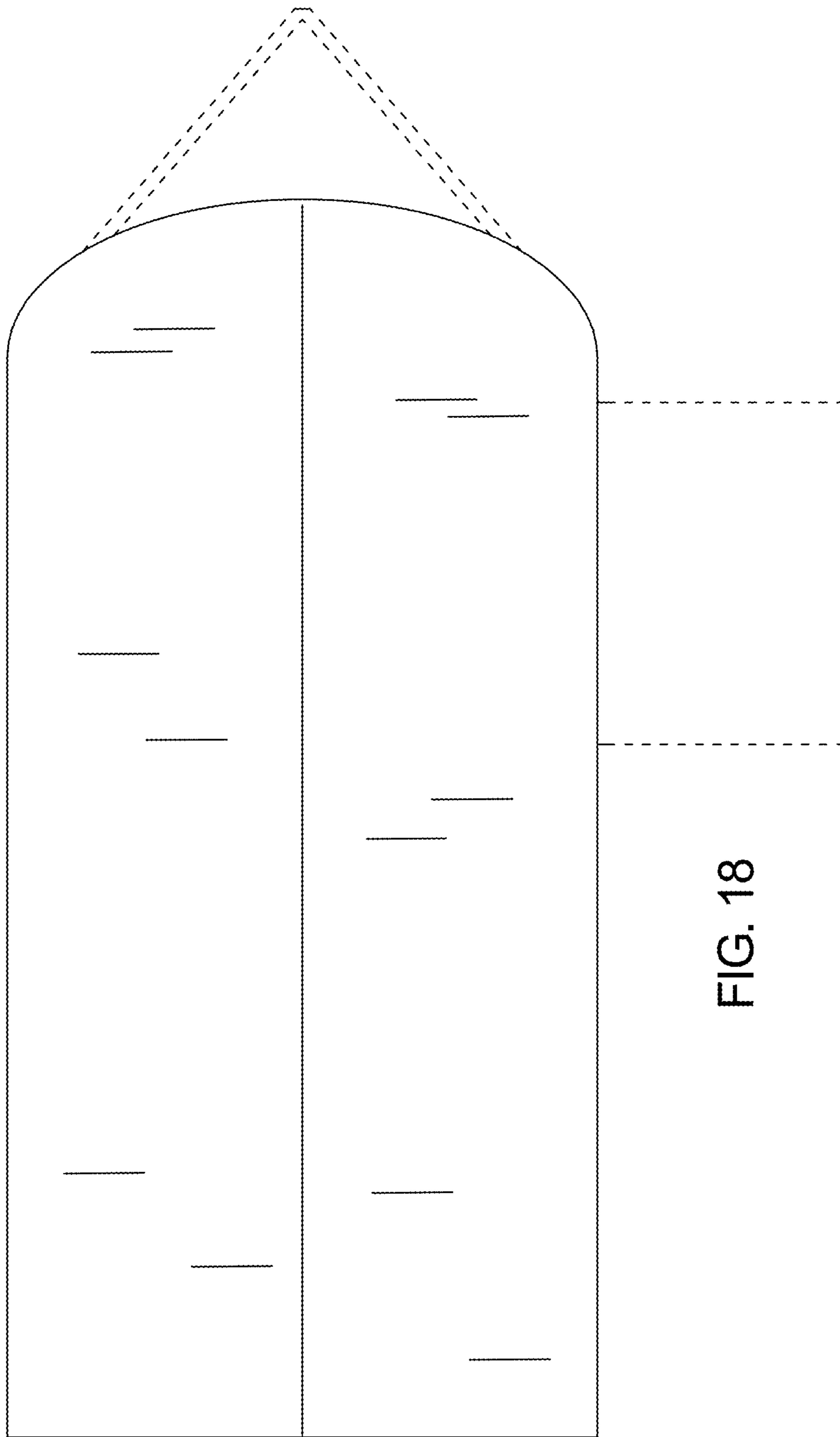


FIG. 18

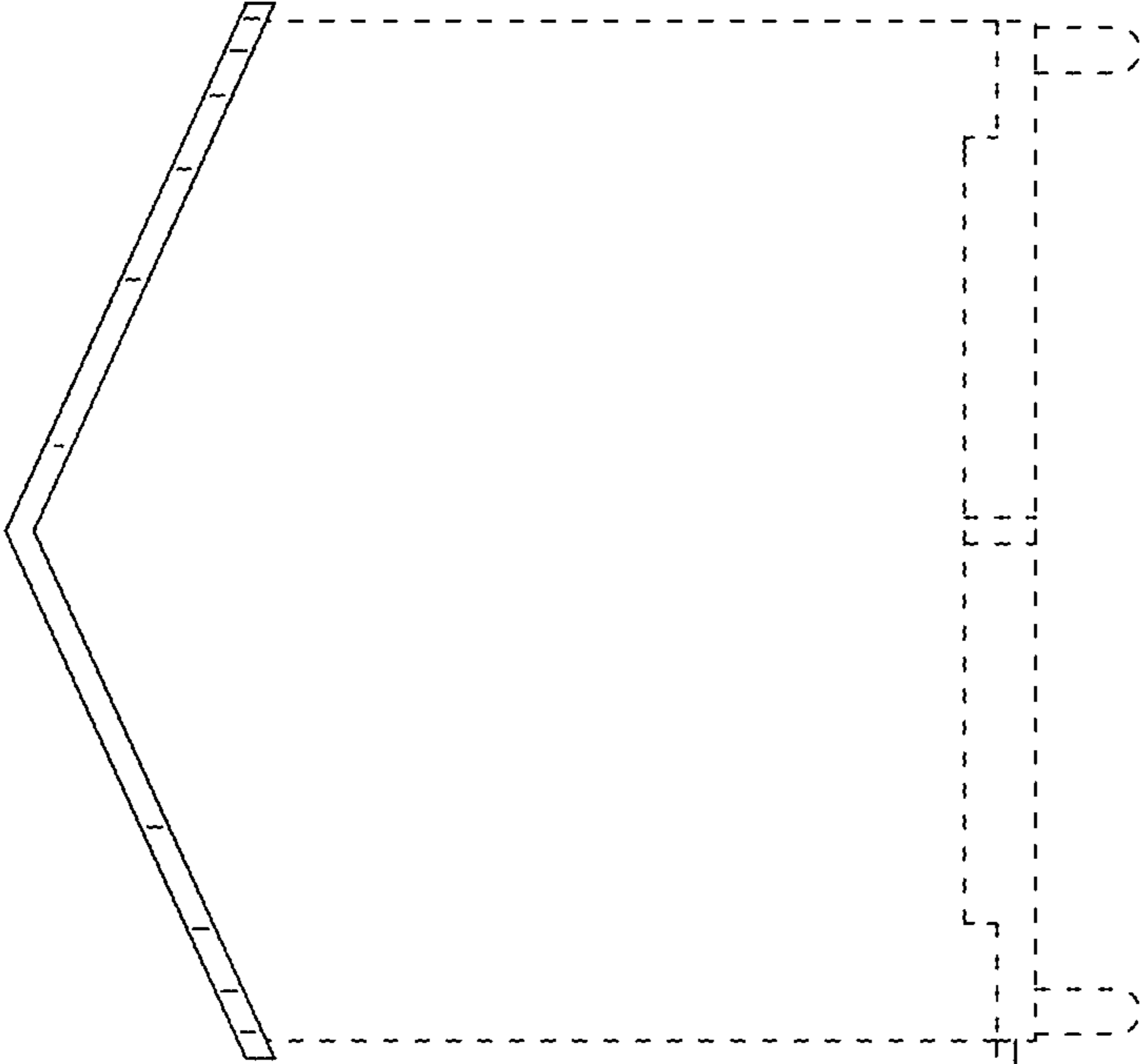


FIG. 20

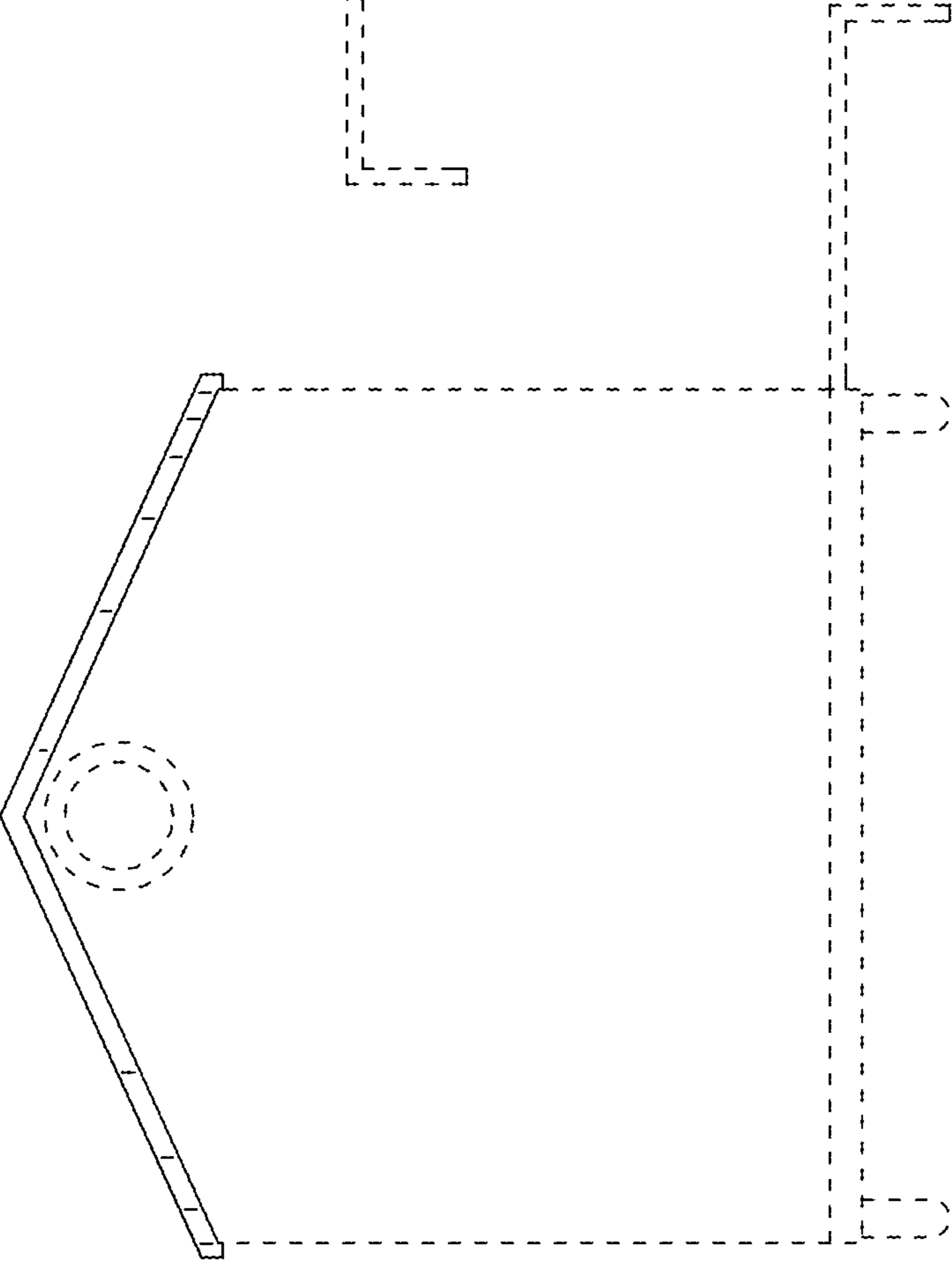


FIG. 19

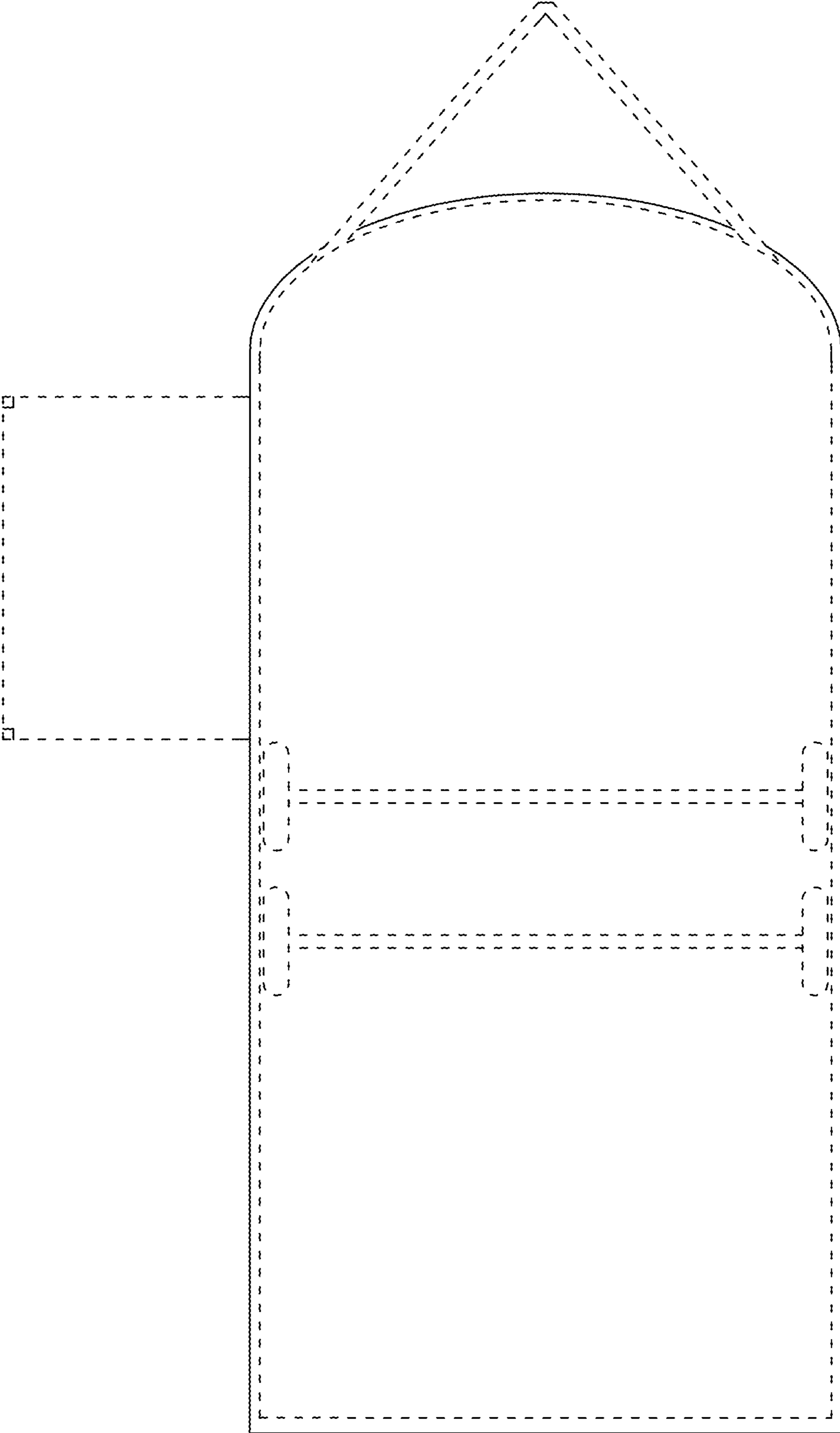


FIG. 21