



US00D987477S

(12) **United States Design Patent**  
**Thurner**

(10) **Patent No.:** **US D987,477 S**

(45) **Date of Patent:** **\*\* May 30, 2023**

(54) **MOTOR VEHICLE BODY**

(71) Applicant: **Thurner Inc.**, Irvine, CA (US)

(72) Inventor: **Andreas Thurner**, Irvine, CA (US)

(73) Assignee: **MULLEN TECHNOLOGIES, INC.**,  
Brea, CA (US)

(\*\*) Term: **15 Years**

(21) Appl. No.: **29/783,309**

(22) Filed: **May 12, 2021**

(51) **LOC (14) Cl.** ..... **12-08**

(52) **U.S. Cl.**  
USPC ..... **D12/91**

(58) **Field of Classification Search**  
USPC .... D12/86, 90-92, 164; D21/433, 434, 533,  
D21/535; 296/181.1-181.5, 183.1  
CPC ..... B62D 25/00; B62D 25/06; B62D 33/00;  
B62D 35/00  
See application file for complete search history.

(56) **References Cited**

**U.S. PATENT DOCUMENTS**

D855,497 S	*	8/2019	Kim	.....	D12/91
D881,755 S	*	4/2020	Tomasson	.....	D12/91
D897,240 S		9/2020	Al Attar		
D899,304 S		10/2020	Palazzo et al.		
D899,305 S		10/2020	Melville et al.		
D899,970 S		10/2020	Tanaka et al.		
D899,971 S		10/2020	Tanaka et al.		
D899,991 S		10/2020	Kim et al.		
D901,332 S		11/2020	Lee et al.		
D902,103 S		11/2020	Al Attar		
D902,783 S		11/2020	Manzoni		
D902,784 S		11/2020	Manzoni		
D904,232 S	*	12/2020	Luchner	.....	D12/91
D905,598 S		12/2020	Vicente		
D905,615 S		12/2020	Patrech		

D906,175 S	*	12/2020	Mayer	.....	D12/91
D906,177 S		12/2020	Sahara		
D906,211 S		12/2020	Manzoni		
D906,440 S		12/2020	Sterner		
D906,884 S		1/2021	Bischoff et al.		
D906,885 S		1/2021	Badstuebner et al.		
D906,903 S		1/2021	Chen		
D908,814 S		1/2021	Wozniak		
D909,245 S		2/2021	Busse		
D909,246 S		2/2021	Busse		
D911,234 S		2/2021	Manzoni		
D911,252 S		2/2021	Muratovic		
D911,874 S		3/2021	Melville et al.		
D911,878 S		3/2021	Zeng et al.		

(Continued)

*Primary Examiner* — Melody N Brown

(74) *Attorney, Agent, or Firm* — Van Court & Aldridge  
LLP

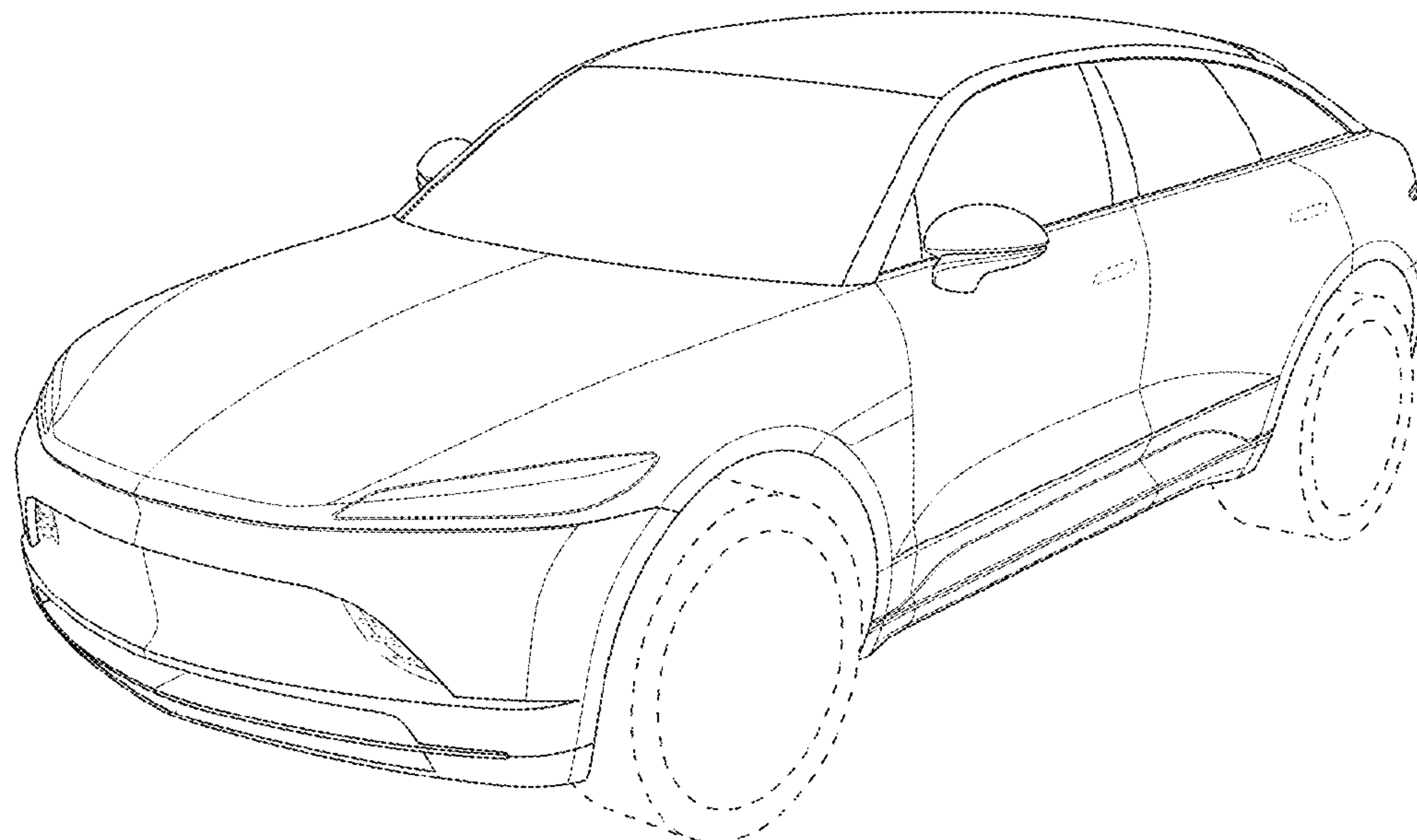
(57) **CLAIM**

I claim the ornamental design for a motor vehicle body, as shown and described.

**DESCRIPTION**

FIG. 1 is a top, front, and right side perspective view of a motor vehicle body showing my new design;  
 FIG. 2 is a front elevational view thereof;  
 FIG. 3 is a right side elevational view thereof;  
 FIG. 4 is a rear elevational view thereof;  
 FIG. 5 is a left side elevational view thereof;  
 FIG. 6 is a top plan view thereof;  
 FIG. 7 is a bottom plan view thereof; and,  
 FIG. 8 is a top, rear, and right side perspective view thereof.  
 The broken lines depicting portions of the vehicle form no part of the claim.  
 The portions of the motor vehicle body shown in broken lines throughout the drawings views are for illustrative and environmental purposes that form no part of the claimed design.

**1 Claim, 5 Drawing Sheets**



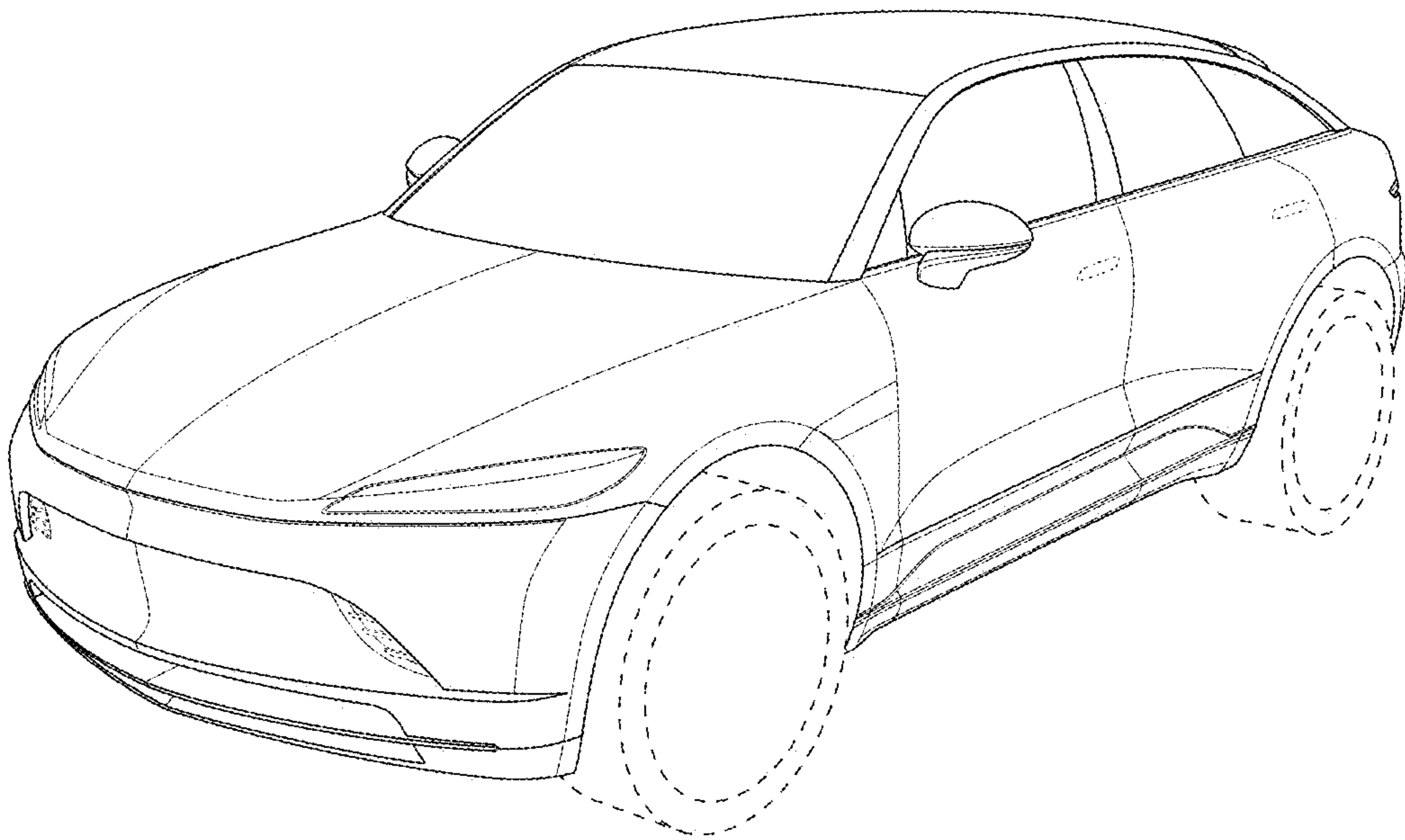
(56)

**References Cited**

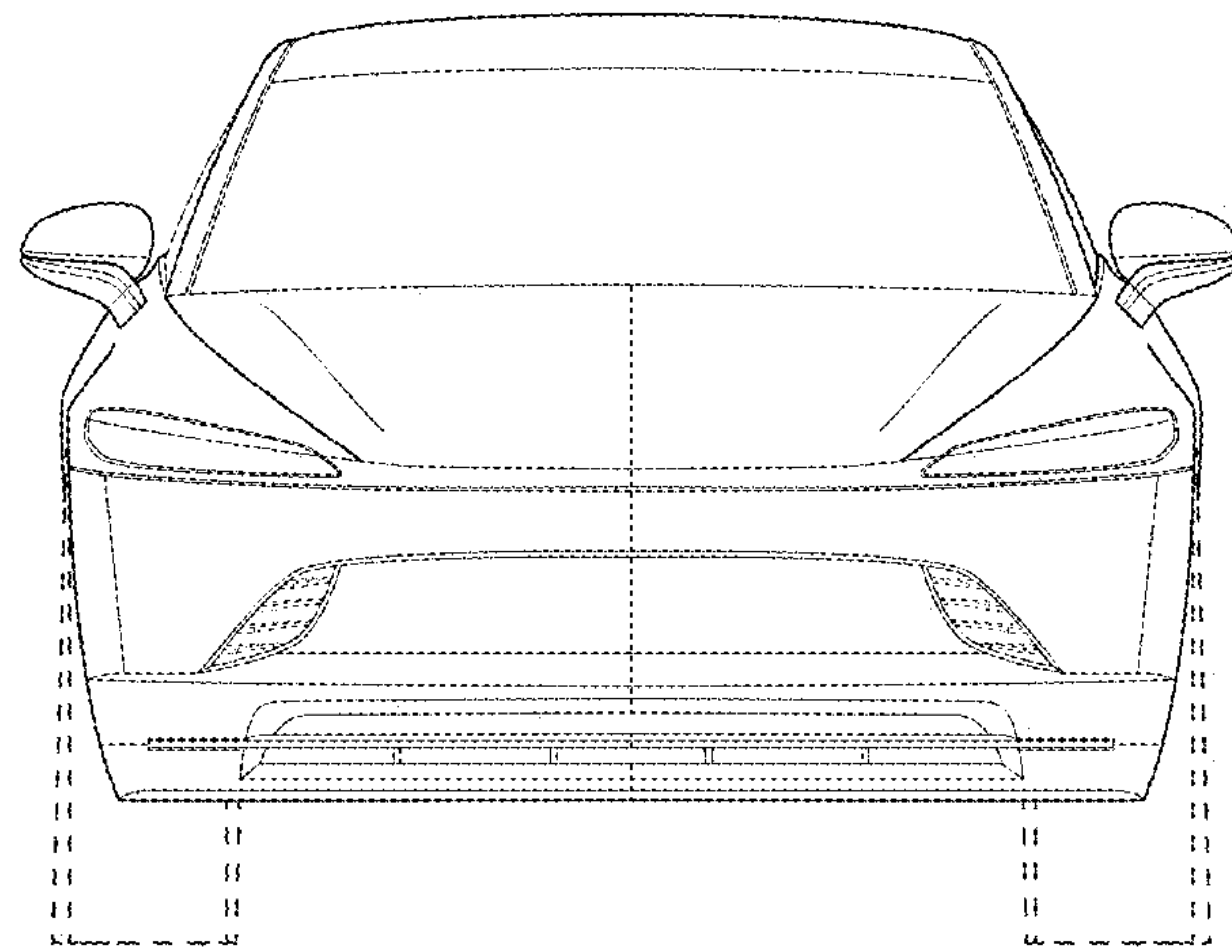
U.S. PATENT DOCUMENTS

D912,576 S	3/2021	Melville et al.	
D913,159 S	3/2021	Melville et al.	
D913,845 S	3/2021	Cattabriga et al.	
D913,856 S	3/2021	Lenglin	
D913,866 S	3/2021	Huang	
D915,239 S	4/2021	Cattabriga et al.	
D918,088 S	5/2021	Lee	
D918,093 S	5/2021	Torone	
D918,312 S	5/2021	Manzoni	
D929,902 S *	9/2021	Billes .....	D12/91
D929,903 S *	9/2021	Sperling .....	D12/91
D934,734 S *	11/2021	Kim .....	D12/91
D945,321 S *	3/2022	Seebers .....	D12/91

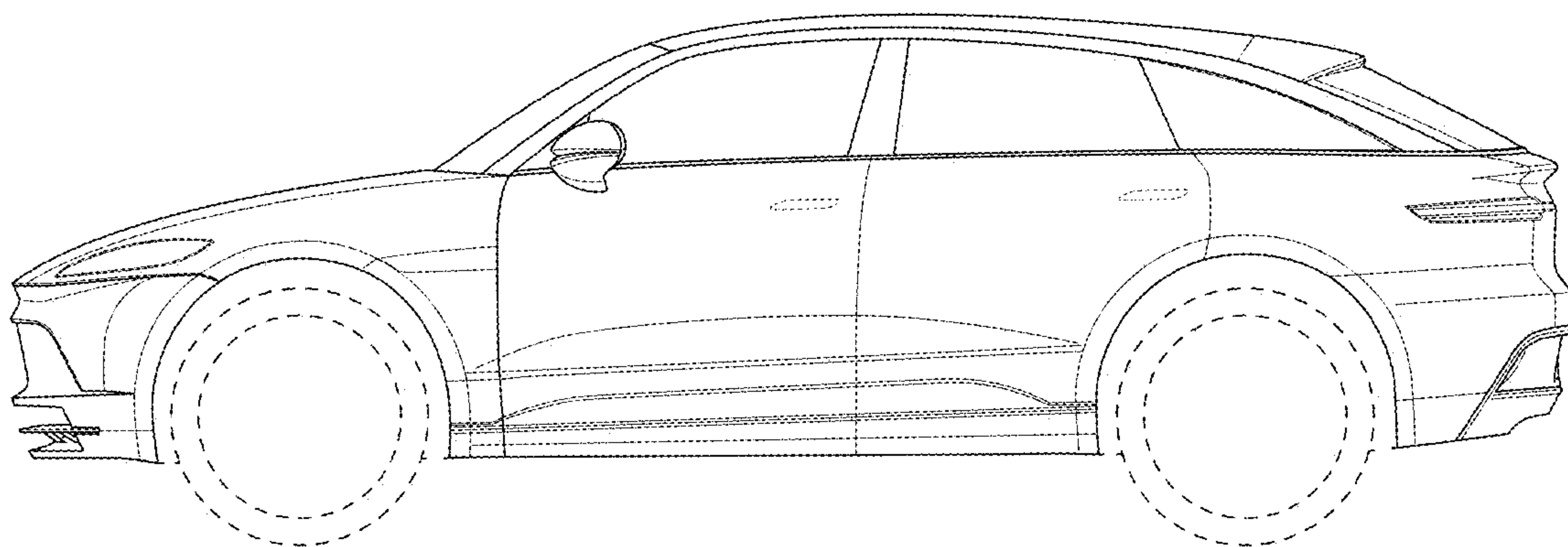
\* cited by examiner



**FIG. 1**

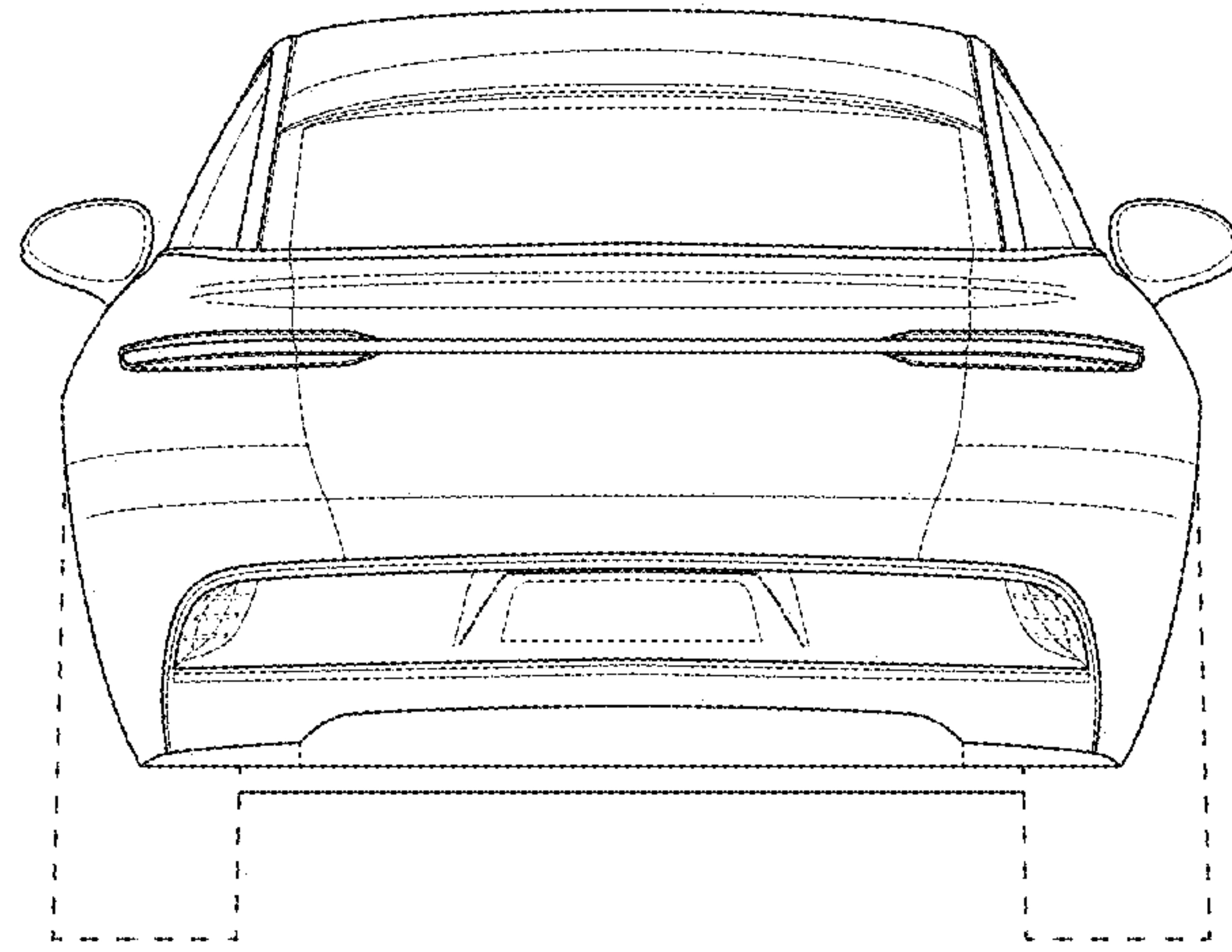


*FIG. 2*

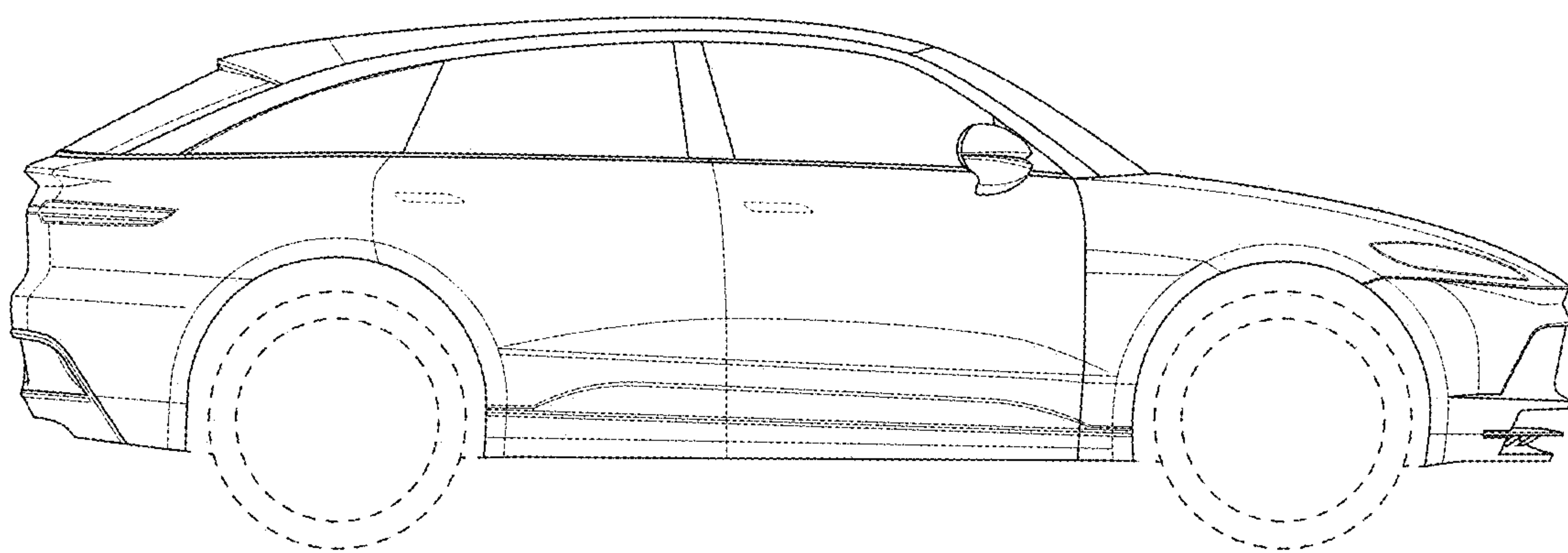


*FIG. 3*

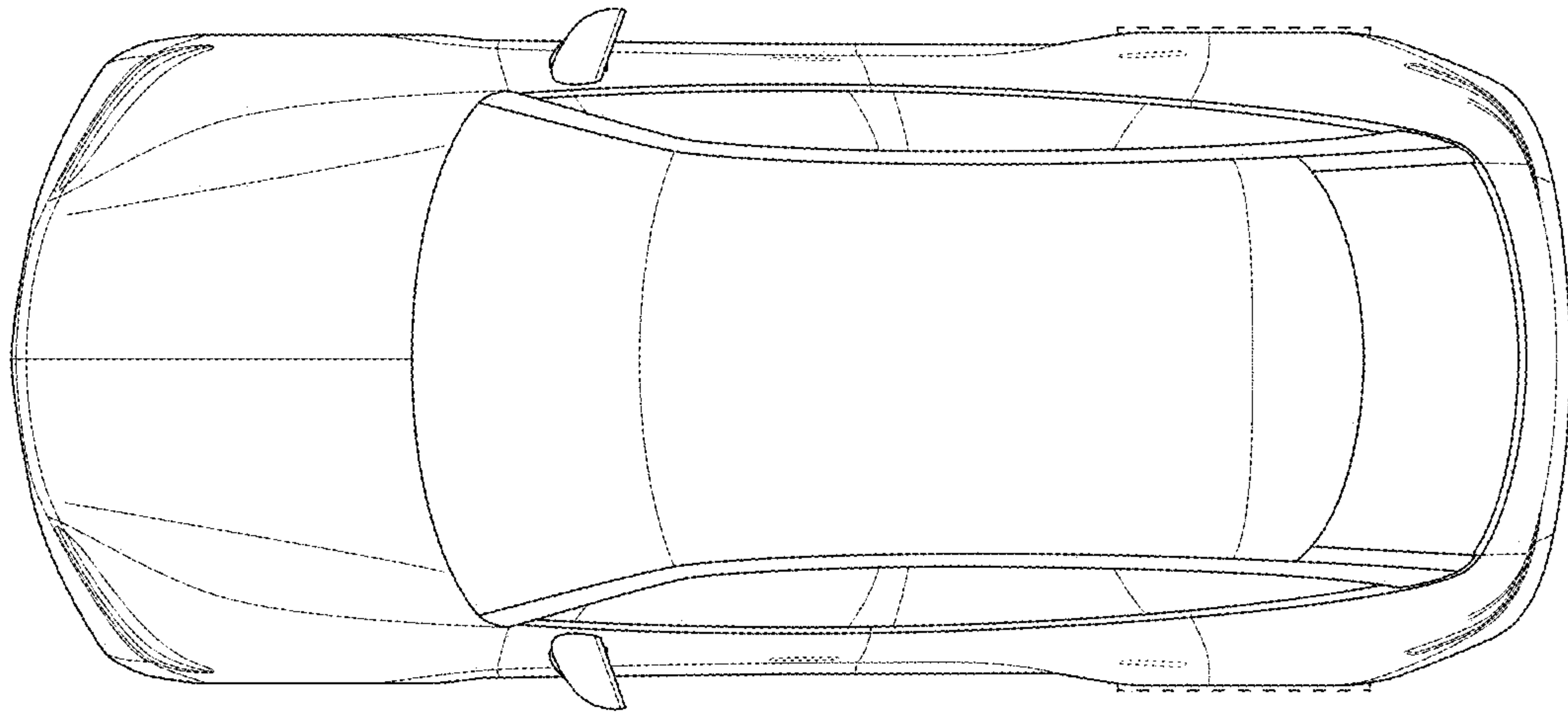




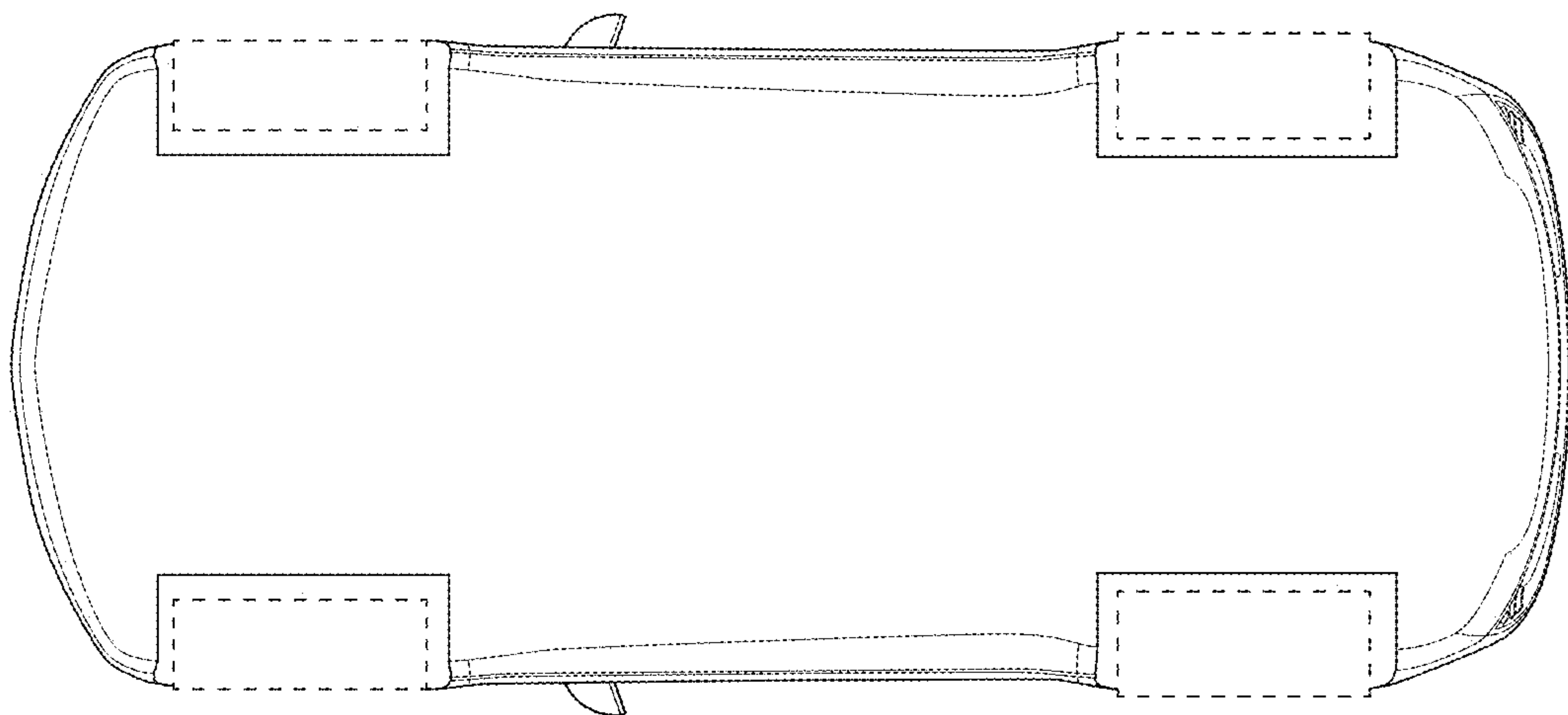
*FIG. 4*



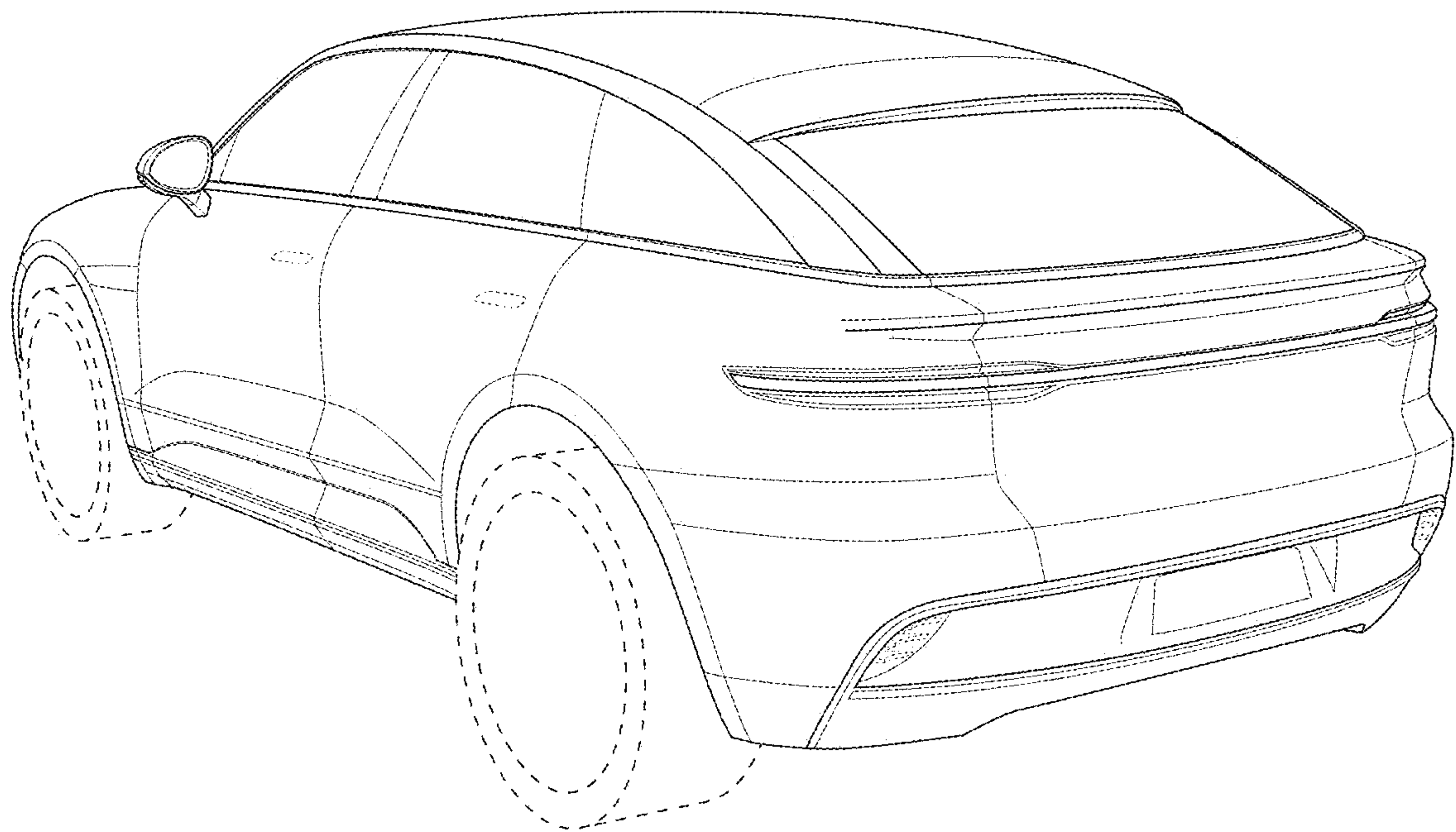
*FIG. 5*



**FIG. 6**



**FIG. 7**



**FIG. 8**