



US00D987476S

(12) **United States Design Patent** (10) **Patent No.:** **US D987,476 S**  
**Zhao et al.** (45) **Date of Patent:** **\*\* May 30, 2023**

(54) **AERIAL VEHICLE** D710,454 S 8/2014 Barajas et al.  
D741,779 S 10/2015 Hsiao et al.  
(71) Applicant: **SZ DJI Technology Co., Ltd.,** 9,296,477 B1 3/2016 Cobum  
Shenzhen (CN) (Continued)

(72) Inventors: **Yun Zhao**, Shenzhen (CN); **Shaojie Chen**, Shenzhen (CN); **Yiwei Chen**, Shenzhen (CN); **Zhen Wang**, Shenzhen (CN); **Bo Liang**, Shenzhen (CN) FOREIGN PATENT DOCUMENTS  
CN 302814372 S 5/2014  
CN 303142773 S 3/2015  
(Continued)

(73) Assignee: **SZ DJI Technology Co., Ltd.,** Shenzhen (CN) OTHER PUBLICATIONS

(\*\*) Term: **15 Years** "Mavic," posted at DJI.com, site visited Apr. 11, 2017, <http://www.dji.com/mavic>.  
(Continued)

(21) Appl. No.: **29/766,315**

(22) Filed: **Jan. 14, 2021**

*Primary Examiner* — Marissa J Cash  
(74) *Attorney, Agent, or Firm* — Sterne, Kessler, Goldstein & Fox P.L.L.C.

**Related U.S. Application Data**

(63) Continuation of application No. 29/654,658, filed on Jun. 26, 2018, now Pat. No. Des. 908,588.

(51) **LOC (14) Cl.** ..... **12-06**

(52) **U.S. Cl.**  
USPC ..... **D12/328**; D12/16.1

(58) **Field of Classification Search**

USPC ..... D12/1-4, 16.1, 319-345; D21/436-455; D25/13, 199

CPC ..... B64C 29/0033; B64C 29/02; B64C 2201/021; B64C 2201/088; B64C 2201/104; B64C 2201/141; B64C 29/00; B64C 29/0025; B64G 2001/1064; B64G 2001/1071; B64G 5/00; B64G 1/46

See application file for complete search history.

(56) **References Cited**

**U.S. PATENT DOCUMENTS**

D695,674 S 12/2013 Nolan et al.  
D710,452 S 8/2014 Barajas et al.

(57) **CLAIM**

The ornamental design for an aerial vehicle, as shown and described.

**DESCRIPTION**

This application is related to U.S. Design patent application Ser. No. 29/654,658, titled "Battery"; U.S. Design patent application Ser. No. 29/654,663, titled "Camera"; U.S. Design patent application Ser. No. 29/654,665, titled "Camera with Gimbal".

FIG. 1 is a top rear perspective view of an aerial vehicle showing the claimed design;

FIG. 2 is a bottom front perspective view thereof;

FIG. 3 is a front view thereof;

FIG. 4 is a rear view thereof;

FIG. 5 is a left side view thereof;

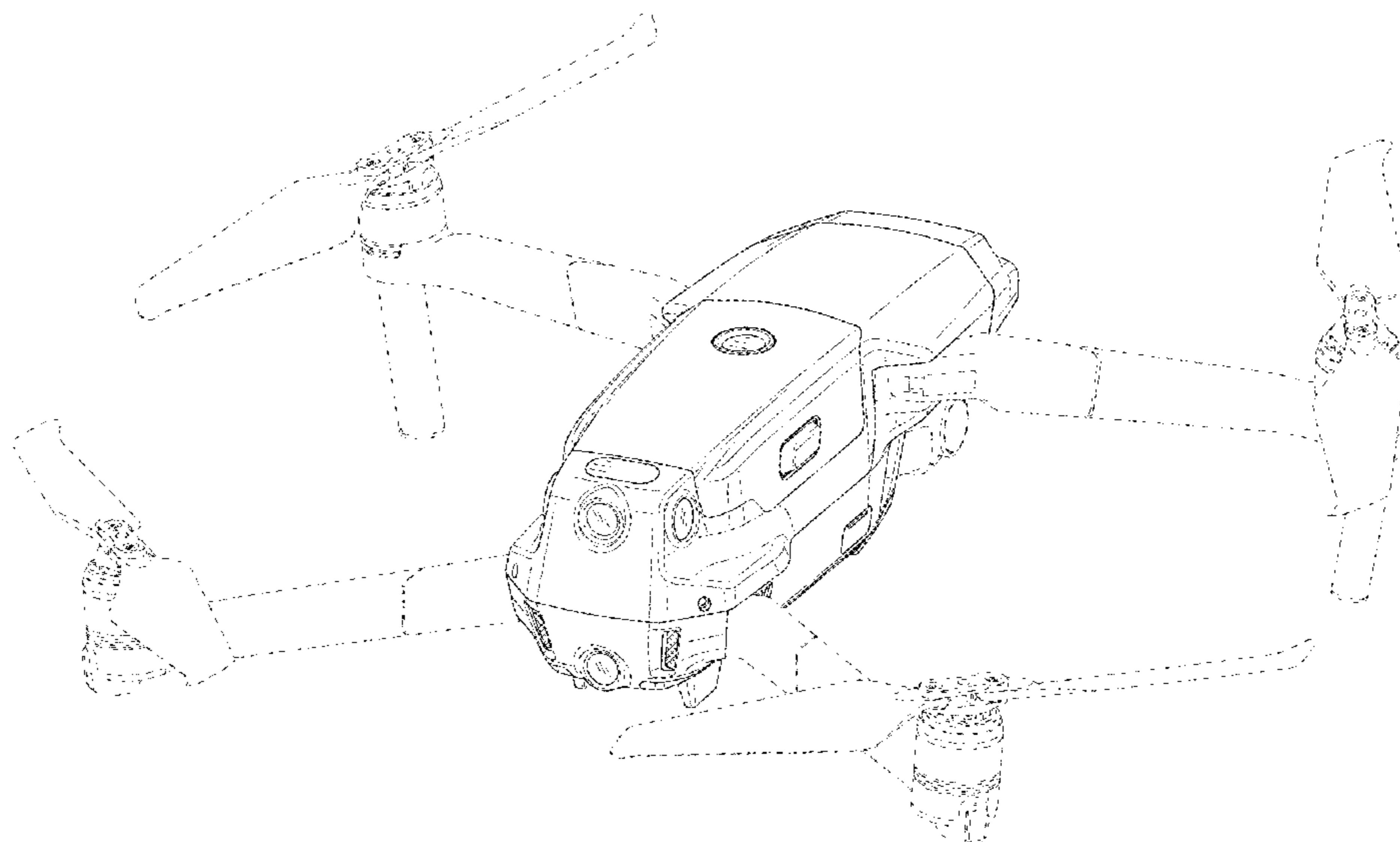
FIG. 6 is a right side view thereof;

FIG. 7 is a top view thereof; and,

FIG. 8 is a bottom view thereof.

The broken lines in the figures show portions of the aerial vehicle that form no part of the claimed design.

**1 Claim, 6 Drawing Sheets**



(56)

References Cited

U.S. PATENT DOCUMENTS

D768,539 S 10/2016 Lee  
 D768,789 S 10/2016 Fargeau et al.  
 D772,991 S 11/2016 Caubel et al.  
 D777,263 S 1/2017 Lavagen et al.  
 D782,365 S 3/2017 Hung  
 9,663,236 B1 5/2017 Shiosaki et al.  
 D800,016 S 10/2017 Huang  
 D803,098 S 11/2017 Lee  
 D803,328 S 11/2017 Lee  
 D805,431 S 12/2017 Li  
 D808,301 S 1/2018 Goldy  
 D809,992 S 2/2018 Hu et al.  
 9,896,195 B2 2/2018 Ou  
 D813,724 S 3/2018 Hu  
 D814,970 S 4/2018 Chen et al.  
 D814,973 S 4/2018 Li  
 D816,582 S 5/2018 Liang et al.  
 D817,850 S 5/2018 Xiao  
 D818,872 S 5/2018 Ho  
 D818,874 S 5/2018 Tian et al.  
 D819,749 S 6/2018 Caubel et al.  
 10,037,028 B2 7/2018 Loianno et al.  
 D825,379 S 8/2018 Gury et al.  
 D825,381 S 8/2018 Meugnier et al.  
 D827,723 S 9/2018 Barajas  
 D827,724 S 9/2018 Barajas et al.  
 D828,222 S 9/2018 Yu  
 D843,267 S 3/2019 Gao  
 D852,673 S 7/2019 Chen et al.  
 D853,279 S 7/2019 Gan  
 D854,448 S 7/2019 Chen et al.  
 D857,105 S 8/2019 Zhang  
 D860,048 S 9/2019 Caubel et al.  
 D861,573 S 10/2019 He et al.  
 D866,396 S 11/2019 Chen et al.  
 D869,375 S 12/2019 Kim et al.  
 D873,175 S 1/2020 Li  
 D874,338 S 2/2020 Zhao  
 D874,973 S 2/2020 Zhou  
 D874,974 S 2/2020 Zhou  
 D881,067 S 4/2020 Zhou  
 D882,460 S 4/2020 Chen  
 D884,554 S 5/2020 Chen  
 D887,340 S \* 6/2020 He ..... D12/328  
 D906,171 S \* 12/2020 Chen ..... D21/441  
 D906,880 S \* 1/2021 Chen ..... D21/441  
 D906,881 S \* 1/2021 Chen ..... D21/441  
 D908,588 S \* 1/2021 Zhao ..... D12/328  
 D918,087 S \* 5/2021 He ..... D12/319

D951,815 S \* 5/2022 Wang ..... D12/16.1  
 D953,201 S \* 5/2022 Costier ..... B64C 27/50  
 D12/16.1  
 D970,392 S \* 11/2022 Wang ..... D12/16.1  
 D971,080 S \* 11/2022 Li ..... D12/16.1  
 2010/0224721 A1 9/2010 Wood et al.  
 2015/0336670 A1 11/2015 Zhang  
 2016/0062364 A1 3/2016 Foinet et al.  
 2016/0122017 A1 5/2016 Welker et al.  
 2016/0236777 A1 8/2016 Tang  
 2016/0313732 A1 10/2016 Seydoux et al.  
 2016/0313742 A1 10/2016 Wang  
 2017/0001721 A1 1/2017 Saika et al.  
 2017/0078552 A1 3/2017 Pochon et al.  
 2017/0183074 A1 6/2017 Hutson et al.  
 2018/0016022 A1 1/2018 Ljung  
 2018/0032087 A1 2/2018 Line  
 2018/0050799 A1 2/2018 Erhart et al.  
 2018/0093781 A1 4/2018 Mallinson  
 2018/0095468 A1 4/2018 Yang  
 2018/0111685 A1 4/2018 Tian et al.  
 2018/0129913 A1 5/2018 Vauchier et al.  
 2018/0143636 A1 5/2018 Pinto  
 2018/0149947 A1 5/2018 Kim  
 2018/0183496 A1 6/2018 Gasnier et al.  
 2018/0208301 A1 7/2018 Ye

FOREIGN PATENT DOCUMENTS

CN 303189591 S 4/2015  
 CN 303197220 S 5/2015  
 CN 303274617 S 7/2015  
 CN 303403033 S 10/2015  
 CN 303478219 S 12/2015  
 CN 303562865 S 1/2016  
 CN 303562867 S 1/2016  
 CN 205971800 U 2/2017  
 CN 205998124 U 3/2017  
 JP D1538530 11/2015  
 WO WO 2010-036419 A2 4/2010

OTHER PUBLICATIONS

DJI Mavic Pro review, posted on CNET.com, site visited Apr. 11, 2017, <<https://www.cnet.com/products/dji-mavic-pro/review/>>.  
 "The DJI Mavic is Here!," posted at Topfivedrones.com, site visited Apr. 11, 2017, <<http://topfivedrones.com/the-dji-mavic-is-here/>>.  
 Myerson, Mark, "DJI Mavic 2 Pro Drone," site visited May 7, 2020, <<https://thegadgetflow.com/portfolio/dji-mavic-2-pro-drone/>>, dated Sep. 2, 2018.

\* cited by examiner

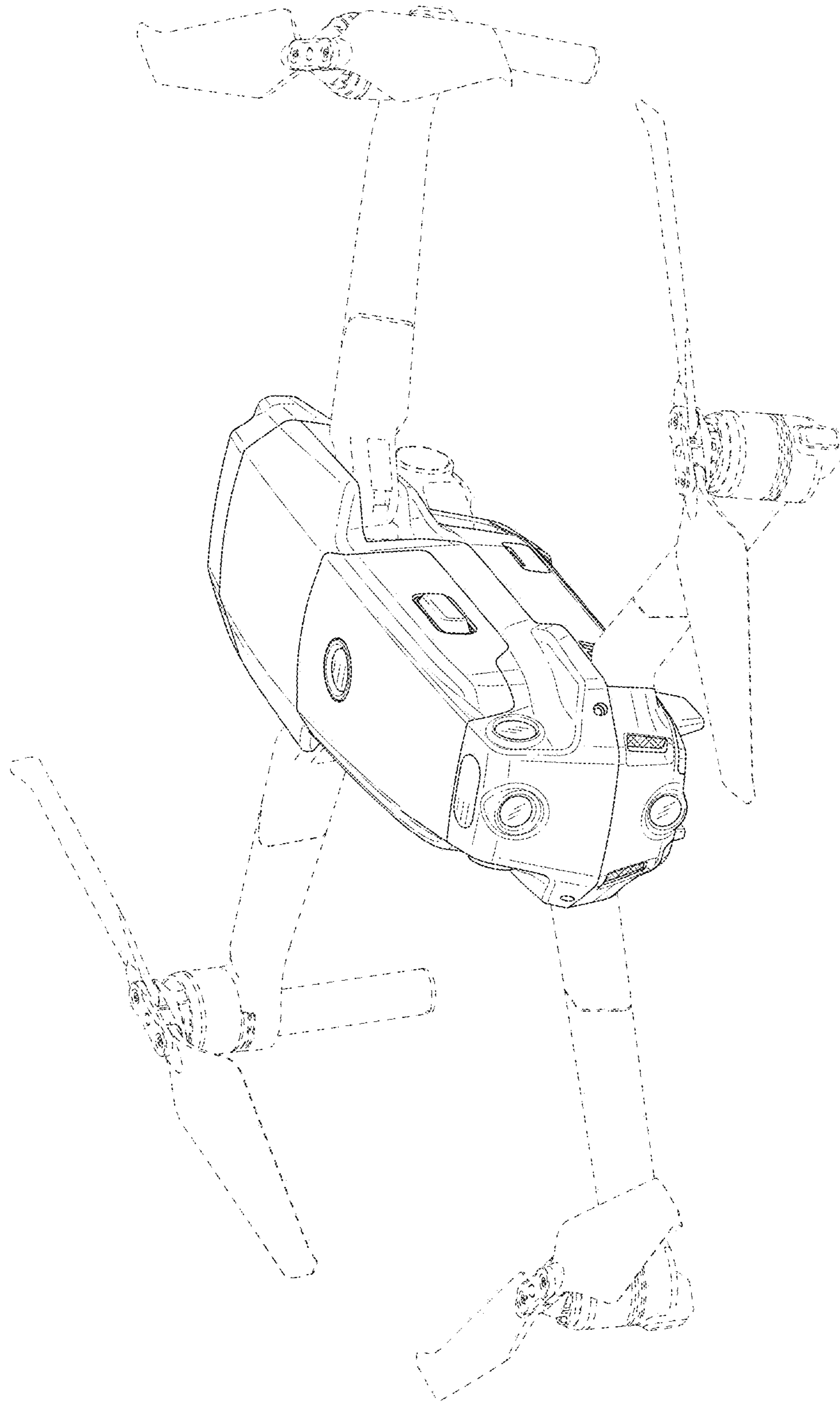


FIG. 1

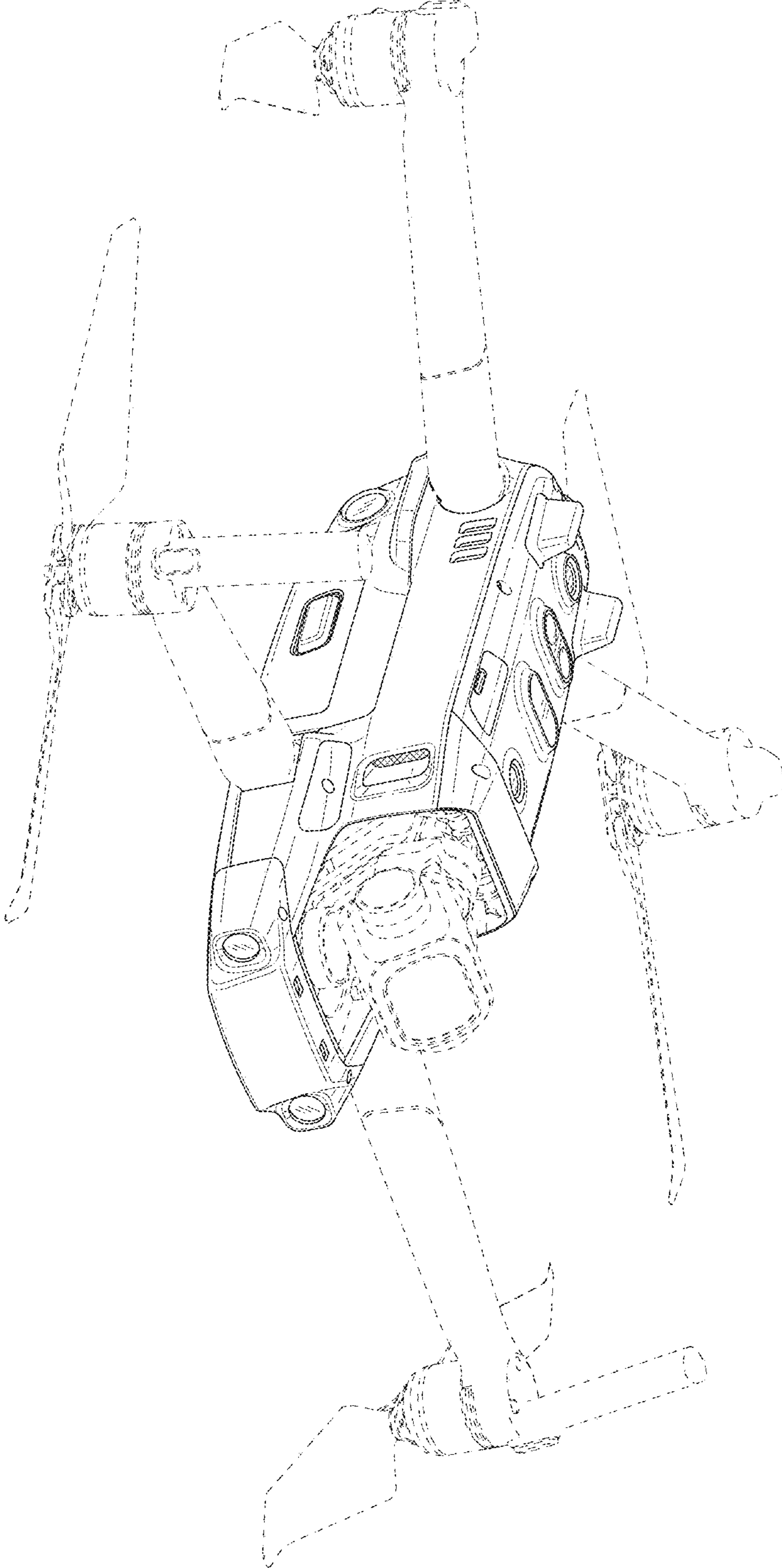
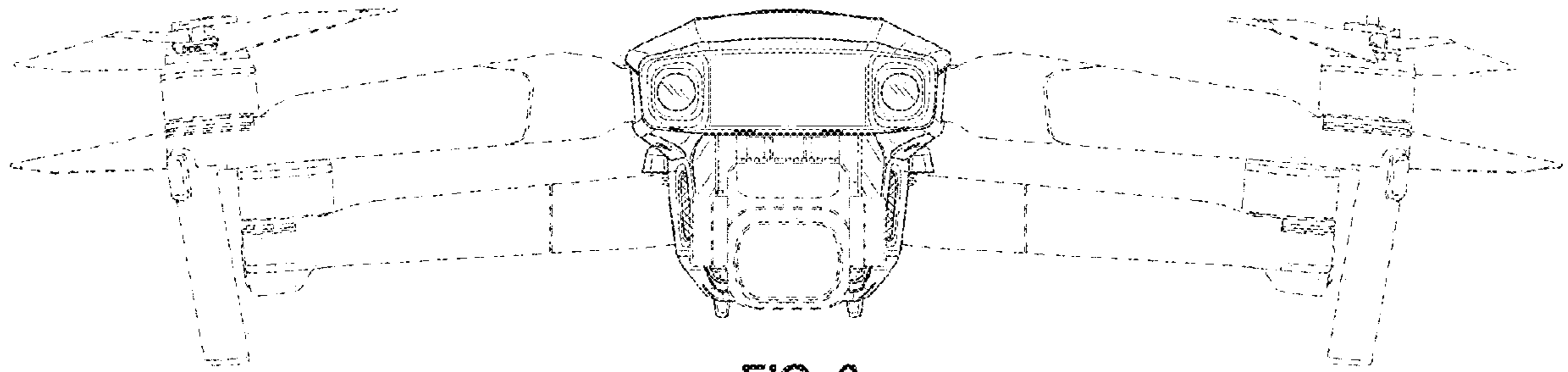
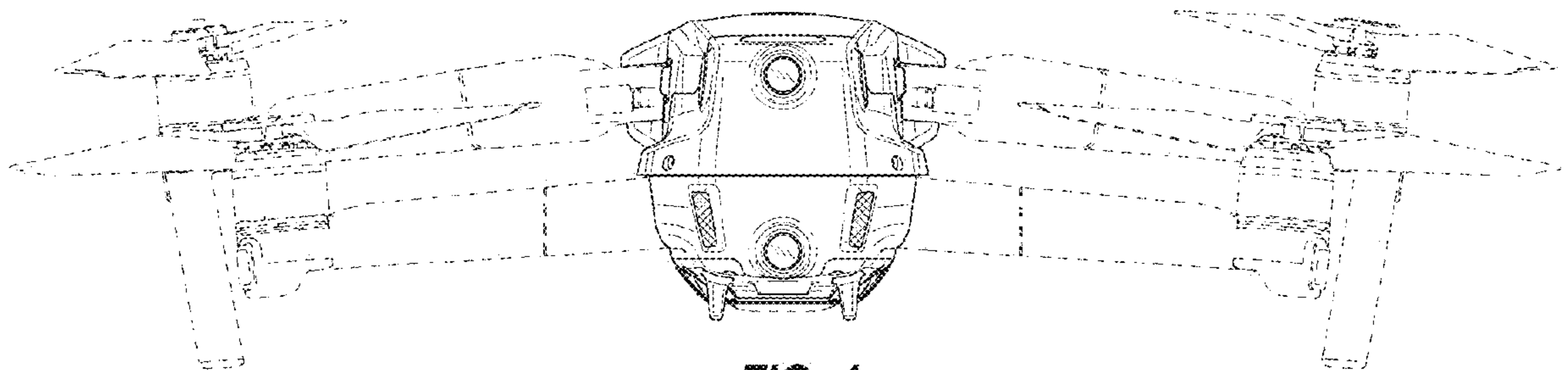


FIG. 2



**FIG. 3**



**FIG. 4**

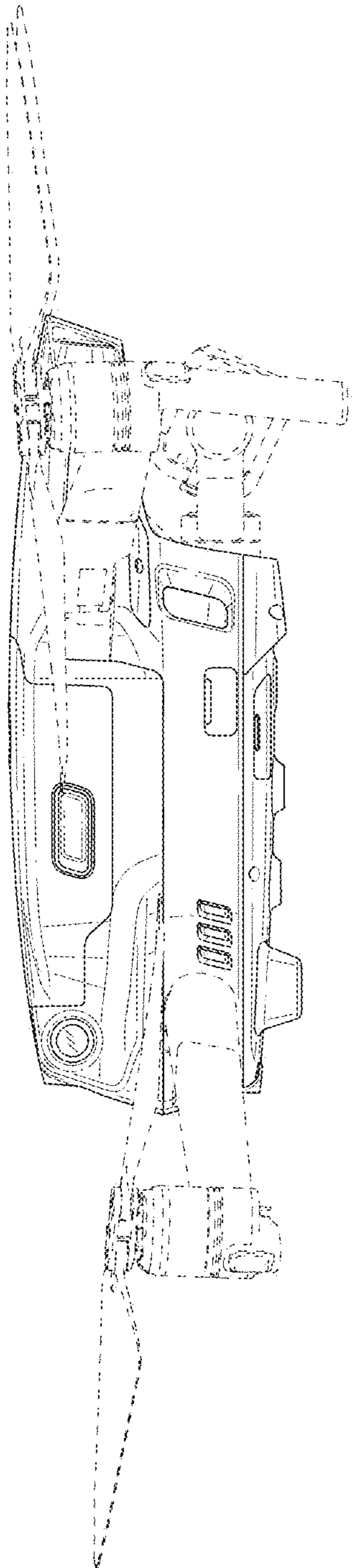


FIG. 5

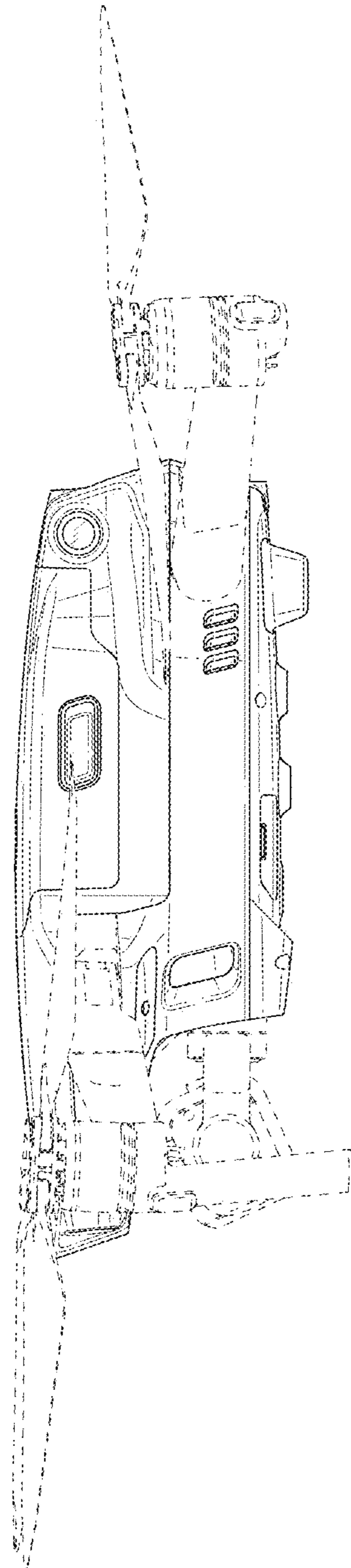


FIG. 6

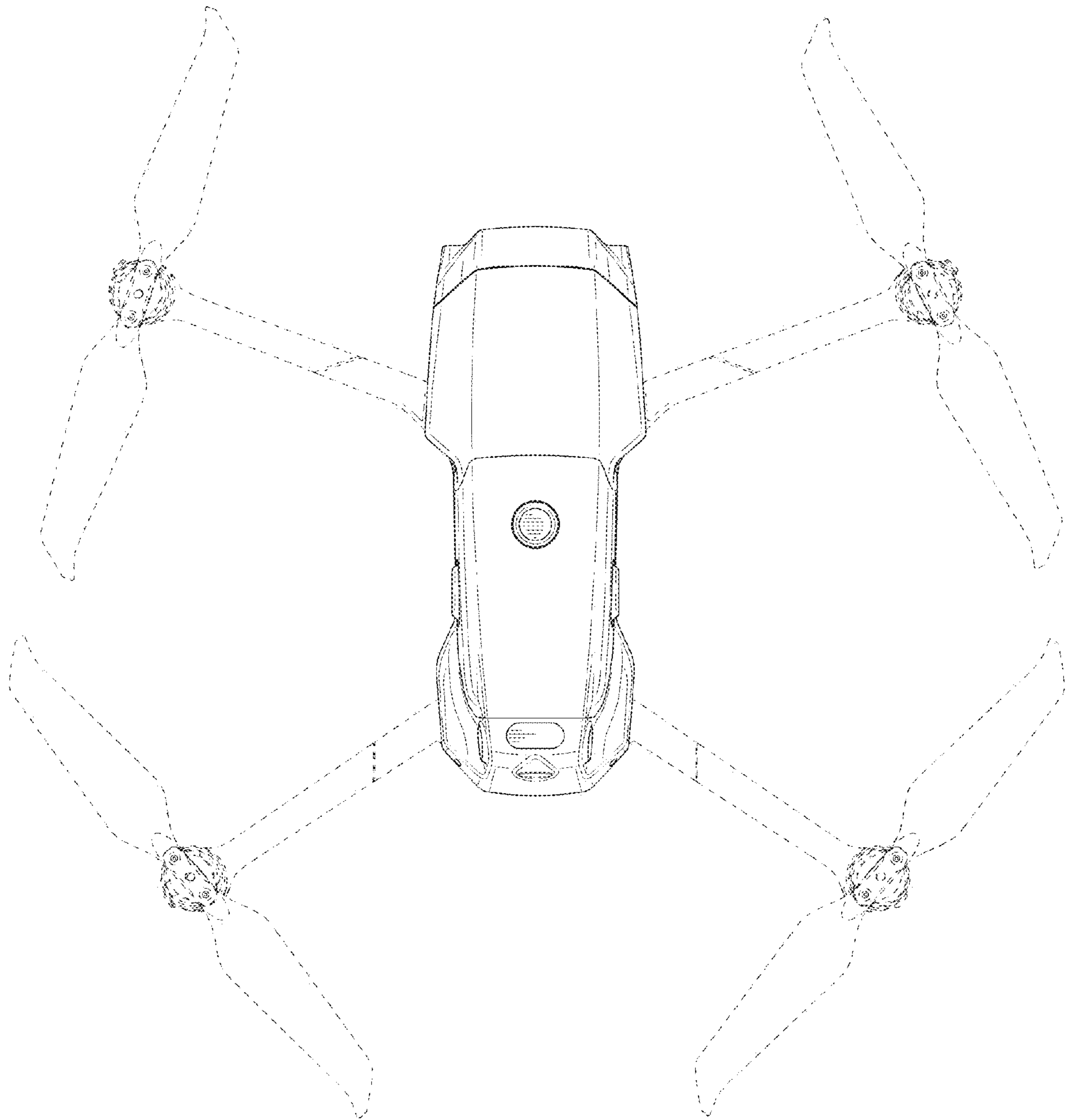


FIG. 7

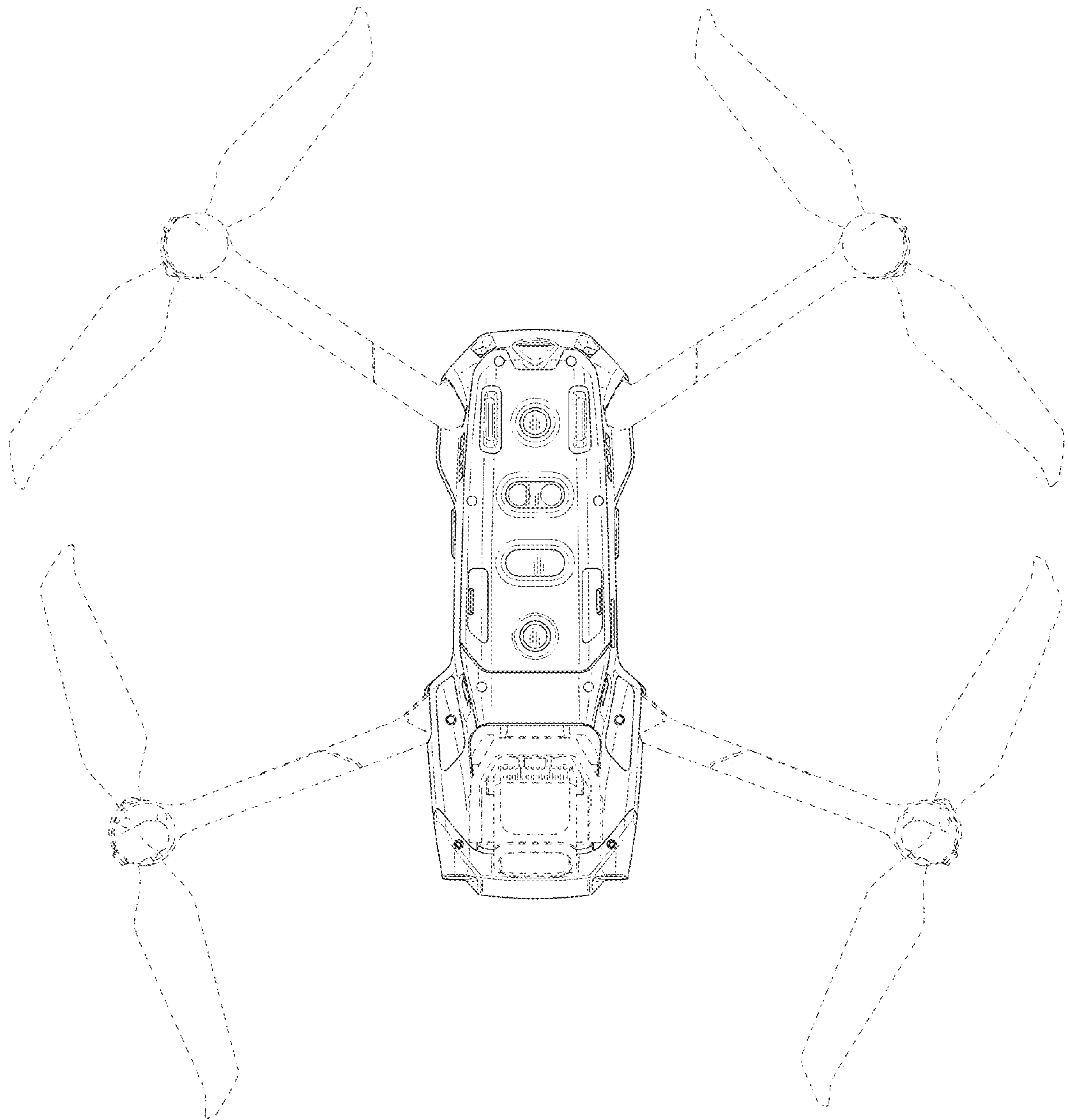


FIG. 8