



US00D987474S

(12) **United States Design Patent**
Guo

(10) **Patent No.:** **US D987,474 S**

(45) **Date of Patent:** **** May 30, 2023**

(54) **SEED STARTER TRAY**

(71) Applicant: **Shenzhen Haiyi Plastic Products Co., Ltd.**, Guangdong (CN)

(72) Inventor: **Jian Guo**, Hunan (CN)

(**) Term: **15 Years**

(21) Appl. No.: **29/842,448**

(22) Filed: **Jun. 14, 2022**

(51) **LOC (14) Cl.** **11-02**

(52) **U.S. Cl.**

USPC **D11/155**

(58) **Field of Classification Search**

USPC D7/554.3, 562, 584, 587; D11/143–156, D11/164

CPC A01G 9/027; A01G 9/0295

See application file for complete search history.

(56) **References Cited**

U.S. PATENT DOCUMENTS

- 1,879,602 A * 9/1932 Copeman F25C 1/24
249/130
- 1,983,806 A * 12/1934 Norman A01G 9/1423
47/18
- D174,506 S * 4/1955 Levenhagen D7/602
- D176,603 S * 1/1956 Emery A01G 9/0297
D7/602
- 2,867,946 A * 1/1959 Kobs A01C 1/02
47/87
- D236,365 S * 8/1975 Fox D11/147
- D245,241 S * 8/1977 Robinson A01G 9/0293
D11/155
- D274,967 S * 8/1984 Taylor D3/304
- 4,658,542 A * 4/1987 Holmberg A01G 9/0295
47/85
- 5,419,080 A * 5/1995 Buss A01G 9/0295
47/87
- D727,791 S * 4/2015 Montagano A01G 24/25
D11/155

D758,914 S * 6/2016 MacKenzie A01G 9/02
D11/143

D818,318 S * 5/2018 Zhou A01G 9/0295
D7/553.2

D868,622 S * 12/2019 Diller A01G 9/0297
D11/155

(Continued)

FOREIGN PATENT DOCUMENTS

CN 201530325876 * 12/2015
GB 6198473 * 3/2022

(Continued)

OTHER PUBLICATIONS

Burpee SuperSeed Seed Starting Tray, reviewed on (Mar. 13, 2022) on amazon.com, retrieved from internet (Oct. 12, 2022). <URL: https://www.amazon.com/Burpee-SuperSeed-Dishwasher-Vegetable-Deep-Rooted/dp/B09S7HCZ69/ref=asc_df_B09S7HCZ69/> (Year: 2022).*

Primary Examiner — Joseph Kukella

Assistant Examiner — Heather Ann Laaveg Wencil

(74) *Attorney, Agent, or Firm* — Che-Yang Chen; Law Office of Michael Chen

(57) **CLAIM**

The ornamental design for a seed starter tray, as shown and described.

DESCRIPTION

FIG. 1 is a perspective view of a seed starter tray showing my new design.

FIG. 2 is a perspective view thereof from another angle;

FIG. 3 is a perspective view thereof from another angle;

FIG. 4 is a front elevational view thereof;

FIG. 5 is a rear elevational view thereof;

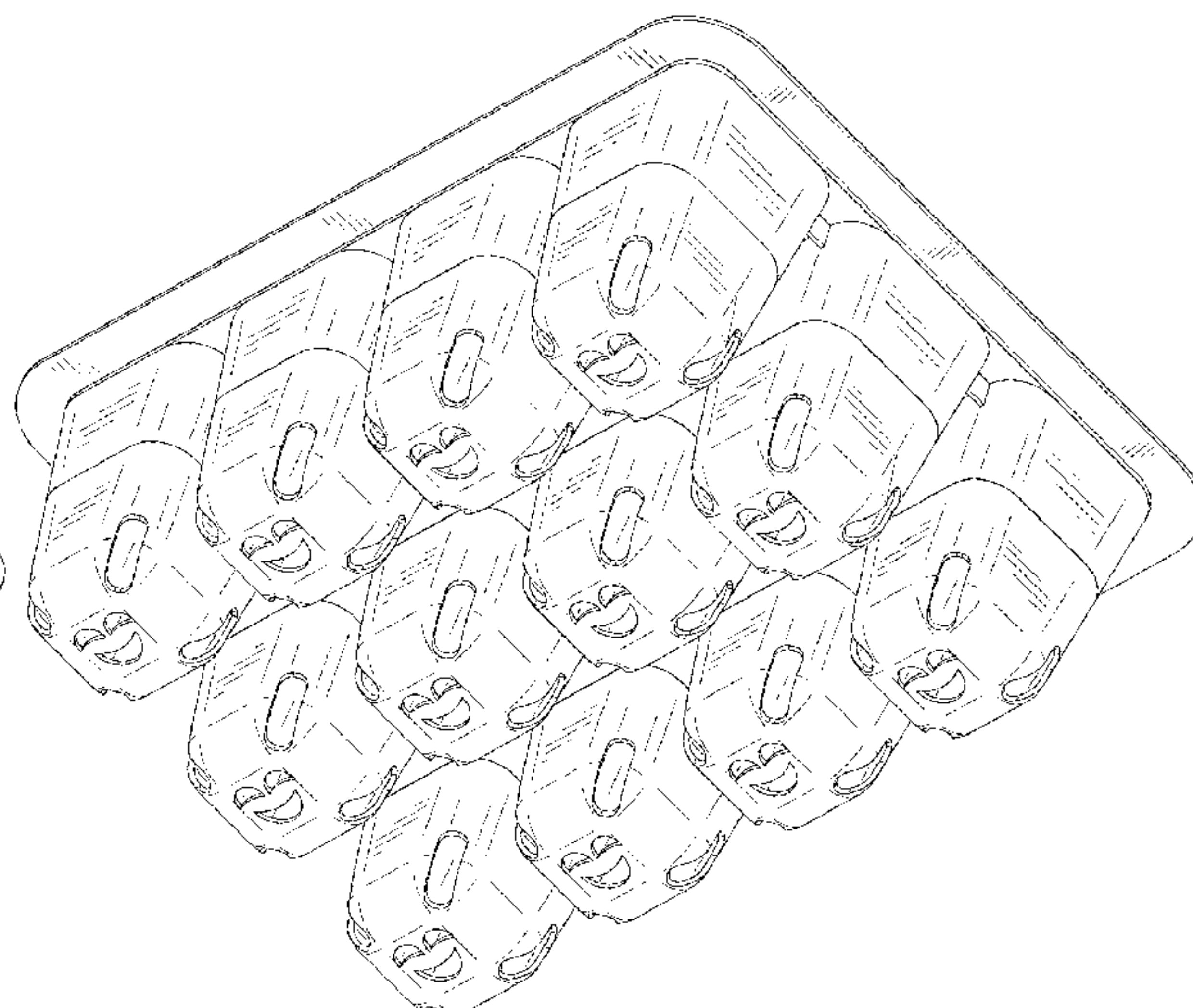
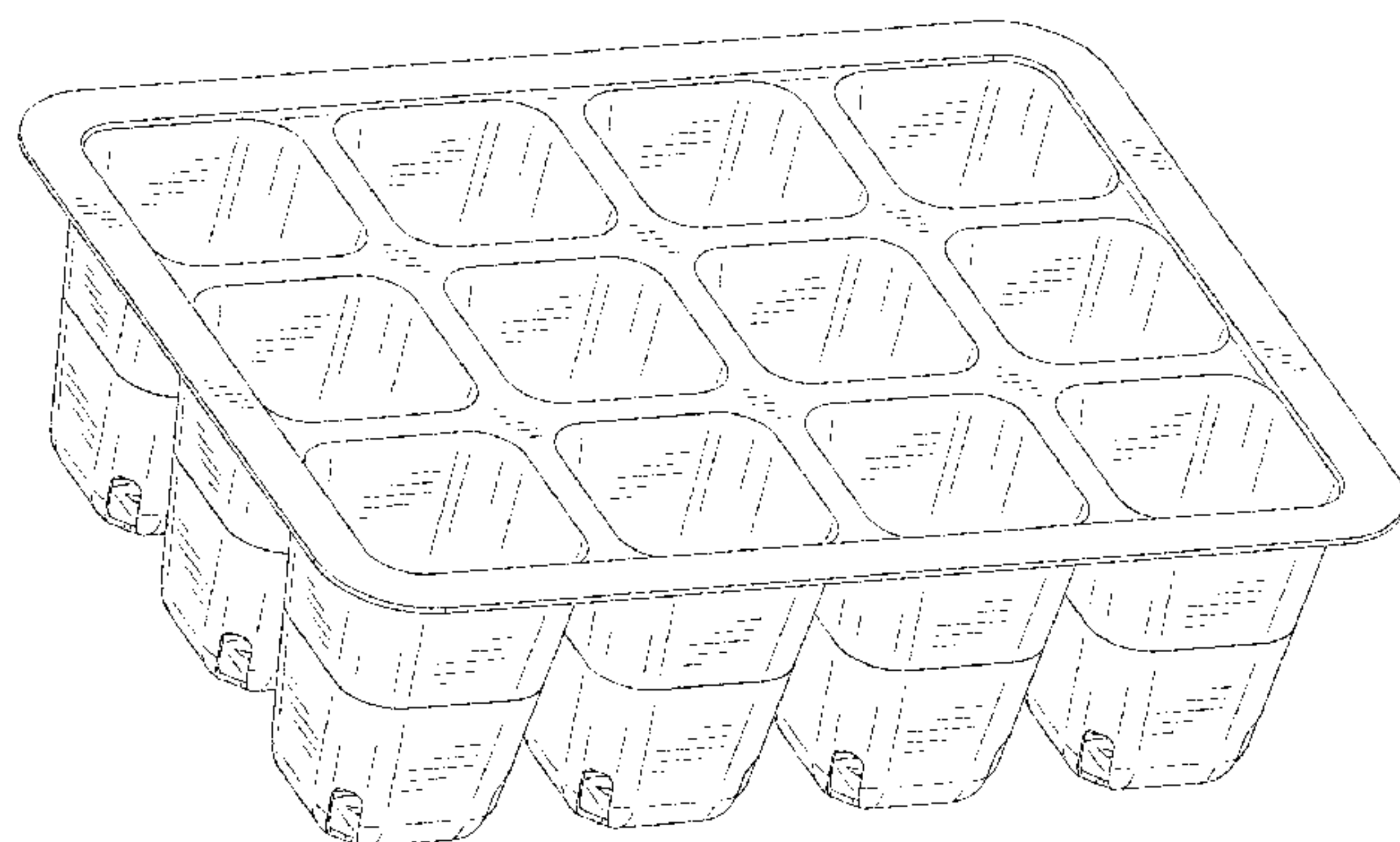
FIG. 6 is a left side elevational view thereof;

FIG. 7 is a right side elevational view thereof;

FIG. 8 is a top plan view thereof; and,

FIG. 9 is a bottom plan view thereof.

1 Claim, 9 Drawing Sheets



(56)

References Cited

U.S. PATENT DOCUMENTS

D887,892 S * 6/2020 Liu D11/155
10,750,688 B2 * 8/2020 Arnau A01G 9/02
D909,238 S * 2/2021 Choi A01G 9/02
D11/155
D942,890 S * 2/2022 Montagano D11/155
11,357,174 B2 * 6/2022 Bowe A01G 9/0293
D960,039 S * 8/2022 Montagano A01G 9/0295
D11/155
2017/0064915 A1 * 3/2017 Steelandt A01G 9/0297
2018/0132437 A1 * 5/2018 Arnau A01G 9/02
2019/0029166 A1 * 1/2019 Goodman A01G 24/25
2020/0344959 A1 * 11/2020 Bowe A01G 9/0295

FOREIGN PATENT DOCUMENTS

JP D2022-01335 * 7/2022
PH 3-2018-18 * 3/2018

* cited by examiner

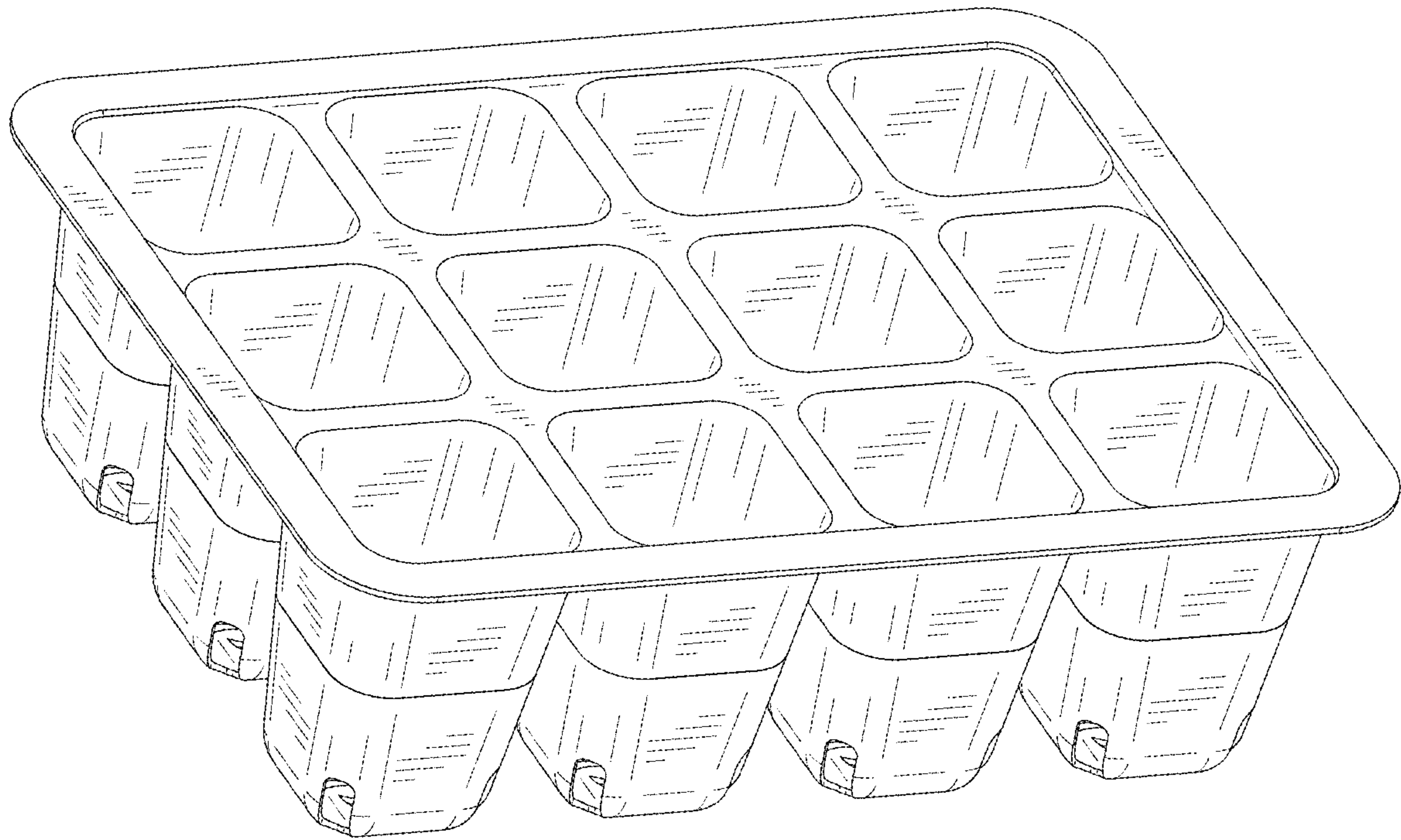


FIG. 1

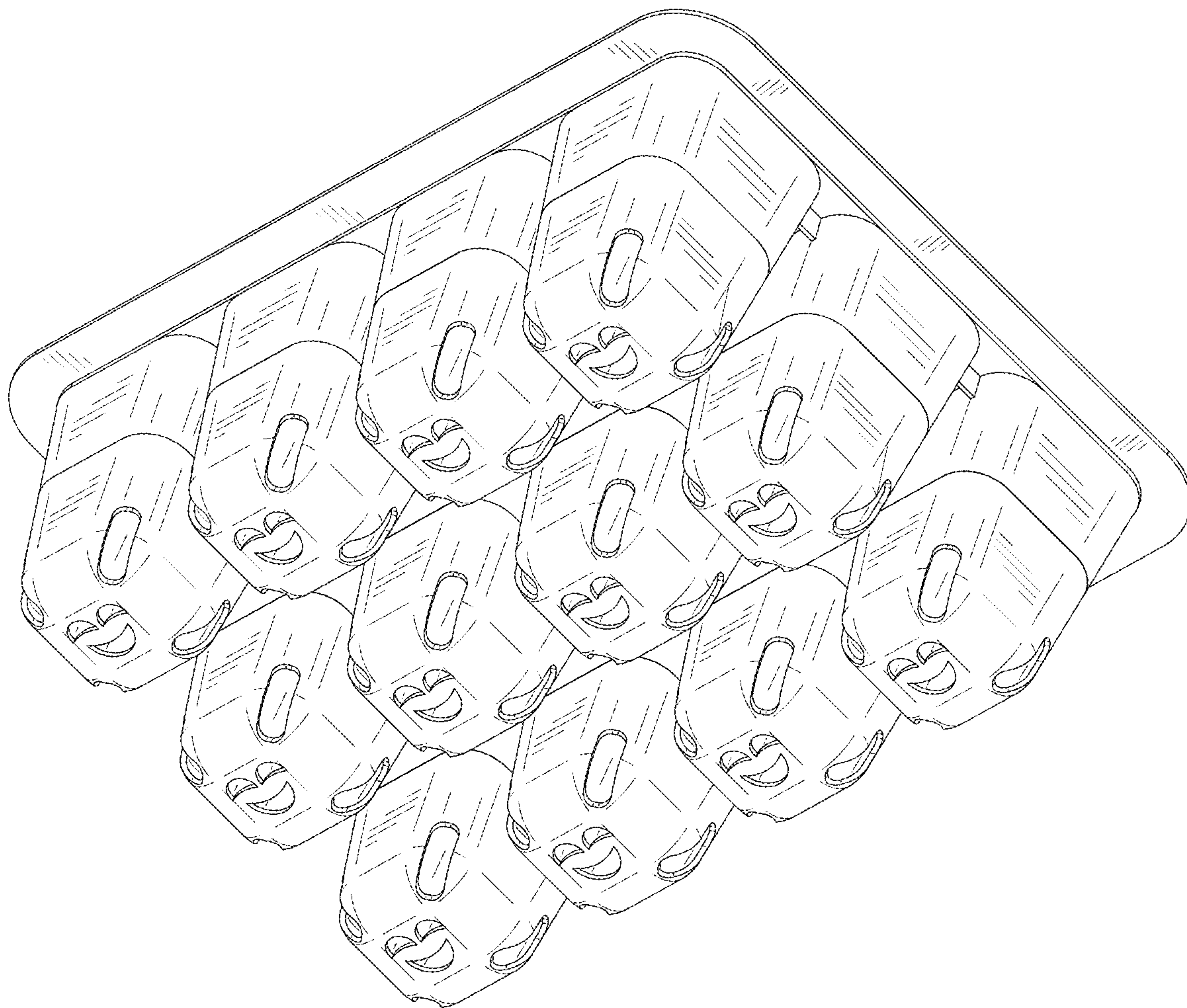


FIG. 2

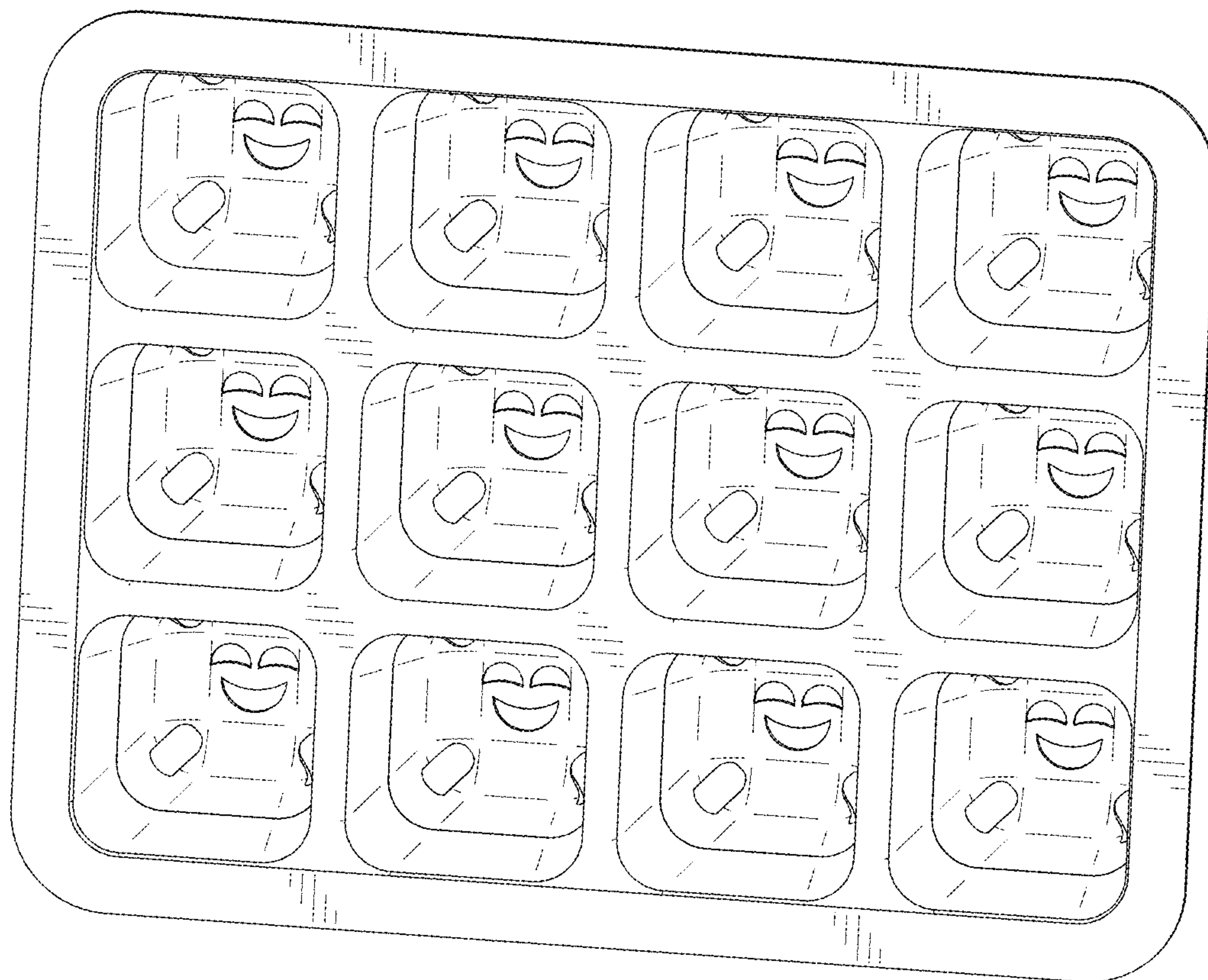


FIG. 3

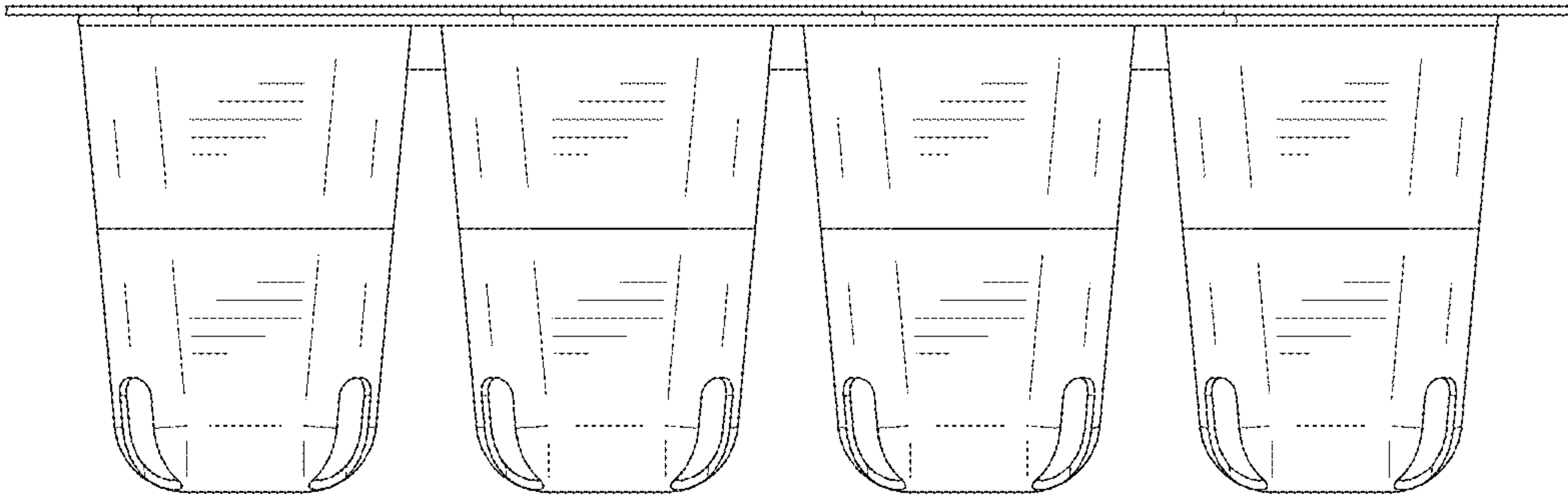


FIG. 4

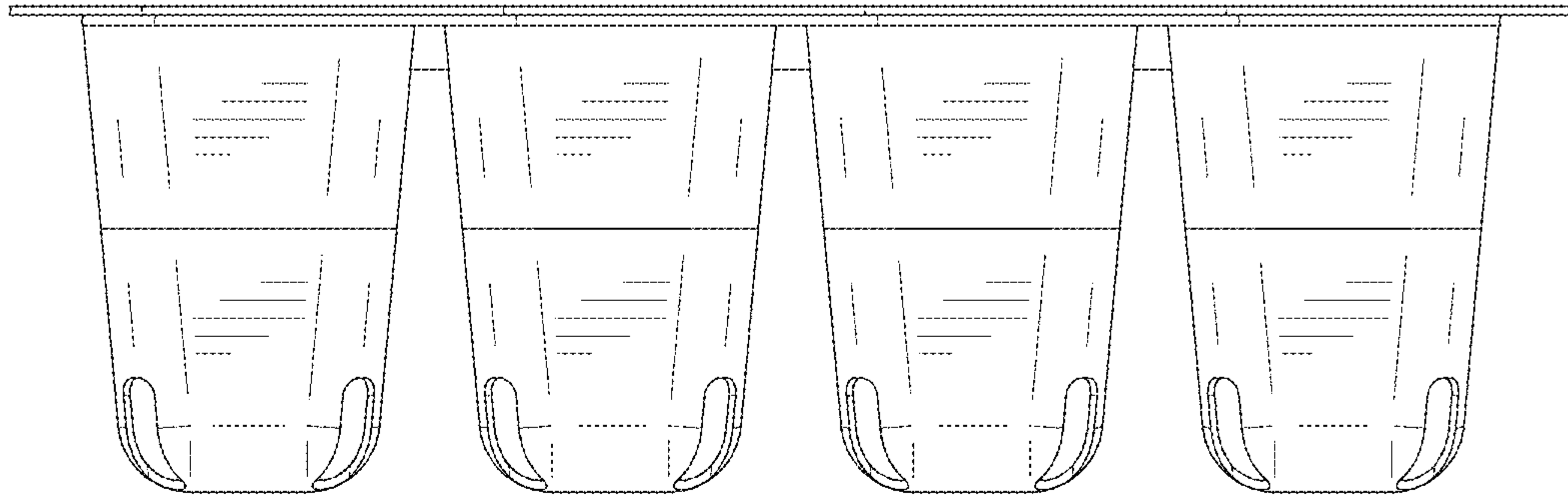


FIG. 5

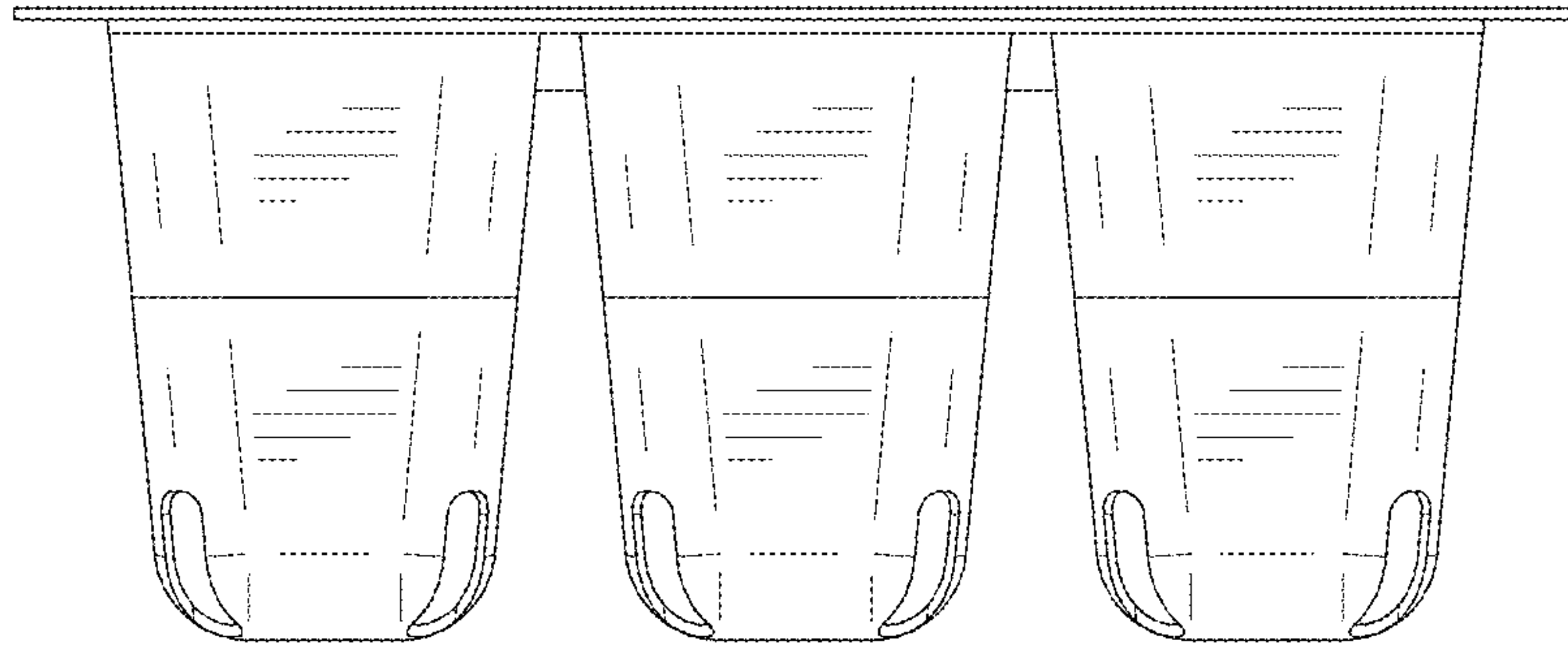


FIG. 6

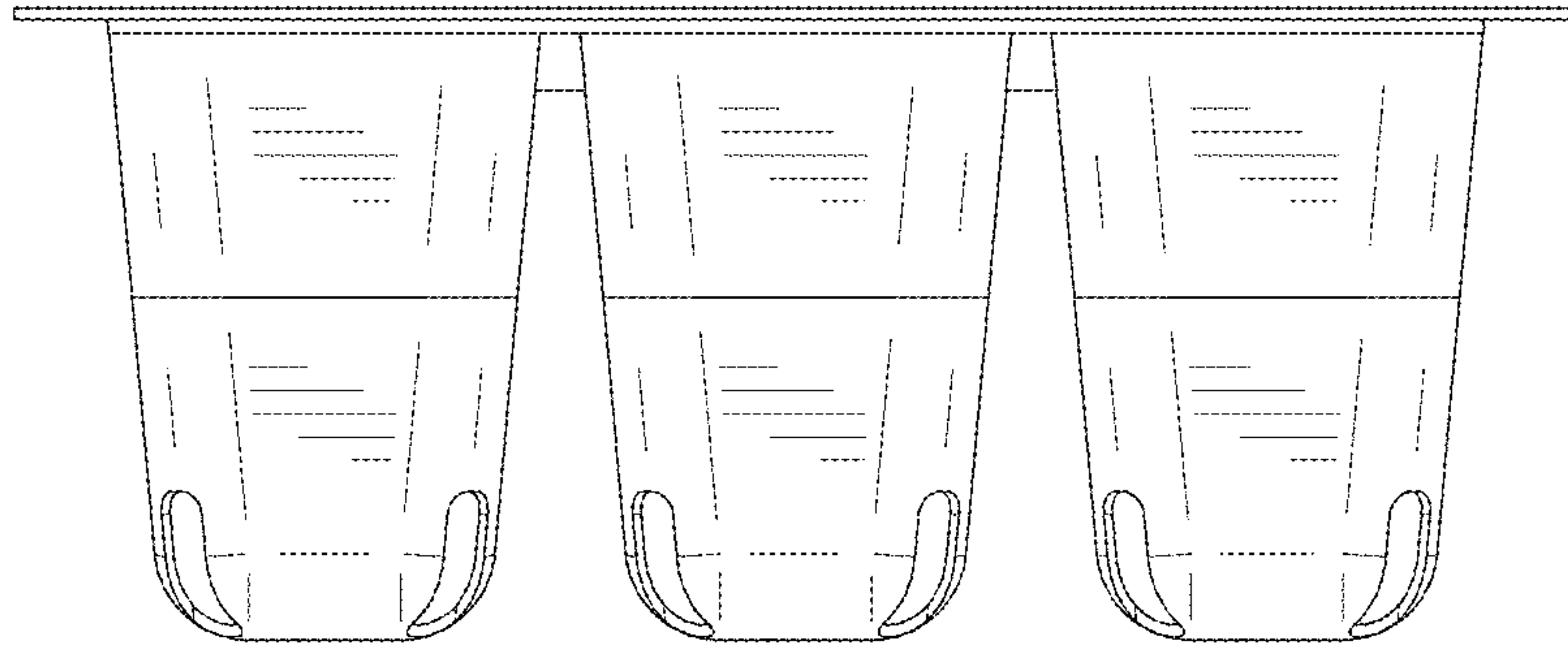


FIG. 7

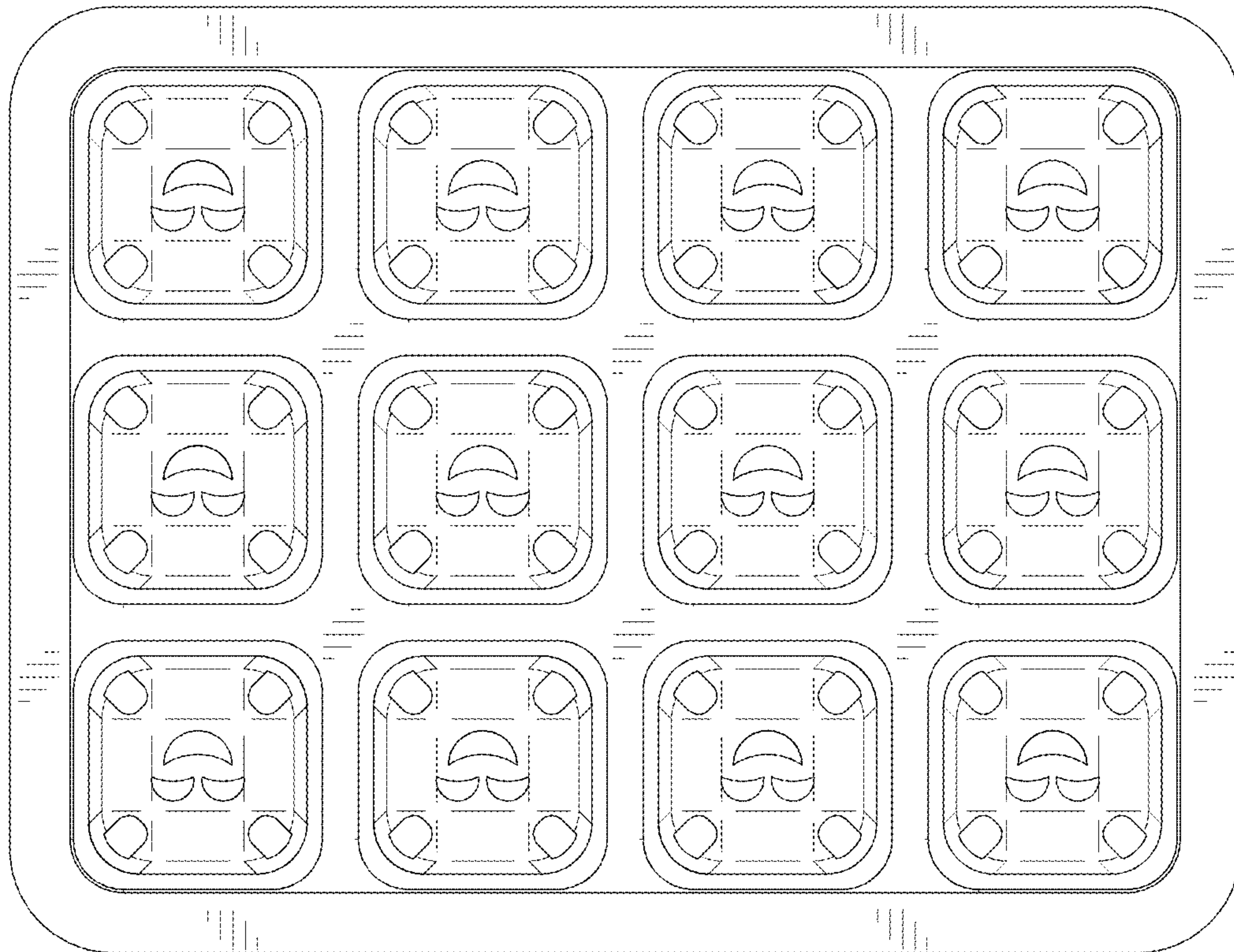


FIG. 8

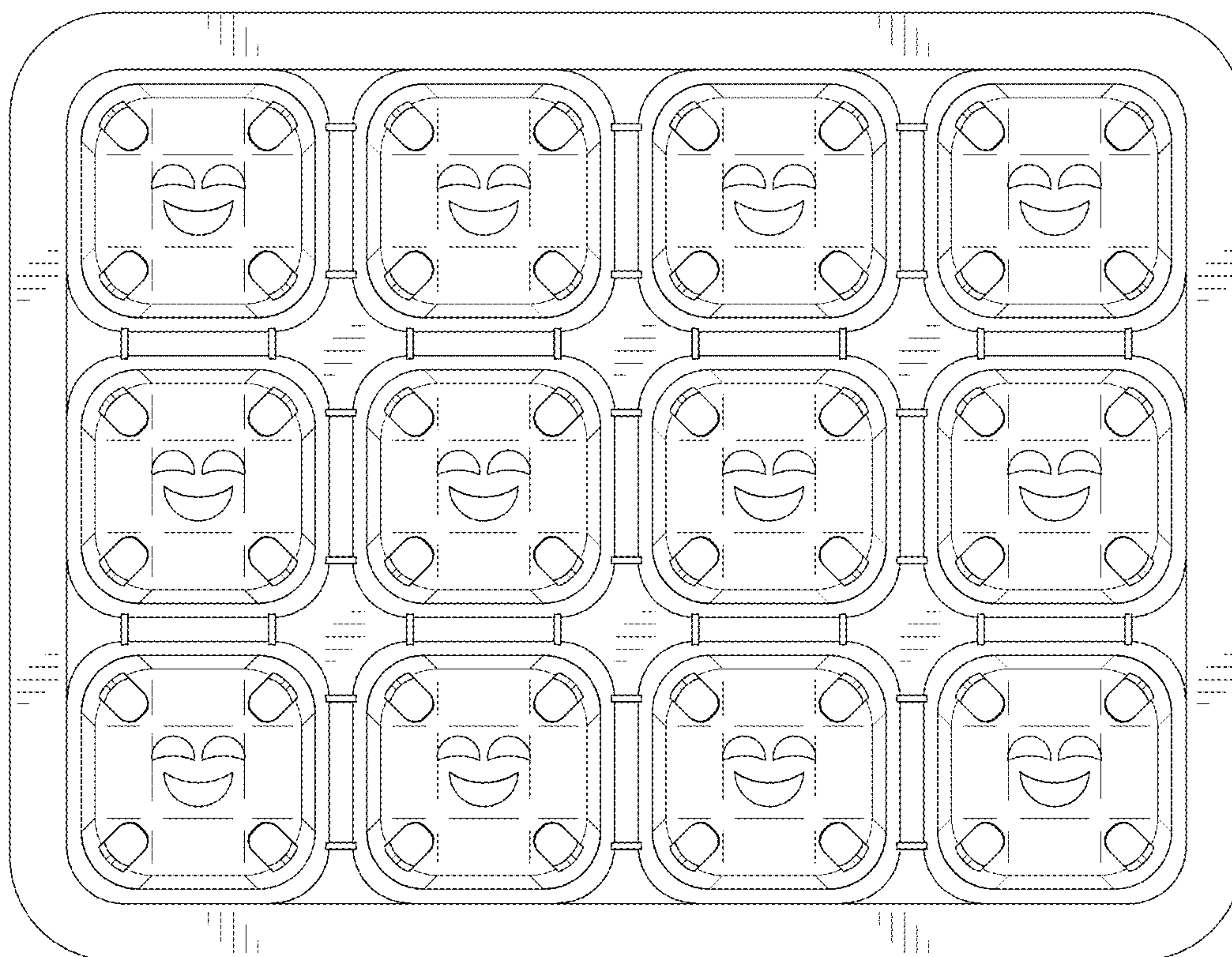


FIG. 9