



US00D987471S

(12) **United States Design Patent** (10) **Patent No.:** **US D987,471 S**
Akana et al. (45) **Date of Patent:** **** May 30, 2023**

(54) **BAND ATTACHMENT**

(71) Applicant: **Apple Inc.**, Cupertino, CA (US)

(72) Inventors: **Jody Akana**, San Francisco, CA (US); **Bartley K. Andre**, Palo Alto, CA (US); **Shota Aoyagi**, San Francisco, CA (US); **Anthony Michael Ashcroft**, San Francisco, CA (US); **Jeremy Bataillou**, San Francisco, CA (US); **Daniel J. Coster**, San Francisco, CA (US); **Daniele De Iuliis**, San Francisco, CA (US); **M. Evans Hankey**, San Francisco, CA (US); **Julian Hoenig**, San Francisco, CA (US); **Richard P. Howarth**, San Francisco, CA (US); **Jonathan P. Ive**, San Francisco, CA (US); **Duncan Robert Kerr**, San Francisco, CA (US); **Marc A. Newson**, London (GB); **Matthew Dean Rohrbach**, San Francisco, CA (US); **Peter Russell-Clarke**, San Francisco, CA (US); **Benjamin Andrew Shaffer**, San Jose, CA (US); **Mikael Silvano**, San Francisco, CA (US); **Christopher J. Stringer**, Woodside, CA (US); **Eugene Antony Whang**, San Francisco, CA (US); **Rico Zörkendörfer**, San Francisco, CA (US)

(73) Assignee: **Apple Inc.**, Cupertino, CA (US)

(**) Term: **15 Years**

(21) Appl. No.: **29/777,976**

(22) Filed: **Apr. 9, 2021**

Related U.S. Application Data

(63) Continuation of application No. 29/713,471, filed on Nov. 15, 2019, now Pat. No. Des. 916,621, which is (Continued)

(51) **LOC (14) Cl.** **11-01**

(52) **U.S. Cl.**
USPC **D11/94**

(58) **Field of Classification Search**
USPC **D11/1-29, 86-88, 94; D10/30, 32, 38**
(Continued)

(56) **References Cited**

U.S. PATENT DOCUMENTS

D178,326 S * 7/1956 Sharp D11/94
6,415,483 B1 * 7/2002 Dang A44C 5/185
24/265 R

(Continued)

Primary Examiner — **Zenia I Bennett**

(74) *Attorney, Agent, or Firm* — **Sterne, Kessler, Goldstein & Fox P.L.L.C.**

(57) **CLAIM**

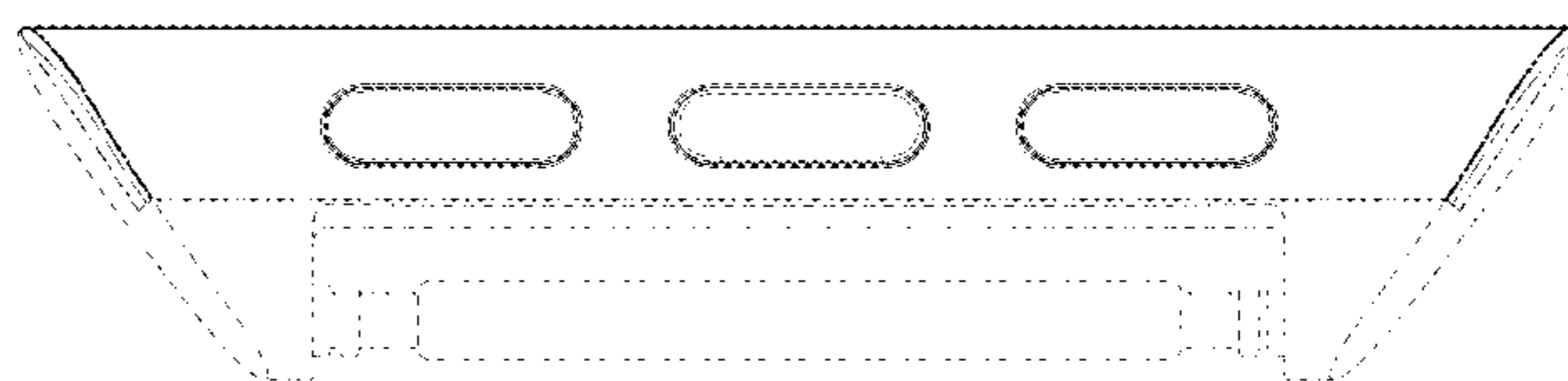
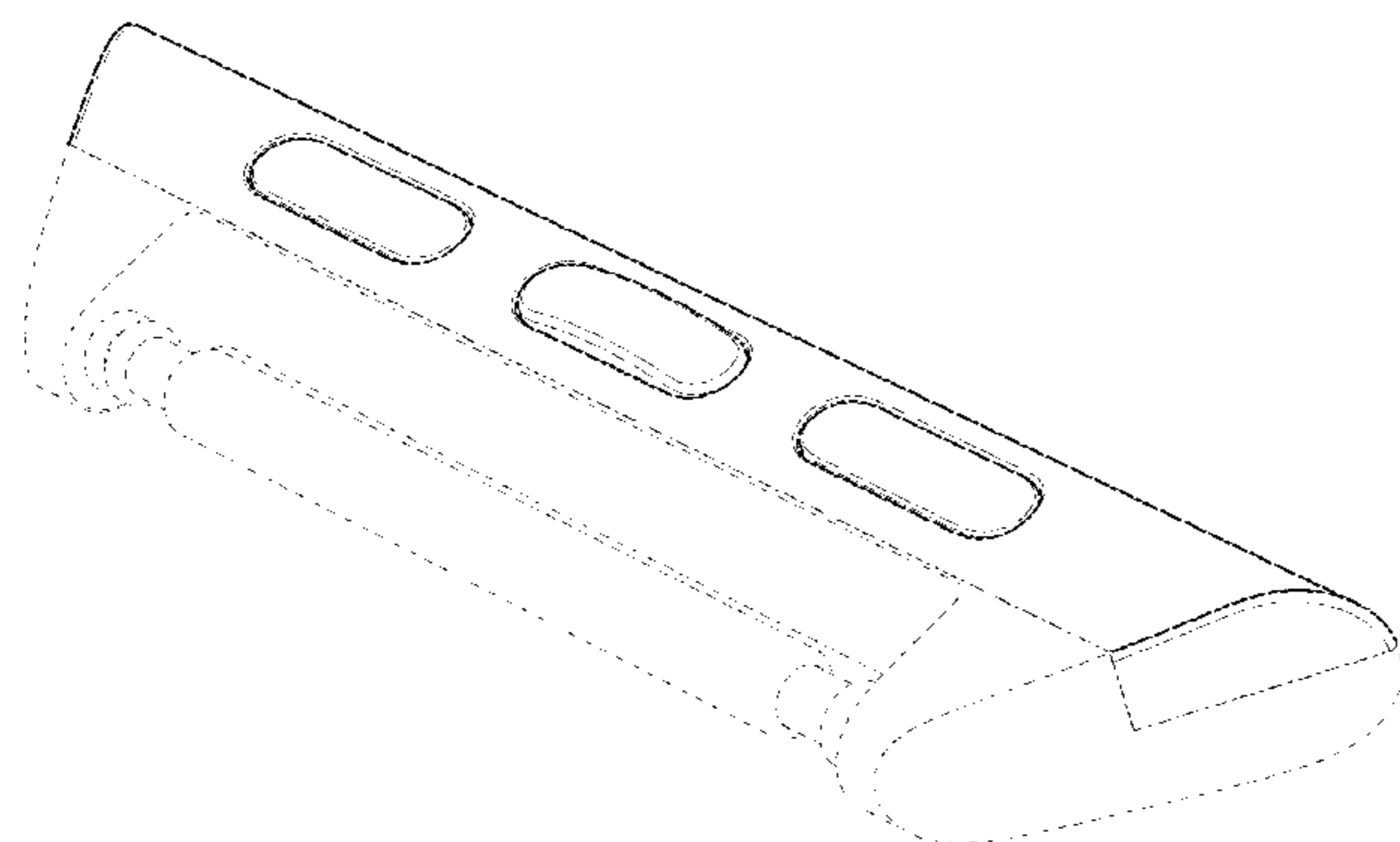
The ornamental design for a band attachment, as shown and described.

DESCRIPTION

FIG. 1 is a bottom front perspective view of a band attachment showing the claimed design; FIG. 2 is a bottom rear perspective view thereof; FIG. 3 is a front view thereof; FIG. 4 is a rear view thereof; FIG. 5 is a left side view thereof; FIG. 6 is a right side view thereof; FIG. 7 is a bottom view thereof; and, FIG. 8 is a top view thereof.

The dashed broken lines in the figures show portions of the band attachment that form no part of the claimed design. The dot-dash broken lines in the figures show boundaries that form no part of the claimed design.

1 Claim, 4 Drawing Sheets



Related U.S. Application Data

a continuation of application No. 29/698,373, filed on Jul. 16, 2019, now Pat. No. Des. 869,323, which is a continuation of application No. 29/666,679, filed on Oct. 15, 2018, now Pat. No. Des. 857,544, which is a continuation of application No. 29/563,408, filed on May 4, 2016, now Pat. No. Des. 830,885, and a continuation of application No. 29/563,409, filed on May 4, 2016, now Pat. No. Des. 830,886, and a continuation of application No. 29/562,158, filed on Apr. 22, 2016, now Pat. No. Des. 830,884, and a continuation of application No. 29/559,870, filed on Mar. 31, 2016, now Pat. No. Des. 830,881, and a continuation of application No. 29/559,879, filed on Mar. 31, 2016, now Pat. No. Des. 830,883, and a continuation of application No. 29/559,874, filed on Mar. 31, 2016, now Pat. No. Des. 830,882, said application No. 29/562,158 is a continuation of application No. 29/524,689, filed on Apr. 22, 2015, now Pat. No. Des. 763,128, said application No. 29/563,408 is a continuation of application No. 29/519,400, filed on Mar. 4, 2015, now Pat. No. Des. 762,515, said application No. 29/563,409 is a continuation of application No. 29/519,400, filed on Mar. 4, 2015, now Pat. No. Des. 762,515, said application No. 29/559,874 is a continuation of application No. 29/518,911,

filed on Feb. 27, 2015, now Pat. No. Des. 761,688, said application No. 29/559,870 is a continuation of application No. 29/518,911, filed on Feb. 27, 2015, now Pat. No. Des. 761,688, said application No. 29/559,879 is a continuation of application No. 29/518,911, filed on Feb. 27, 2015, now Pat. No. Des. 761,688, said application No. 29/501,763 is a continuation of application No. 29/498,987, filed on Aug. 11, 2014, now Pat. No. Des. 749,460.

(58) **Field of Classification Search**

CPC .. A44C 5/00; A44C 5/18; A44C 5/185; A44C 5/20; A44C 5/14

See application file for complete search history.

(56) **References Cited**

U.S. PATENT DOCUMENTS

D727,787	S	4/2015	Akana et al.	
D762,515	S	8/2016	Akana et al.	
D830,883	S	10/2018	Akana et al.	
D857,544	S	8/2019	Akana et al.	
2014/0096345	A1 *	4/2014	Tschumi	G04B 37/1486 24/265 B
2018/0125179	A1 *	5/2018	Giles	A44C 5/16
2019/0191828	A1 *	6/2019	Wang	G04B 37/08
2019/0320766	A1 *	10/2019	Sobol	A61B 5/681

* cited by examiner

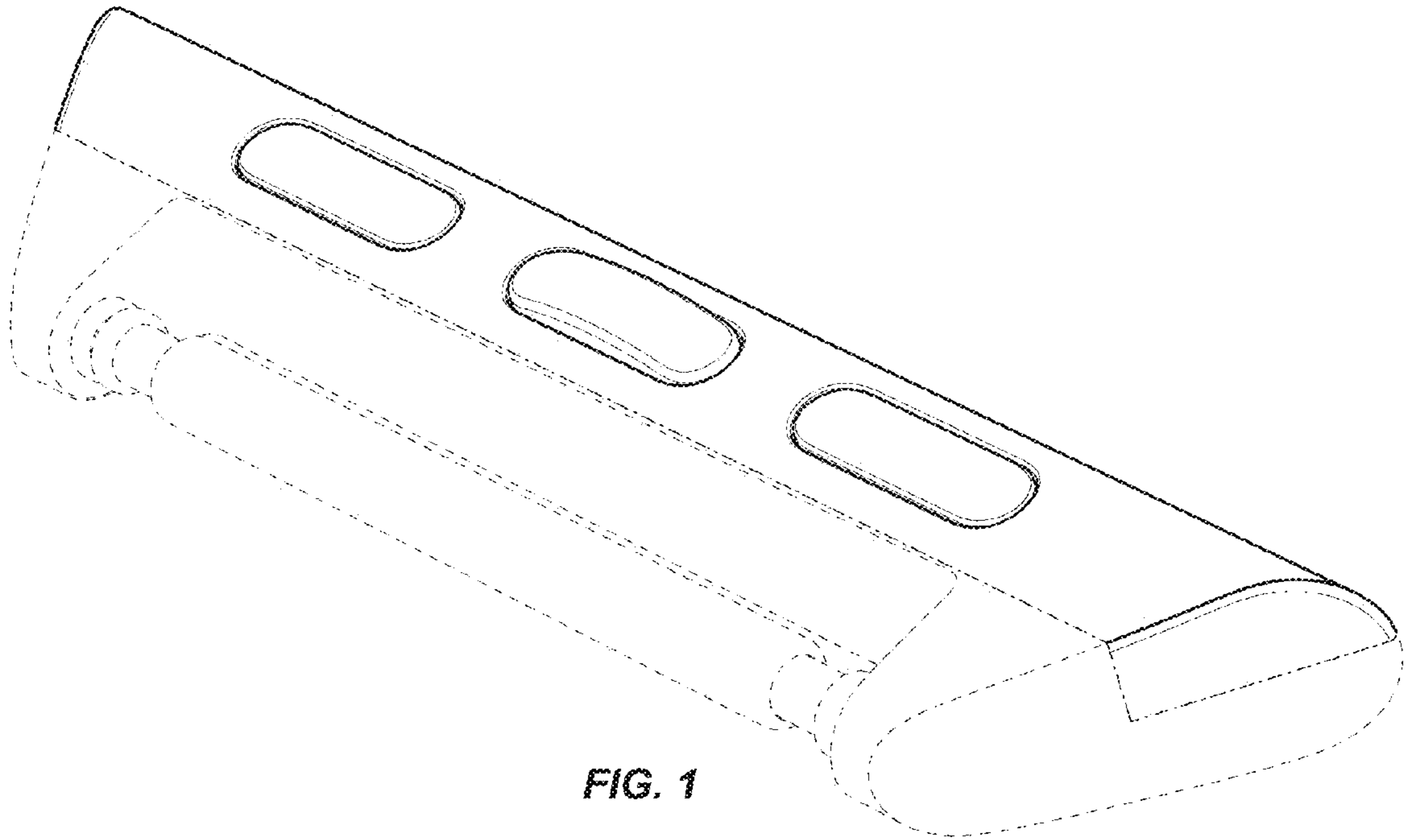


FIG. 1

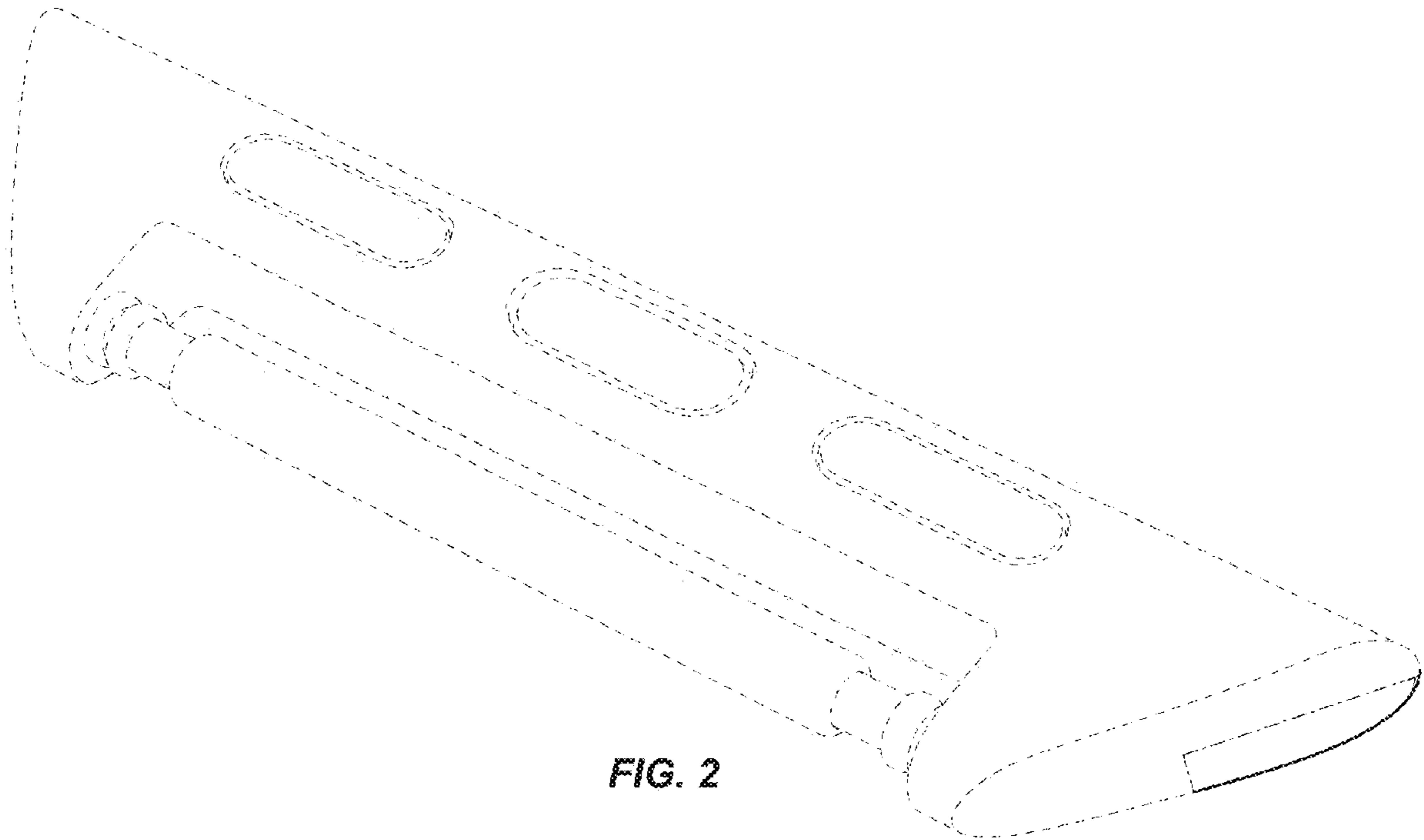


FIG. 2

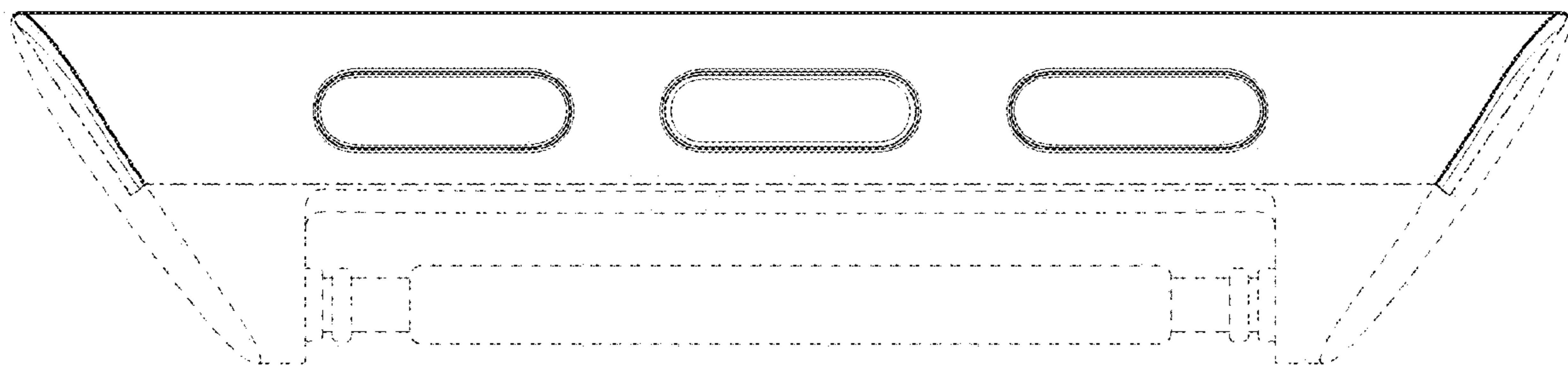


FIG. 3

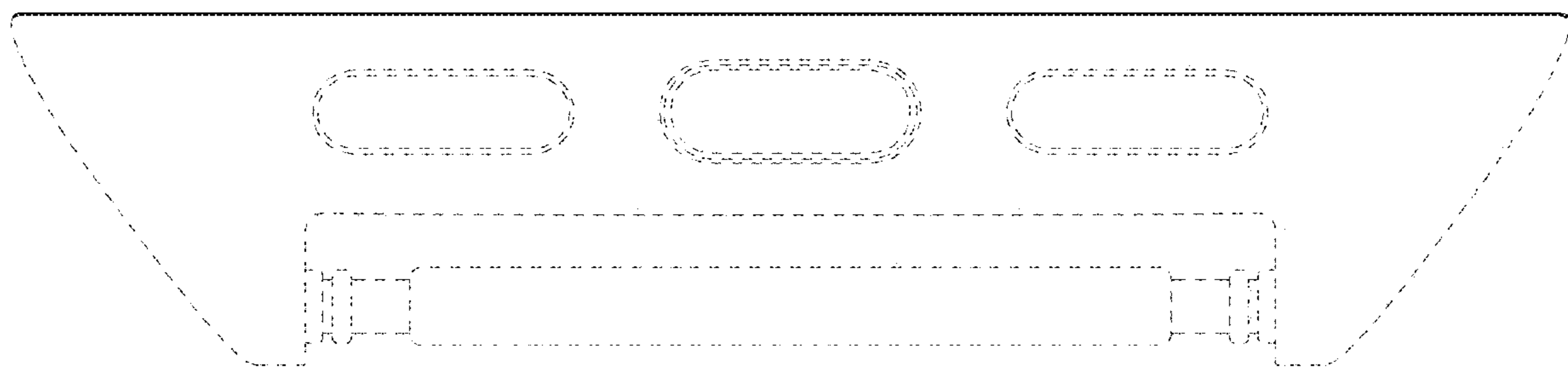


FIG. 4

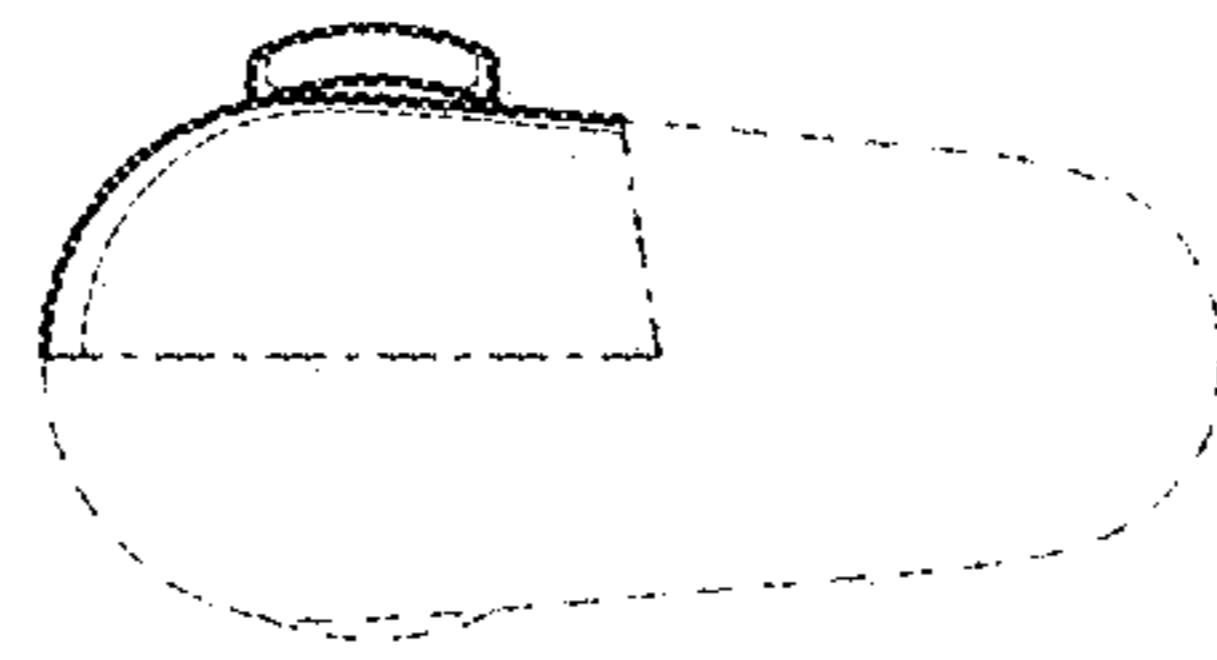


FIG. 5

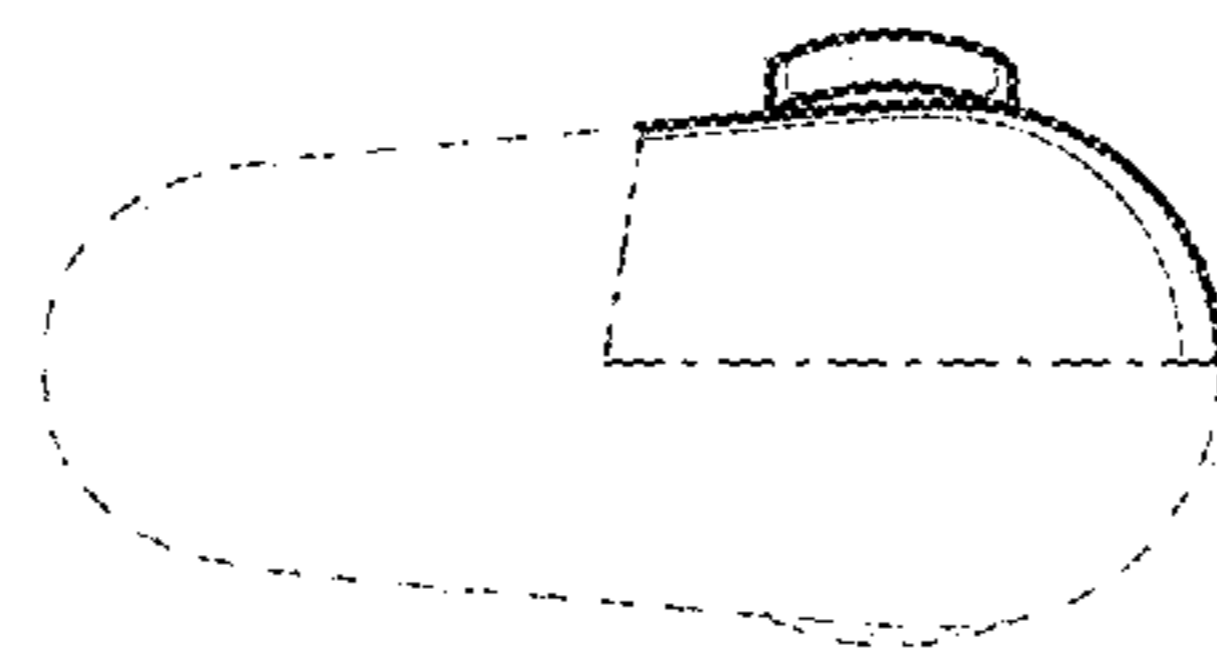


FIG. 6

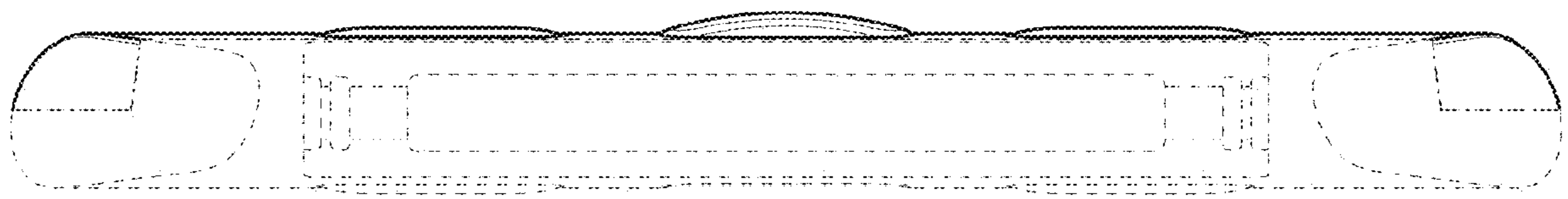


FIG. 7

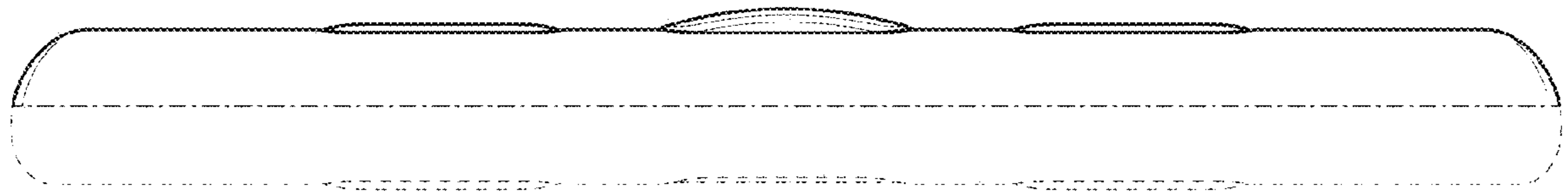


FIG. 8