



US00D987470S

(12) **United States Design Patent**  
**Garsaud**

(10) **Patent No.:** **US D987,470 S**

(45) **Date of Patent:** **\*\* May 30, 2023**

(54) **BUCKLE FOR WATCHSTRAPS**

(71) Applicant: **Harry Winston SA**, Plan-les-Ouates (CH)

(72) Inventor: **Sandra Garsaud**, Plan-les-Ouates (CH)

(73) Assignee: **Harry Winston SA**, Plan-les-Ouates (CH)

(\*\*) Term: **15 Years**

(21) Appl. No.: **29/738,249**

(22) Filed: **Jun. 16, 2020**

(51) **LOC (14) Cl.** ..... **11-01**

(52) **U.S. Cl.**  
USPC ..... **D11/94**

(58) **Field of Classification Search**  
USPC ..... D11/1-25, 86-88, 94, 231, 233-235;  
D10/30-32  
CPC .. A44C 5/00; A44C 5/18; A44B 11/00; A44B  
11/005; A44B 11/006  
See application file for complete search history.

(56) **References Cited**

U.S. PATENT DOCUMENTS

D451,843 S \* 12/2001 Gruosi ..... D11/231  
D454,519 S \* 3/2002 Gruosi ..... D11/231

D479,489 S \* 9/2003 Galvani ..... D11/234  
D479,812 S \* 9/2003 Galvani ..... D11/234  
D579,820 S \* 11/2008 Brown ..... D11/231  
D691,513 S \* 10/2013 Holloway ..... D11/234  
D723,422 S \* 3/2015 Gueit ..... D11/234  
D932,367 S \* 10/2021 Fulop ..... D11/231

\* cited by examiner

*Primary Examiner* — Zenia I Bennett

(74) *Attorney, Agent, or Firm* — Blank Rome LLP

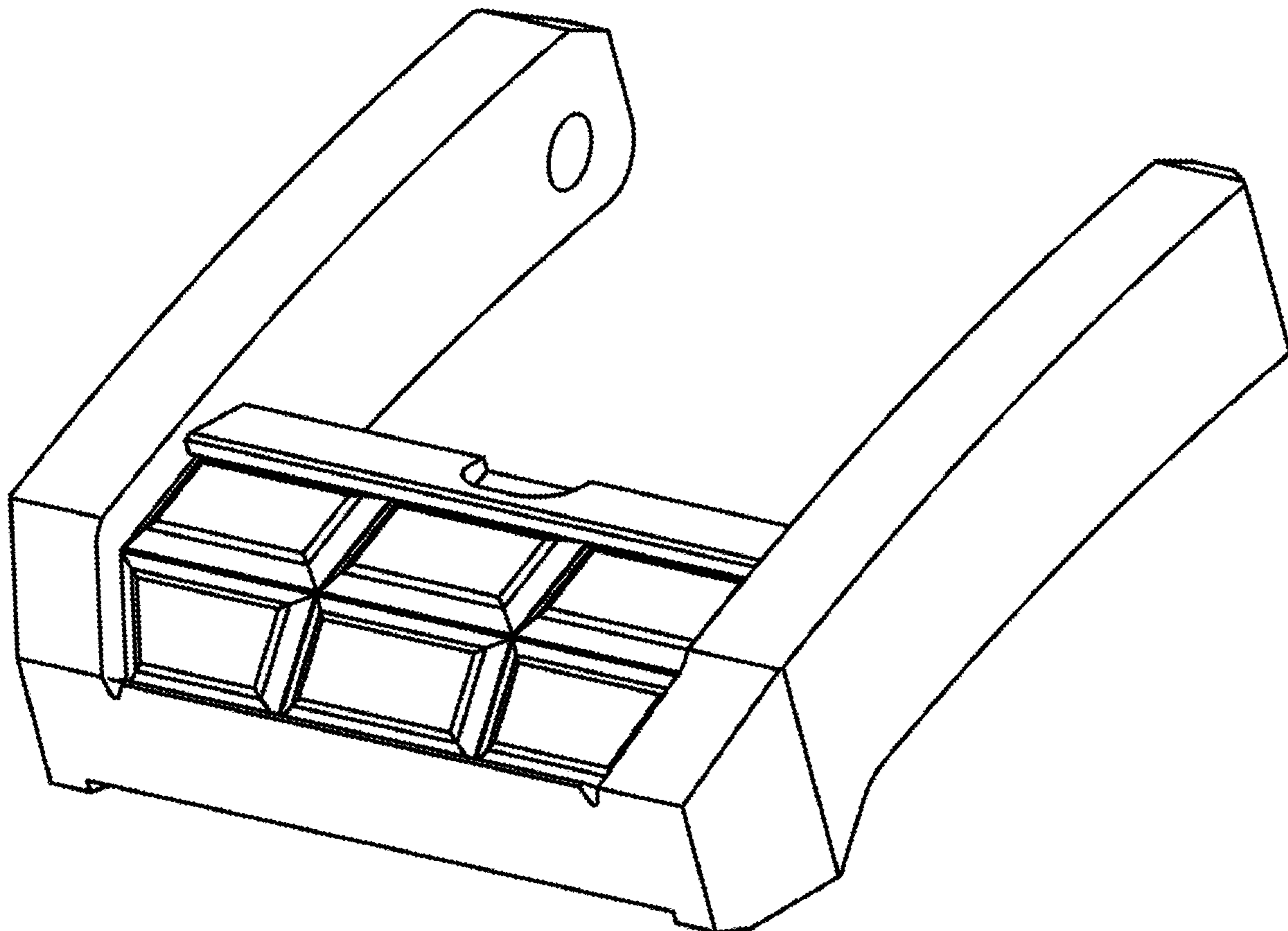
(57) **CLAIM**

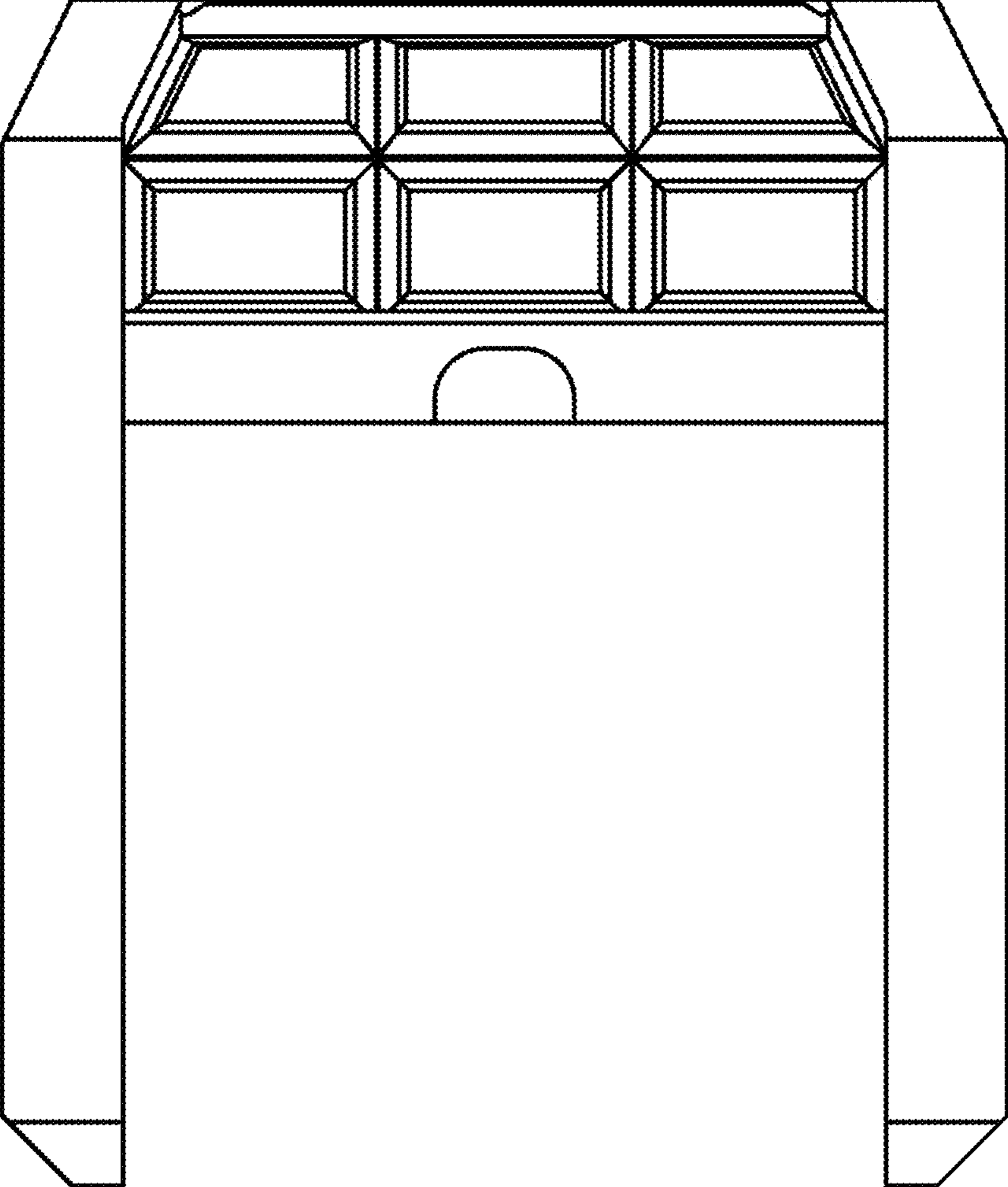
The ornamental design for a buckle for watchstraps, as shown and described.

**DESCRIPTION**

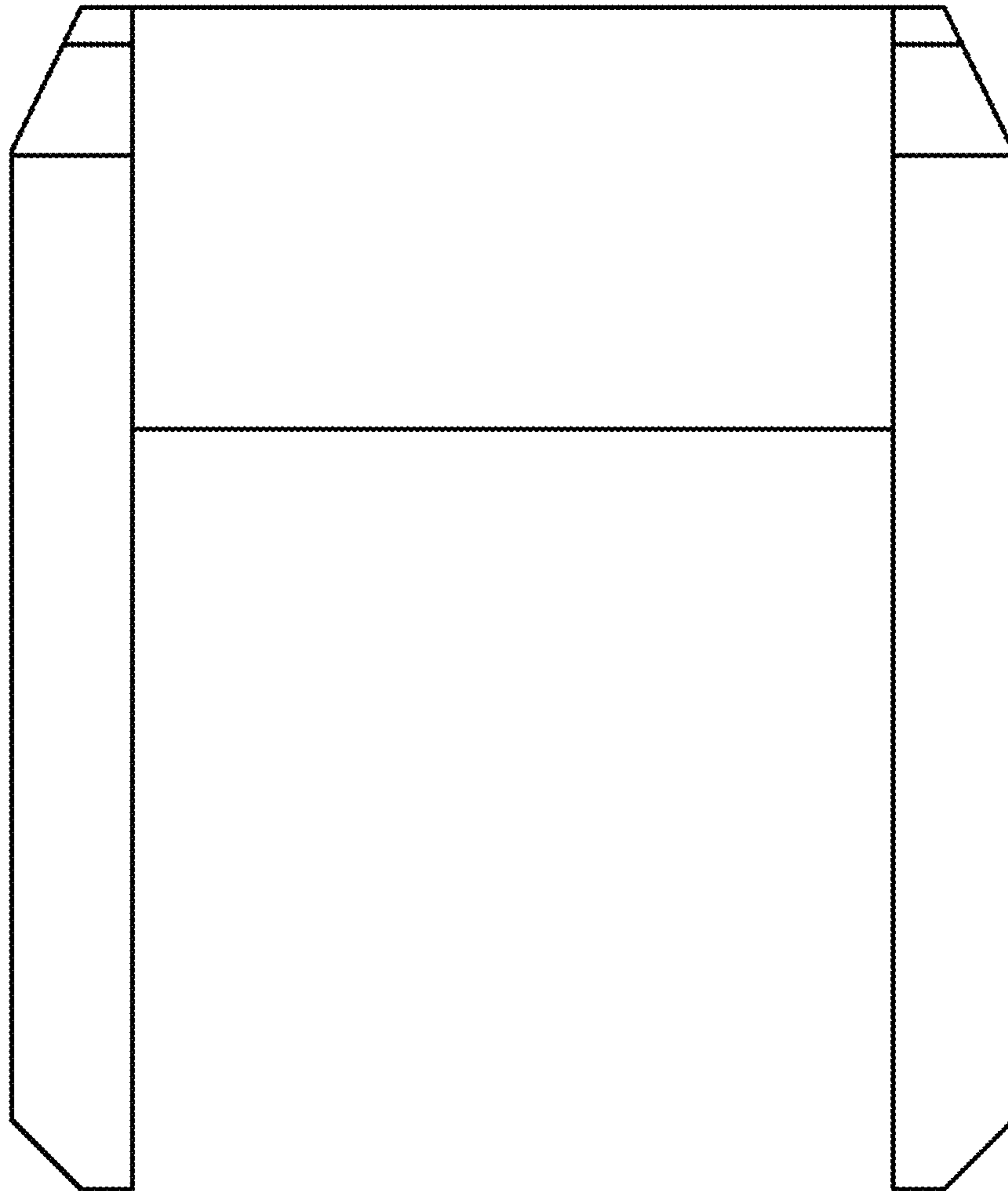
FIG. 1 is a front view of a buckle for watchstraps of the present design;  
FIG. 2 is a rear view thereof;  
FIG. 3 is a right side view thereof;  
FIG. 4 is a left side view thereof;  
FIG. 5 is a bottom view thereof;  
FIG. 6 is a top view thereof;  
FIG. 7 is a front top left perspective view thereof; and,  
FIG. 8 is a rear top right perspective view thereof.

**1 Claim, 8 Drawing Sheets**

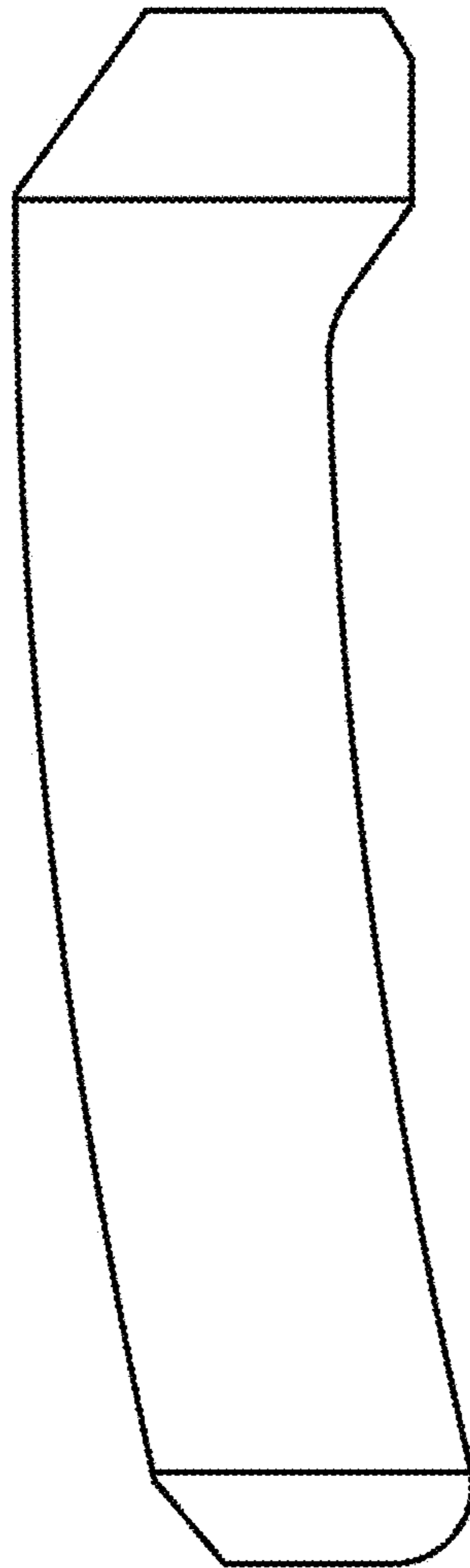




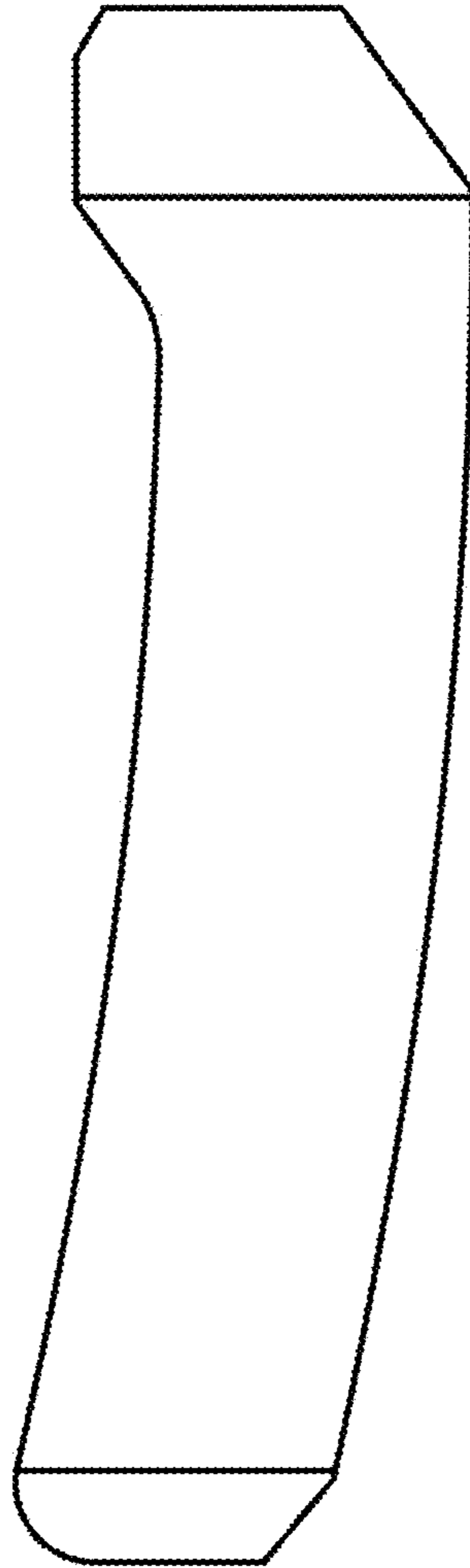
**FIG. 1**



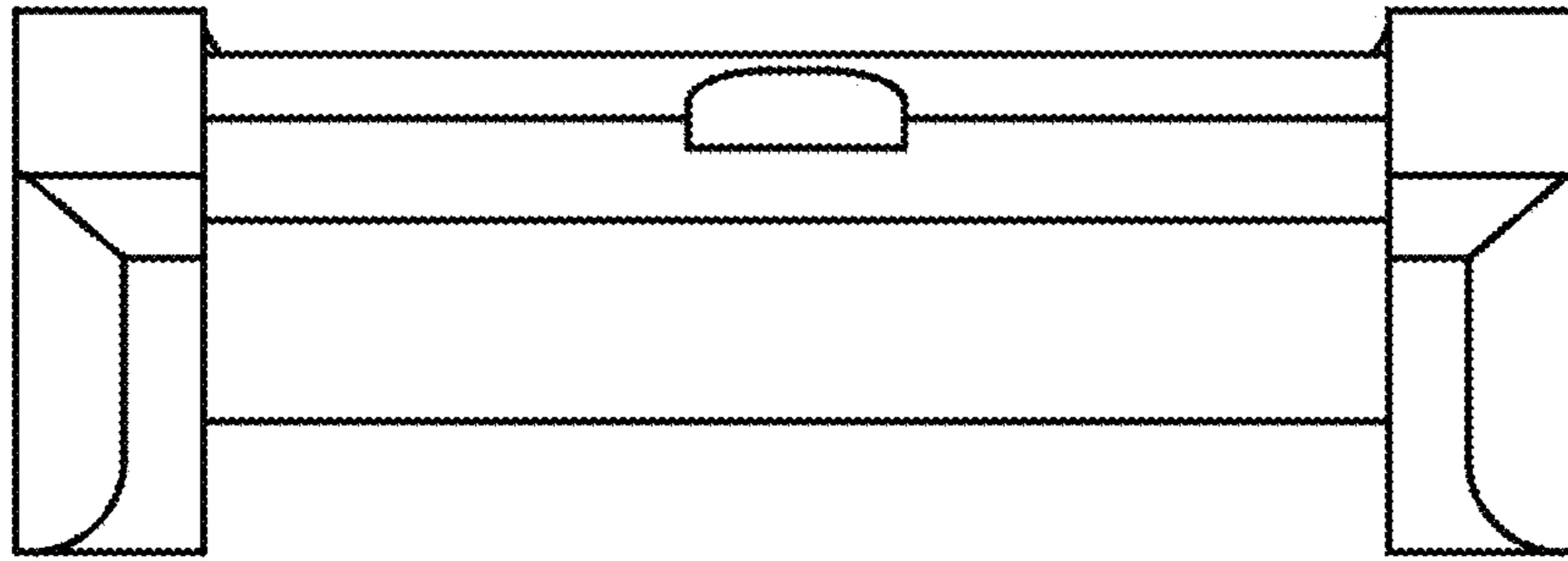
**FIG. 2**



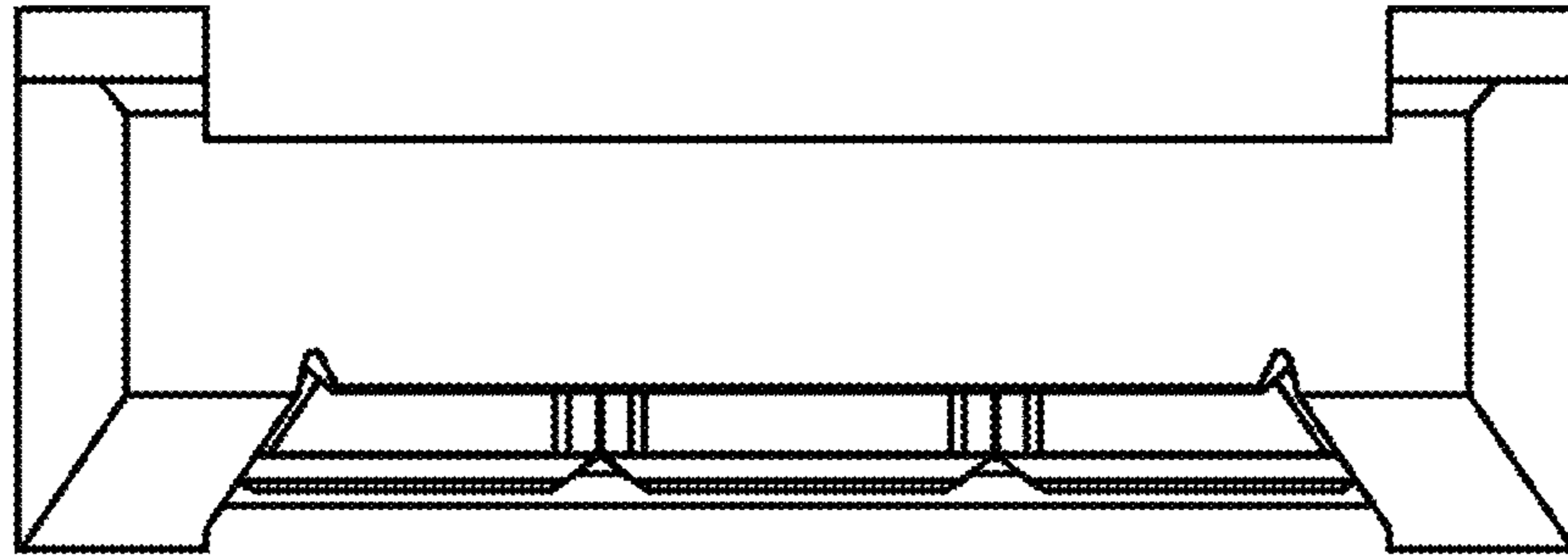
**FIG. 3**



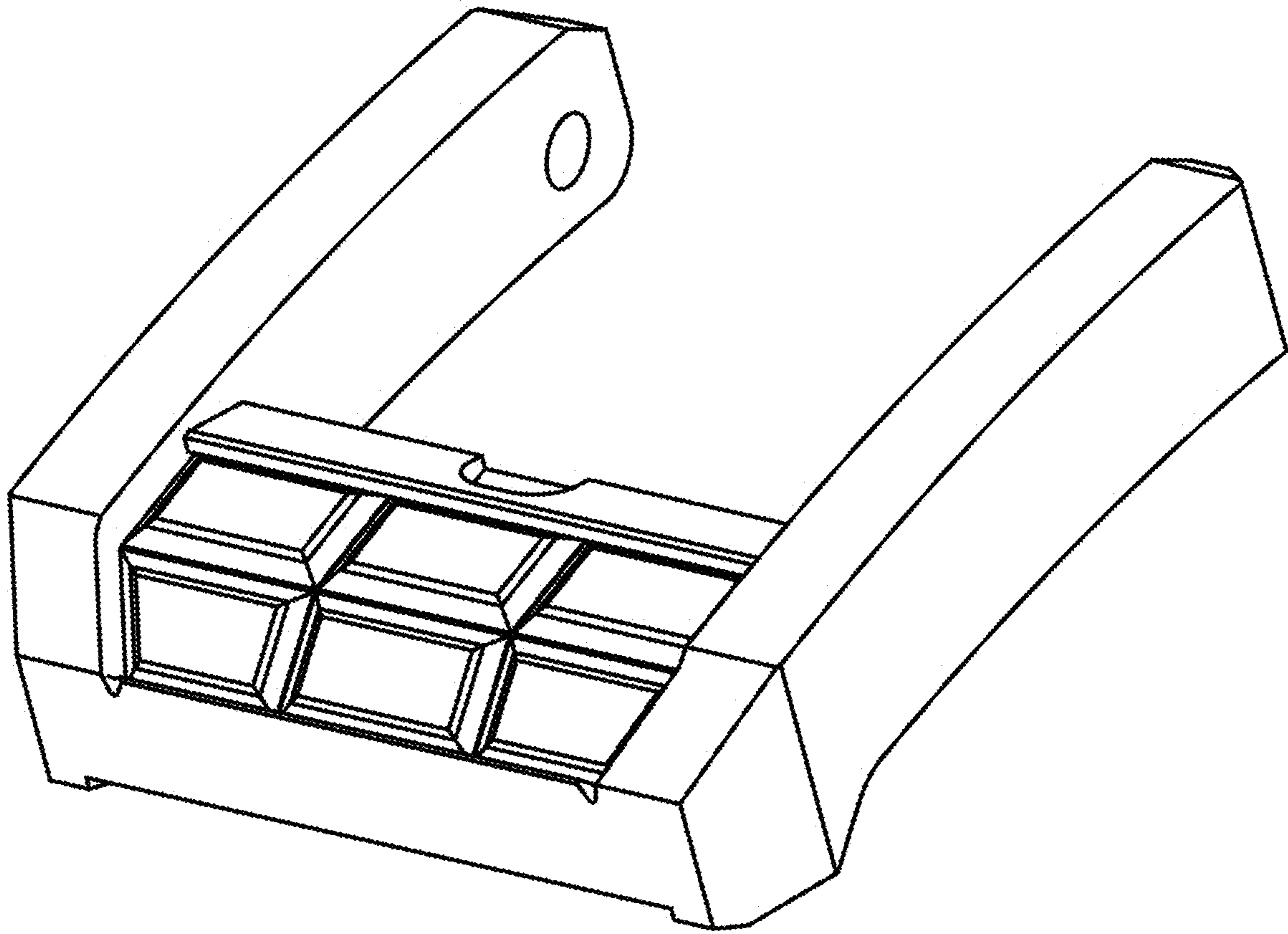
**FIG. 4**



**FIG. 5**

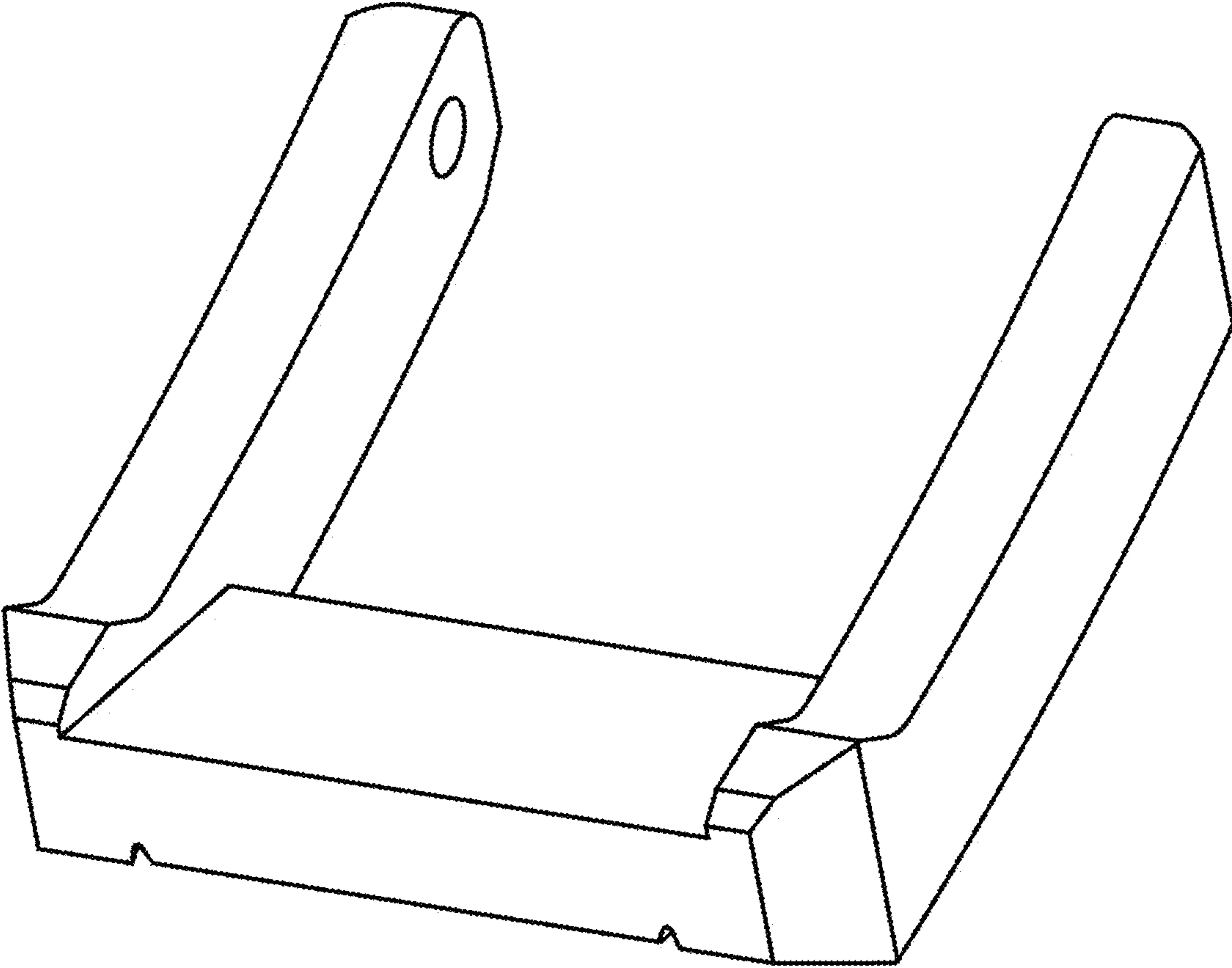


**FIG. 6**



**FIG. 7**





**FIG. 8**