



US00D987462S

(12) **United States Design Patent**
Li

(10) **Patent No.:** **US D987,462 S**

(45) **Date of Patent:** **** May 30, 2023**

(54) **WATCH STRAP**

(71) Applicant: **Xiaofeng Li**, Chenzhou (CN)

(72) Inventor: **Xiaofeng Li**, Chenzhou (CN)

(**) Term: **15 Years**

(21) Appl. No.: **29/760,824**

(22) Filed: **Dec. 4, 2020**

(51) **LOC (14) Cl.** **11-01**

(52) **U.S. Cl.**
USPC **D11/3**

(58) **Field of Classification Search**
USPC D11/1-3; D10/30, 31, 32; D14/344
CPC A44C 5/00; A44C 5/0053; A44C 5/0069;
A44C 5/16; A44C 5/20
See application file for complete search history.

(56) **References Cited**

U.S. PATENT DOCUMENTS

D285,422	S	*	9/1986	Grimes	D10/32
D349,257	S	*	8/1994	Polenberg	D11/3
D726,056	S	*	4/2015	Riddiford et al.	D11/3
D756,832	S	*	5/2016	Riddiford et al.	D11/3
D781,852	S	*	3/2017	Yu et al.	D14/344
D793,271	S		8/2017	Cerrato		
D795,731	S		8/2017	Bayley et al.		
D821,246	S	*	6/2018	Akana et al.	D11/3
D836,477	S	*	12/2018	Peng	D11/3
D839,121	S	*	1/2019	Liu	D11/3
D840,860	S	*	2/2019	Zhang	D11/3
D841,512	S	*	2/2019	Paschke et al.	D11/3
D875,555	S	*	2/2020	Komulainen	D10/32
D881,059	S	*	4/2020	Schowalter	D11/3
D881,060	S	*	4/2020	Wang	D11/3
D883,840	S	*	5/2020	Schowalter	D11/3
D889,304	S	*	7/2020	Paschke et al.	D11/3
D891,285	S	*	7/2020	Tse	D11/3
D894,033	S	*	8/2020	Zhang	D11/3
D901,321	S	*	11/2020	Riot et al.	D11/3
D901,322	S	*	11/2020	Riot et al.	D11/3
D902,769	S	*	11/2020	Riot et al.	D11/3
D909,225	S	*	2/2021	Riot et al.	D11/3
D911,205	S	*	2/2021	Chung et al.	D11/3

D917,325	S	*	4/2021	Li et al.	D11/3
11,033,082	B1	*	6/2021	Riot et al.	A44C 5/147
D926,614	S	*	8/2021	Velazquez	D11/3
D926,615	S	*	8/2021	Li	D11/3
D931,853	S	*	9/2021	Xu et al.	D14/344
D933,648	S	*	10/2021	Yu et al.	D14/344

OTHER PUBLICATIONS

Elaikement 4PACK Sport Band, for sale on www.amazon.com since Oct. 16, 2019, online. Site URL:<"https://www.amazon.com/Elaikement-Sport-Compatible-Breathable-Replace-ment-Variou/dp/B07Z64K7CF/"> acquired on Jan. 24, 2022. (Year: 2019).*

Adepoy Compatible for Apple Watch Band, Walmart.com, for sale since Jun. 29, 2020, online. Site URL:<"https://www.walmart.com/ip/Adepoy-Compatible-For-Apple-Watch-Strap-Waterproof-Sili-cone-Style-Soft-Breathable-Replacement-Wristbands-iwatch-38mm-40mm-42mm-44mm-Series-5-4-3-2-1/352230837"> (Year: 2020).*

* cited by examiner

Primary Examiner — Llorelys Martinez

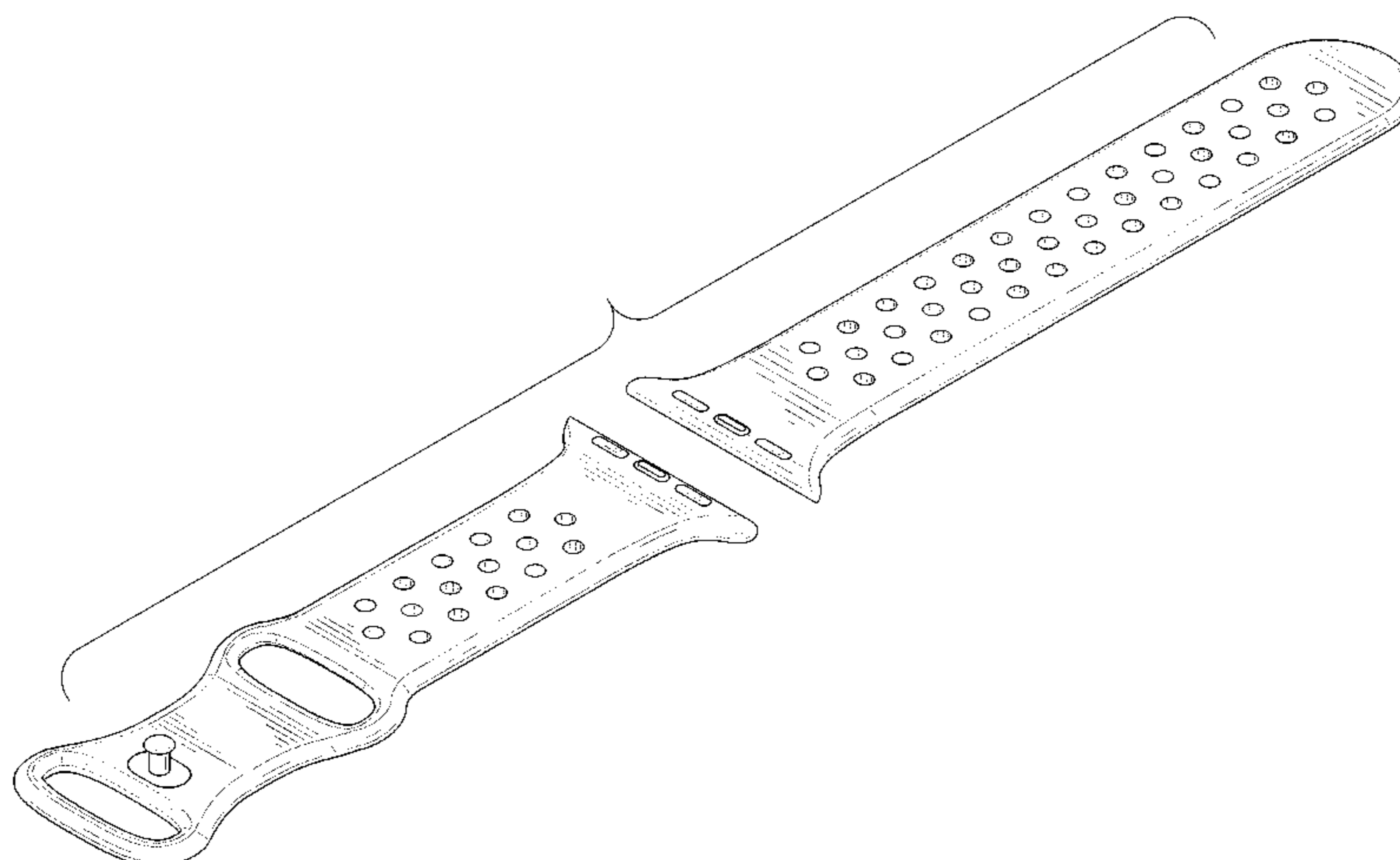
(57) **CLAIM**

The ornamental design for a watch strap as shown and described.

DESCRIPTION

FIG. 1 is a perspective view of a watch strap showing my new design;
FIG. 2 is another perspective view thereof;
FIG. 3 is a front elevational view thereof;
FIG. 4 is a rear elevational view thereof;
FIG. 5 is a left side elevational view thereof;
FIG. 6 is a right side elevational view thereof;
FIG. 7 is a top plan view thereof;
FIG. 8 is a bottom plan view thereof; and
FIG. 9 is a perspective view of the watch strap where the watch strap is in a configuration of use.
The broken lines shown in the drawings represent environmental subject matter only and form no part of the claimed design.

1 Claim, 9 Drawing Sheets



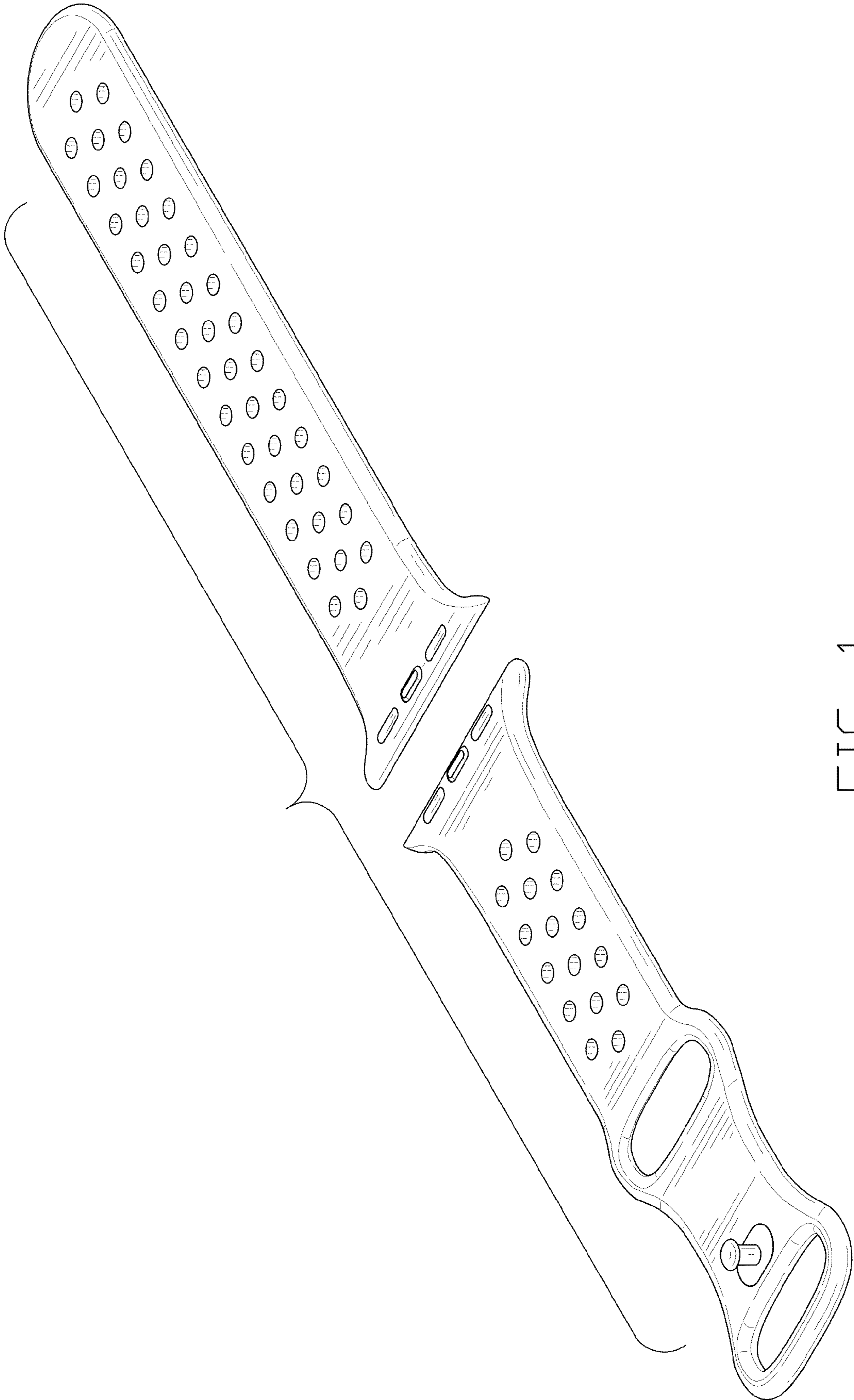


FIG. 1

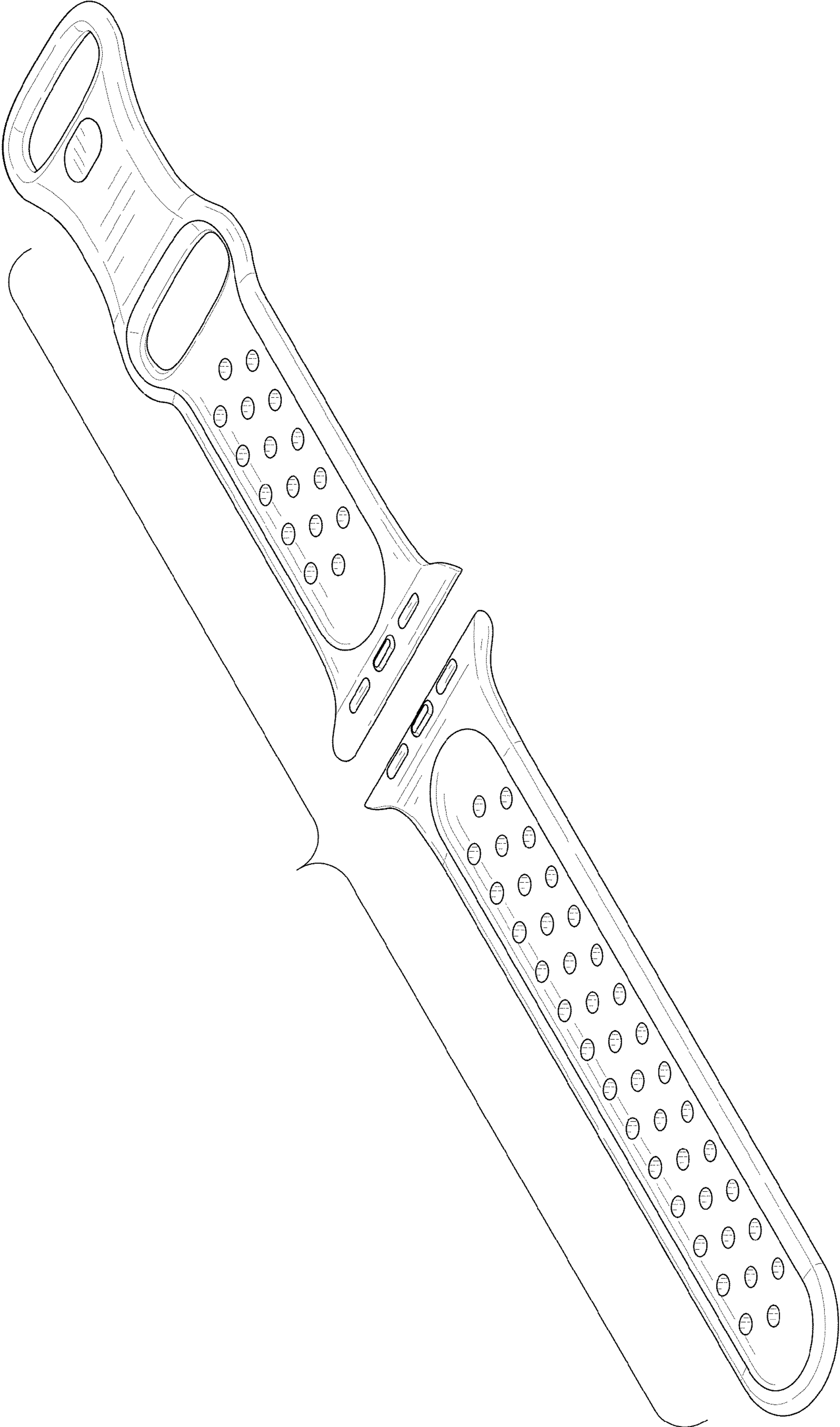


FIG. 2

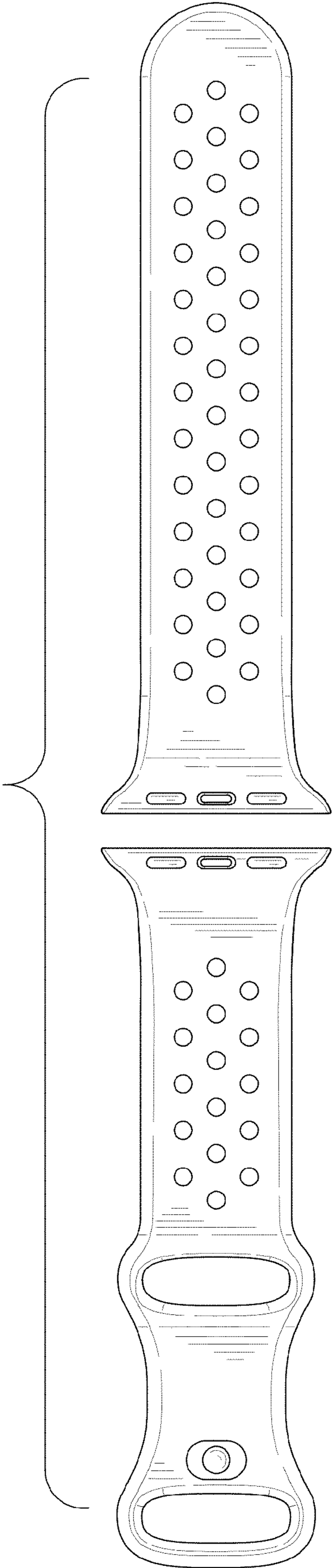


FIG. 3

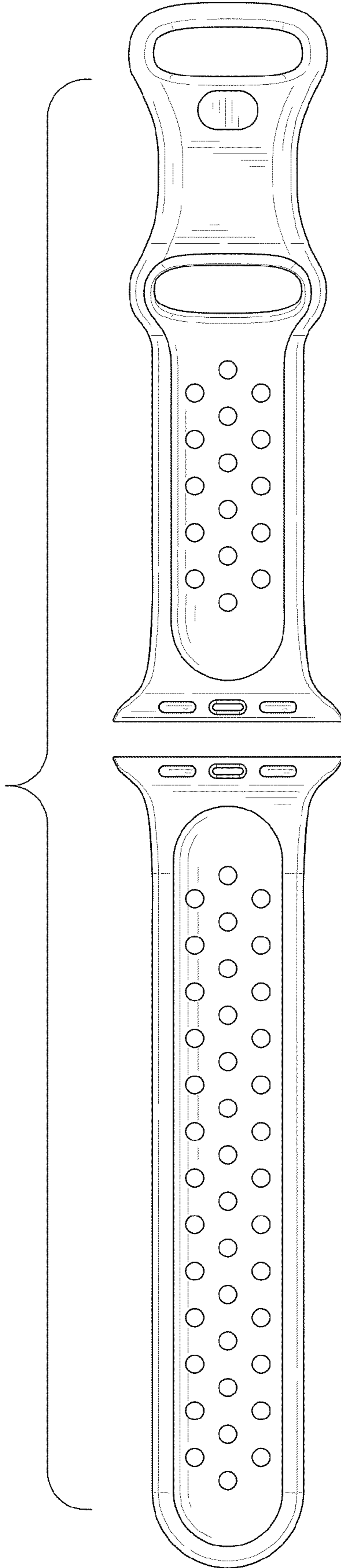


FIG. 4

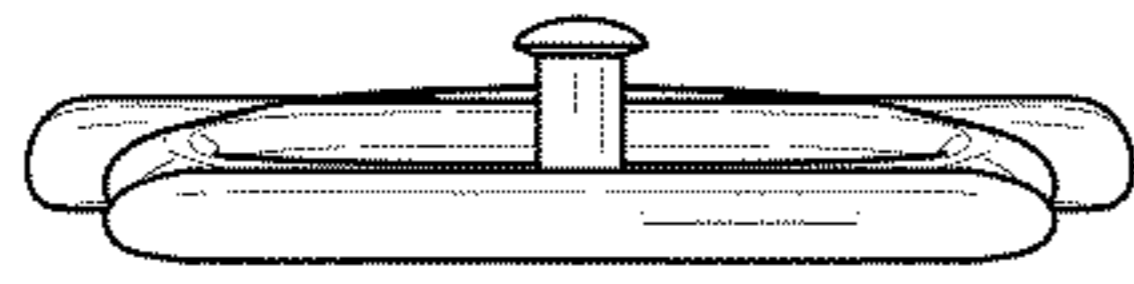


FIG. 5

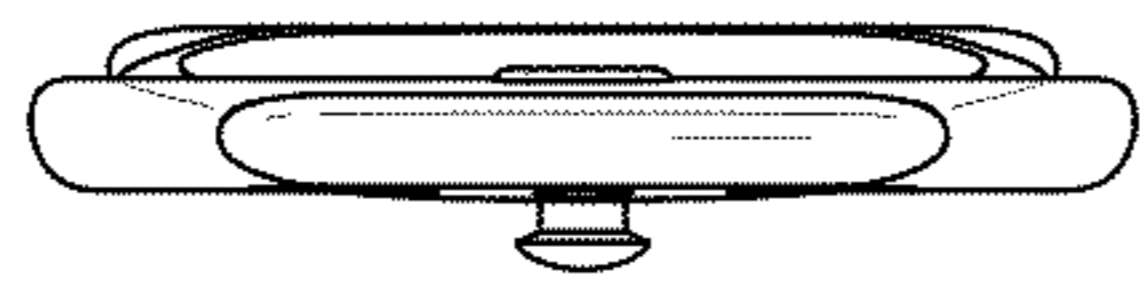


FIG. 6

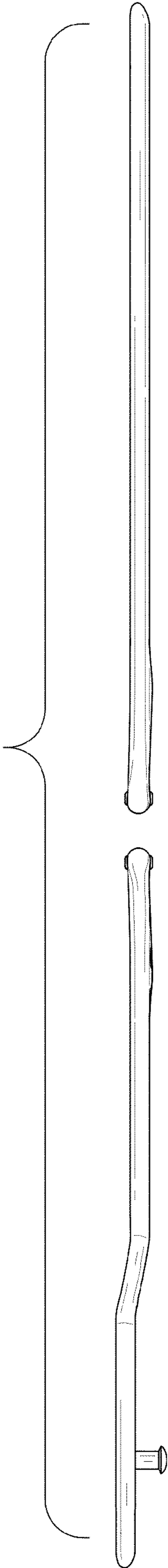


FIG. 7

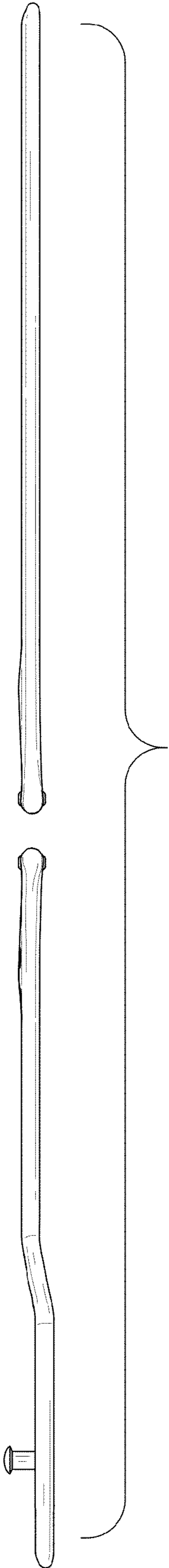


FIG. 8

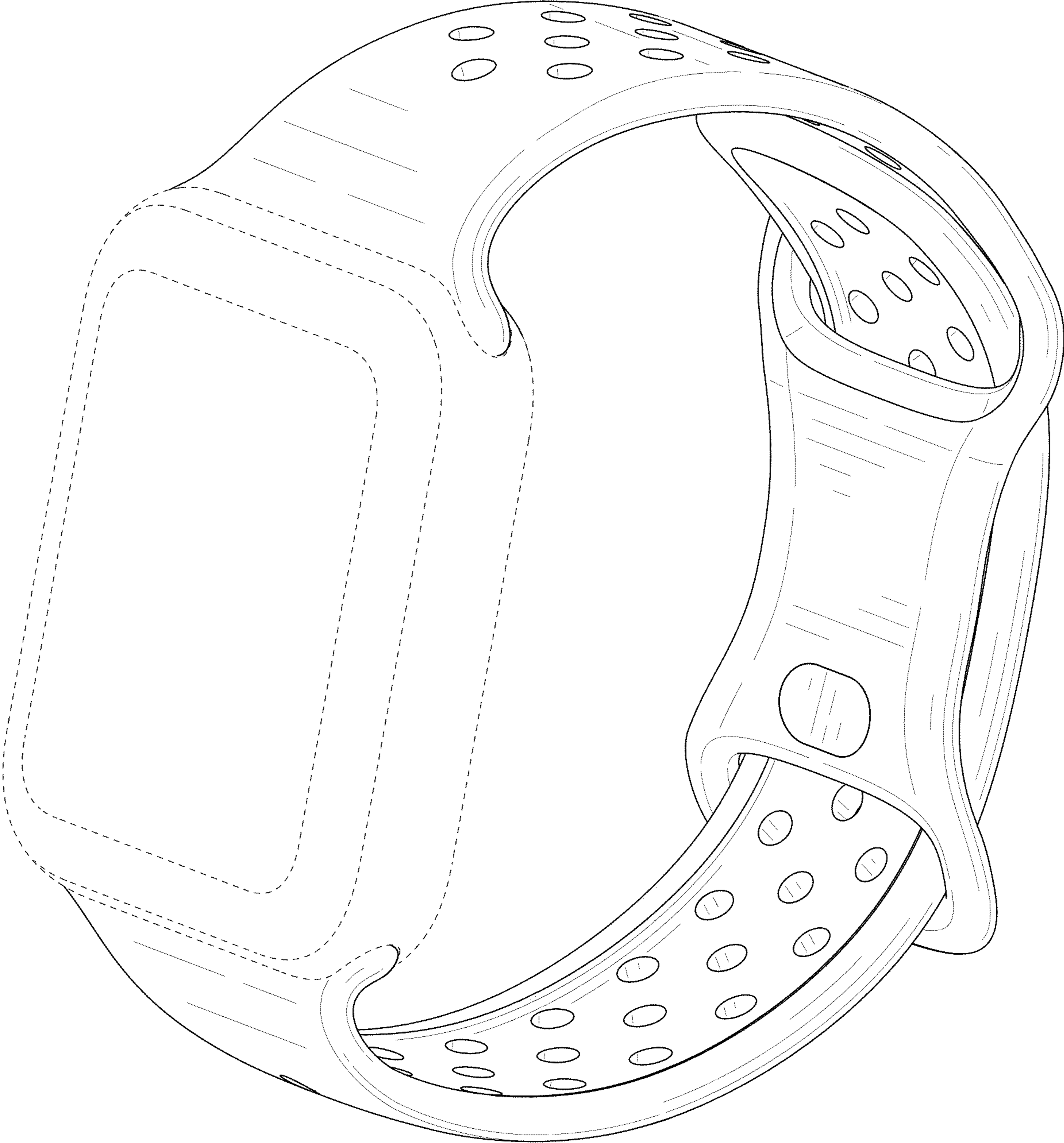


FIG. 9