



US00D987452S

(12) **United States Design Patent**
Zhang

(10) **Patent No.:** **US D987,452 S**

(45) **Date of Patent:** **** May 30, 2023**

(54) **MEASURING WHEEL**

(71) Applicant: **Huaxing Zhang**, Yuyao (CN)

(72) Inventor: **Huaxing Zhang**, Yuyao (CN)

(**) Term: **15 Years**

(21) Appl. No.: **29/806,670**

(22) Filed: **Sep. 5, 2021**

(51) **LOC (14) Cl.** **10-04**

(52) **U.S. Cl.**
USPC **D10/70**

(58) **Field of Classification Search**
USPC D10/65, 47, 56, 70, 69
CPC G01B 3/12; G01B 7/14; G01C 22/00
See application file for complete search history.

(56) **References Cited**

U.S. PATENT DOCUMENTS

- 882,191 A * 3/1908 Finn G01C 22/00
D10/70
- D167,496 S * 8/1952 Chapman D10/70
- D224,045 S * 6/1972 Evans D10/70
- D437,796 S * 2/2001 Risi D10/70
- D458,162 S * 6/2002 Wightman D10/70
- D486,406 S * 2/2004 Critelli G01B 3/12
D10/70
- D491,081 S * 6/2004 Olson D10/70
- D500,692 S * 1/2005 Olson D10/70
- D571,238 S * 6/2008 Stervermer D10/70
- D726,039 S * 4/2015 Wojciechowski D10/70
- D726,040 S * 4/2015 Wojciechowski D10/70
- D726,041 S * 4/2015 Wojciechowski D10/70
- D831,517 S * 10/2018 Cobb D10/74
- 2011/0068778 A1 * 3/2011 Lai G01B 3/12
324/207.25
- 2013/0133212 A1 * 5/2013 Lai G01B 3/12
33/203
- 2013/0133217 A1 * 5/2013 Lai G01B 3/12
33/782
- 2015/0276365 A1 * 10/2015 Wojciechowski G01B 3/12
33/701

- 2018/0073848 A1 * 3/2018 Wang G01B 3/12
- 2018/0156593 A1 * 6/2018 Wang G01B 3/12
- 2020/0124392 A1 * 4/2020 Cobb G01B 3/12
- 2022/0333909 A1 * 10/2022 Katsaros G01B 5/0004

FOREIGN PATENT DOCUMENTS

CN 307064952 * 1/2022

OTHER PUBLICATIONS

SILVEL Measuring Wheel in Feet and Inches, 12in Foldable Measuring Wheels, with Cloth Handbag, Amazon, date first available Nov. 21, 2022, (online)URL: https://www.amazon.com/SILVEL-Measuring-Inches-Foldable-Handbag/dp/B0BN1NN8PQ/ref=cm_cr_arp_d_product_top (Year: 2022).*

* cited by examiner

Primary Examiner — George D. Kirschbaum

Assistant Examiner — Antoinette Martine Suiter

(74) *Attorney, Agent, or Firm* — Georgi Korobanov

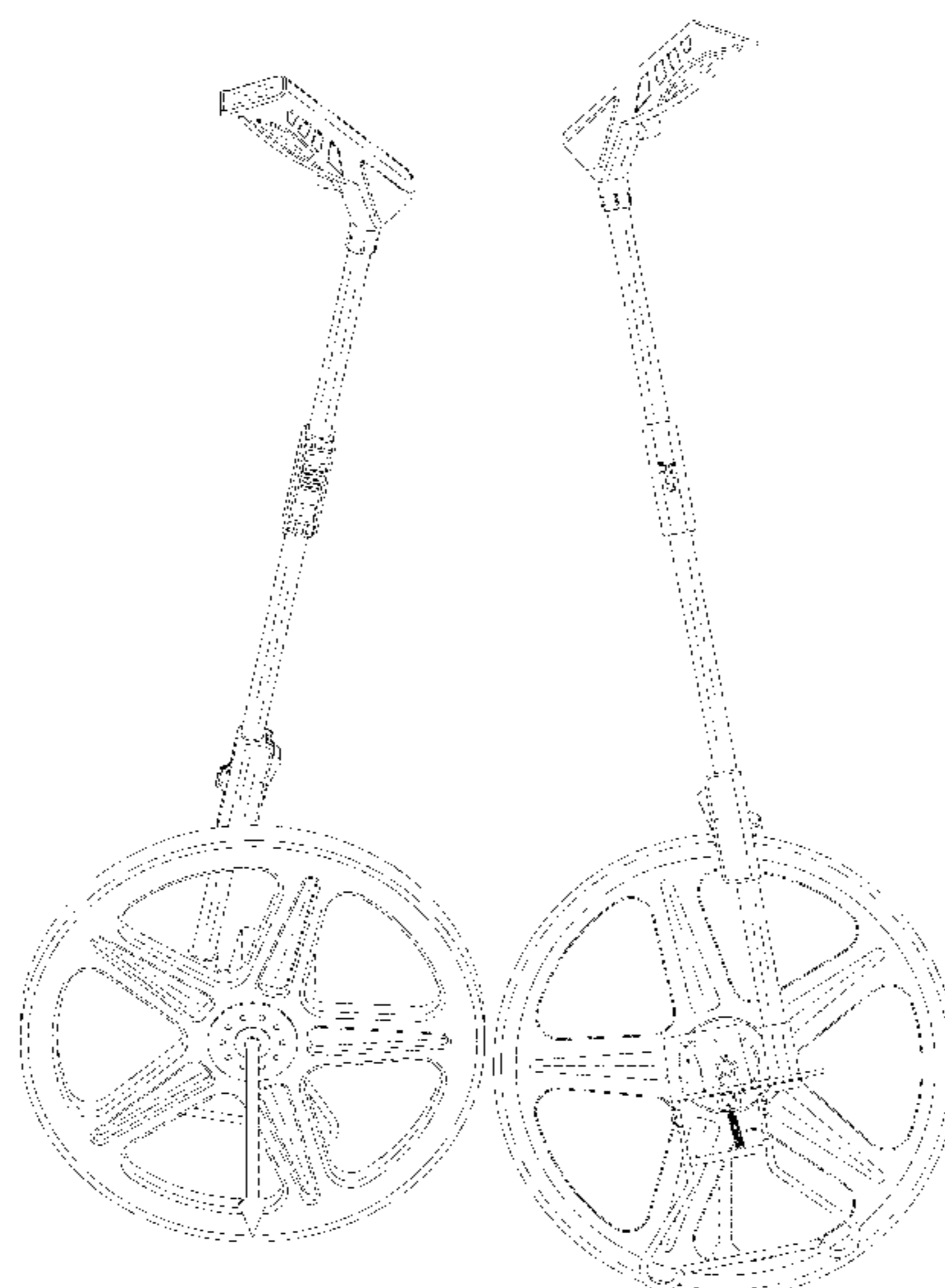
(57) **CLAIM**

The ornamental design for a measuring wheel, as shown and described.

DESCRIPTION

FIG. 1 is a perspective view thereof;
FIG. 2 is a front plan view thereof;
FIG. 3 is a rear plan view thereof;
FIG. 4 is a left side view thereof;
FIG. 5 is a right side view thereof;
FIG. 6 is a top plan view thereof; and,
FIG. 7 is a bottom plan view thereof.
The broken lines depict portions of the article that form no part of the claimed design.

1 Claim, 7 Drawing Sheets



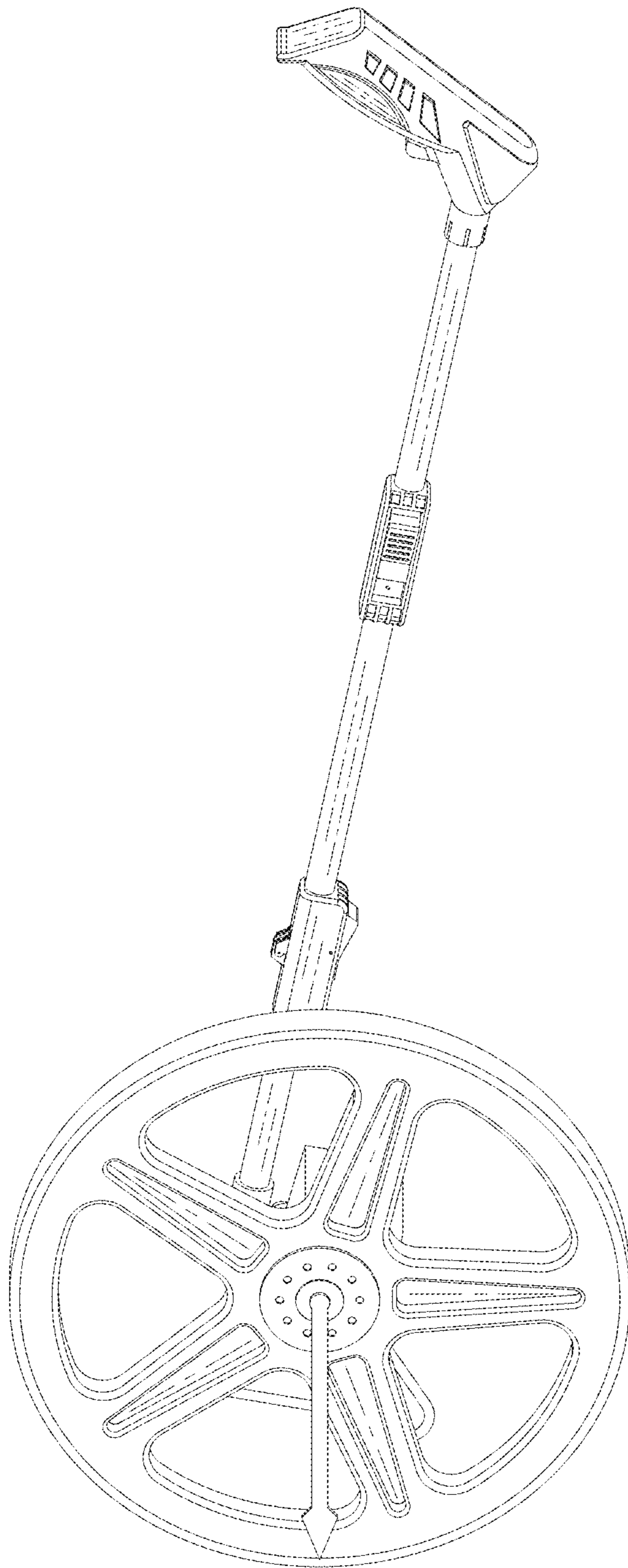


FIG. 1

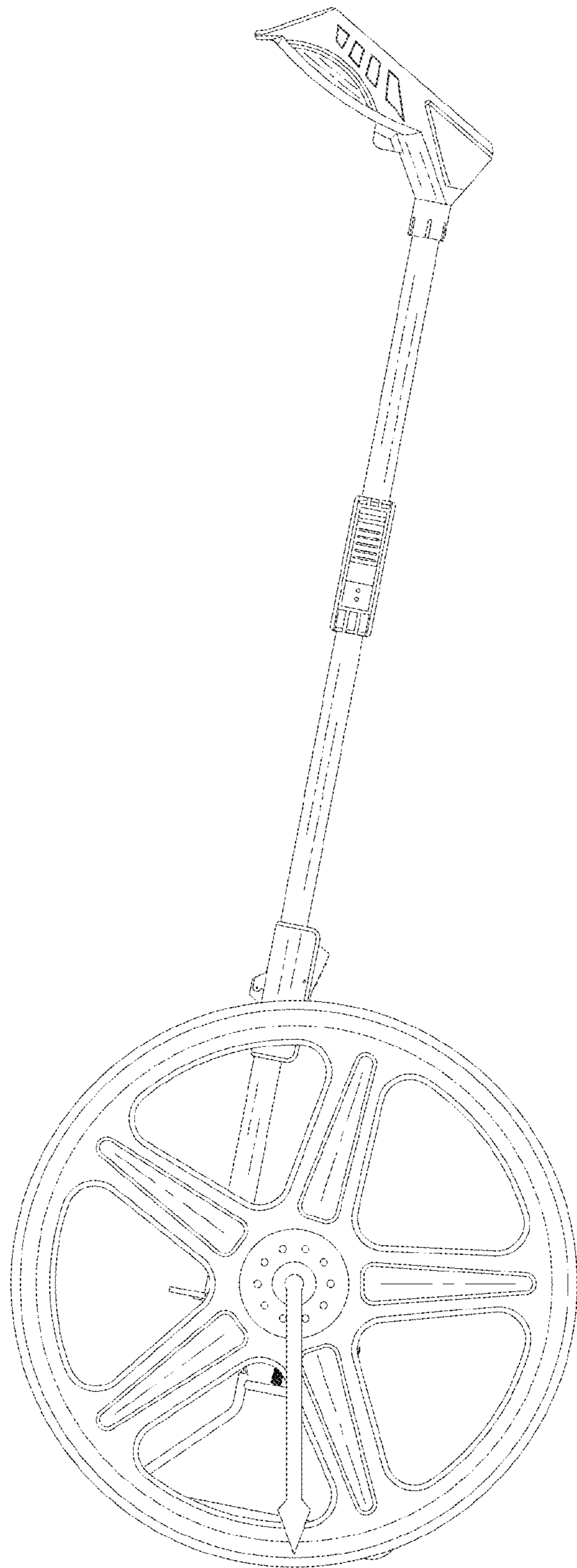


FIG. 2

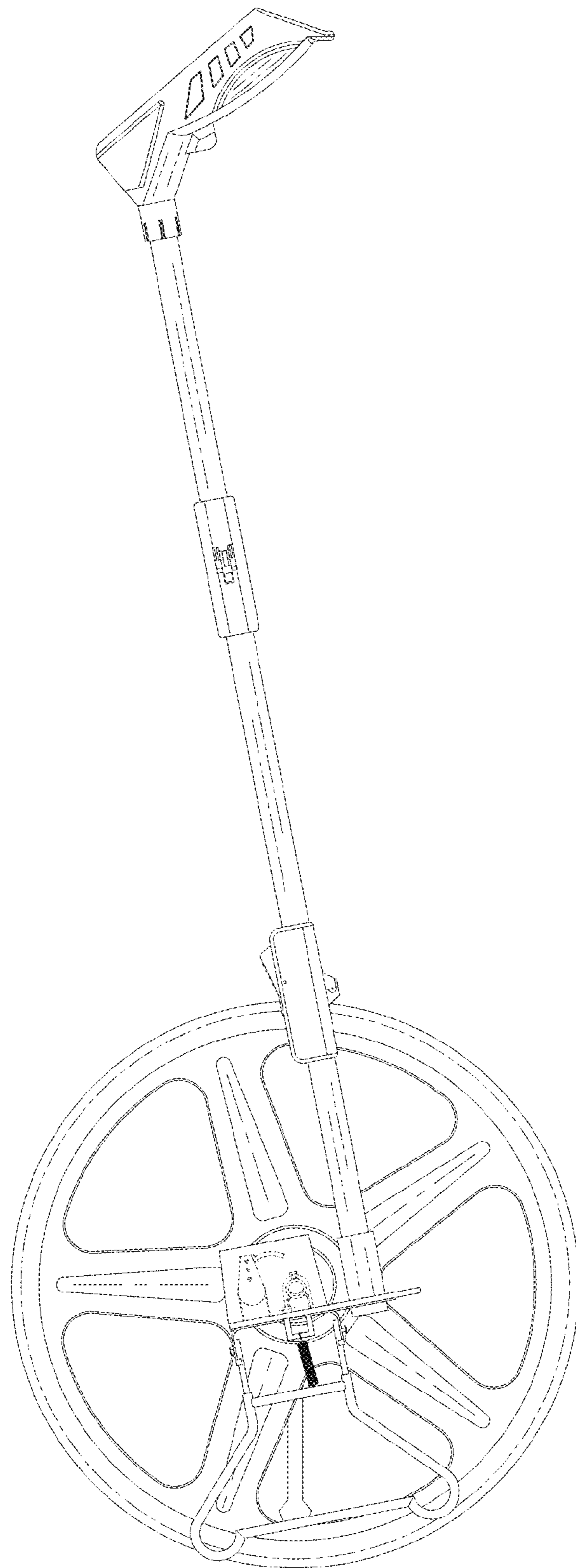


FIG. 3

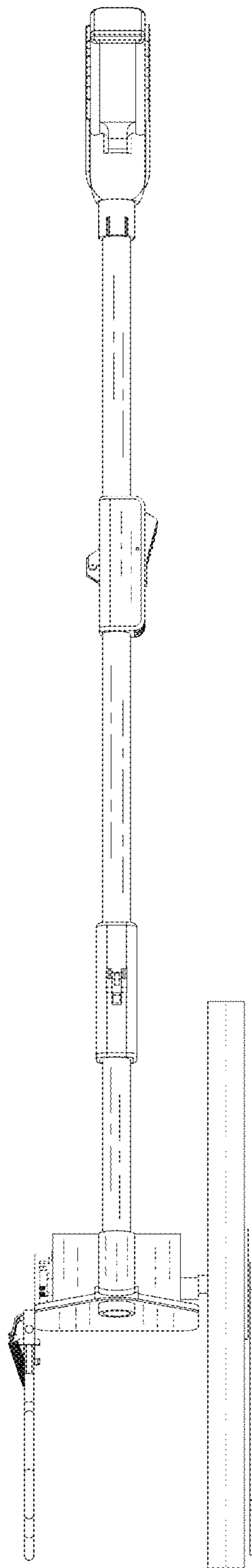


FIG. 4

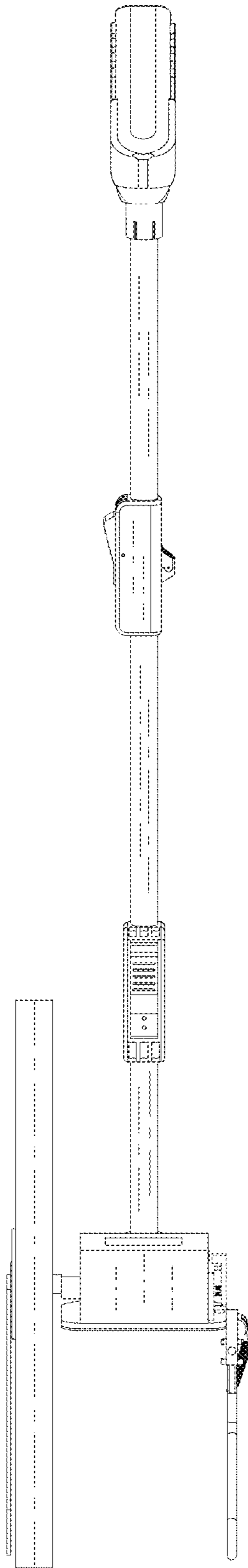


FIG. 5

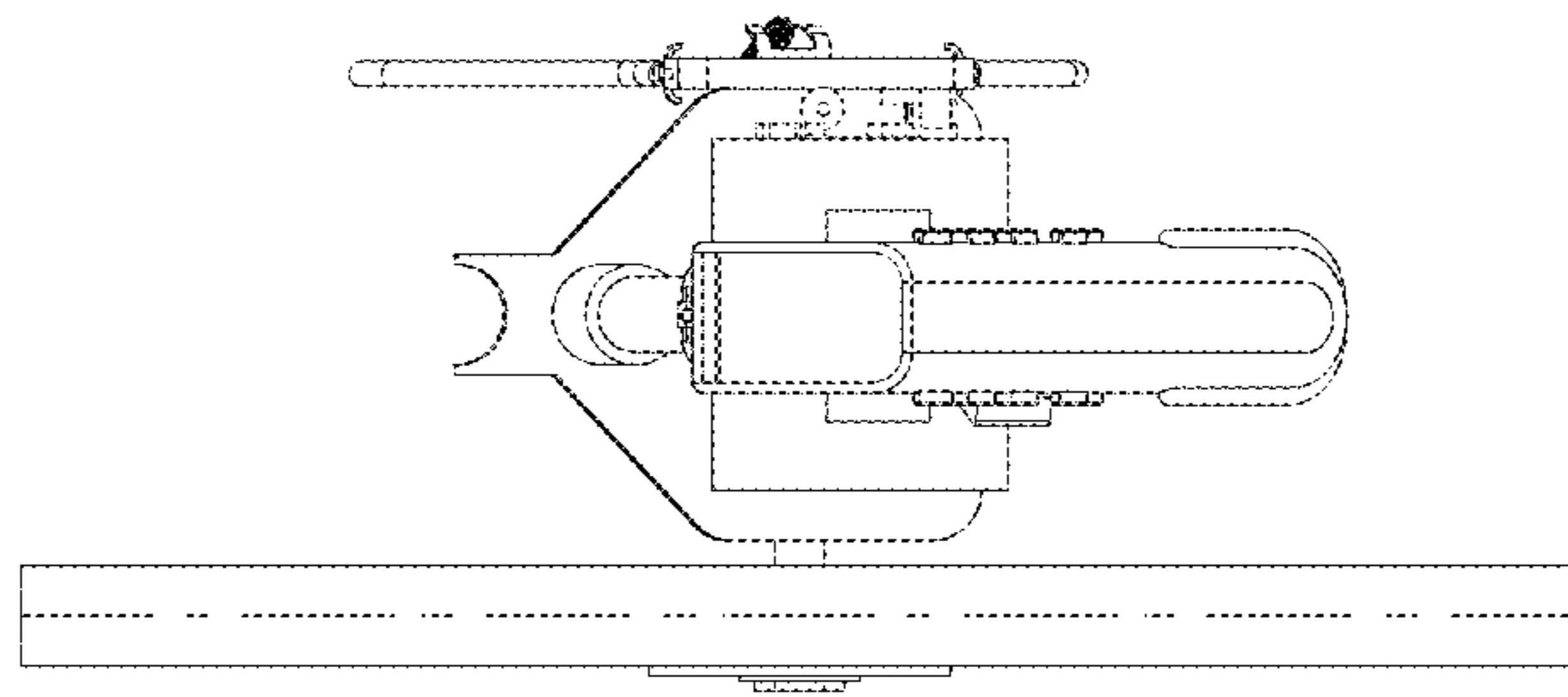


FIG. 6

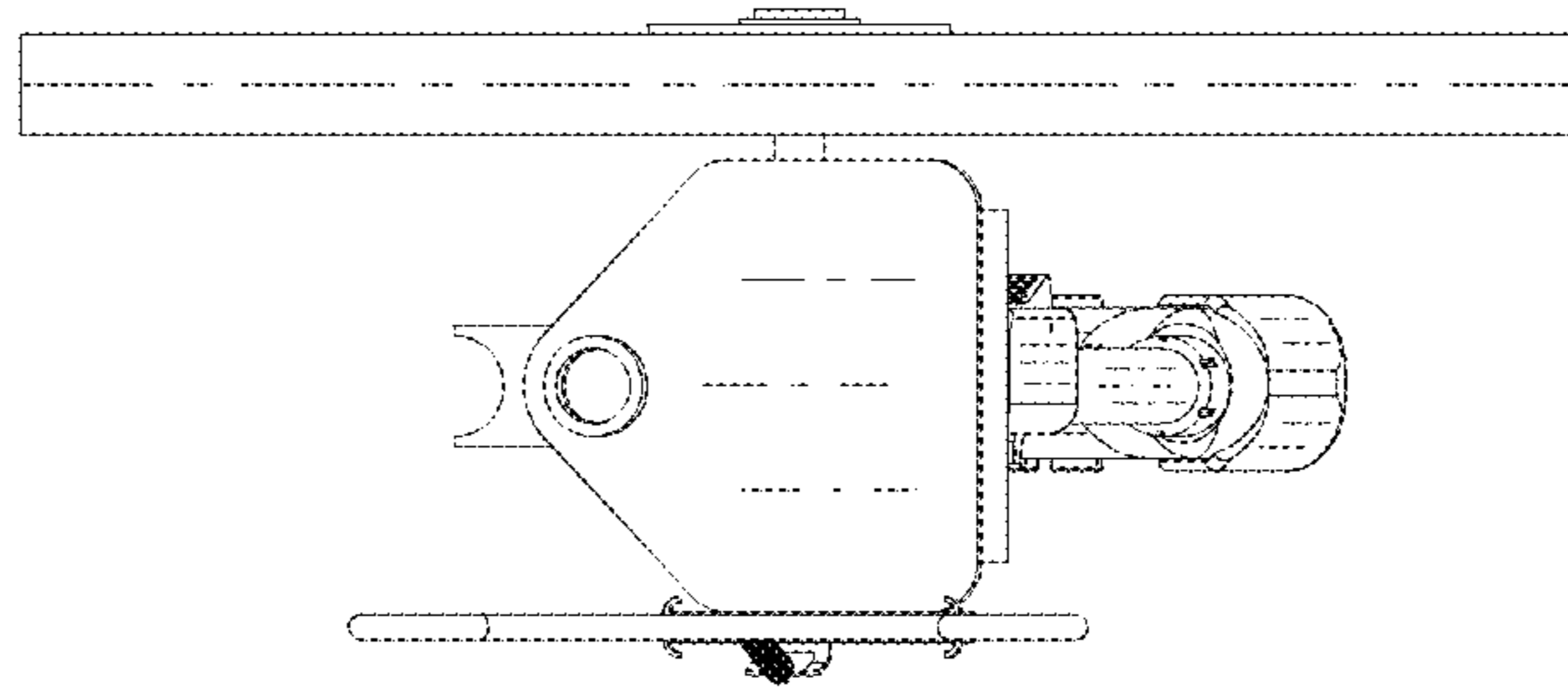


FIG. 7