



US00D987449S

(12) **United States Design Patent** (10) **Patent No.:** **US D987,449 S**
Brown (45) **Date of Patent:** **** May 30, 2023**

(54) **PIPEFITTING SQUARE**
(71) Applicant: **H&K FABRICATION LLC**, Conway, AR (US)
(72) Inventor: **Trenton Delane Brown**, Pleasant, LA (US)
(73) Assignee: **H & K FABRICATION LLC**, Conway, AR (US)
(**) Term: **15 Years**
(21) Appl. No.: **29/788,383**
(22) Filed: **May 12, 2021**
(51) **LOC (14) Cl.** **10-04**
(52) **U.S. Cl.**
USPC **D10/64; D10/65**
(58) **Field of Classification Search**
USPC **D10/64, 65**
CPC **B25H 7/005; G01B 3/04; G01B 3/566**
See application file for complete search history.

6,145,206 A 11/2000 Piccirillo
D445,700 S 7/2001 Mapston
D454,312 S 3/2002 Anderson et al.
D491,823 S 6/2004 Schwarm
D495,614 S 9/2004 Dickinson
D512,332 S 12/2005 Graham
D527,292 S 8/2006 Kuefler
7,350,517 B2 4/2008 Perez
D596,054 S 7/2009 Nieto
8,011,108 B2 9/2011 Upthegrove
D657,700 S 4/2012 Suess
D717,675 S 11/2014 Lin
D730,206 S 5/2015 Silberberg
D757,573 S 5/2016 Zinkosky, II
D760,569 S 7/2016 Zinkosky, II
D779,979 S 2/2017 Eisinger
D788,606 S 6/2017 Cummings
D837,072 S 1/2019 Vera

(Continued)

Primary Examiner — Antoine Duval Davis
(74) *Attorney, Agent, or Firm* — Bycer & Marion, PLC;
Michael B. Marion; Matthew L. Bycer

(57) **CLAIM**

The ornamental design for a pipefitting square, as shown and described.

(56) **References Cited**

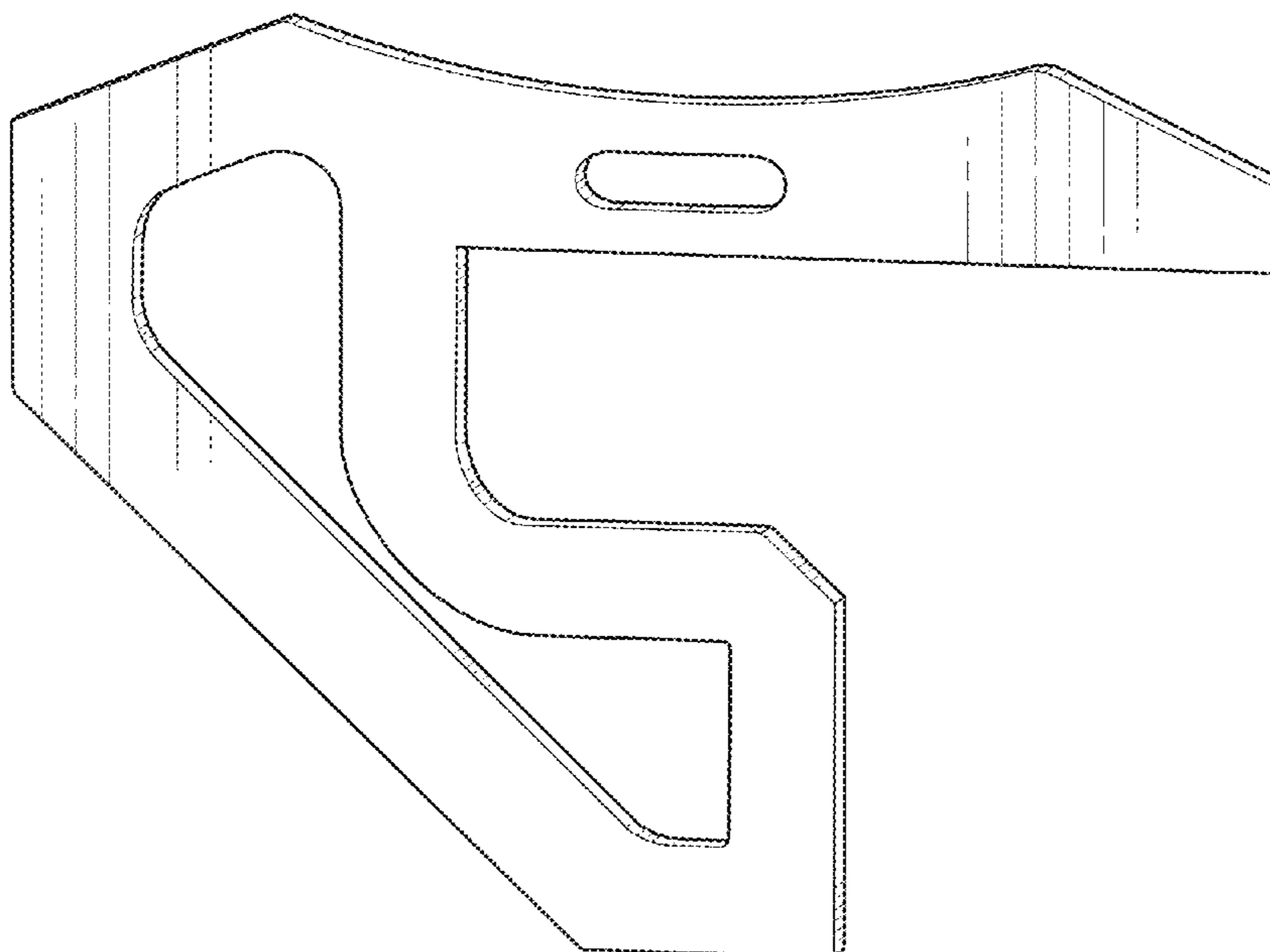
U.S. PATENT DOCUMENTS

2,461,783 A 2/1949 Stark
4,095,346 A * 6/1978 Cox B43L 7/027
33/476
D260,616 S 9/1981 Groves
4,502,232 A 3/1985 Broders
D289,741 S * 5/1987 Scoggins D10/65
D290,092 S 6/1987 Bies
D313,359 S 1/1991 Riley
4,999,922 A 3/1991 Loggins
5,077,910 A 1/1992 Smith
5,090,129 A 2/1992 Cunningham
D358,103 S 5/1995 Munkel
D398,252 S 9/1998 Hagen et al.
D405,706 S 2/1999 Baggett

DESCRIPTION

FIG. 1 is a perspective view of the pipefitting square showing my new design;
FIG. 2 is a front view thereof;
FIG. 3 is a back view thereof;
FIG. 4 is a left view thereof;
FIG. 5 is a right view thereof;
FIG. 6 is a top view thereof;
FIG. 7 is a bottom view thereof; and,
FIG. 8 is a view of the “pipe square” in use.
The broken lines in FIG. 8 showing the pipefitting square in use illustrates environment and forms no part of the claim.

1 Claim, 5 Drawing Sheets



(56)

References Cited

U.S. PATENT DOCUMENTS

D895,454 S *	9/2020	Ewing	B43L 7/027
			D10/65
D896,110 S	9/2020	Vera	
2008/0148587 A1*	6/2008	Goodrich	G01B 3/566
			33/529
2008/0301964 A1	12/2008	Jordan et al.	
2019/0078864 A1	3/2019	Cavenagh	

* cited by examiner

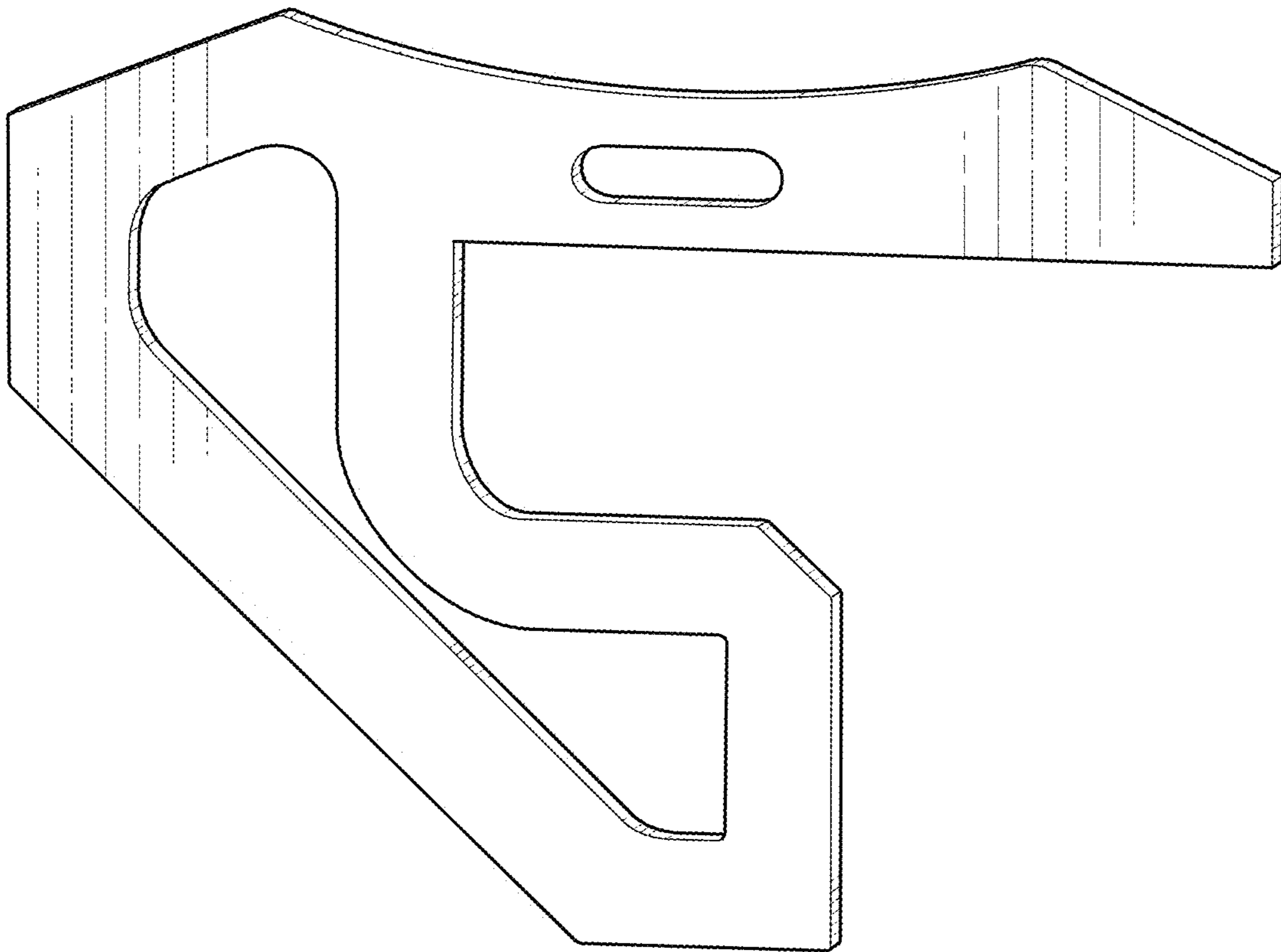


FIG. 1

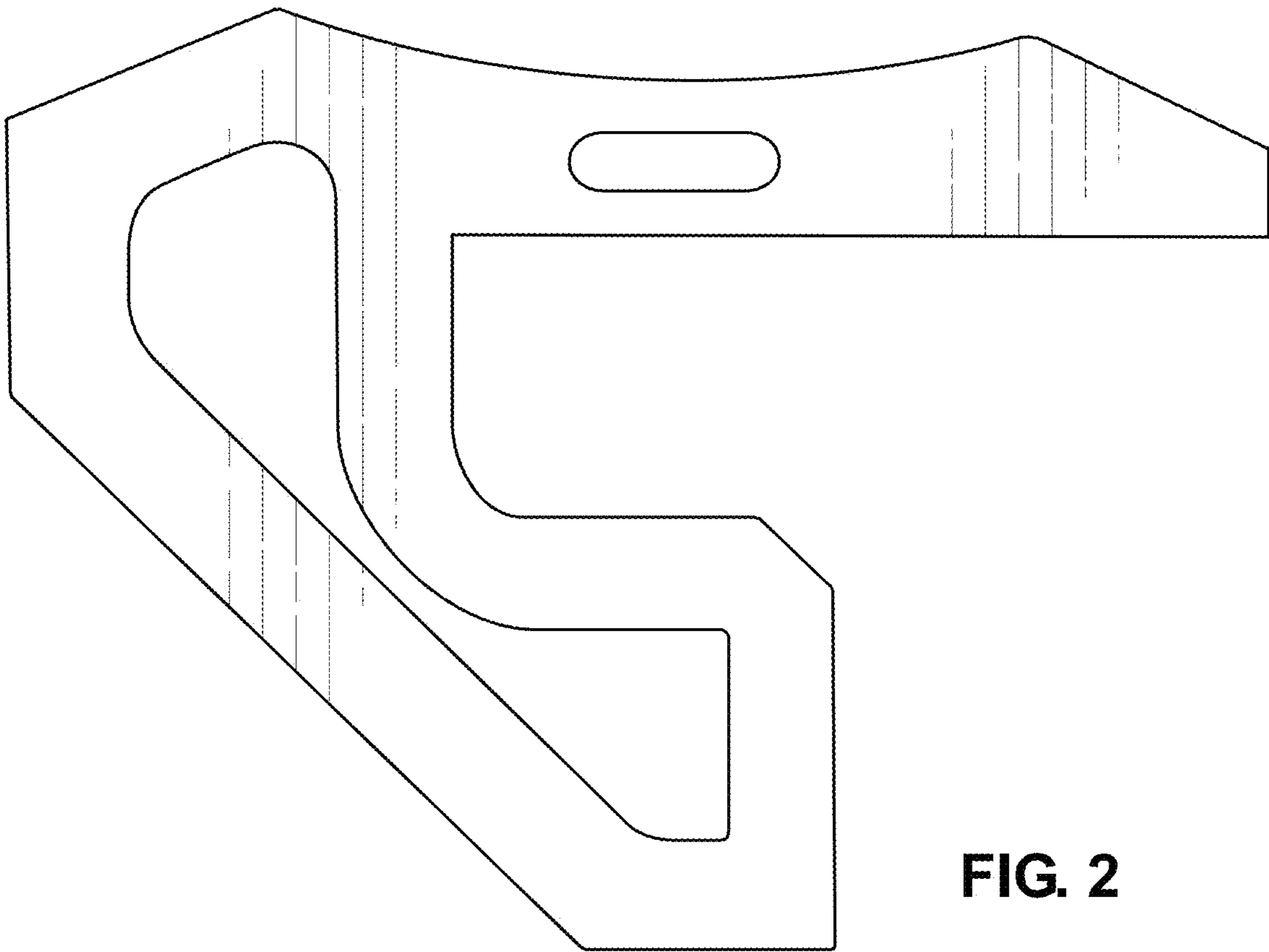


FIG. 2

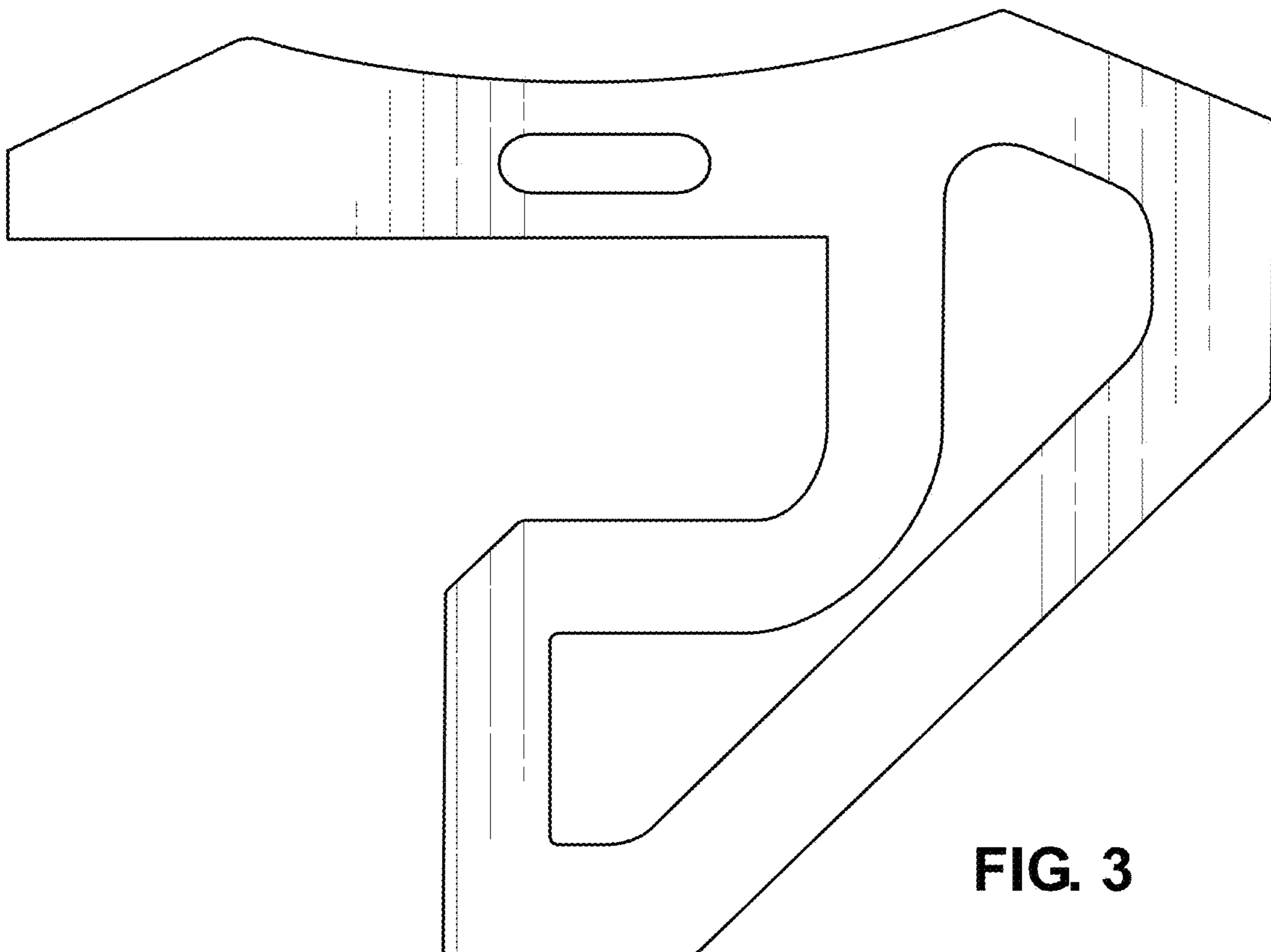


FIG. 3



FIG. 4

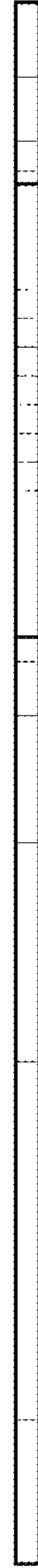


FIG. 5



FIG. 6



FIG. 7

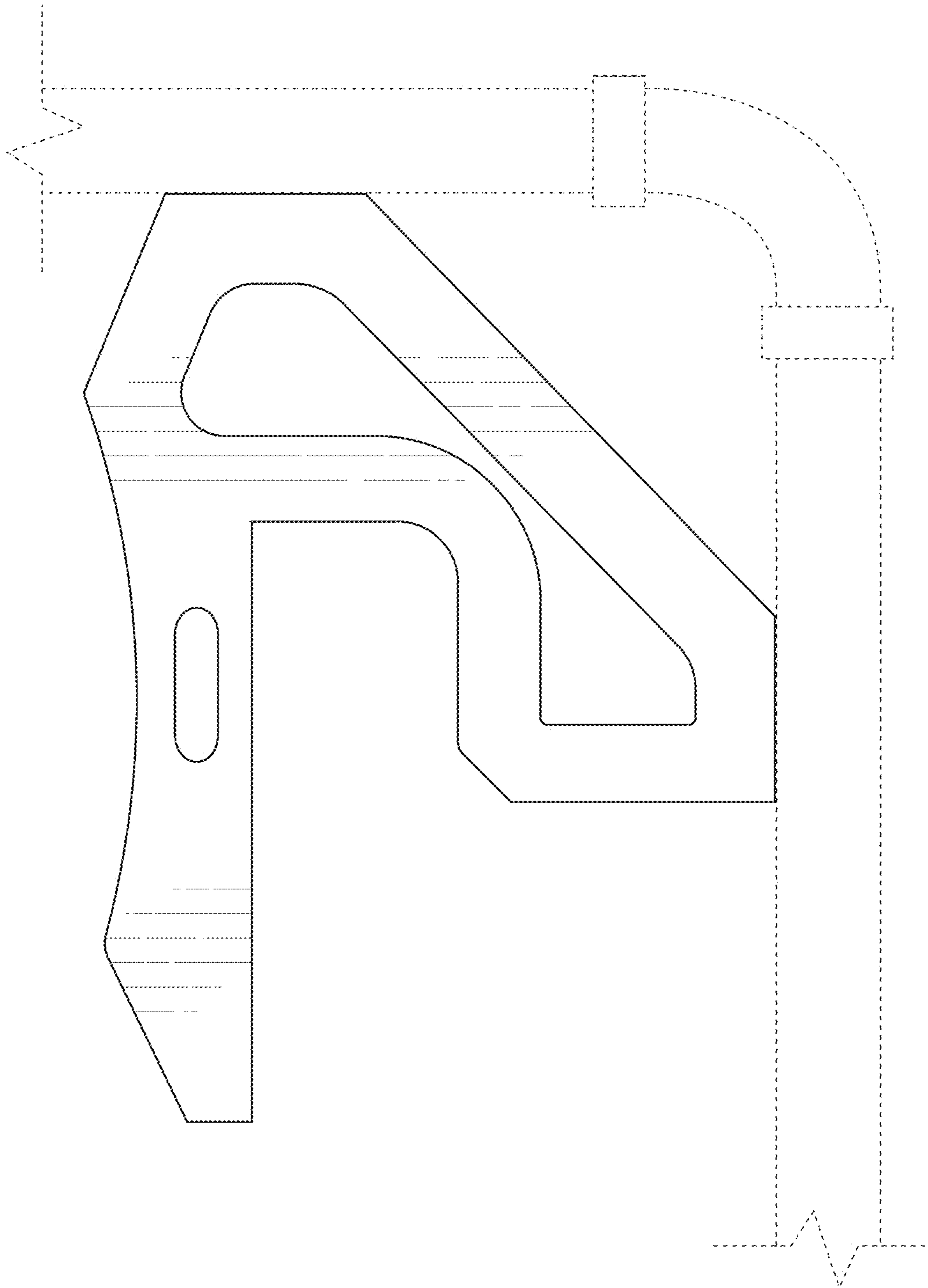


FIG. 8