



US00D987448S

(12) **United States Design Patent**
Xie et al.

(10) **Patent No.:** **US D987,448 S**

(45) **Date of Patent:** **** May 30, 2023**

(54) **BARBECUE THERMOMETER**

(71) Applicant: **SHENZHEN YINGBOWEIYE TECHNOLOGY CO., LTD.**, Shenzhen (CN)

(72) Inventors: **Jinghua Xie**, Shenzhen (CN); **Jingru Xie**, Shenzhen (CN)

(73) Assignee: **SHENZHEN YINGBOWEIYE TECHNOLOGY CO., LTD.**, Shenzhen (CN)

(**) Term: **15 Years**

(21) Appl. No.: **29/816,123**

(22) Filed: **Nov. 18, 2021**

(51) **LOC (14) Cl.** **10-04**

(52) **U.S. Cl.**
USPC **D10/57**

(58) **Field of Classification Search**
USPC D10/4, 24, 49, 50, 51, 52, 53, 57, 60
CPC G01K 1/024; G01K 2207/02
See application file for complete search history.

(56) **References Cited**

U.S. PATENT DOCUMENTS

10,067,004 B1 * 9/2018 Allen G01K 1/14
D840,846 S * 2/2019 Liu D10/57
D884,497 S * 5/2020 Tang D10/57
D899,277 S * 10/2020 Wang D10/57

D926,056 S * 7/2021 Lagerstedt D10/57
D929,247 S * 8/2021 Yu D10/57
11,231,330 B2 * 1/2022 Bhogal G01K 1/028
D947,043 S * 3/2022 Wu D10/57
D963,495 S * 9/2022 Xie D10/57
D964,188 S * 9/2022 Xie D10/57
D974,196 S * 1/2023 Zhao D10/57

* cited by examiner

Primary Examiner — George D. Kirschbaum

Assistant Examiner — Lillian Windham

(74) *Attorney, Agent, or Firm* — True Shepherd, LLC;
Andrew Cheng

(57) **CLAIM**

The ornamental design for barbecue thermometer, as shown and described.

DESCRIPTION

FIG. 1 is a front, right and top perspective view of barbecue thermometer, showing our design.

FIG. 2 is a front elevation view thereof.

FIG. 3 is a rear elevation view thereof.

FIG. 4 is a left side elevation view thereof.

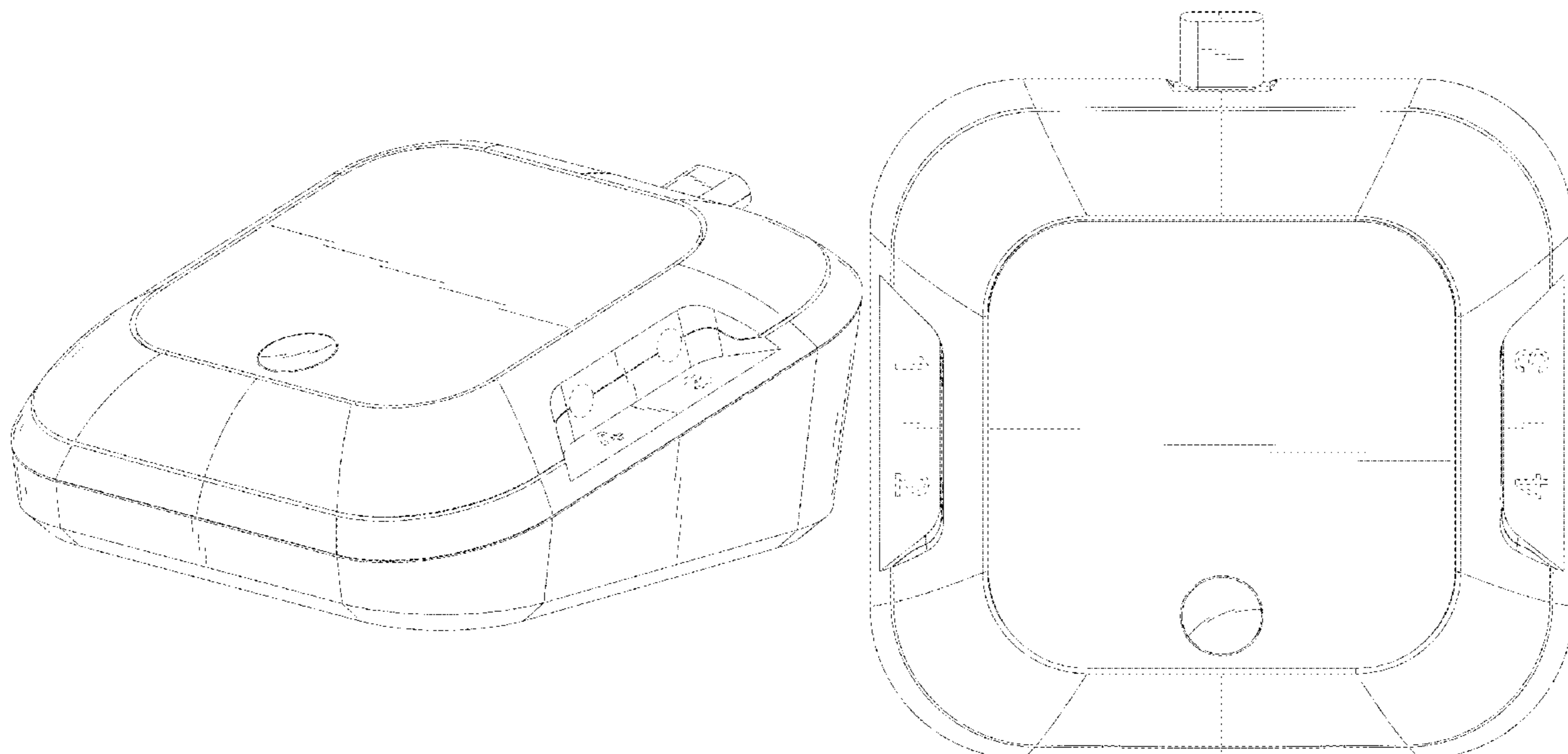
FIG. 5 is a right side elevation view thereof.

FIG. 6 is a top plan view thereof; and,

FIG. 7 is a bottom plan view thereof.

The broken lines shown in the drawings are included for the purpose of illustrating portions of the barbecue thermometer that form no part of the claimed design.

1 Claim, 7 Drawing Sheets



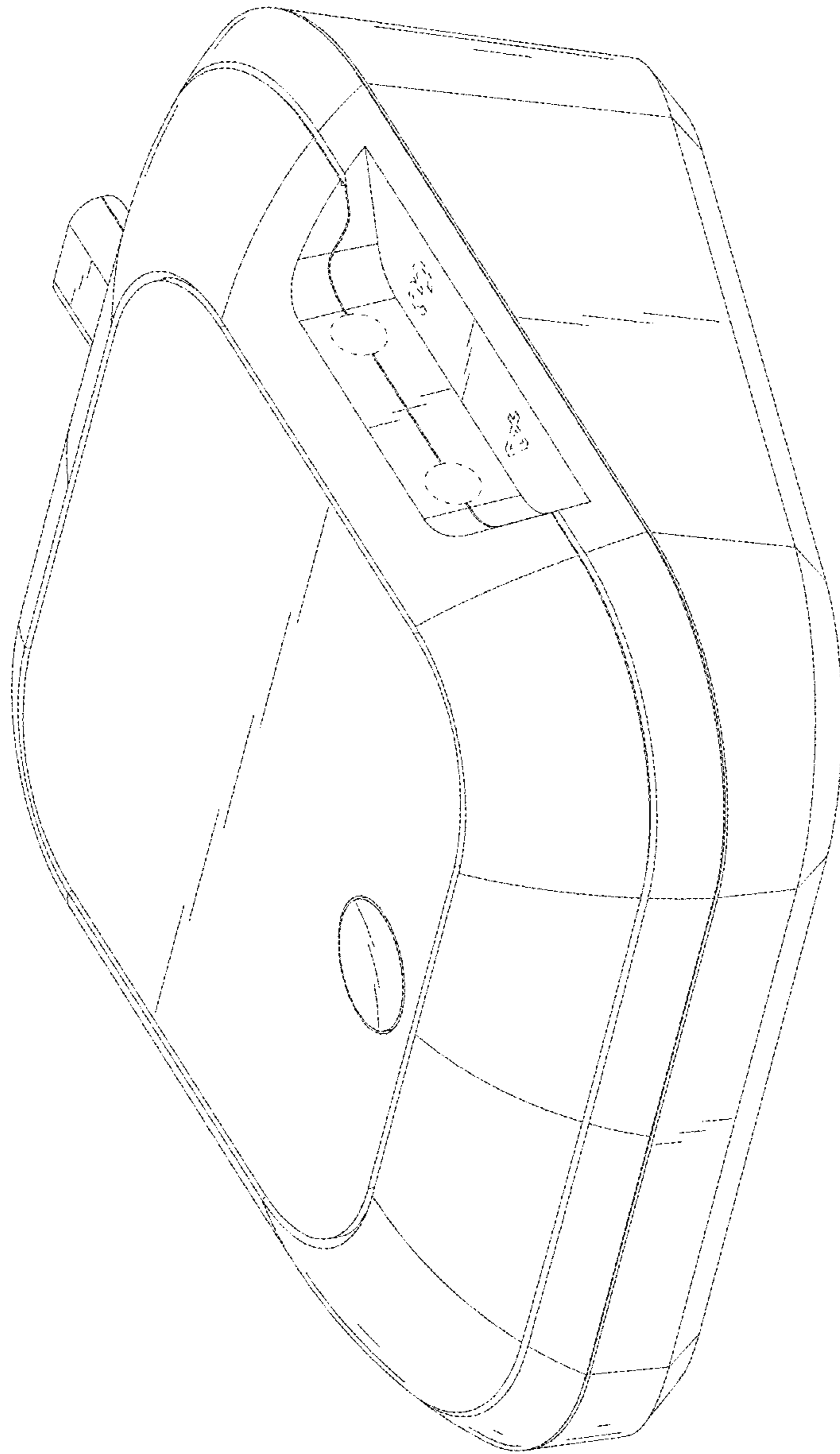


FIG. 1

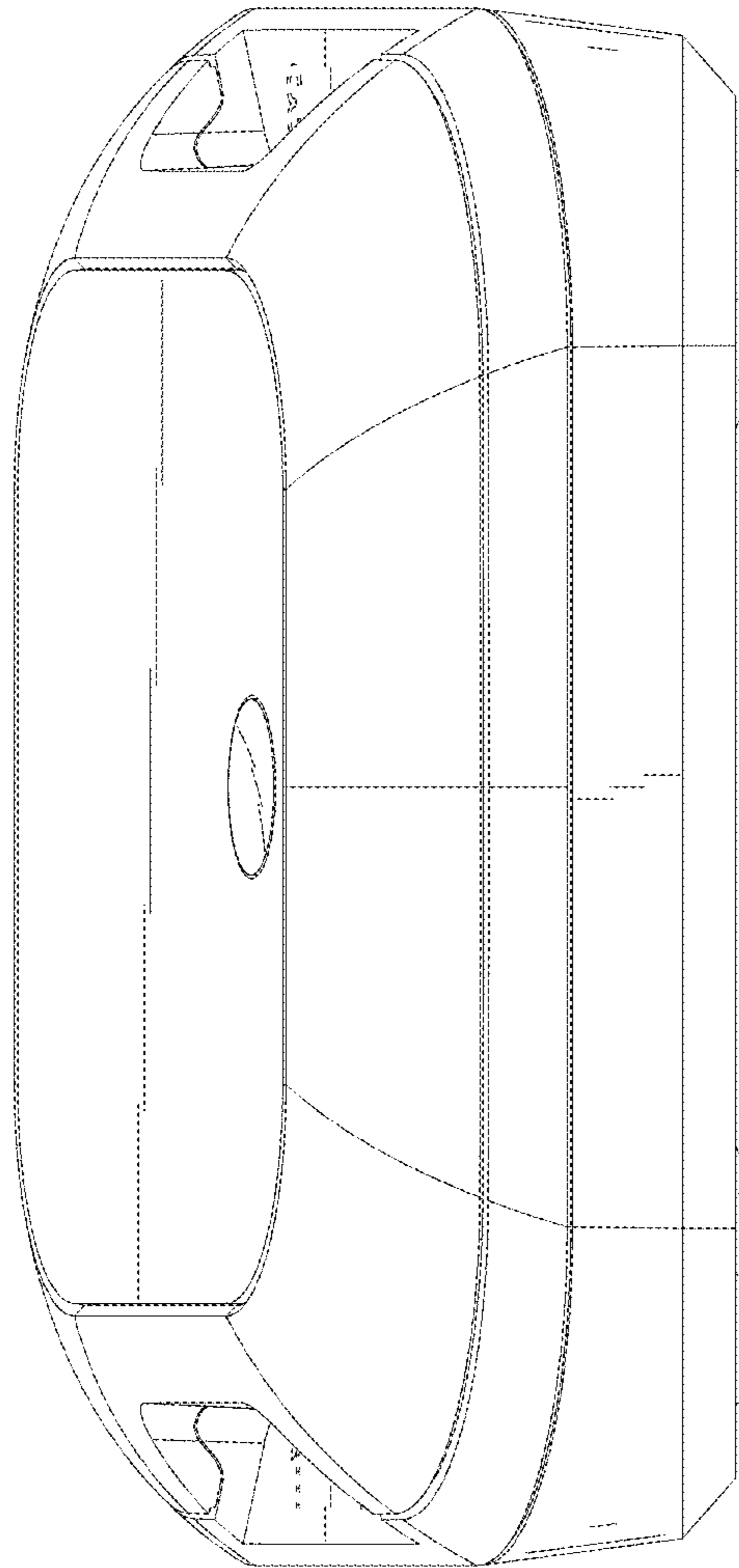


FIG.2

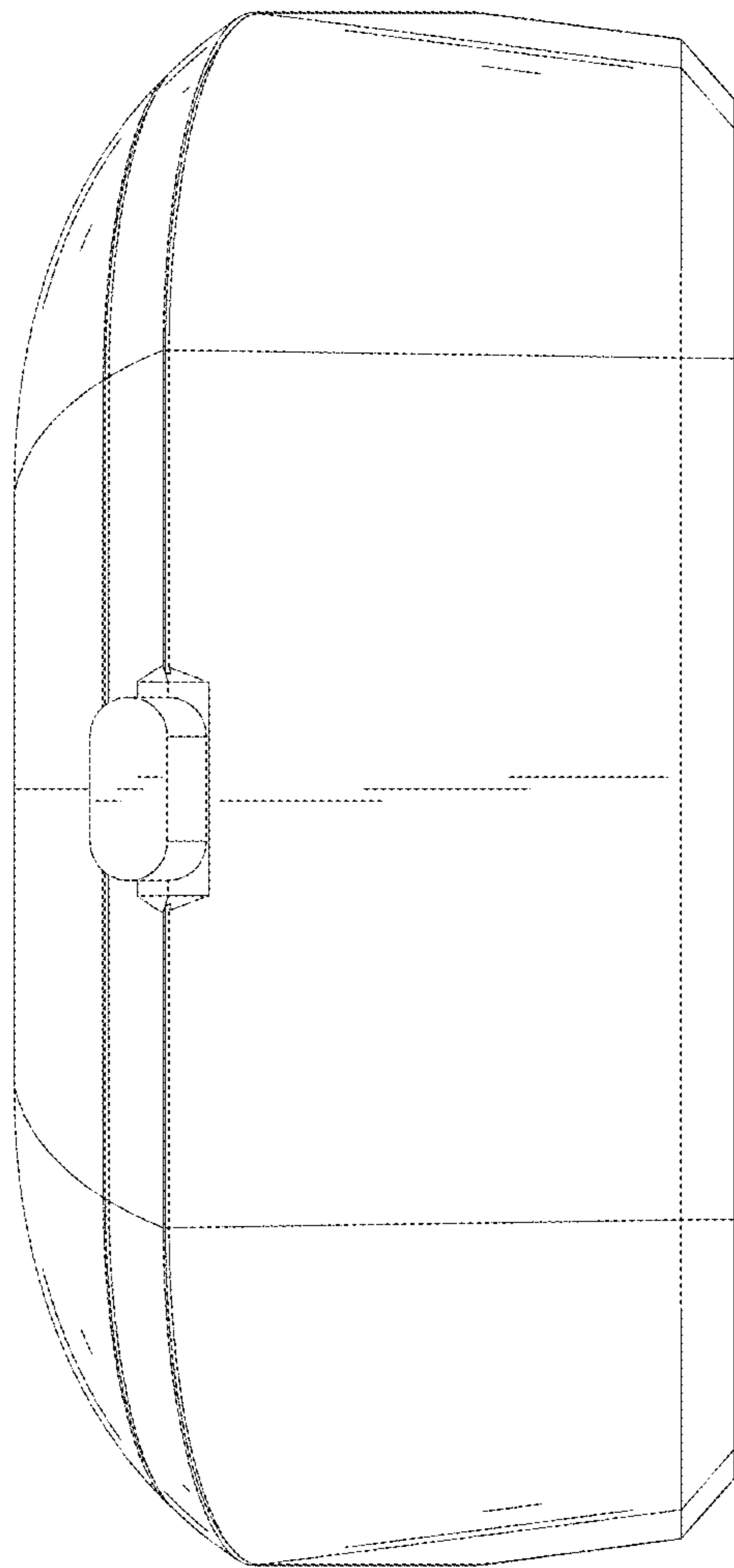


FIG. 3

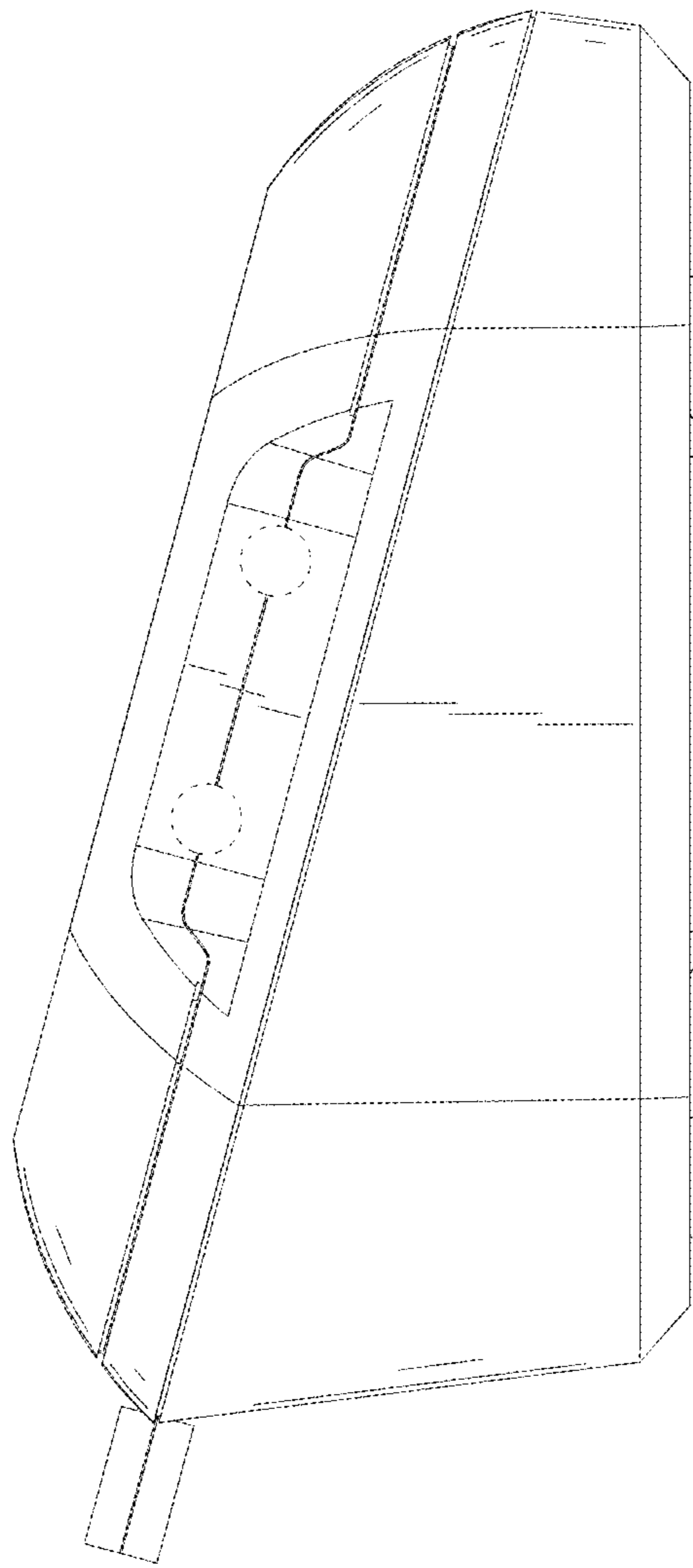


FIG.4

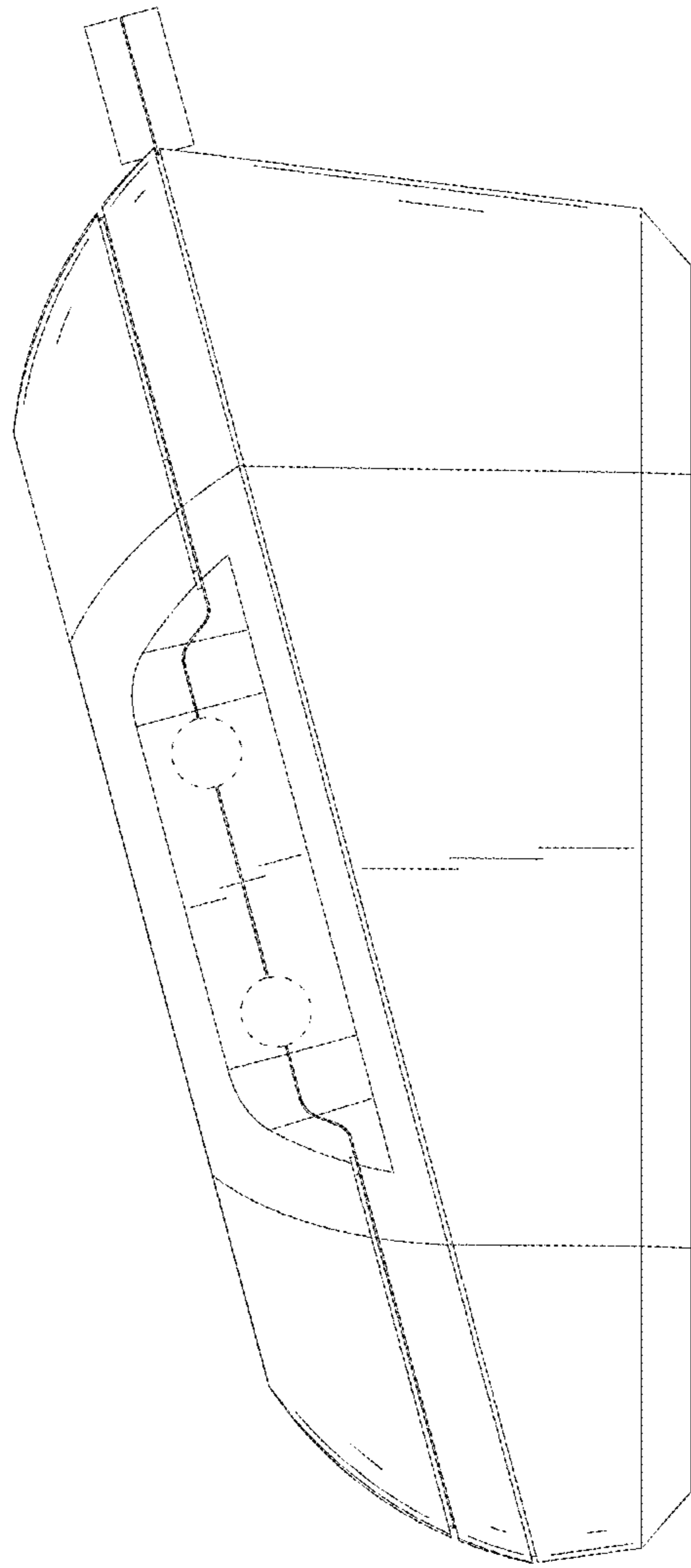


FIG. 5

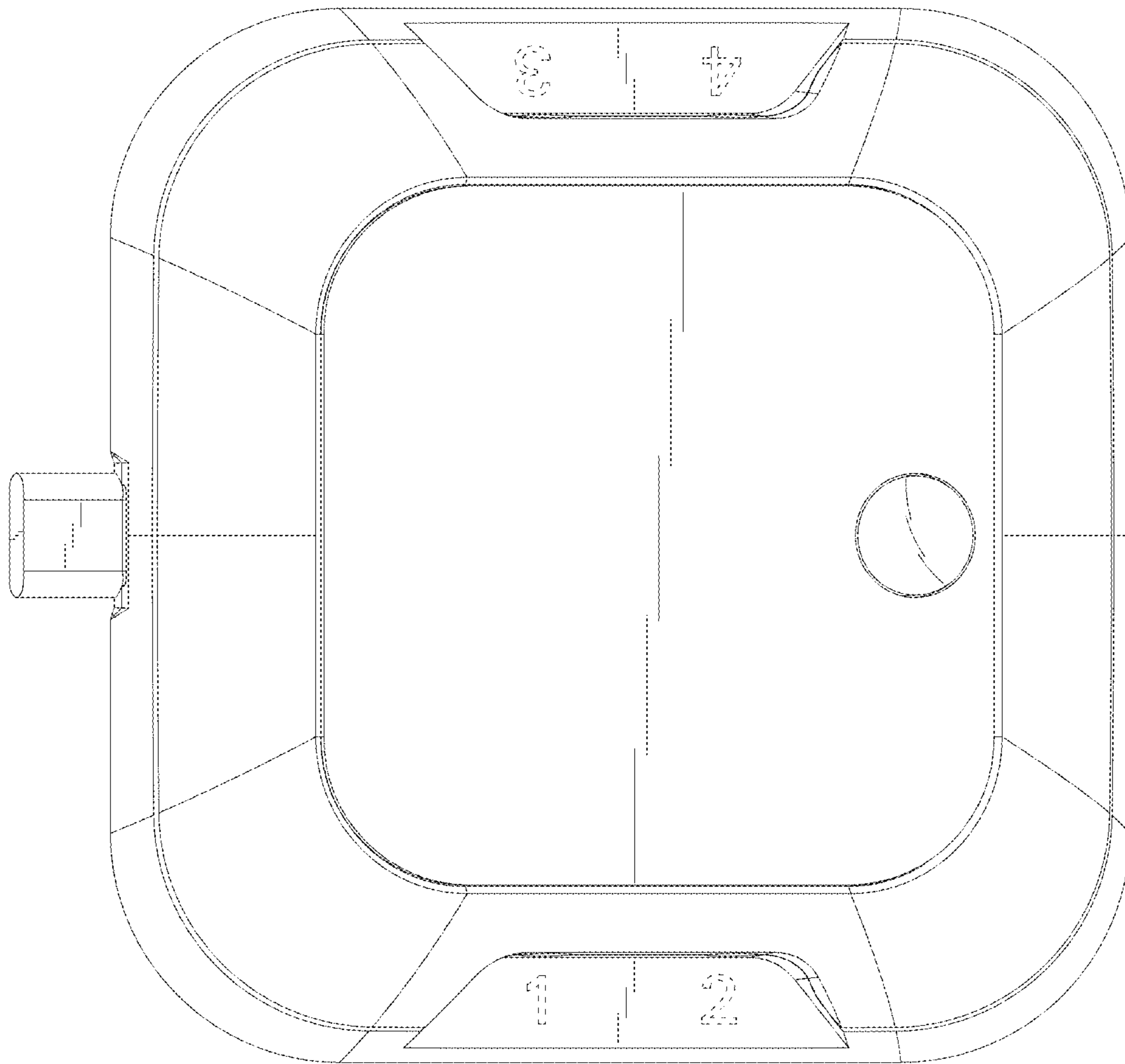


FIG. 6

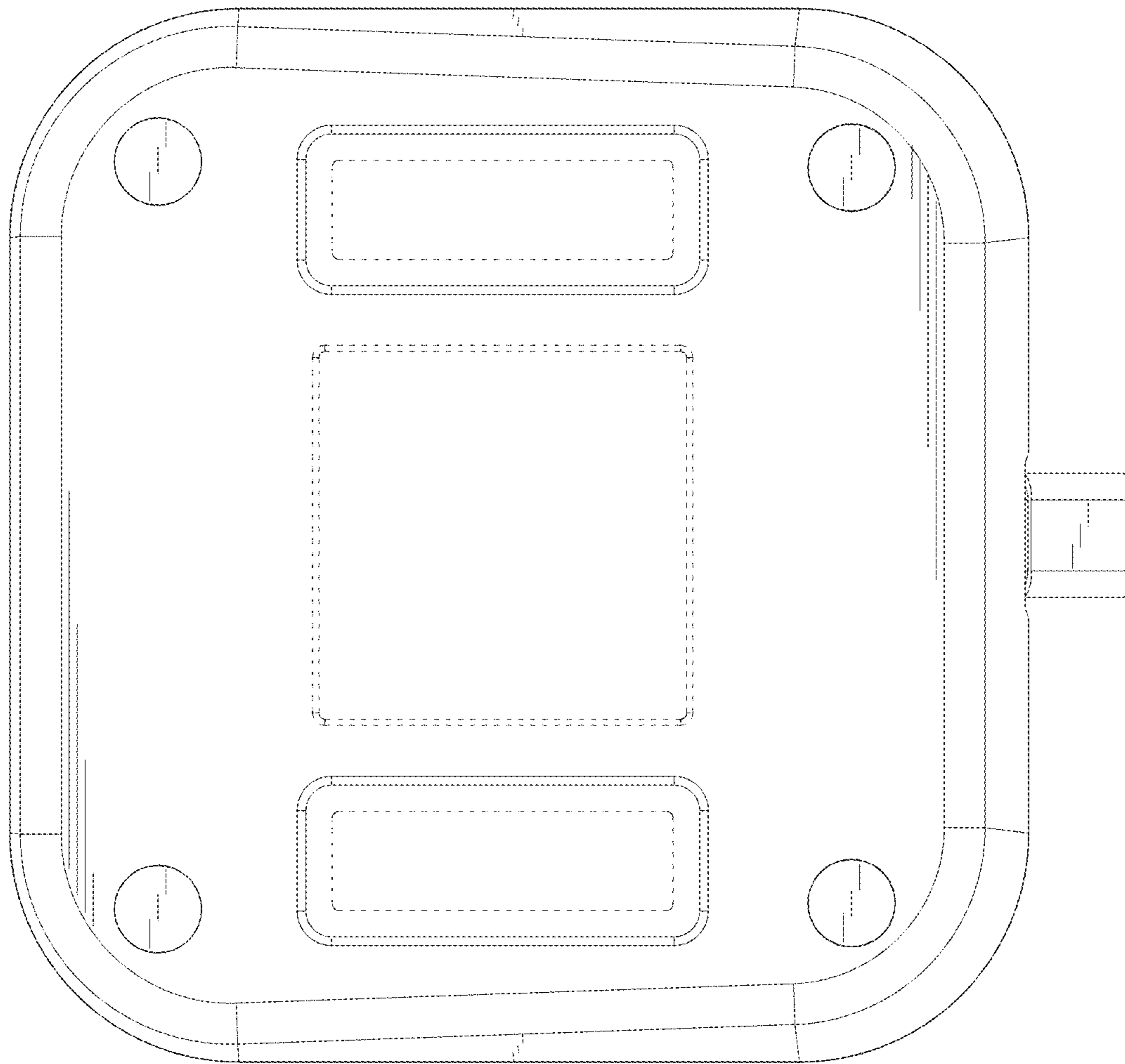


FIG. 7