



US00D987447S

(12) **United States Design Patent**  
**Friend**

(10) **Patent No.:** **US D987,447 S**

(45) **Date of Patent:** **\*\* May 30, 2023**

- (54) **THERMOSTAT**
- (71) Applicant: **Johnson Controls Tyco IP Holdings LLP**, Milwaukee, WI (US)
- (72) Inventor: **Richard David Friend**, Levittown, PA (US)
- (73) Assignee: **Johnson Controls Tyco IP Holdings LLP**, Milwaukee, WI (US)

- D842,712 S 3/2019 Swanson et al.
- D843,246 S 3/2019 Sinha et al.
- D843,247 S 3/2019 Ribbich et al.
- D852,067 S 6/2019 Ribbich et al.
- D852,650 S \* 7/2019 Zakharov ..... D10/49
- D875,569 S 2/2020 Swanson et al.
- D876,260 S 2/2020 Ribbich et al.
- D876,971 S 3/2020 Ribbich et al.
- D895,444 S \* 9/2020 DeBoer ..... D10/49

(Continued)

- (\*\*) Term: **15 Years**
- (21) Appl. No.: **29/828,689**
- (22) Filed: **Feb. 28, 2022**

**Related U.S. Application Data**

- (62) Division of application No. 29/715,446, filed on Dec. 2, 2019, now Pat. No. Des. 944,660.
- (51) **LOC (14) Cl.** ..... **10-04**
- (52) **U.S. Cl.**  
USPC ..... **D10/49**
- (58) **Field of Classification Search**  
USPC ..... D10/46, 49, 50; D13/162, 168  
CPC ..... F24F 11/30; F24F 11/523; F24F 11/65;  
F24F 2110/00; F24F 2110/10; G05D  
23/1902  
See application file for complete search history.

(56) **References Cited**

**U.S. PATENT DOCUMENTS**

- 6,513,723 B1 \* 2/2003 Mueller ..... F23N 5/022  
236/51
- D595,160 S \* 6/2009 Fisher ..... D10/50
- D734,180 S 7/2015 Benichou et al.
- D770,313 S \* 11/2016 Turcotte ..... D10/49
- D791,093 S \* 7/2017 Clegg ..... D14/125
- D814,321 S 4/2018 Abdala et al.
- 9,964,328 B2 5/2018 Ribbich et al.
- D821,897 S 7/2018 Sinha et al.

**OTHER PUBLICATIONS**

Johnson Controls Launches Feature-packed Smart Thermostat for \$99 \_ Johnson Controls <https://www.johnsoncontrols.com/media-center/news/press-releases/2020/06/18/johnson-controls-launches-feature-packed-smart-thermostat> Jun. 17, 2020 (Year: 2020).\*

(Continued)

*Primary Examiner* — Leanne Was-Englehart

(74) *Attorney, Agent, or Firm* — Foley & Lardner LLP

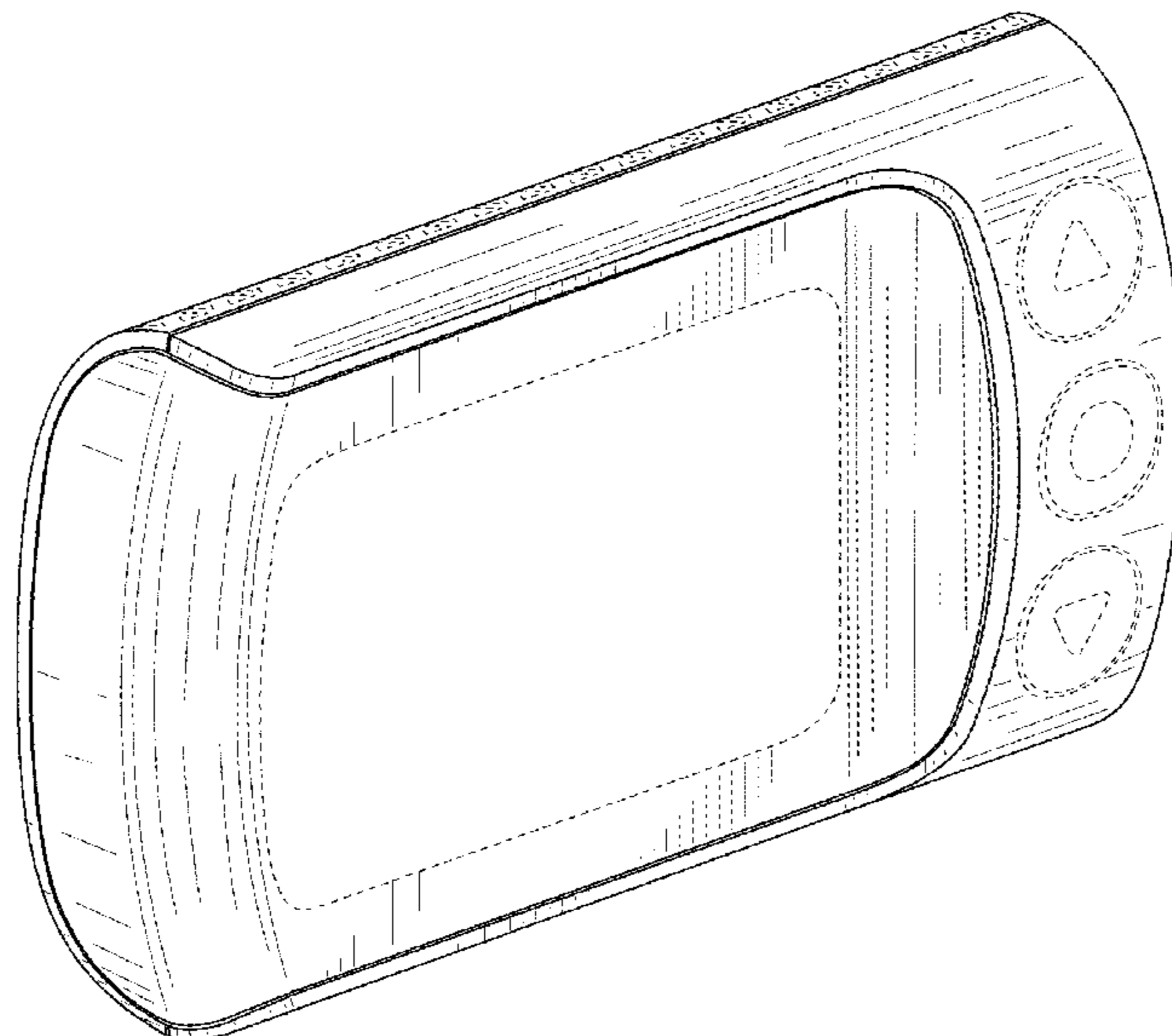
(57) **CLAIM**

I claim the ornamental design for a thermostat, as shown and described.

**DESCRIPTION**

FIG. 1 is a top left perspective view of a thermostat according to the claimed design;  
 FIG. 2 is a top right perspective view of the claimed design of FIG. 1;  
 FIG. 3 is a front view of the claimed design of FIG. 1;  
 FIG. 4 is a rear view of the claimed design of FIG. 1;  
 FIG. 5 is a top view of the claimed design of FIG. 1;  
 FIG. 6 is a bottom view of the claimed design of FIG. 1;  
 FIG. 7 is a right side view of the claimed design of FIG. 1;  
 and,  
 FIG. 8 is a left side view of the claimed design of FIG. 1.  
 The broken lines depict portions of the thermostat that form no part of the claimed design.

**1 Claim, 6 Drawing Sheets**



(56)

**References Cited**

U.S. PATENT DOCUMENTS

D944,660 S \* 3/2022 Friend ..... D10/49  
2006/0192021 A1\* 8/2006 Schultz ..... G05D 23/1904  
236/1 C  
2006/0192022 A1\* 8/2006 Barton ..... G05D 23/1902  
236/94  
2013/0310985 A1\* 11/2013 Tu ..... G06F 3/0445  
345/174  
2021/0164679 A1\* 6/2021 Friend ..... F24F 11/52

OTHER PUBLICATIONS

U.S. Appl. No. 29/572,236, filed Jul. 26, 2016, Johnson Controls  
Technology Company.  
U.S. Appl. No. 29/610,694, filed Jul. 14, 2017, Johnson Controls  
Technology Company.  
U.S. Appl. No. 29/679,298, filed Feb. 4, 2019, Johnson Controls  
Technology Company.  
U.S. Appl. No. 29/703,968, filed Aug. 30, 2019, Johnson Controls  
Technology Company.

\* cited by examiner

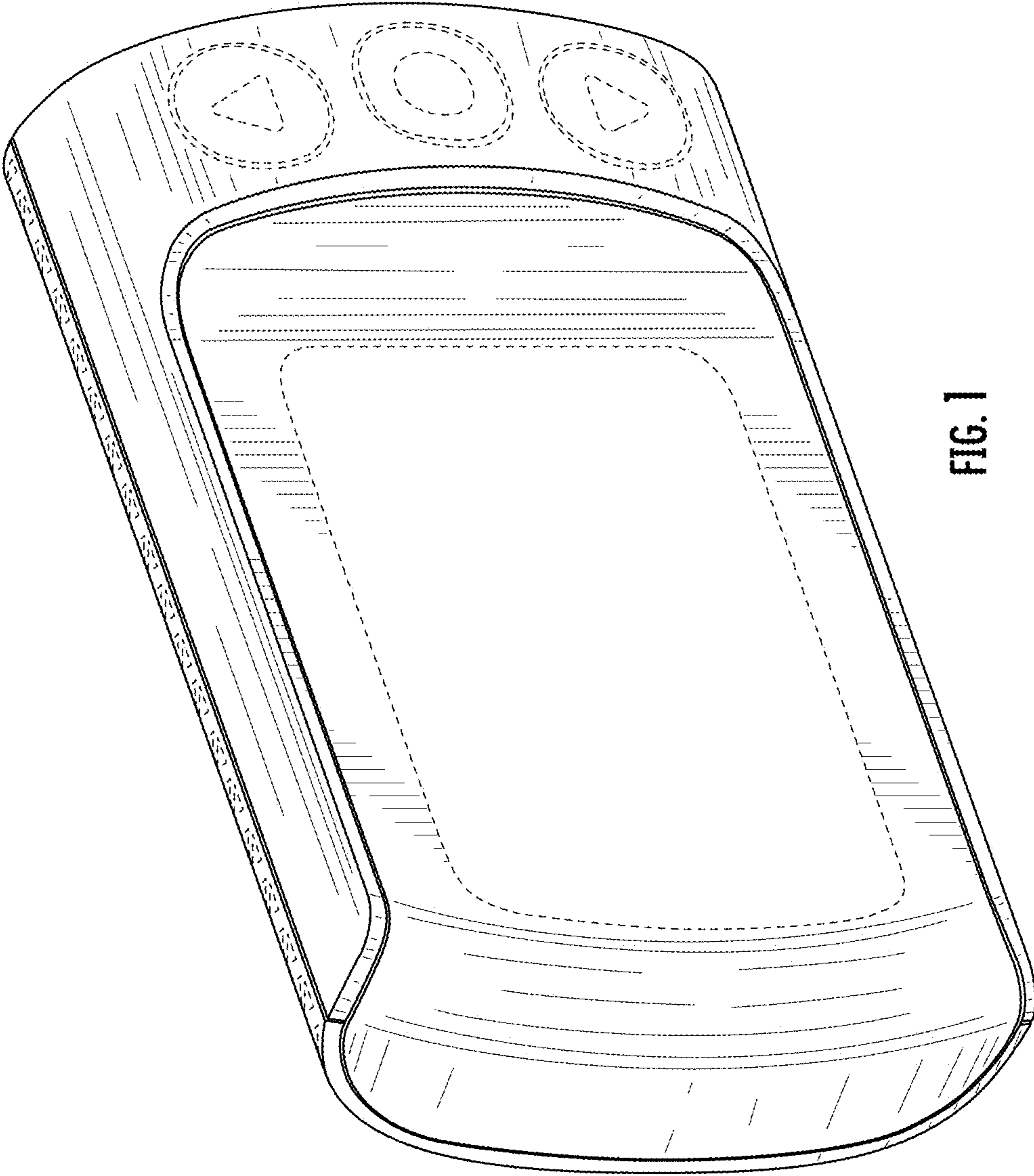


FIG. 1

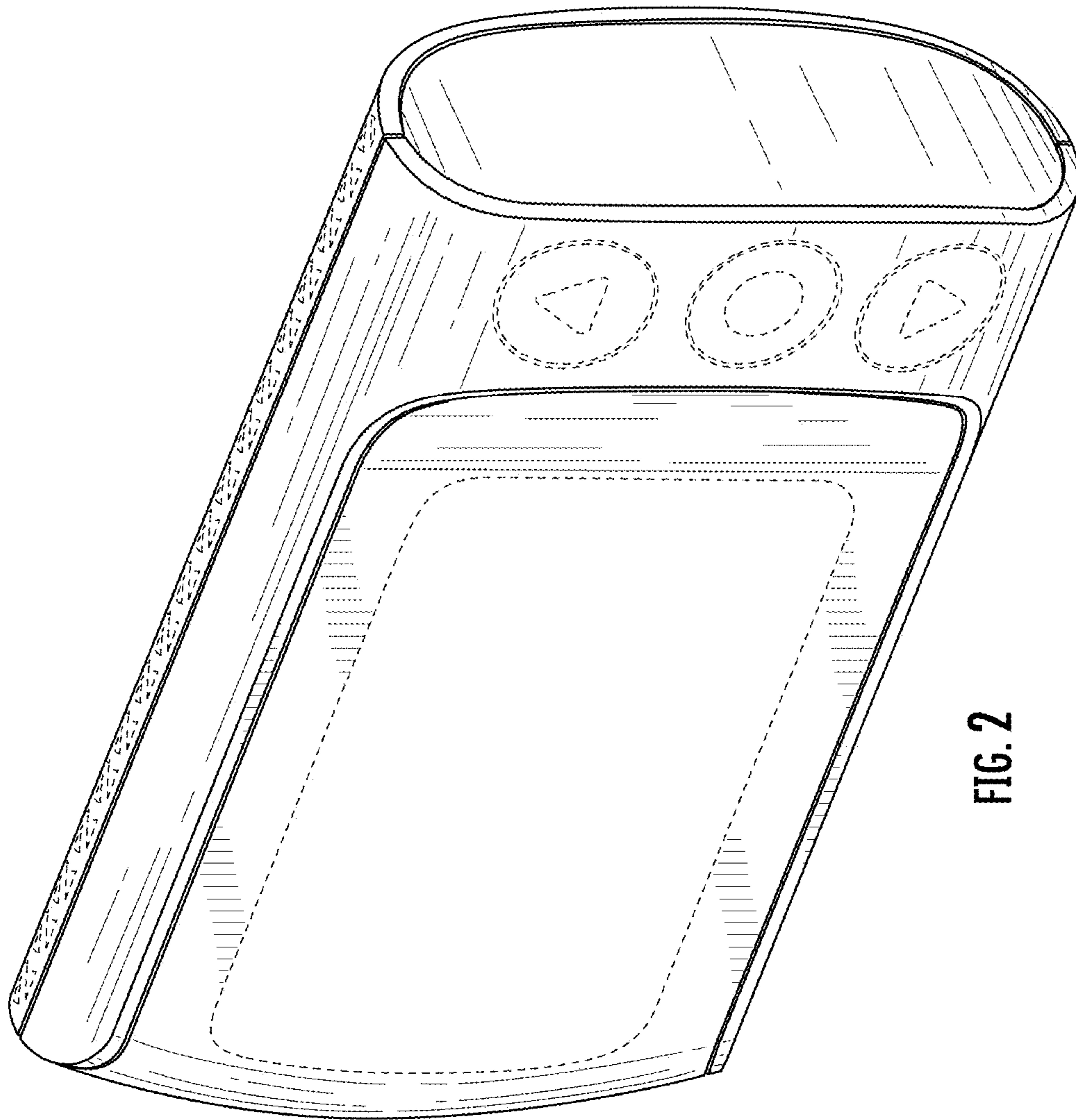


FIG. 2

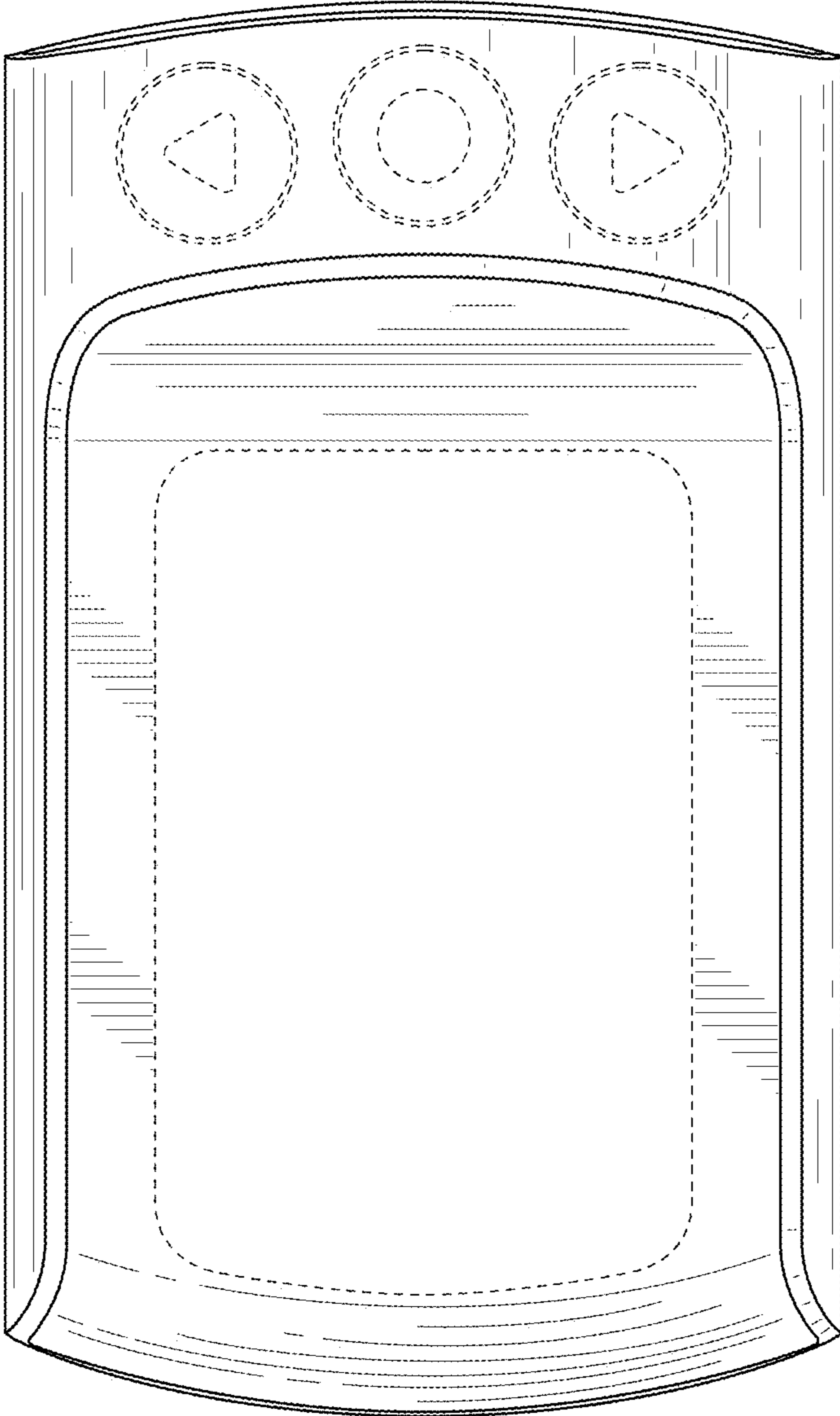


FIG. 3

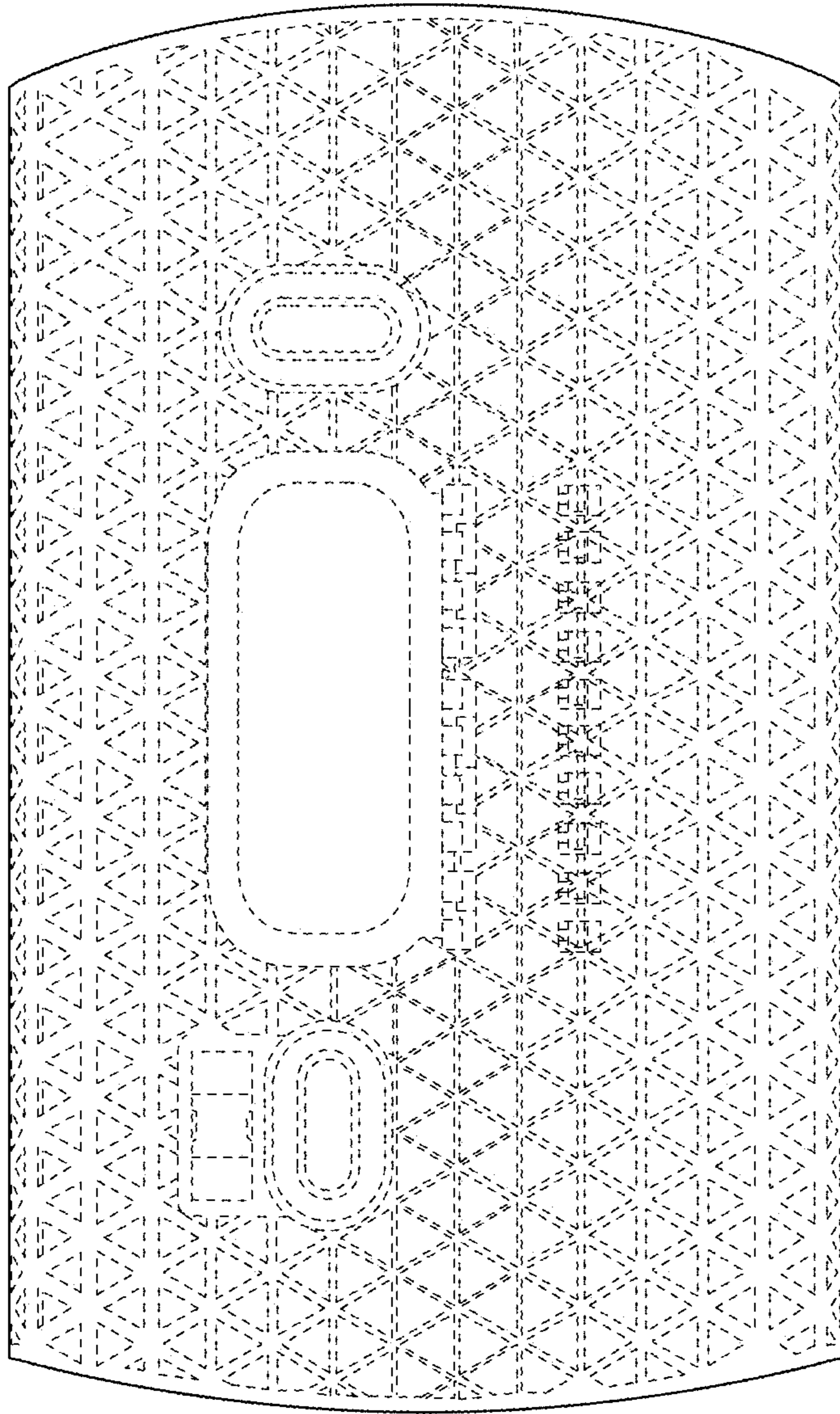


FIG. 4

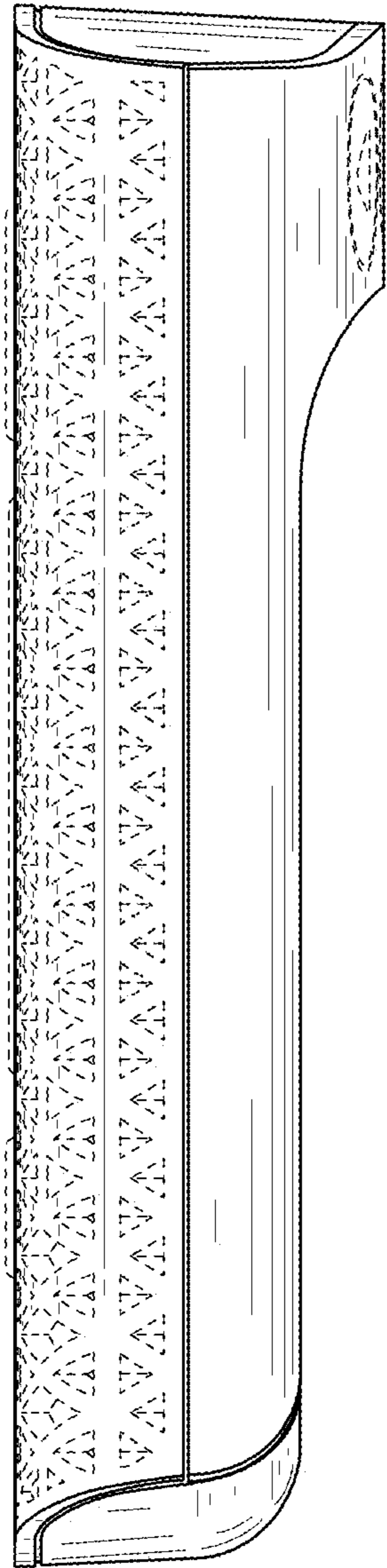


FIG. 5

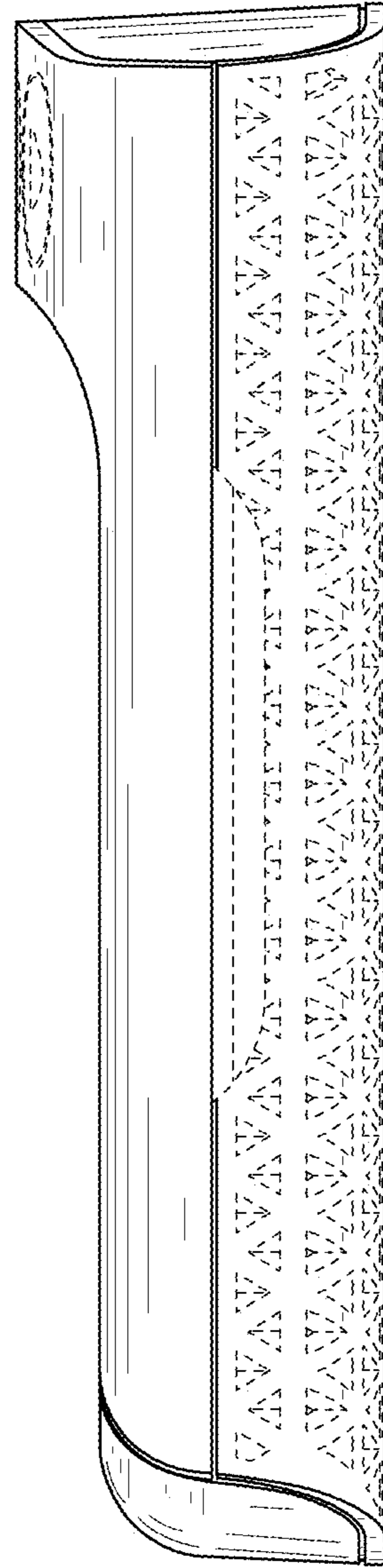


FIG. 6

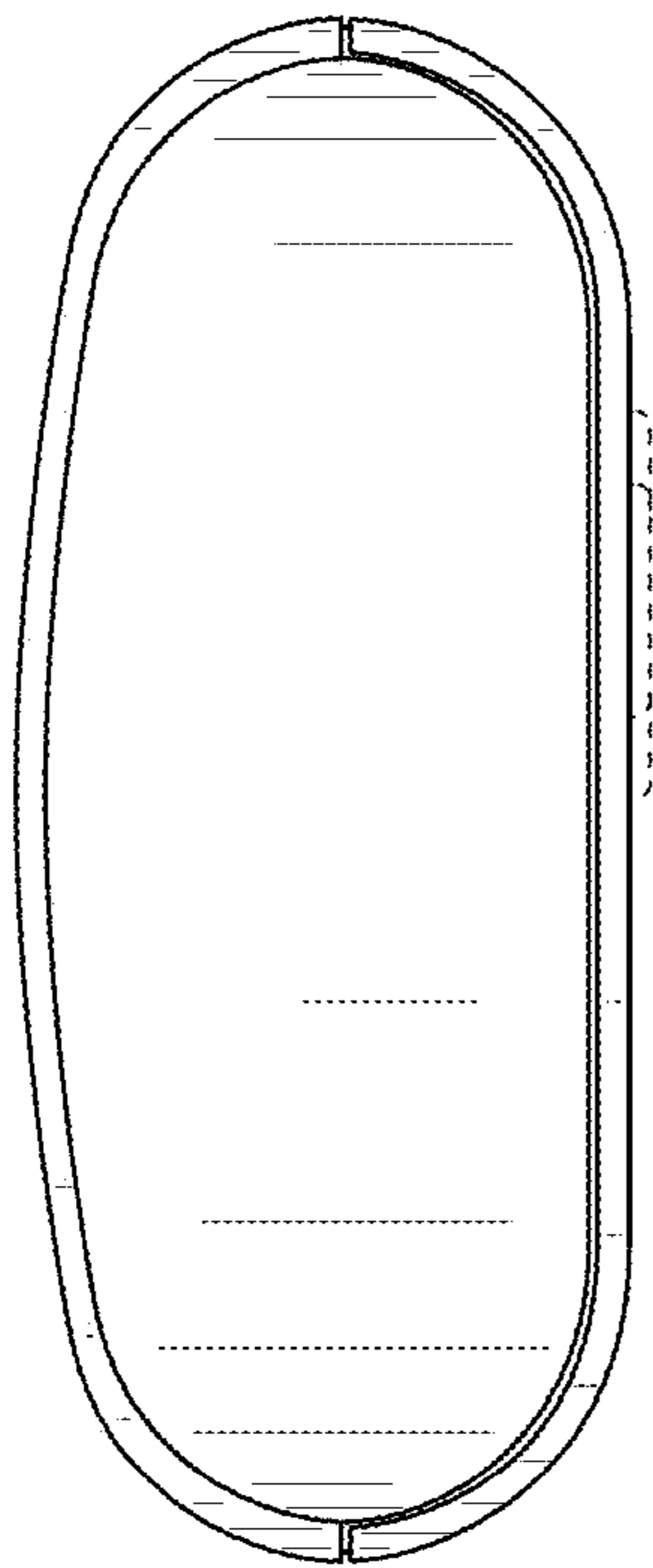


FIG. 7

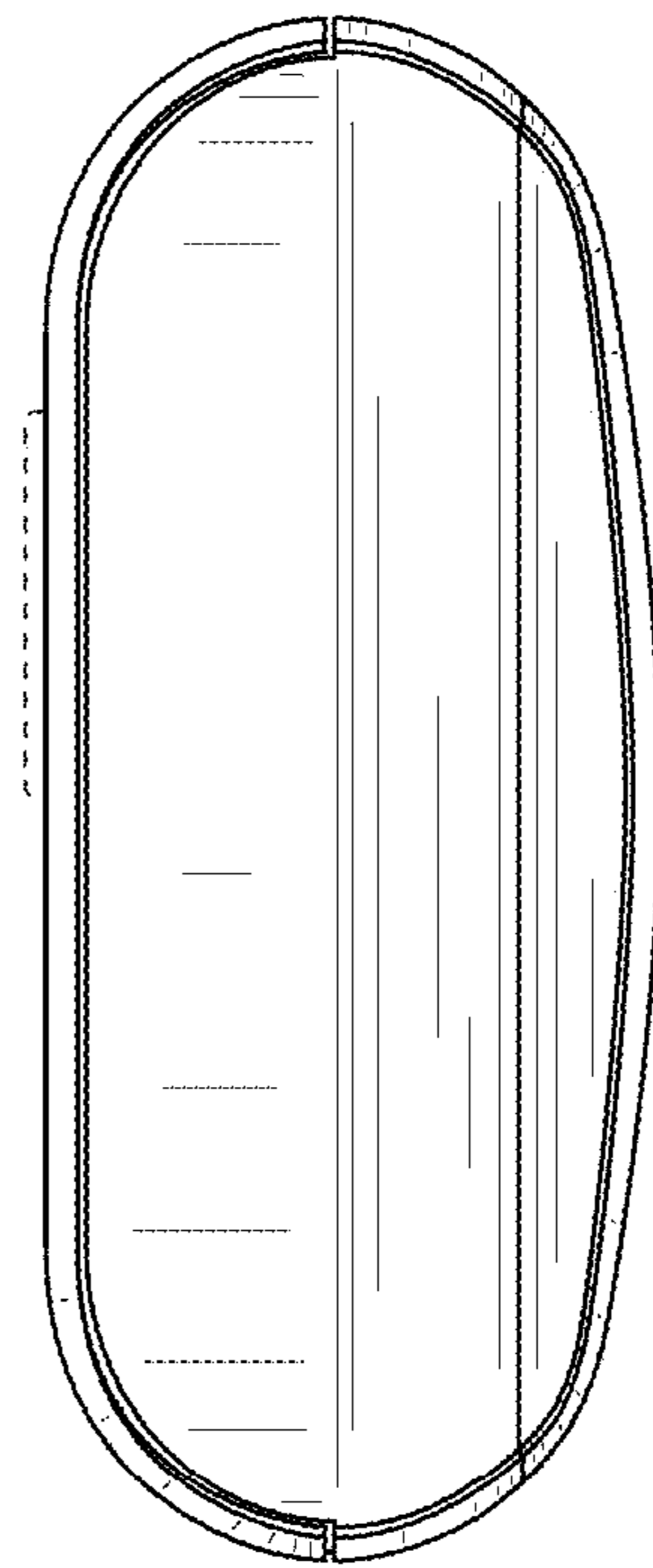


FIG. 8