



US00D987445S

(12) **United States Design Patent** (10) **Patent No.:** **US D987,445 S**
Tseng (45) **Date of Patent:** **** May 30, 2023**

(54) **METAL DETECTING MACHINE**
(71) Applicant: **Yu Sheng Technology Co., Ltd.,**
Taichung (TW)
(72) Inventor: **Hsin-Ming Tseng,** Taichung (TW)
(73) Assignee: **Yu Sheng Technology Co., Ltd.,**
Taichung (TW)
(**) Term: **15 Years**
(21) Appl. No.: **29/753,660**
(22) Filed: **Oct. 1, 2020**
(51) **LOC (14) Cl.** **10-04**
(52) **U.S. Cl.**
USPC **D10/47**
(58) **Field of Classification Search**
USPC D10/46, 47; D34/29
CPC G01V 3/081; G01V 3/36; G01V 15/00;
G06K 19/0723; G06K 7/10366; G08B
21/18
See application file for complete search history.

2014/0340099 A1* 11/2014 Butterworth G01N 27/023
324/654
2016/0291098 A1* 10/2016 Ellison G01R 33/0052
2022/0107437 A1* 4/2022 Tseng G06K 7/10366

FOREIGN PATENT DOCUMENTS

CN 3340447 * 12/2003
CN 3395877 * 10/2004
CN 3406705 * 11/2004
CN 201730085599 * 12/2017
CN 201930494889.7 * 3/2020

* cited by examiner

Primary Examiner — George D. Kirschbaum
Assistant Examiner — Lillian Windham
(74) *Attorney, Agent, or Firm* — Burriss Law, PLLC

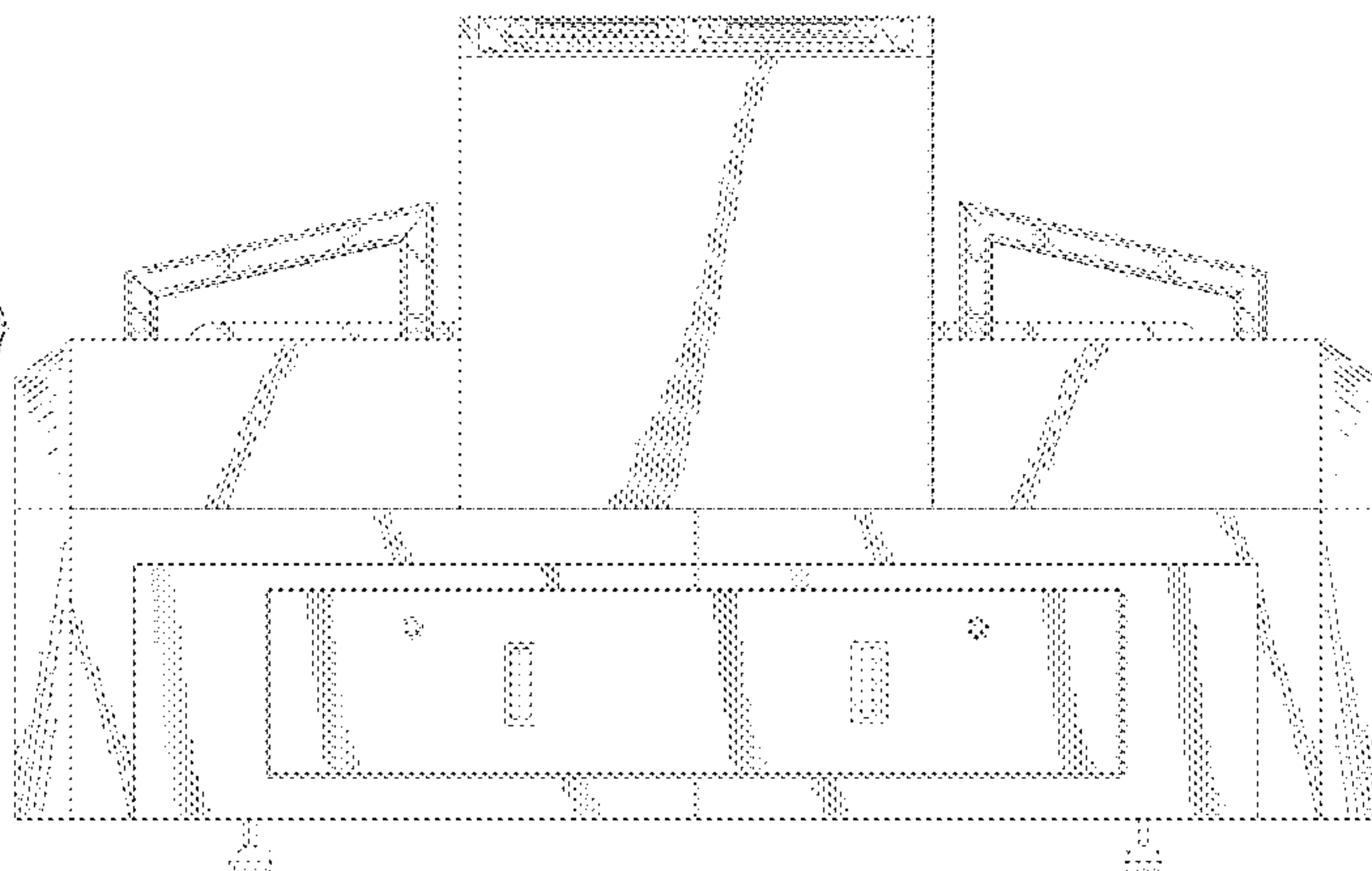
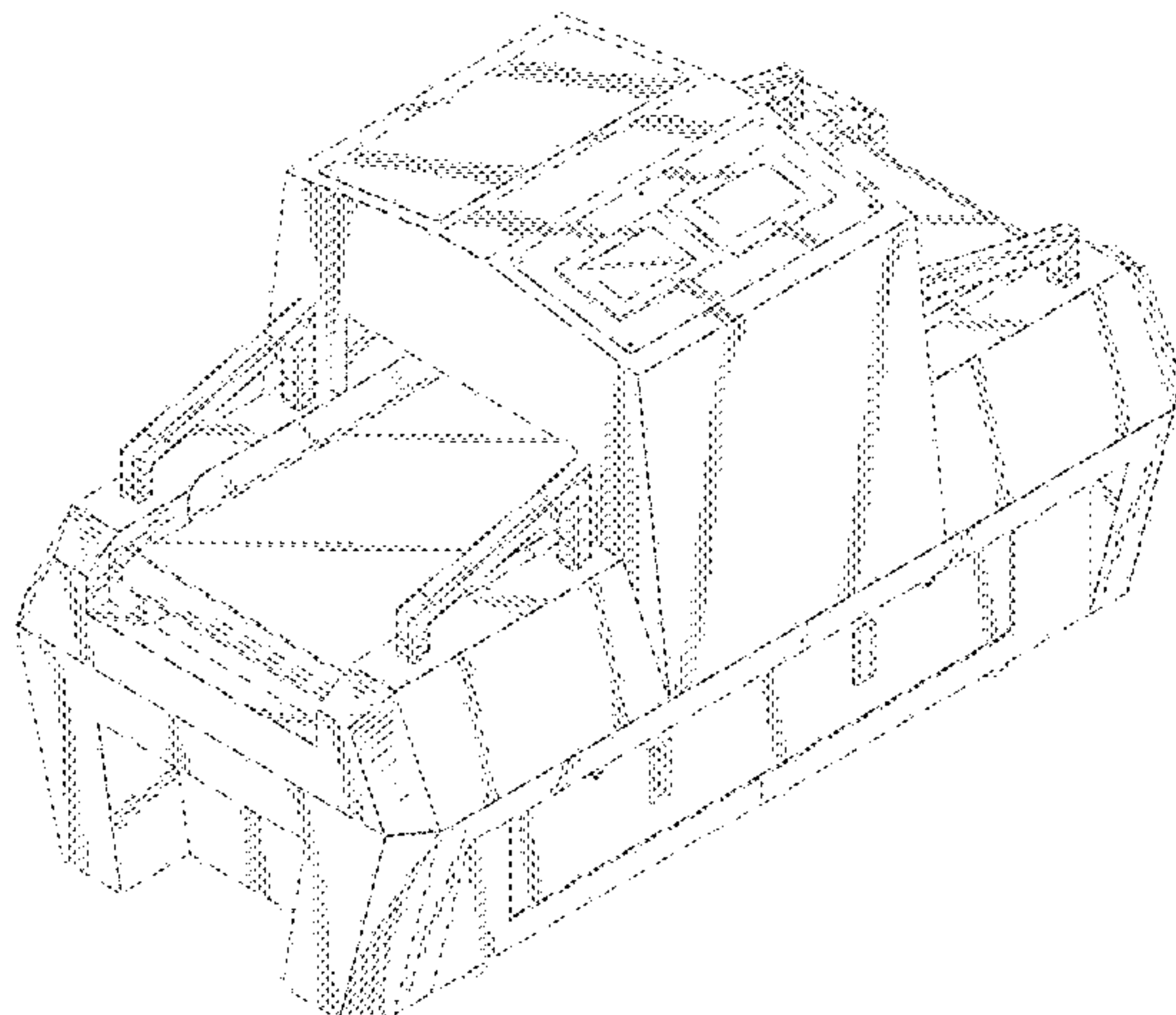
(57) **CLAIM**

The ornamental design for a metal detecting machine, as shown and described.

DESCRIPTION

FIG. 1 is a perspective view of a metal detecting machine showing my new design;
FIG. 2 is a front elevational view thereof;
FIG. 3 is a rear elevational view thereof;
FIG. 4 is a left side elevational view thereof;
FIG. 5 is a right side elevational view thereof; and,
FIG. 6 is a top plan view thereof.
The broken lines depict portions of the metal detecting machine in which the design is embodied that form no part of the claimed design.

1 Claim, 6 Drawing Sheets



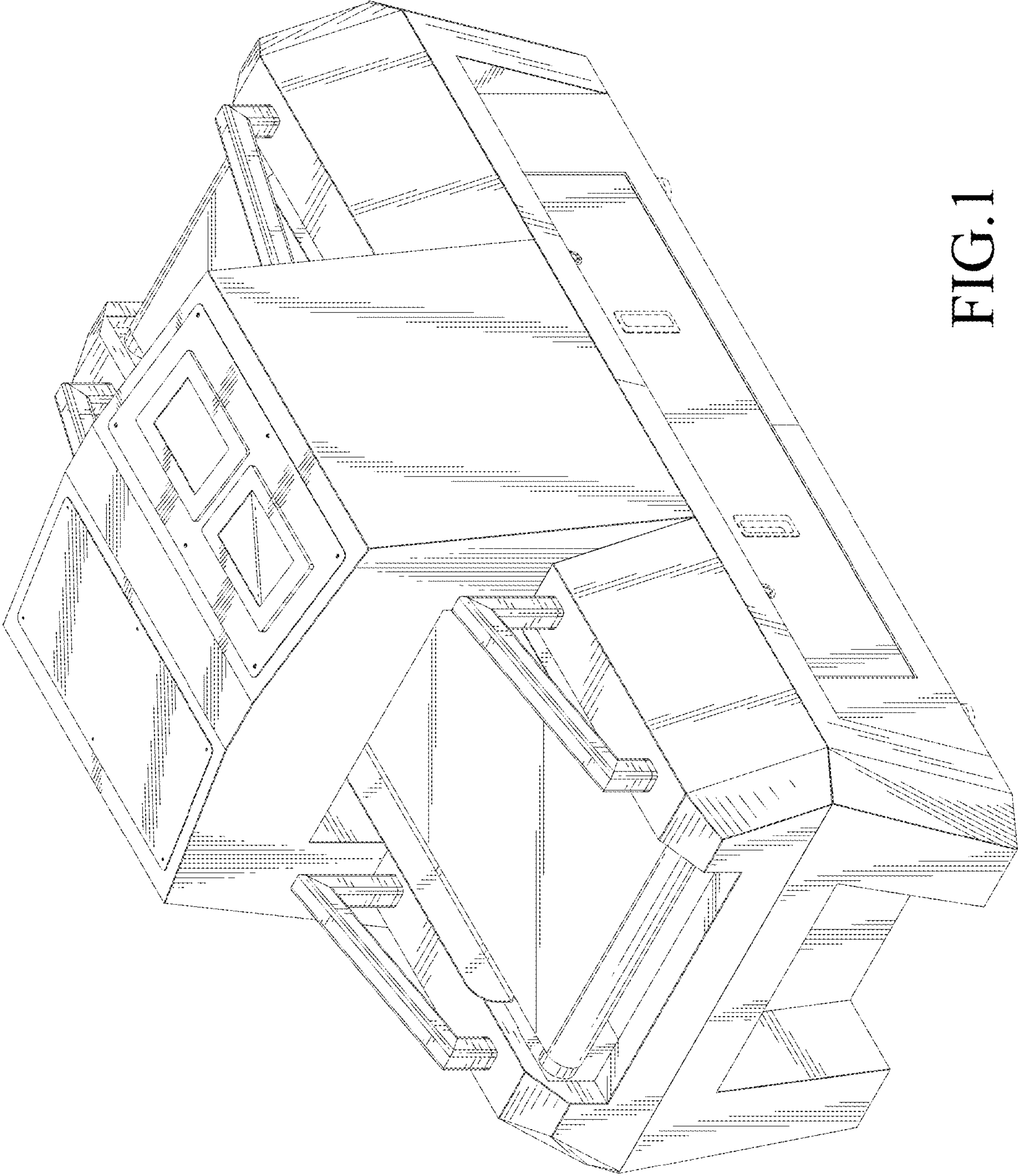


FIG. 1

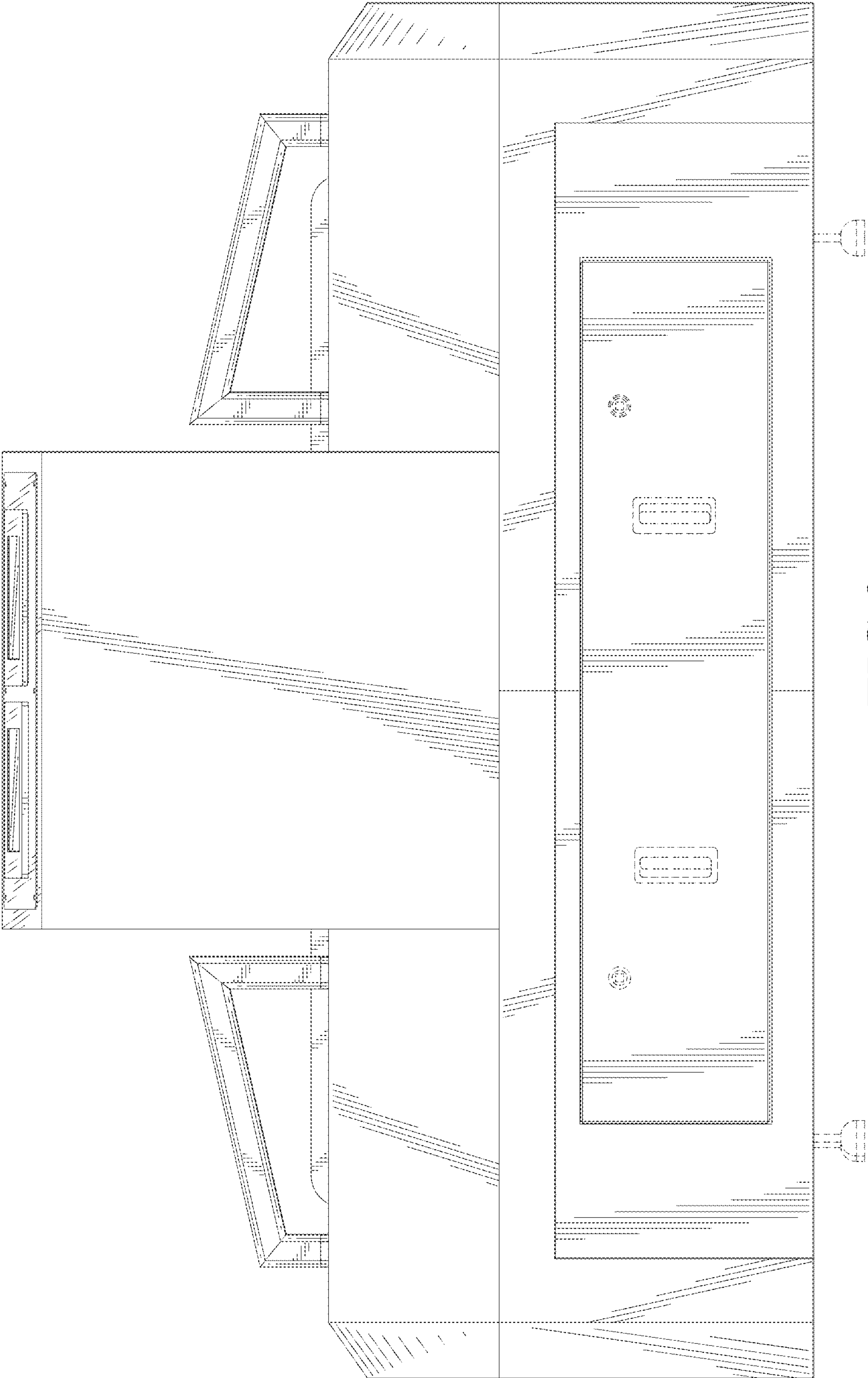


FIG. 2

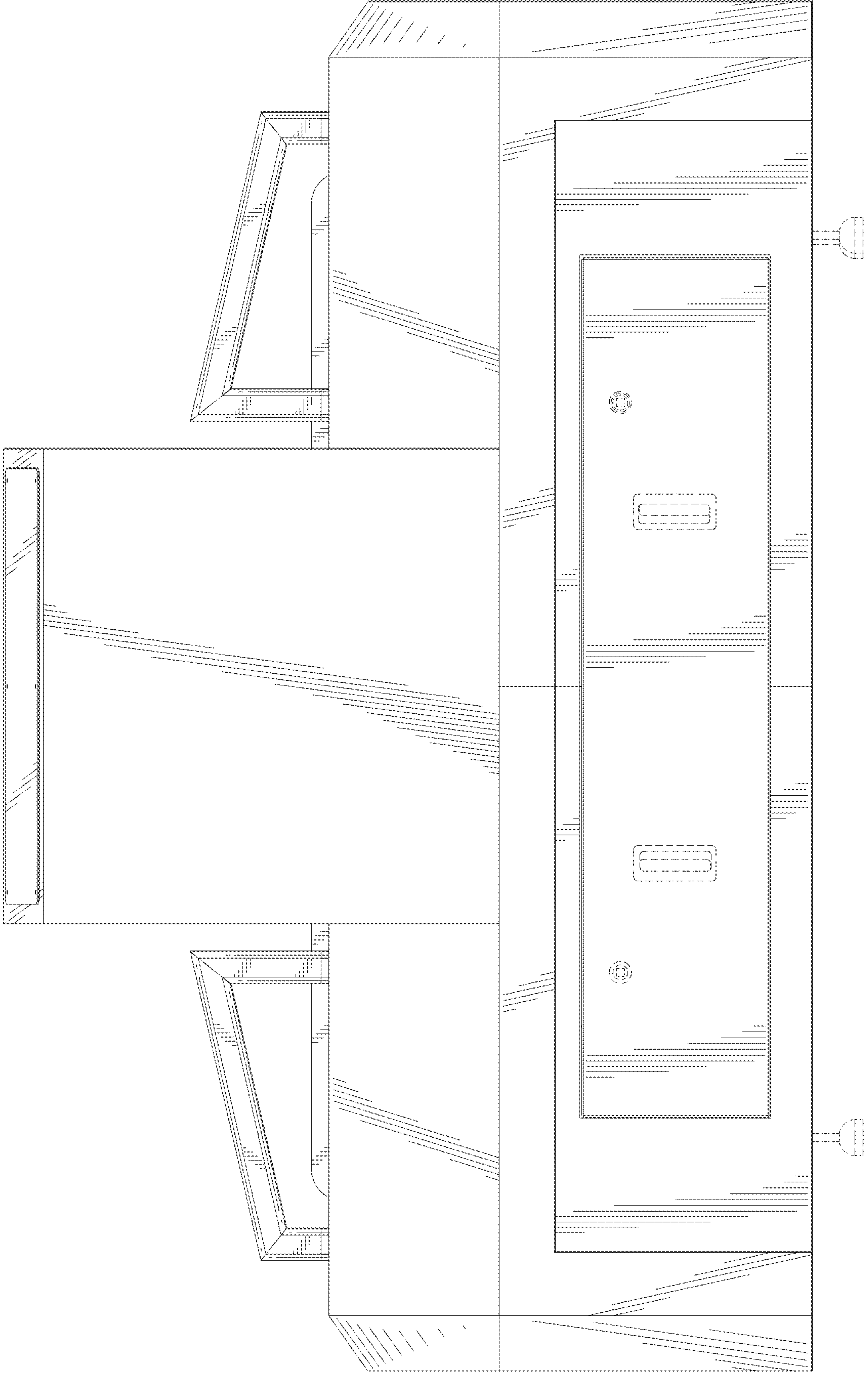


FIG.3

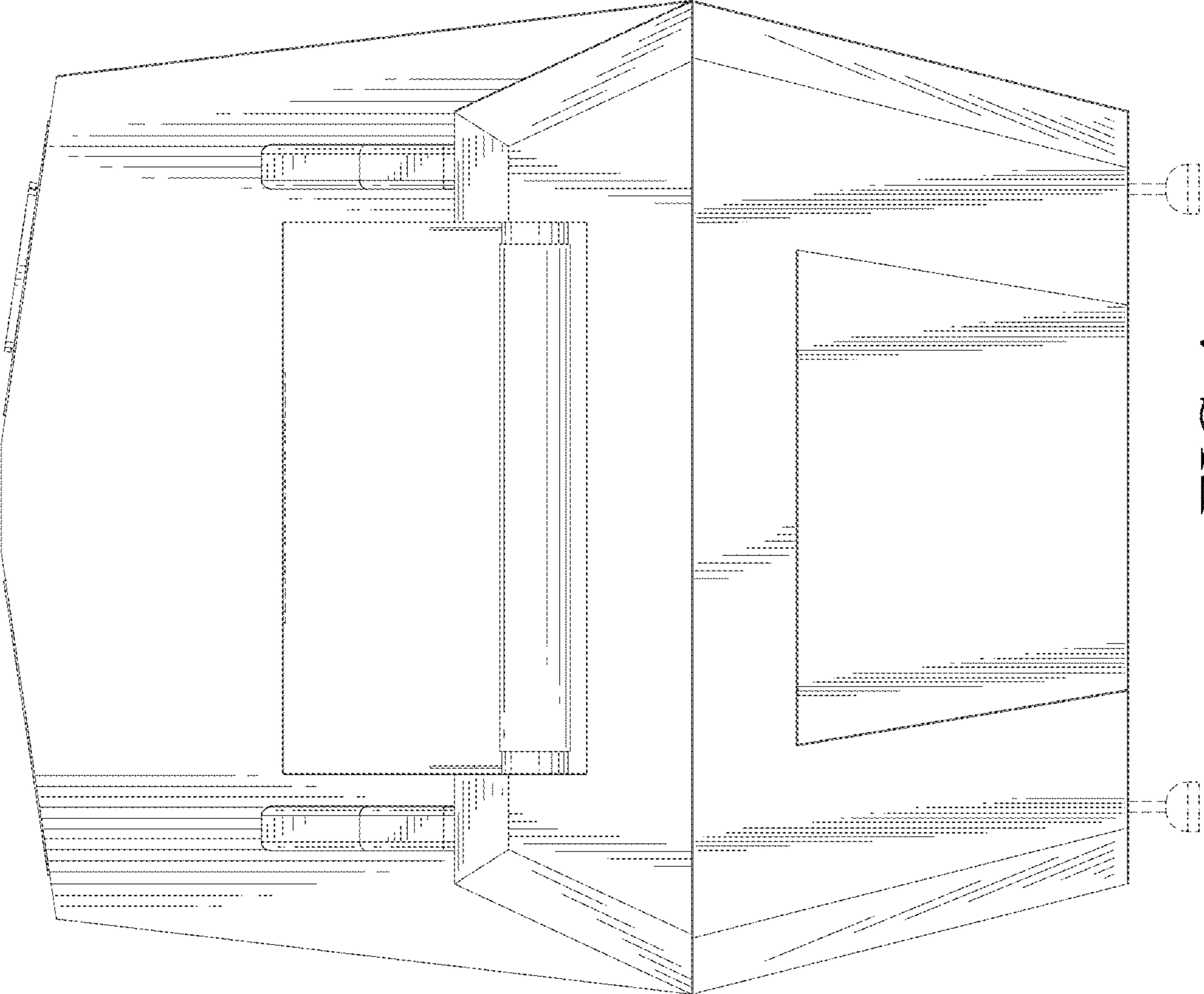


FIG.4

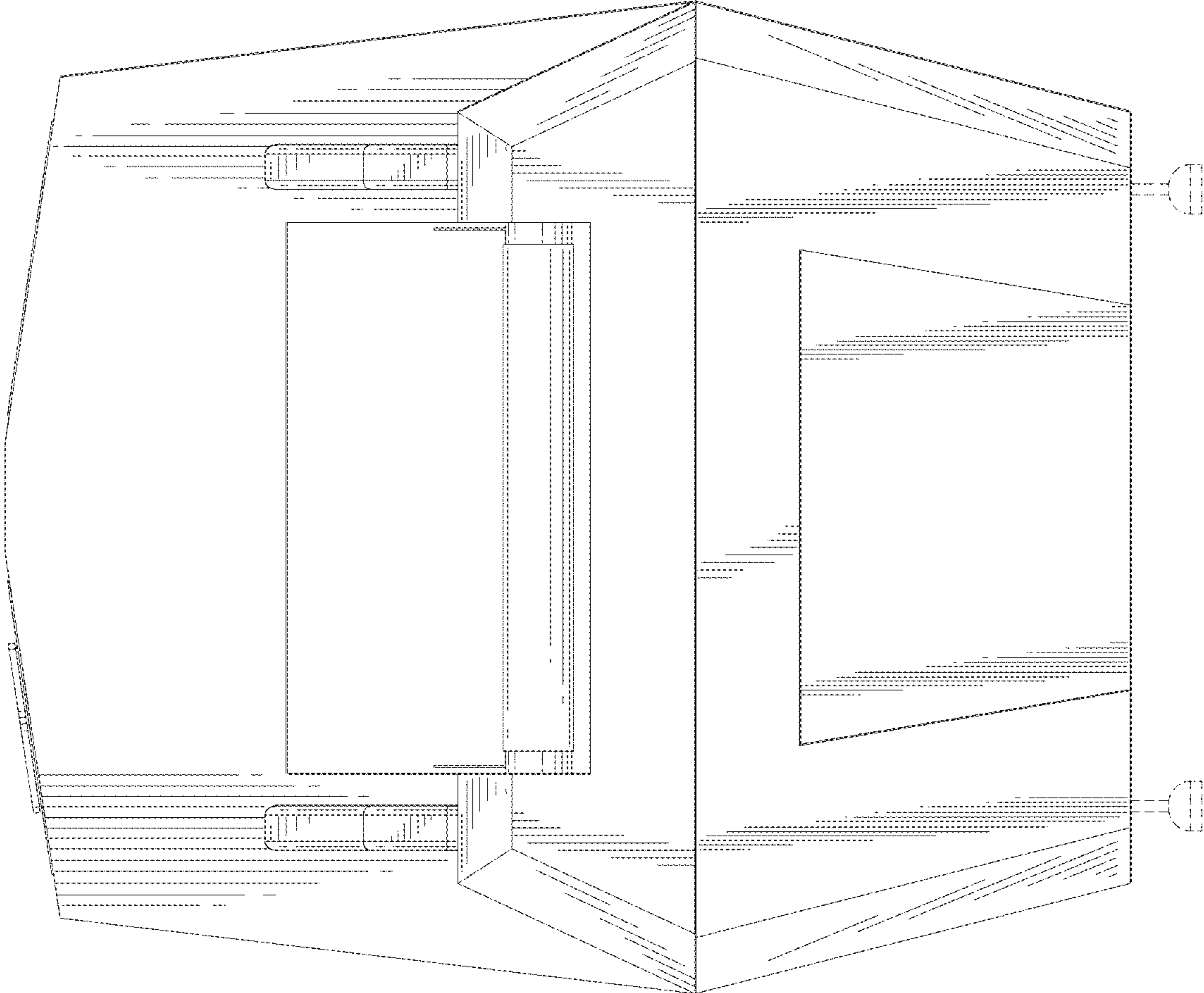


FIG. 5

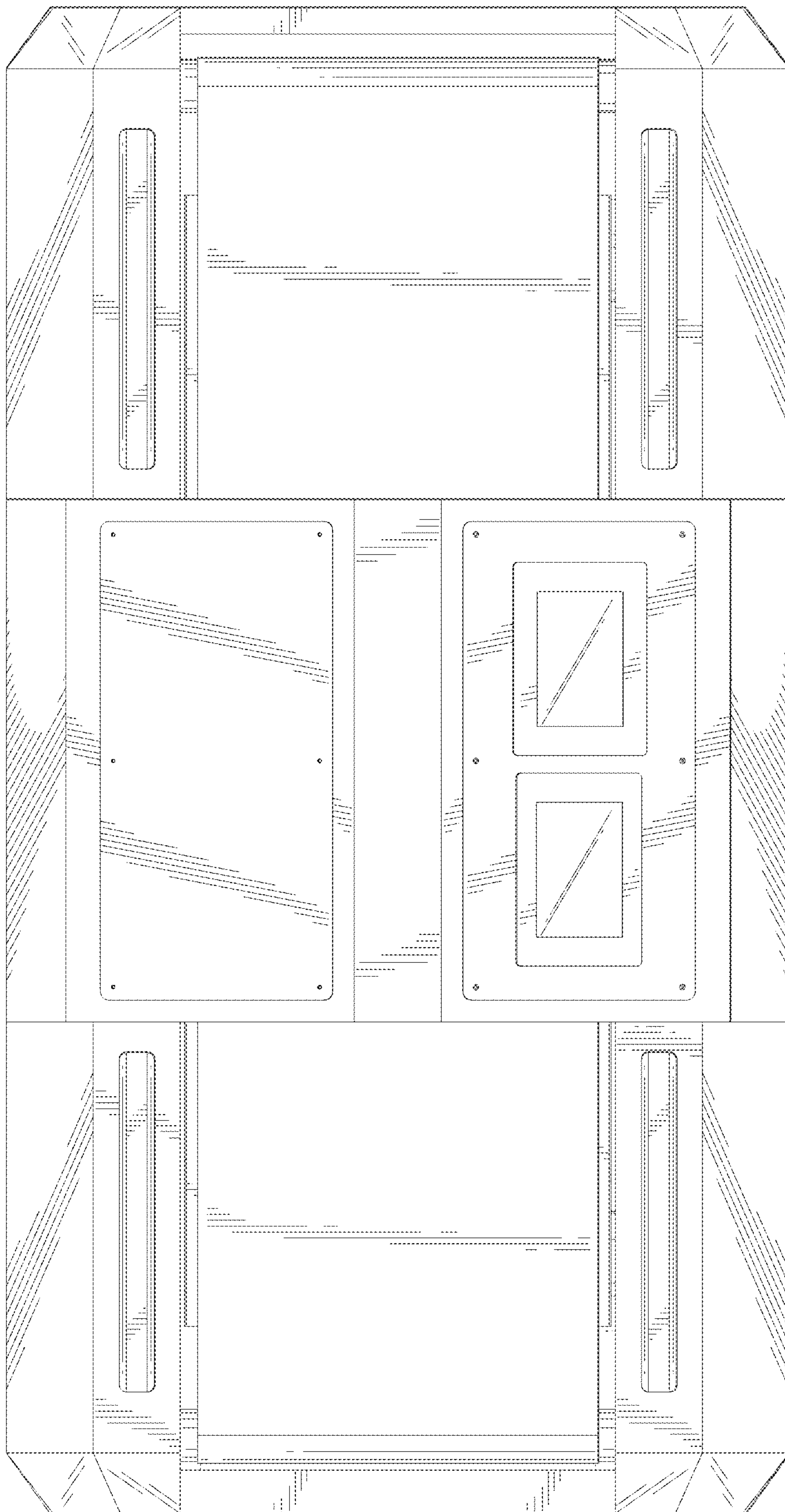


FIG.6