



US00D987444S

(12) **United States Design Patent** (10) **Patent No.:** **US D987,444 S**
King et al. (45) **Date of Patent:** **** May 30, 2023**

(54) **PARKING PAY STATION**

(56) **References Cited**

(71) Applicant: **IPS Group Inc.**, San Diego, CA (US)

U.S. PATENT DOCUMENTS

(72) Inventors: **David William King**, Rancho Santa Fe, CA (US); **Choor-Hong Tan**, Epping (AU); **Derek Wu**, Strathfield (AU); **David Andrew Jones**, Beecroft (AU)

D161,888 S 2/1951 Wilkin
D246,917 S 1/1978 Sauter
(Continued)

(73) Assignee: **IPS GROUP INC.**, San Diego, CA (US)

FOREIGN PATENT DOCUMENTS
AT 507762 A1 7/2010
CA 2517717 A1 9/2004
(Continued)

(**) Term: **15 Years**

(21) Appl. No.: **29/839,308**

OTHER PUBLICATIONS

(22) Filed: **May 19, 2022**

Amano McGann MSM Metric Elite LS Solar Electric Parking Lot Credit Pay Station, https://www.ebay.com/itm/363873148900?chn=ps&_trkparms=ispr%3D1&amdata=enc%3A1K2bGXENIRoaeSp_nPk37pg23&norover=1&mkevt=1&mkrid=711-117182-37290-0&mkcid=2&itemid=363873148900&targetid=1587262742097&device, copyright 2022. (Year: 2022).*

Related U.S. Application Data

(62) Division of application No. 29/700,889, filed on Aug. 6, 2019, now Pat. No. Des. 955,230.

(51) **LOC (14) Cl.** **10-03**

(52) **U.S. Cl.**
USPC **D10/42**; D99/28; D18/4.4; D18/4.6

(58) **Field of Classification Search**
USPC D99/28, 34, 35, 36, 43, 99; D10/40, 42; D14/300, 301, 302, 305, 307, 900-902; D21/324, 325, 329, 369, 370; D18/3.1, D18/3.2, 3.3, 4.1, 4.2, 4.3, 4.4, 4.5, 4.6, D18/11, 12, 12.1, 12.2, 12.3; 705/16, 17, 705/18, 42, 43, 44, 45; 235/379, 380, 235/381; 194/205; 109/1 R, 1 V, 2, 23, 109/24.1, 25, 58, 58.5, 66; 52/36.1; 101/66

CPC .. G06Q 20/10; G06Q 20/108; G06Q 20/1085; G06Q 20/18; G07D 1/00; G07D 1/02; G07D 1/04; G07D 1/06; G07D 11/00; G07D 9/002; G07D 9/04; G07F 19/20; G07F 19/201; G07F 19/202; G07F 19/203; G07F 19/204; G07F 19/205; G07F 19/21; G07F 19/00; G07F 7/04; G07F 5/00; G07F 1/00; E05G 7/001

See application file for complete search history.

(Continued)

Primary Examiner — Elizabeth J Oswecki

(74) *Attorney, Agent, or Firm* — Wilson Sonsini Goodrich & Rosati

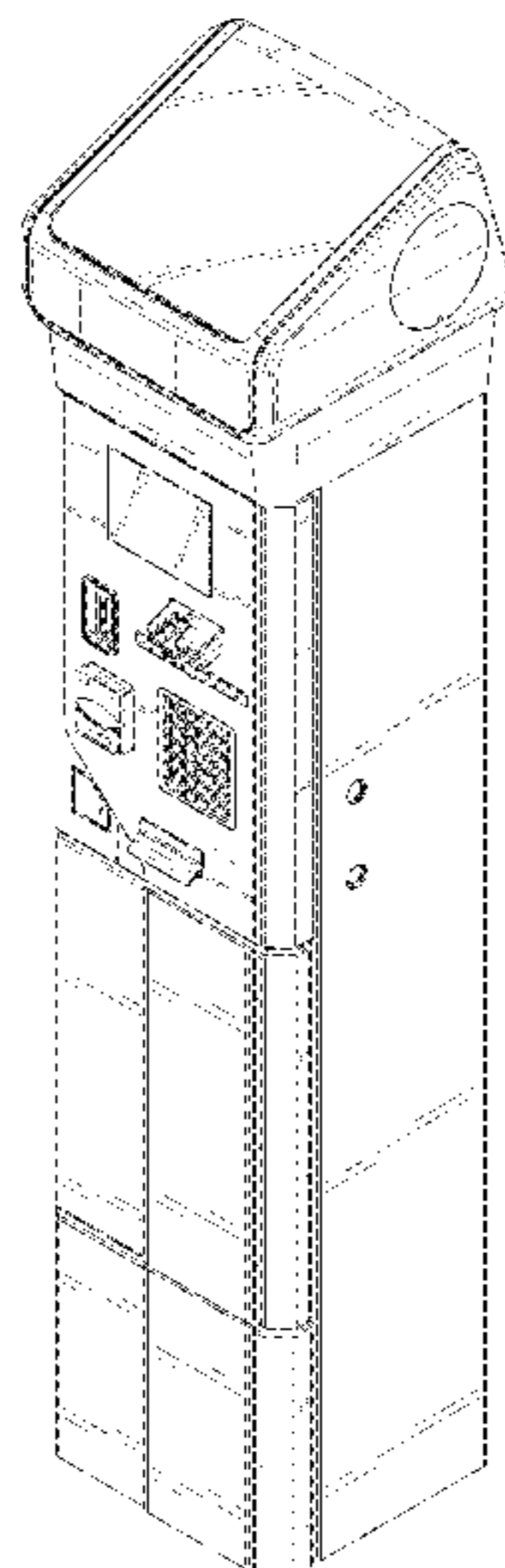
(57) **CLAIM**

The ornamental design for a parking pay station, as shown and described.

DESCRIPTION

FIG. 1 is a top front right perspective view of a parking pay station, showing our new design;
FIG. 2 is a top back left perspective view thereof;
FIG. 3 is a front elevational view thereof;
FIG. 4 is a back elevational view thereof;
FIG. 5 is a left side elevational view thereof;
FIG. 6 is a right side elevational view thereof; and,
FIG. 7 is a top plan view thereof.

1 Claim, 7 Drawing Sheets



(56)

References Cited

U.S. PATENT DOCUMENTS

4,615,280	A	10/1986	Shoop et al.	8,181,857	B1	5/2012	Lute et al.	
4,754,126	A	6/1988	Caldwell	D661,603	S *	6/2012	MacKay	D10/42
5,065,156	A	11/1991	Bernier	D672,525	S	12/2012	Lee et al.	
D331,996	S	12/1992	Fukutake et al.	D674,985	S	1/2013	Lee	
D336,860	S	6/1993	Clough	D677,035	S	2/2013	Lee	
D342,209	S	12/1993	Clough	D677,714	S	3/2013	Helgesson et al.	
D354,047	S	1/1995	Leggate et al.	D680,156	S	4/2013	Hernandez et al.	
D360,734	S	7/1995	Hall	D681,717	S	5/2013	Helgesson et al.	
D360,737	S	7/1995	Helbig, Jr.	D682,504	S	5/2013	Lee et al.	
D375,607	S	11/1996	Hall	D691,165	S	10/2013	Attoma	
D396,655	S	8/1998	Anderson	D693,983	S	11/2013	Budde et al.	
5,915,246	A	6/1999	Patterson et al.	8,573,484	B1	11/2013	Irudayam et al.	
D412,289	S	7/1999	Winwood	D696,484	S	12/2013	Lee	
6,029,888	A	2/2000	Harvey	D696,485	S	12/2013	Lee	
D430,045	S	8/2000	Omuro et al.	D702,913	S	4/2014	Budde	
D431,788	S	10/2000	Tuxen et al.	D702,914	S	4/2014	Budde	
D437,468	S	2/2001	Fukutake et al.	D705,090	S *	5/2014	MacKay	D10/42
D447,519	S	9/2001	Pinchuk et al.	D707,140	S *	6/2014	King	D10/42
D448,910	S	10/2001	Kit	D707,141	S *	6/2014	King	D10/42
D450,253	S	11/2001	Marguet	D707,142	S *	6/2014	King	D10/42
D454,421	S	3/2002	Jeon	D716,157	S *	10/2014	MacKay	D10/42
D456,587	S	4/2002	Kit et al.	D716,515	S	10/2014	Cha	
D460,005	S	7/2002	Jacquet	D722,740	S	2/2015	Budde	
D472,362	S	3/2003	Zerman et al.	D724,290	S	3/2015	Cha et al.	
6,527,172	B1	3/2003	Lewis et al.	D724,811	S	3/2015	Reitinger	
D481,516	S	10/2003	Magee	D724,812	S	3/2015	Cha et al.	
D485,417	S	1/2004	Magee	D725,504	S *	3/2015	McEneany	D10/42
D488,280	S	4/2004	Zerman	D728,190	S	4/2015	Sheley	
D492,080	S	6/2004	Magee	D732,263	S	6/2015	Budde et al.	
D492,081	S	6/2004	Magee	D735,437	S	7/2015	Randall et al.	
D494,730	S	8/2004	Magee	D735,438	S	7/2015	Randall et al.	
D497,814	S	11/2004	Odinotski et al.	D735,440	S	7/2015	Randall et al.	
D505,240	S	5/2005	Swaine et al.	D735,963	S	8/2015	Randall et al.	
D505,765	S	5/2005	Swaine et al.	D735,965	S	8/2015	Randall et al.	
D510,751	S	10/2005	Magee et al.	D739,637	S	9/2015	Randall	
7,004,385	B1	2/2006	Douglass	D739,638	S	9/2015	Randall	
7,040,534	B2	5/2006	Turocy et al.	D739,639	S	9/2015	Randall	
D530,880	S	10/2006	Magee et al.	D741,040	S	10/2015	Budde et al.	
7,131,576	B2	11/2006	Utz et al.	D742,090	S	10/2015	Randall	
D538,505	S	3/2007	Kang	D743,956	S	11/2015	Kraft et al.	
7,222,782	B2	5/2007	Lute, Jr. et al.	D746,015	S	12/2015	King et al.	
7,347,368	B1	3/2008	Gravelle et al.	D748,364	S	1/2016	King et al.	
D570,920	S	6/2008	Choi	D748,888	S	2/2016	King et al.	
7,419,091	B1	9/2008	Scanlon	D749,290	S	2/2016	Pollmann	
D579,795	S	11/2008	Martinez et al.	D762,040	S	7/2016	King et al.	
7,445,144	B2	11/2008	Schlabach et al.	D769,570	S	10/2016	Kraft et al.	
D582,125	S	12/2008	Kang et al.	D769,571	S	10/2016	Lee et al.	
D592,825	S	5/2009	Kang et al.	D769,572	S	10/2016	Park et al.	
7,533,802	B1	5/2009	McGinley et al.	D779,771	S	2/2017	King et al.	
D596,373	S	7/2009	Kang et al.	D779,772	S	2/2017	King et al.	
D596,374	S	7/2009	Kang	D779,773	S	2/2017	King et al.	
7,575,166	B2	8/2009	McNamara	D779,774	S	2/2017	King et al.	
7,611,045	B1	11/2009	Lute et al.	D781,024	S	3/2017	King et al.	
7,624,919	B2	12/2009	Meek et al.	D791,621	S *	7/2017	Loye	D10/42
7,699,224	B2	4/2010	Mole	D792,049	S	7/2017	Oh et al.	
D615,274	S	5/2010	Kim et al.	D795,523	S	8/2017	King et al.	
7,717,327	B2	5/2010	Gomes et al.	D802,874	S	11/2017	King et al.	
7,726,558	B1	6/2010	Lute et al.	D802,875	S	11/2017	King et al.	
D625,305	S	10/2010	Bleck	D802,876	S	11/2017	King et al.	
D629,585	S	12/2010	Bleck et al.	D802,877	S	11/2017	King et al.	
D632,740	S	2/2011	Adeline	D802,878	S	11/2017	King et al.	
7,891,546	B1	2/2011	Steinbach et al.	9,842,455	B2	12/2017	Mackay et al.	
D645,223	S	9/2011	Bleck	D813,059	S	3/2018	Mackay et al.	
D651,784	S	1/2012	Rohan et al.	D832,553	S	10/2018	Angelopoulos et al.	
D652,601	S	1/2012	Rohan et al.	D863,074	S	10/2019	Mackay et al.	
D652,602	S	1/2012	Rohan et al.	D863,075	S	10/2019	Mackay et al.	
D652,872	S	1/2012	Mougin et al.	D863,076	S	10/2019	Mackay et al.	
D653,012	S	1/2012	Rohan et al.	D863,077	S	10/2019	Mackay et al.	
D653,014	S	1/2012	Rohan	D863,987	S	10/2019	Mackay et al.	
D653,420	S	1/2012	Rohan	D863,988	S *	10/2019	MacKay	D10/42
D653,421	S	1/2012	Rohan	D879,404	S	3/2020	Morishita et al.	
D653,422	S	1/2012	Rohan et al.	D883,605	S	5/2020	Lee et al.	
D653,423	S	1/2012	Rohan et al.	D901,825	S	11/2020	Nelson et al.	
D653,424	S	1/2012	Rohan	RE48,566	E	5/2021	Mackay et al.	
D656,046	S *	3/2012	MacKay	D955,230	S *	6/2022	King	D99/28
				D955,231	S *	6/2022	King	D99/28
				2004/0016796	A1	1/2004	Hanna et al.	
				2004/0059693	A1	3/2004	Hausen et al.	
				2004/0262379	A1	12/2004	Gomes	
				2005/0029340	A1	2/2005	Ferraro	

(56)

References Cited

U.S. PATENT DOCUMENTS

2006/0152385	A1	7/2006	Mandy
2007/0046651	A1	3/2007	Sinclair et al.
2007/0276724	A1	11/2007	Catt et al.
2008/0257965	A1	10/2008	Klein et al.
2008/0265019	A1	10/2008	Artino et al.
2008/0296365	A1	12/2008	Schliebe
2009/0057398	A1	3/2009	Douglass et al.
2010/0161489	A1	6/2010	Goodall et al.
2010/0187300	A1	7/2010	Ramachandran et al.
2010/0241564	A1	9/2010	Miller et al.
2010/0243729	A1	9/2010	Russell et al.
2011/0062230	A1	3/2011	Ward, II et al.
2011/0133613	A1	6/2011	Descamps et al.
2011/0320243	A1	12/2011	Khan
2012/0286036	A1	11/2012	Jones et al.
2014/0165885	A1	6/2014	Denny et al.
2017/0323227	A1	11/2017	Sadeghi
2019/0385454	A1	12/2019	King et al.

FOREIGN PATENT DOCUMENTS

EP	1227448	A2	7/2002
FR	2928678	A1	9/2009
FR	2979726	A1	3/2013
JP	3441832	B2	9/2003
JP	4247079	B2	4/2009
JP	5238316	B2	7/2013
WO	WO-02084600	A1	10/2002
WO	WO-03065322	A1	8/2003
WO	WO-2010062105	A2	6/2010
WO	WO-2014127384	A1	8/2014

OTHER PUBLICATIONS

Additional way to pay metered street parking at NIC,<https://innovate.unl.edu/news/additional-way-pay-metered-street-parking-nic>, copyright 2022. (Year: 2022).*

Co-pending U.S. Appl. No. 29/700,889, inventors King; David William et al., filed Aug. 6, 2018.

Co-pending U.S. Appl. No. 29/700,891, inventors King; David William et al., filed Aug. 6, 2019.

Co-pending U.S. Appl. No. 29/700,892, inventors King; David William et al., filed Aug. 6, 2019.

Co-pending U.S. Appl. No. 29/700,893, inventors King; David William et al., filed Aug. 6, 2019.

Co-pending U.S. Appl. No. 29/700,894, inventors King; David William et al., filed Aug. 6, 2019.

Co-pending U.S. Appl. No. 29/839,309, inventor King; David William, filed May 19, 2022.

Garra et al.: A Privacy-Preserving Pay-by-Phone Parking System. Computer Science IEEE Transactions on Vehicular Technology, pp. 1-10 DOI:10.1109/TVT.2016.2634785 (2017).

No change for car park charge? Just RingGo,<https://www.northern-times.co.uk/news/no-change-for-car-park-charge-just-ringgo-140901/>, Jul. 6, 2017.

Parking Pay Stations,<https://www.cityofcocoabeach.com/642/Parking-Pay-Stations>, retrieved on Jun. 10, 2021.

Co-pending U.S. Appl. No. 29/856,410, inventors King; David William et al., filed Oct. 13, 2022.

Co-pending U.S. Appl. No. 29/856,413, inventors King; David William et al., filed Oct. 13, 2022.

Co-pending U.S. Appl. No. 29/856,417, inventors King; David William et al., filed Oct. 13, 2022.

Alibaba: Ticket dispenser parking management system auto payment station machine street parking meter coin parking meters, pp. 1-7. https://www.alibaba.com/product-detail/Ticket-dispenser-parking-management-system-auto_60612328565.html [retrieved online Mar. 22, 2023] (2023).

Made-In-China: Pay Station for Payment—Parking Meter with Solar, Parking Management Payment, Automatic Park Pay Station for Car Parking Management Payment, pp. 1-3. <https://www.made-in-china.com/showroom/13121018wkf/product-detailGXFEHIVrYApc/China-Pay-Station-for-Payment-Parking-Meter-with-Solar-Parking-Management> [retrieved online Mar. 22, 2023] (2023).

PAR-KUT International: Pay Station Shelters, pp. 1-3 <https://www.parkut.com/products/shelters/pay-station-shelters/> [retrieved online Mar. 22, 2023] copyright 2023. (2023).

* cited by examiner

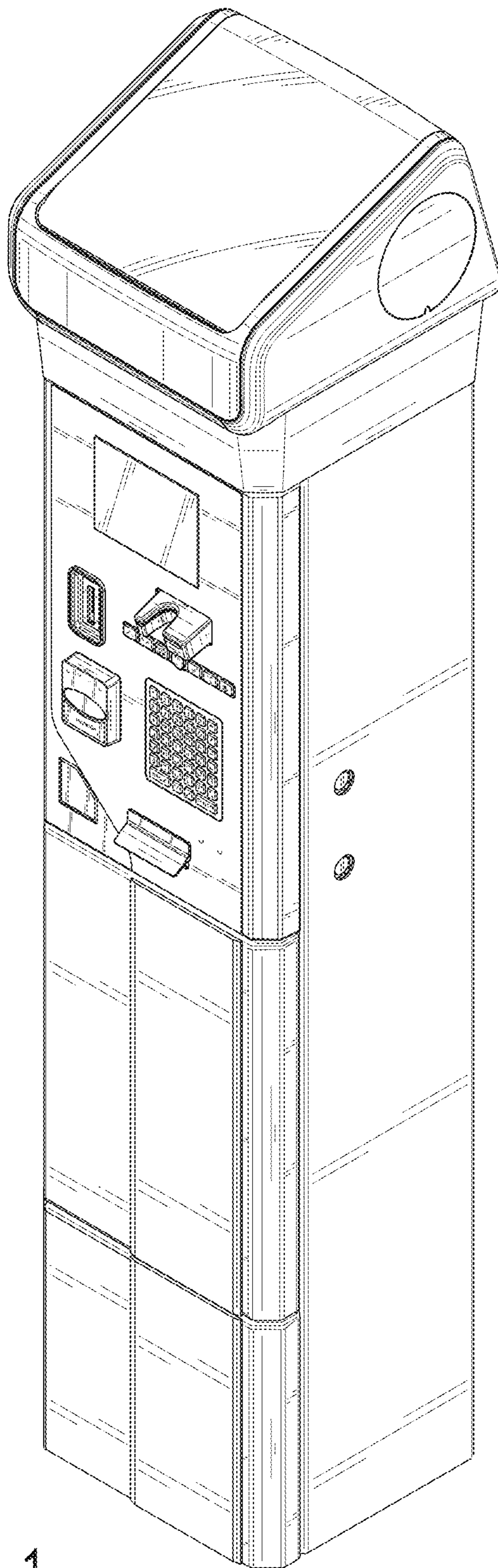


FIG. 1

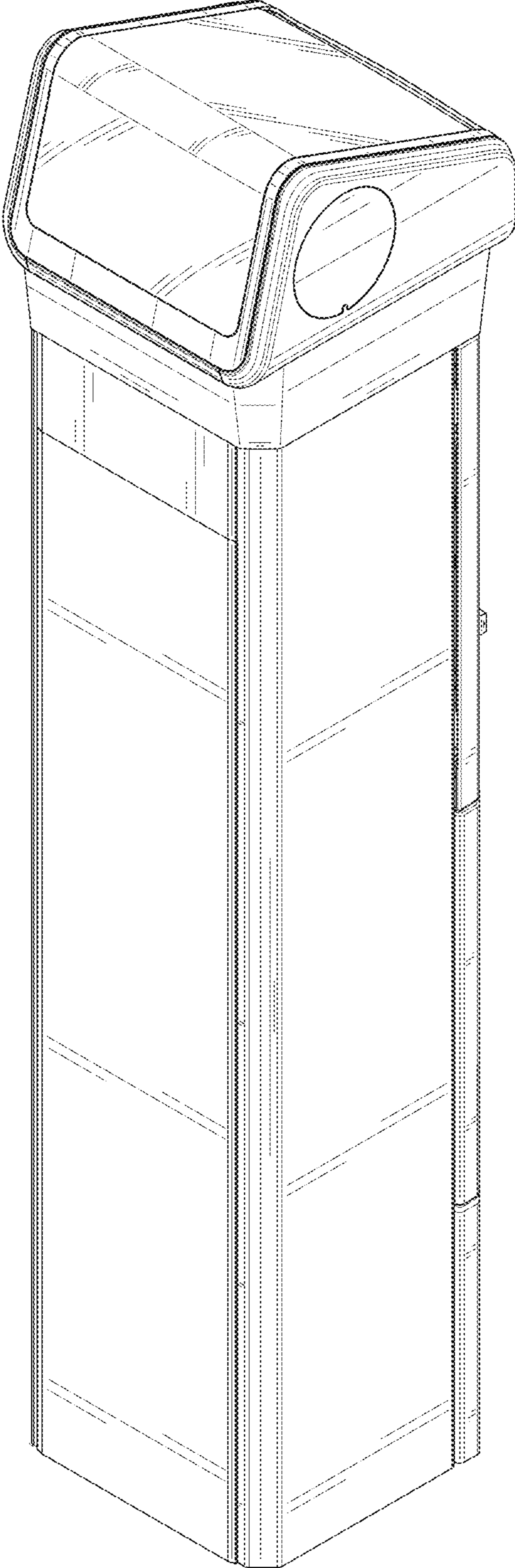


FIG. 2

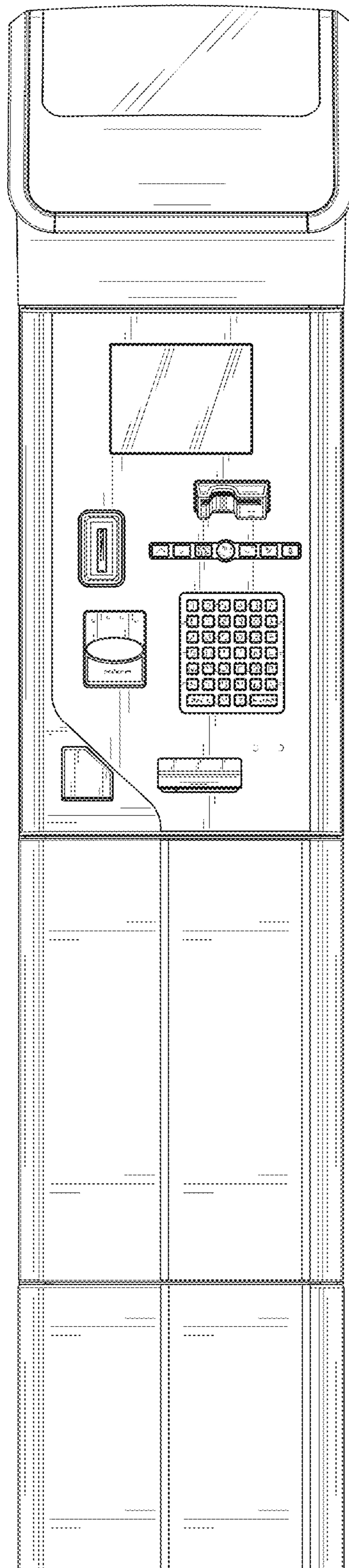


FIG. 3

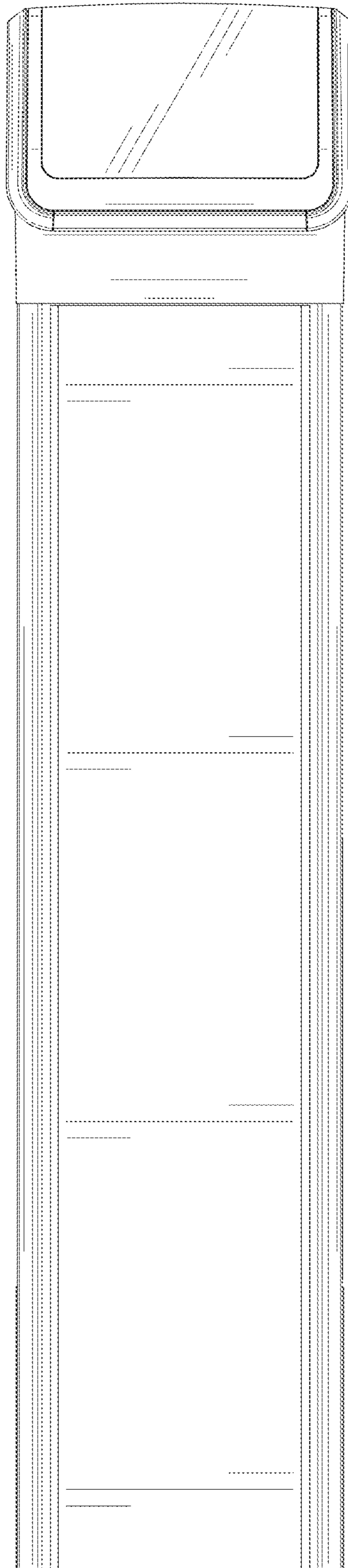


FIG. 4

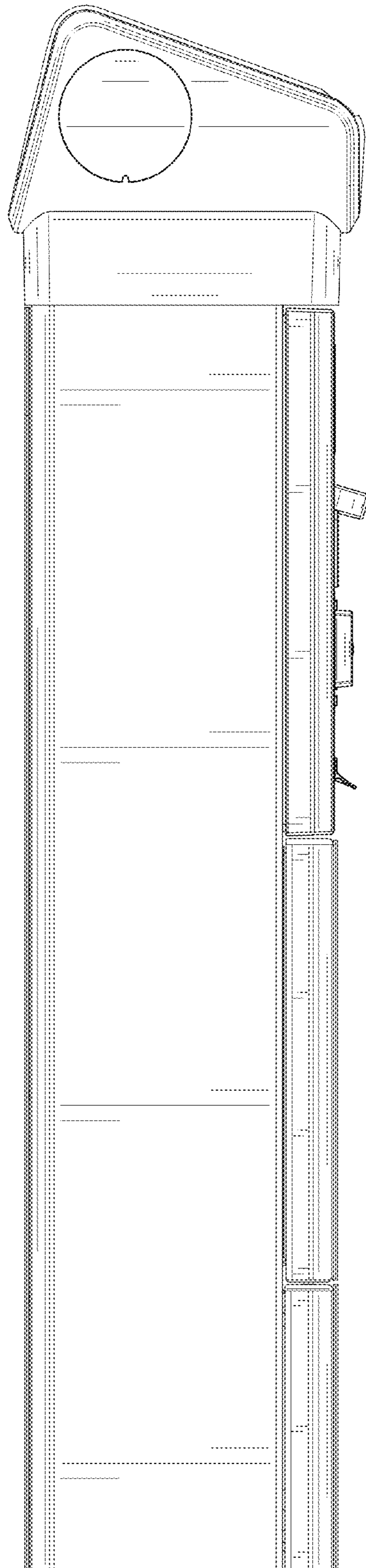


FIG. 5

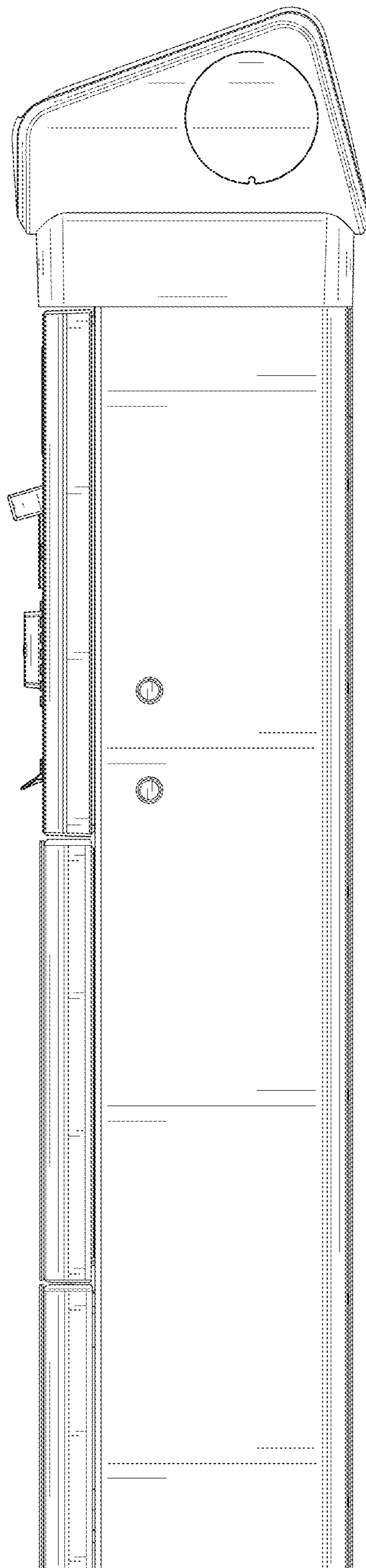


FIG. 6

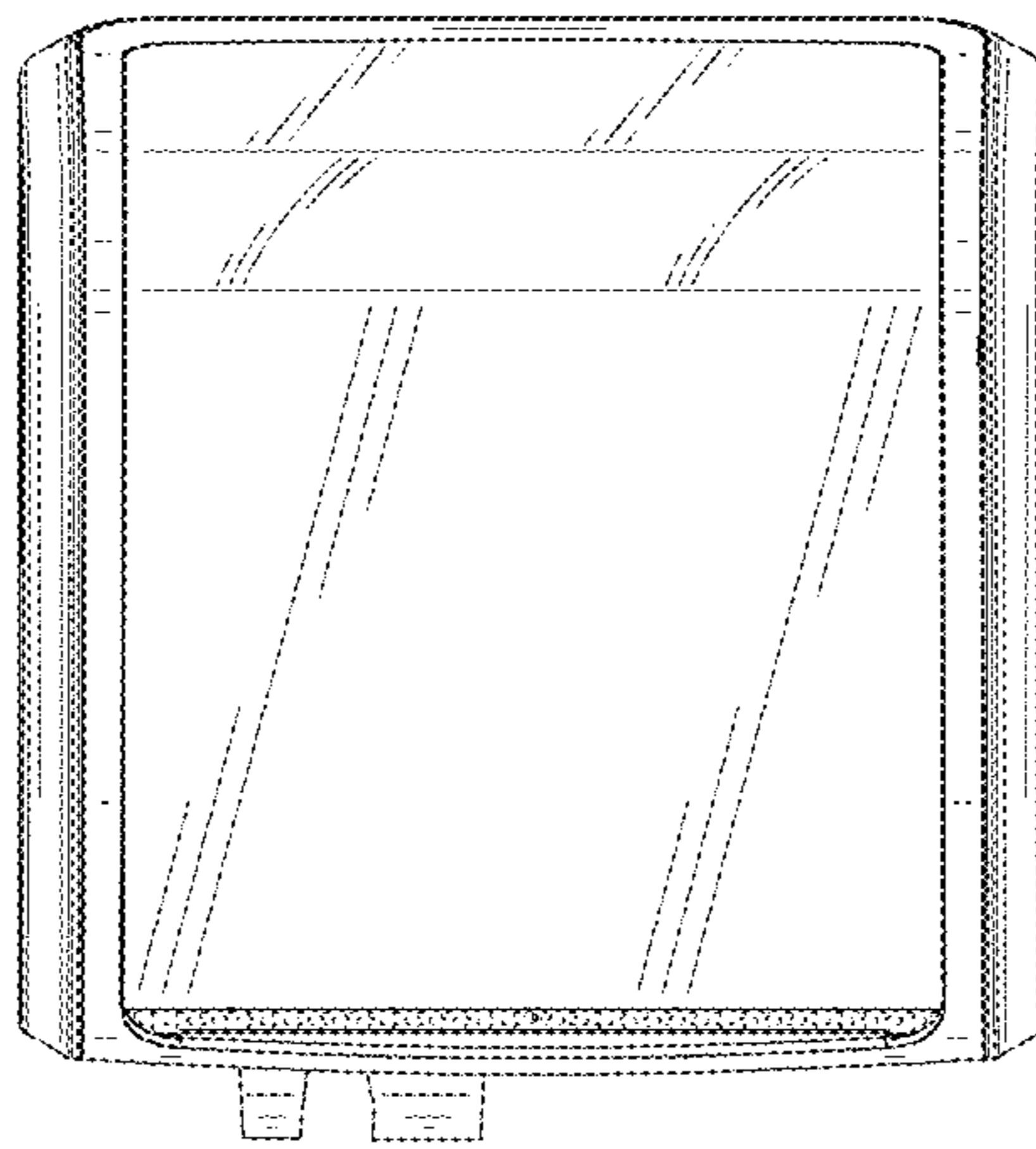


FIG. 7