



US00D987443S

(12) **United States Design Patent** (10) **Patent No.:** **US D987,443 S**
Gimenez (45) **Date of Patent:** **** May 30, 2023**

(54) **WATCH**
(71) Applicant: **Cartier International AG**, Steinhausen (CH)
(72) Inventor: **Nicole Gimenez**, Mont-sur-Rolle (CH)
(**) Term: **15 Years**
(21) Appl. No.: **35/514,151**
(22) Filed: **Feb. 28, 2022**

D462,280 S * 9/2002 Cheng D10/39
D496,873 S * 10/2004 Nataf D10/125
D497,813 S * 11/2004 Monti D10/39
D500,684 S * 1/2005 Peraldi D10/39
D505,628 S * 5/2005 Scheufele D10/39
D508,421 S * 8/2005 Diltoer D10/39
D514,457 S * 2/2006 Diltoer D10/39
D546,203 S * 7/2007 Campos D10/32
D553,021 S * 10/2007 Bodino D10/39
D562,157 S * 2/2008 Campos D10/39
D588,023 S * 3/2009 Lassigne D10/38
D589,375 S * 3/2009 Tang D10/32

(Continued)

(80) **Hague Agreement Data**

Int. Filing Date: **Feb. 28, 2022**
Int. Reg. No.: **DM/219422**
Int. Reg. Date: **Feb. 28, 2022**
Int. Reg. Pub. Date: **Apr. 29, 2022**

FOREIGN PATENT DOCUMENTS

CN 202230302273.7 * 5/2022
TW 100306694 * 12/2011

(51) **LOC (14) Cl.** **10-02**
(52) **U.S. Cl.**
USPC **D10/39**

OTHER PUBLICATIONS

Amazon, Avaner Men's Square Watch Vintage, posted Jul. 6, 2017, [online], [visited Mar. 20, 2023]. Internet, <URL: <https://www.amazon.co.uk/Avanver-Vintage-Numeral-Second-Hand-Calendar/dp/B073RFJWG1/ref>> (Year: 2017).*

(58) **Field of Classification Search**
USPC D10/1, 125, 122, 123, 124, 126, 132, 30, D10/31, 32, 38, 39
CPC G04B 37/00; G04B 37/0008; G04B 37/04; G04B 37/06; G04B 37/12; G04B 37/18; G04B 39/00; G04B 39/002; G04B 39/004; G04B 19/00; G04B 19/02; G04B 19/04; G04B 19/06; G04B 19/08; G04B 19/20; G04B 39/008; G04B 39/02
See application file for complete search history.

(Continued)

Primary Examiner — Samantha Wood

(56) **References Cited**

U.S. PATENT DOCUMENTS

D262,949 S * 2/1982 Perrin D10/32
D288,066 S * 2/1987 Kanoui D11/12
D386,095 S * 11/1997 Perrin D10/30
D393,598 S * 4/1998 Perrin D10/39
D401,514 S * 11/1998 Coquerel D10/39
D441,668 S * 5/2001 Dumas D10/39
D450,602 S * 11/2001 Strasser D10/32
D458,853 S * 6/2002 Finazzi D10/39

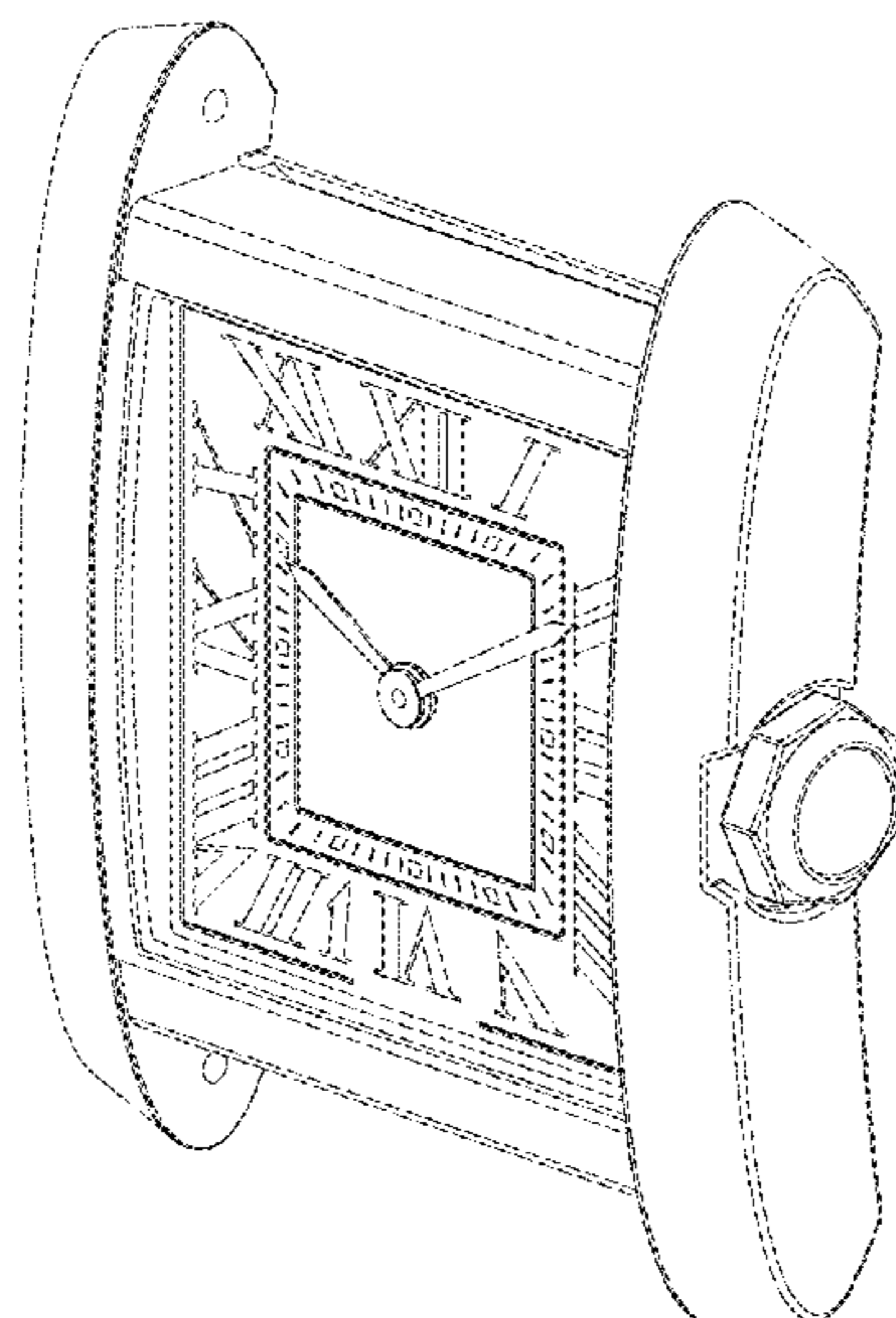
(57) **CLAIM**

The ornamental design for a watch, as shown and described.

DESCRIPTION

- 1. Watch
- 1.1 : Front view
- 1.2 : Rear view
- 1.3 : Top view
- 1.4 : Bottom view
- 1.5 : Left side view
- 1.6 : Right side view
- 1.7 : Front perspective view
- 1.8 : Rear perspective view

1 Claim, 8 Drawing Sheets



(56)

References Cited

U.S. PATENT DOCUMENTS

D650,709 S * 12/2011 Duport D10/39
D655,631 S * 3/2012 Ruefenacht D10/39
D664,449 S * 7/2012 Rabassa D10/39
D665,276 S * 8/2012 Rabassa D10/38
D767,412 S * 9/2016 Voirin D10/38
D873,155 S * 1/2020 Gimenez D10/39
D906,844 S * 1/2021 Abeillon D10/39
D915,908 S * 4/2021 Ford D10/38

OTHER PUBLICATIONS

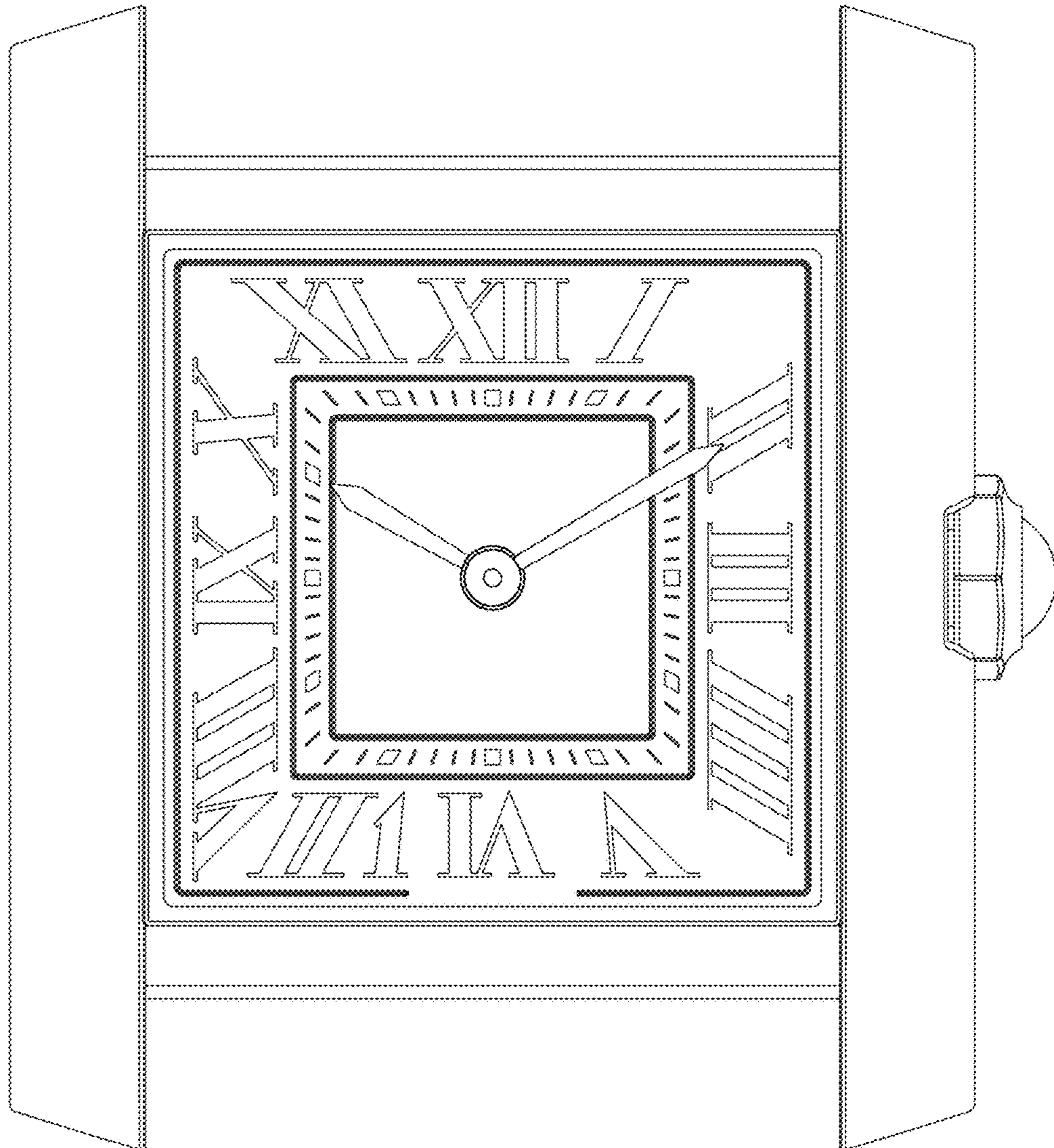
Amazon, Casio Woman LTP-V007L-9E Watch, posted May 26, 2016, [online], [visited Mar. 20, 2023]. Internet, <URL: <https://www.amazon.co.uk/Casio-Movement-Japanese-Quartz-ltp-v007l-9e/dp/B015ZXPUN8/ref>> (Year: 2016).*

Amazon, Timex Meridien Women's Watch, posted Aug. 26, 2020, [online], [visited Mar. 20, 2023]. Internet, <URL: <https://www.amazon.co.uk/Timex-Meriden-Two-tone-Expansion-TW2U44200/dp/B08GPHQS3N/ref>> (Year: 2020).*

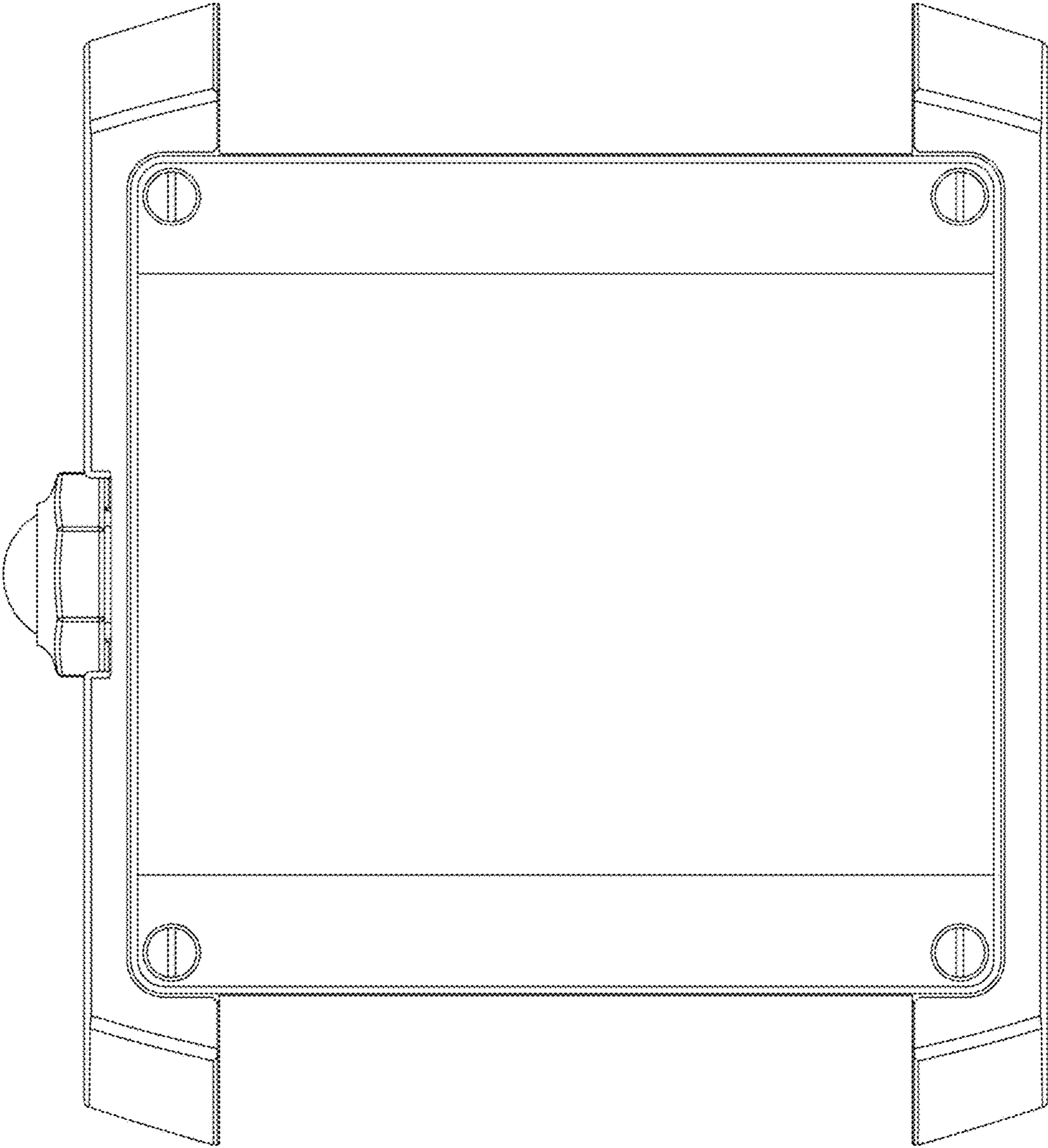
Amazon, Accurist Mens Brown Watch 7412, posted Mar. 4, 2022, [online], [visited Mar. 20, 2023]. Internet, <URL: <https://www.amazon.co.uk/Accurist-Mens-Brown-Watch-7412/dp/B0B3R25MJM/ref>> (Year: 2022).*

* cited by examiner

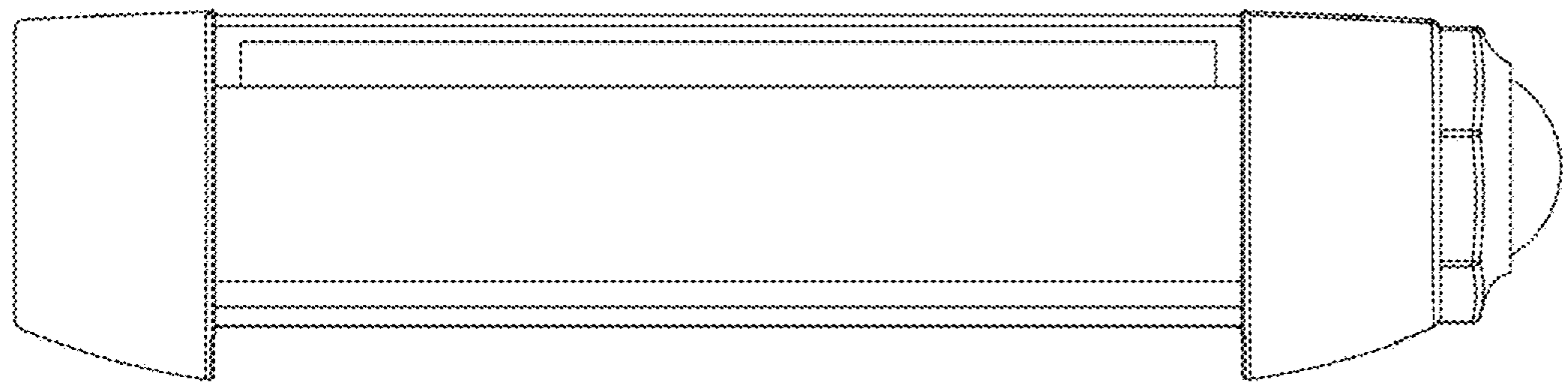
1.1



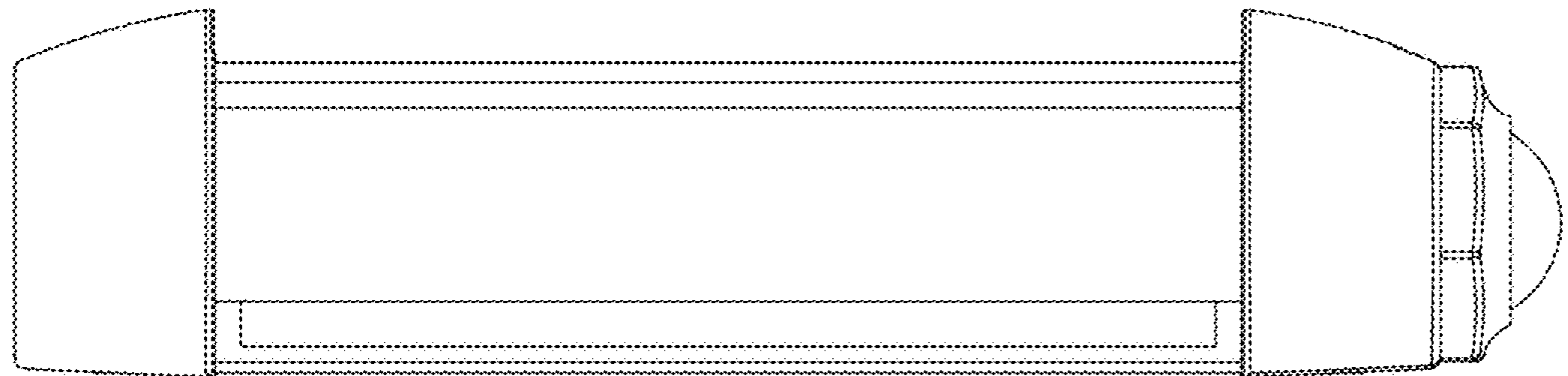
1.2



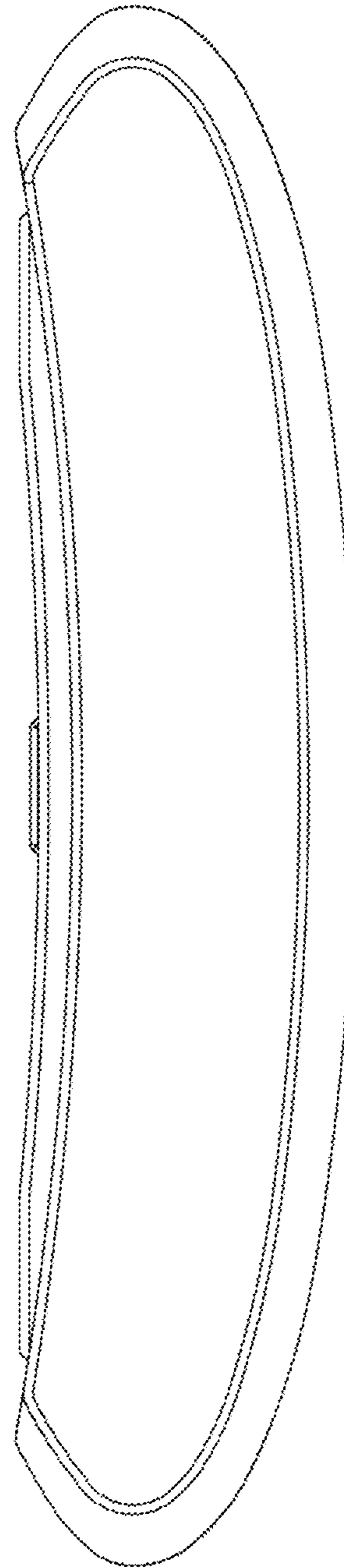
1.3



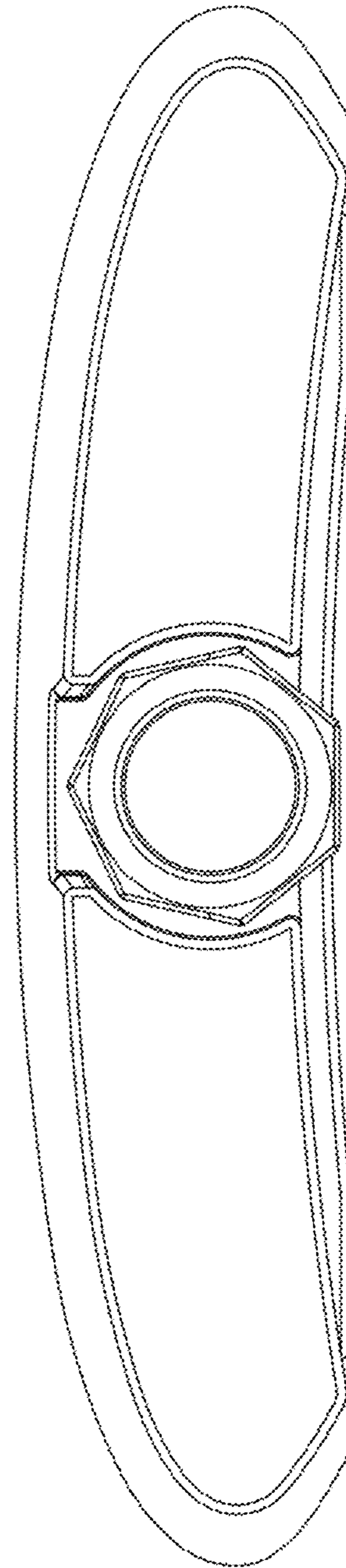
1.4



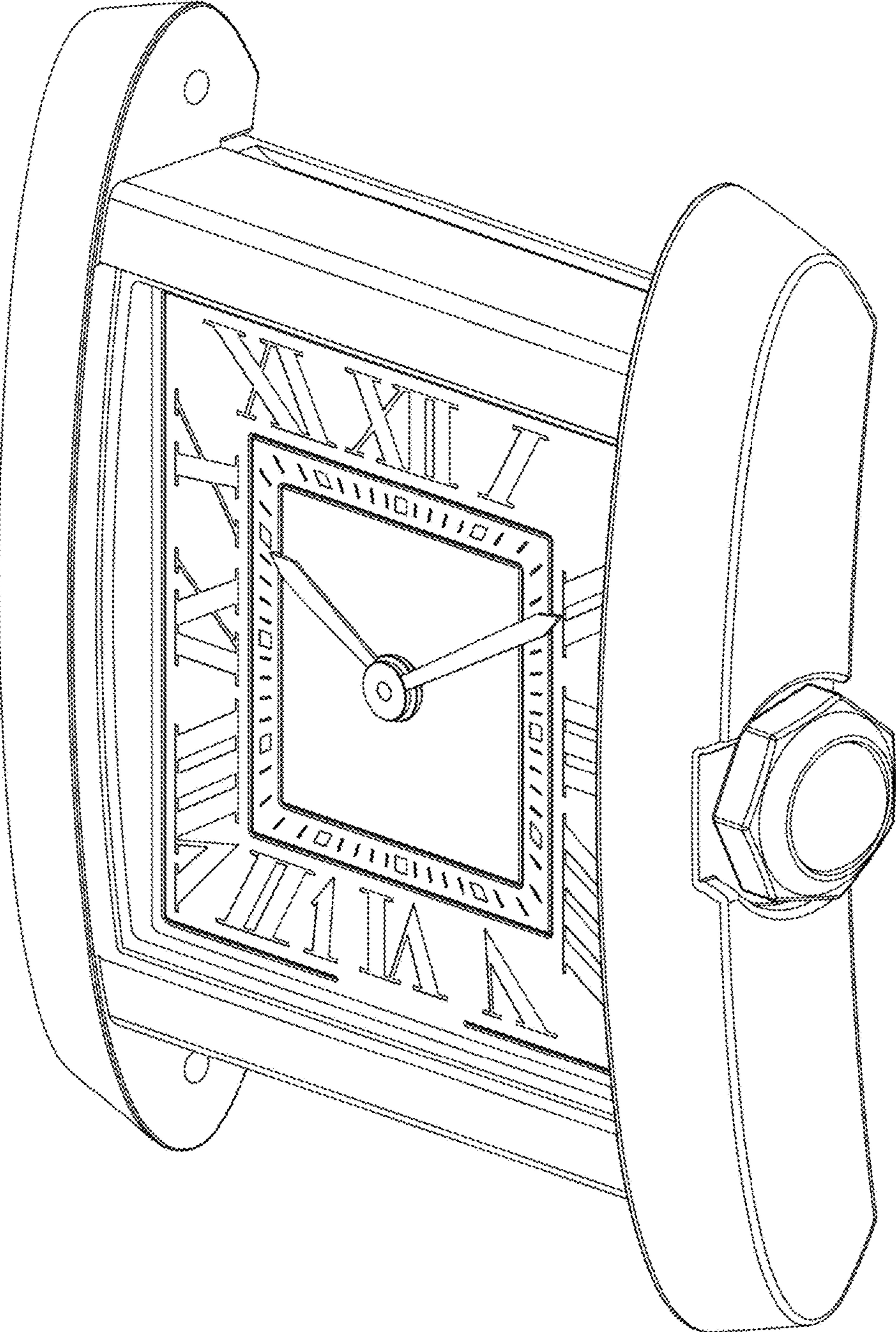
1.5



1.6



1.7



1.8

