



US00D987442S

(12) **United States Design Patent** (10) **Patent No.:** **US D987,442 S**
Taboada (45) **Date of Patent:** **** May 30, 2023**

(54) **SHOPPING BAG**

(71) Applicant: **Amada C. Taboada**, Fairfield, CA (US)

(72) Inventor: **Amada C. Taboada**, Fairfield, CA (US)

(**) Term: **15 Years**

(21) Appl. No.: **29/815,862**

(22) Filed: **Nov. 17, 2021**

(51) **LOC (14) Cl.** **09-05**

(52) **U.S. Cl.**
USPC **D9/709**

(58) **Field of Classification Search**

USPC D9/702-714, 719, 738-740, 517-518,
D9/522, 416, 435, 444, 460, 455, 414,
D9/499, 431-432; D7/560-562;
206/434, 426-427, 429-430, 485, 485.1,
206/499, 508, 431, 418-422, 588-594;
229/117.3, 185, 121, 122, 200, 207, 236,
229/87.01; 220/23.83; 150/100-118;
294/137, 152; 383/6, 10, 14, 20, 40, 33,
383/104-105, 117, 108, 120, 93, 121.1,
383/127; 428/34.3

CPC B65D 33/00; B65D 33/06; B65D 33/065;
B65D 33/14; B65D 33/1683; B65D
33/12; B65D 31/00; B65D 31/04; B65D
31/10; A45C 3/04; A45C 3/10

See application file for complete search history.

(56) **References Cited**

U.S. PATENT DOCUMENTS

D330,852 S	11/1992	Gontowski	
5,785,428 A	7/1998	Mazzocchi	
6,716,296 B2	4/2004	Chum	
7,093,978 B2	8/2006	Tan	
D805,919 S	12/2017	Ross	
D824,780 S	8/2018	Tseng	
D878,926 S *	3/2020	McGrath	D9/709
D919,443 S *	5/2021	Liao	D9/709
D959,281 S *	8/2022	Yang	D9/709
D964,108 S *	9/2022	Lees	D9/709
D970,351 S *	11/2022	Chan	D9/709
D976,713 S *	1/2023	Cobler	D9/709

* cited by examiner

Primary Examiner — Abraham Bahta

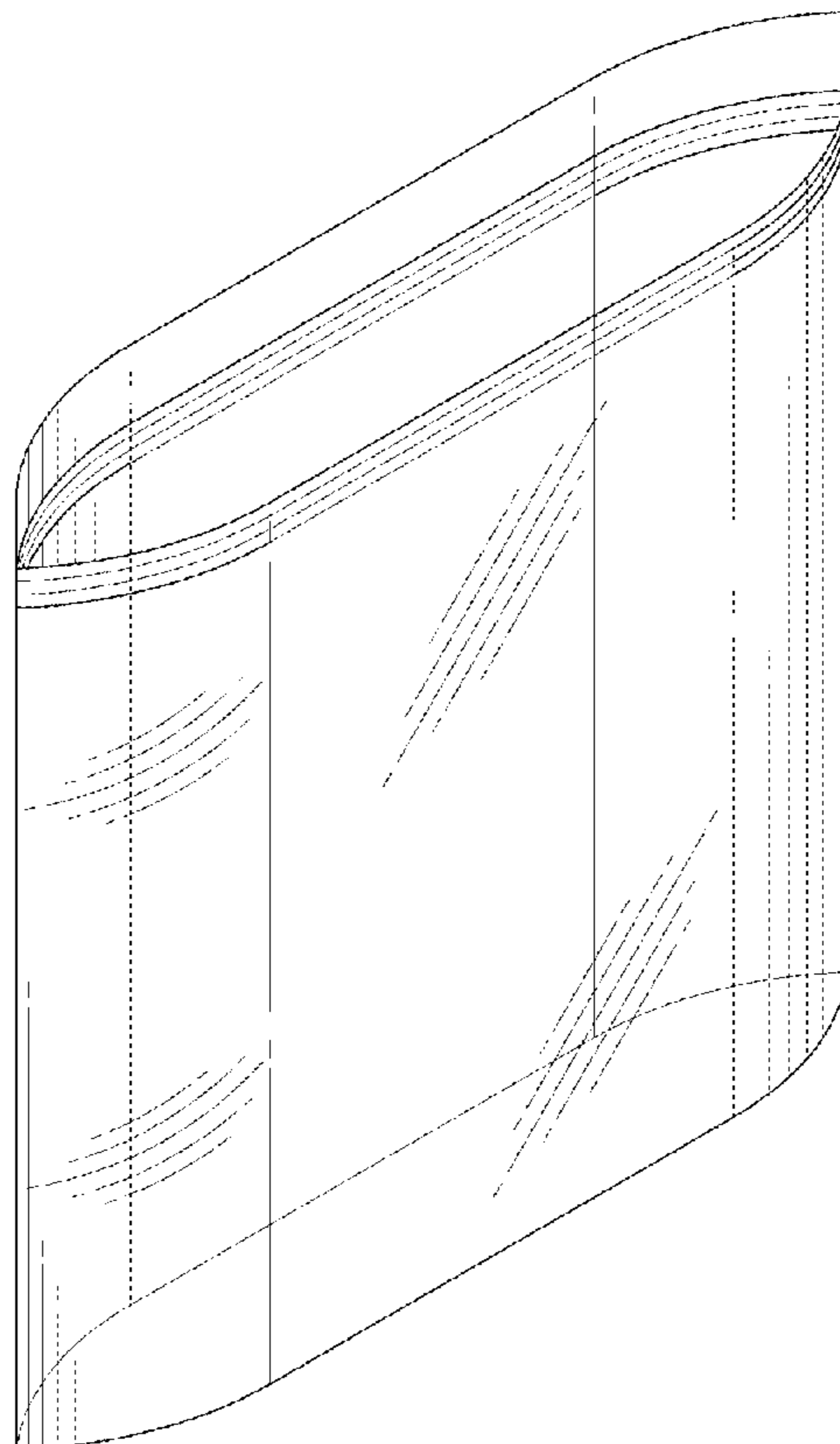
(57) **CLAIM**

The ornamental design for a shopping bag, as shown and described.

DESCRIPTION

FIG. 1 is a top front side perspective view of a shopping bag showing my new design;
FIG. 2 is a front view of the shopping bag;
FIG. 3 is a rear view of the shopping bag;
FIG. 4 is a top view of the shopping bag;
FIG. 5 is a bottom view of the shopping bag;
FIG. 6 is a left side view of the shopping bag; and,
FIG. 7 is a right side view of the shopping bag.

1 Claim, 3 Drawing Sheets



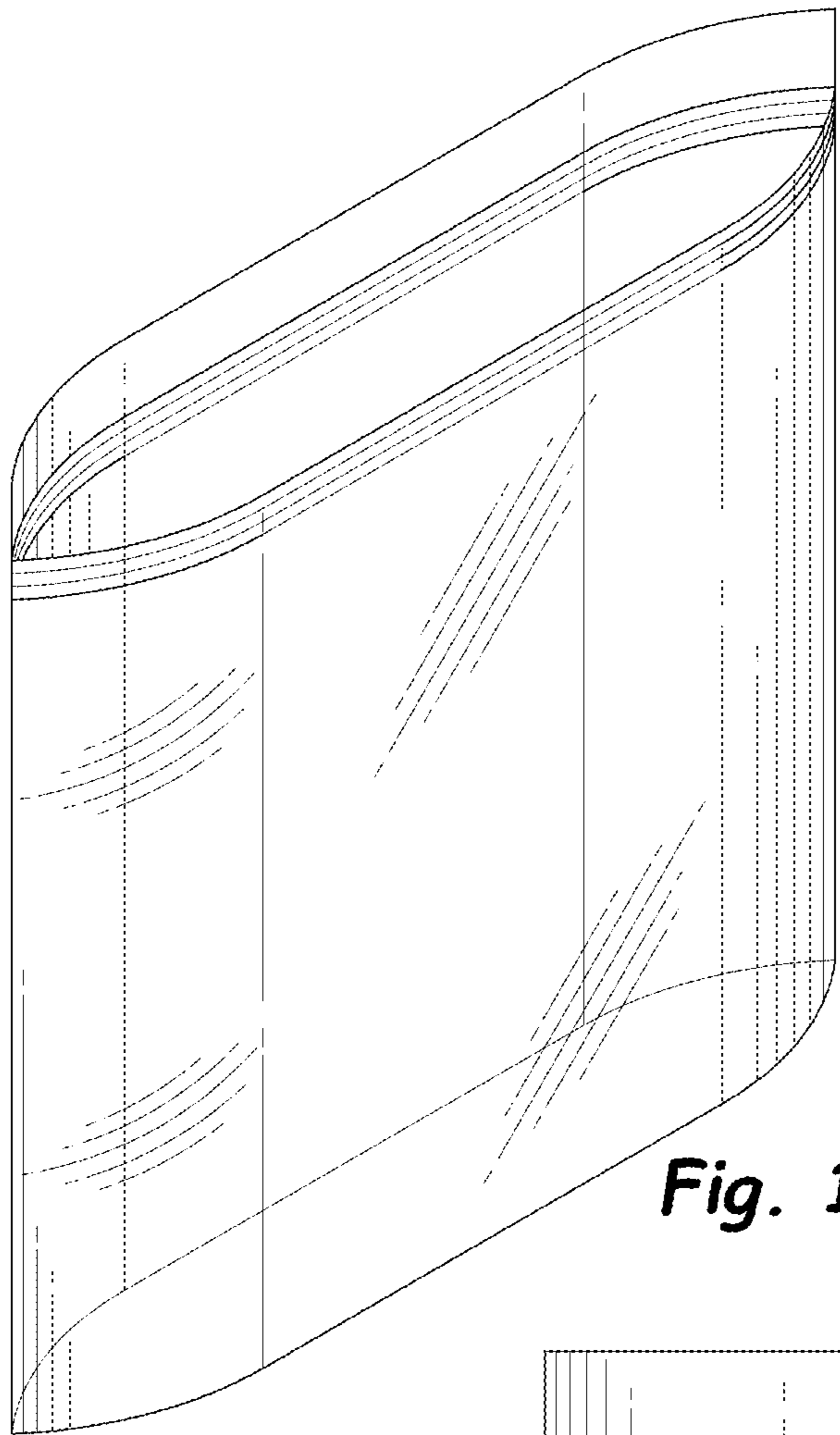


Fig. 1

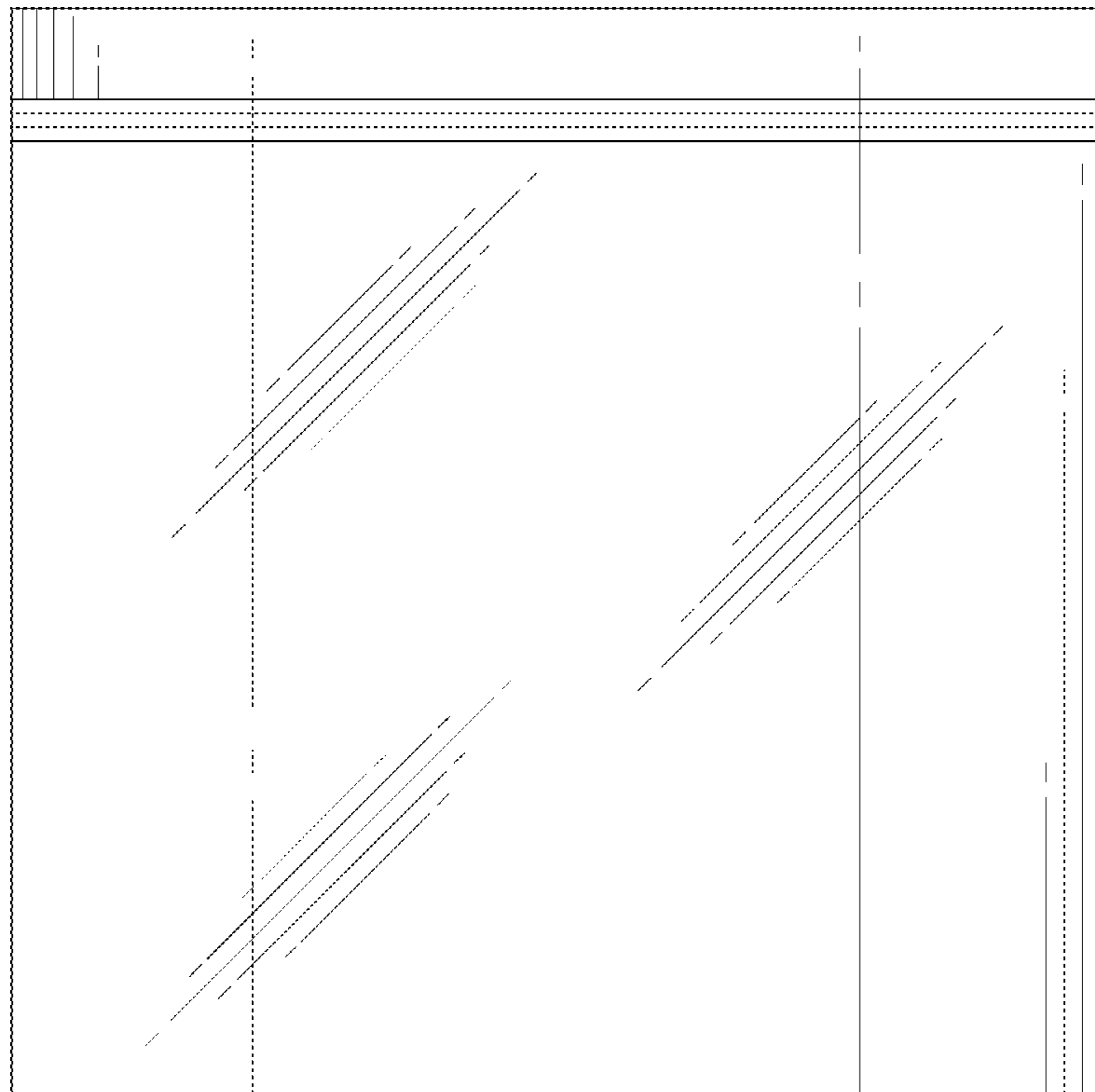


Fig. 2

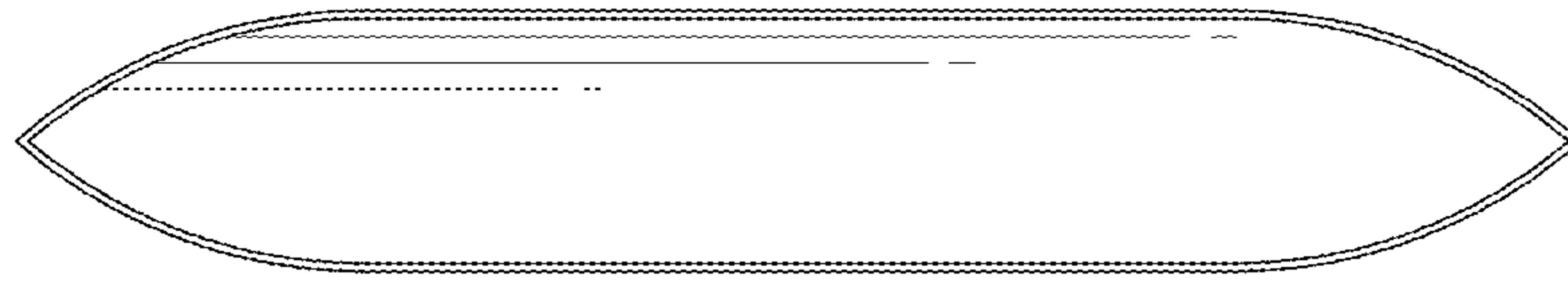


Fig. 4

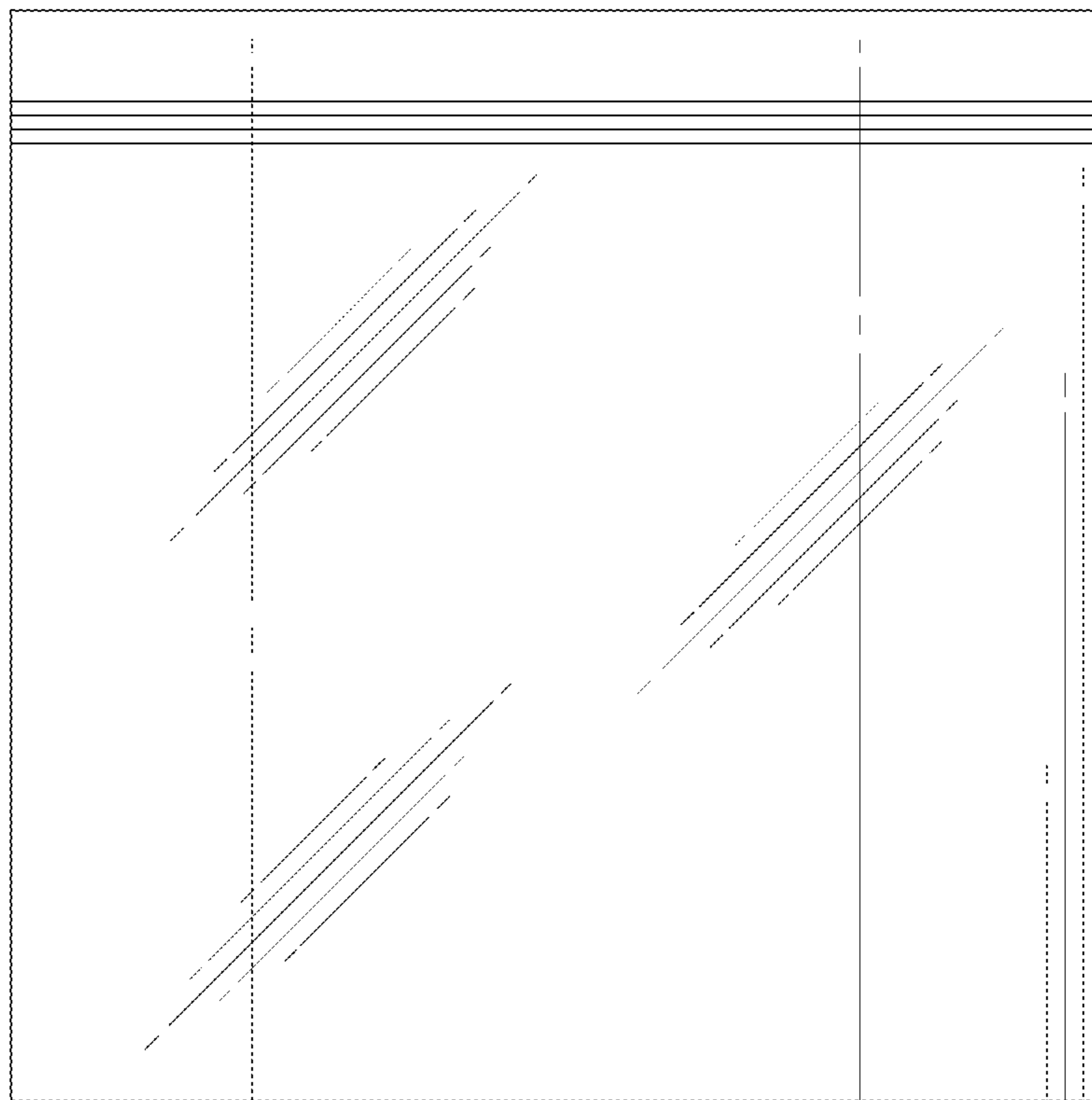


Fig. 3

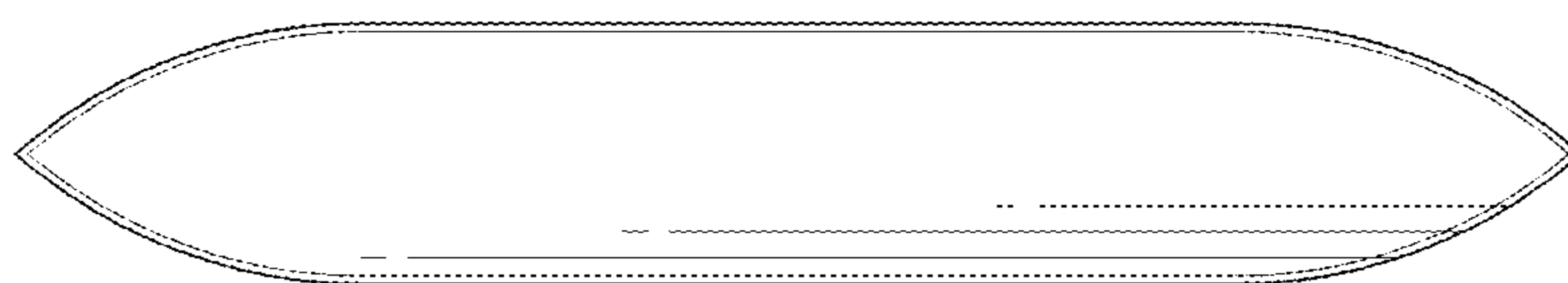


Fig. 5

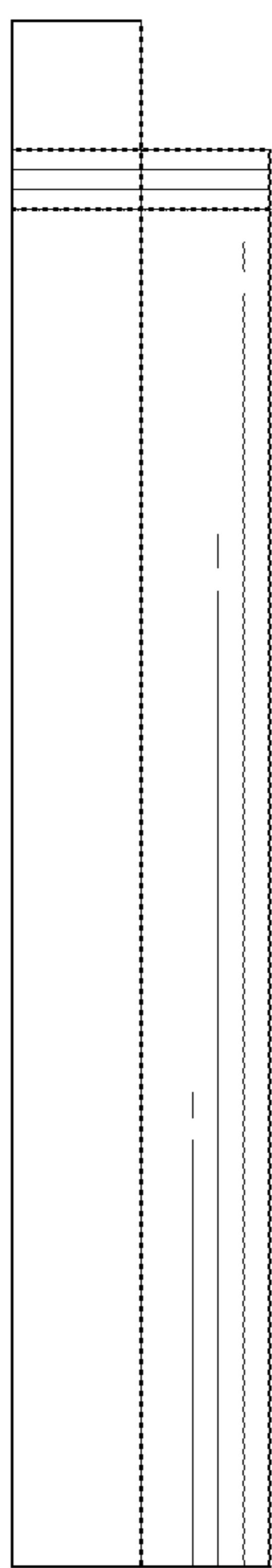


Fig. 6

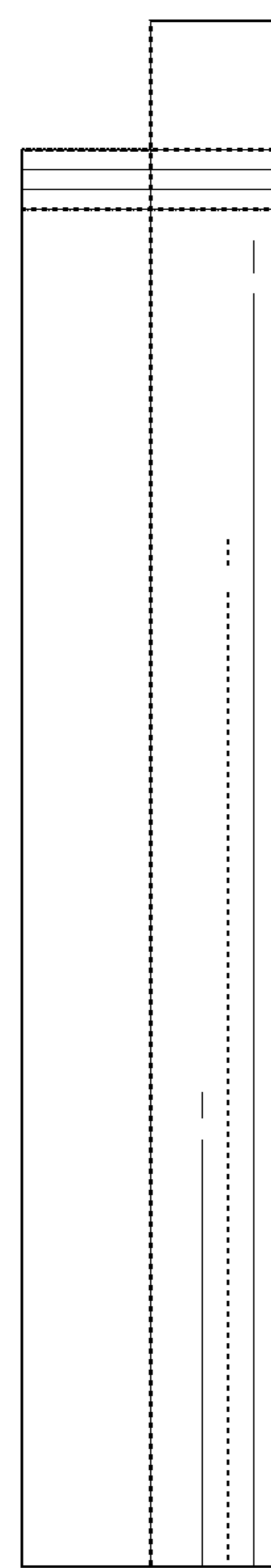


Fig. 7