



US00D987441S

(12) **United States Design Patent** (10) **Patent No.:** **US D987,441 S**
Kilburn et al. (45) **Date of Patent:** **** May 30, 2023**

(54) **CONTAINER WITH NOZZLE** D826,065 S * 8/2018 Kellman D9/503
D908,503 S * 1/2021 Sánchez D9/563
(71) Applicant: **Reckitt & Colman (Overseas)** D919,437 S * 5/2021 Davis D9/571
Hygiene Home Limited, Slough (GB) (Continued)

(72) Inventors: **Miles Kilburn, Warwick (GB); Stuart James King, Warwick (GB); David Sanders, Warwick (GB)**

FOREIGN PATENT DOCUMENTS

CN 216302022 U * 4/2022
GB 2023428 * 11/1992
KR 301143447 * 12/2021

(73) Assignee: **Reckitt & Colman (Overseas)**
Hygiene Home Limited, Slough (GB)

OTHER PUBLICATIONS

Neutrogena bottle. Date first available: 2011. Site visited: Jul. 27, 2022. Available online: <https://www.ulta.com/p/rapid-wrinkle-repair-moisturizer-spf-30-xlslmprod3190075> (Year: 2011).*

(**) Term: **15 Years**
(21) Appl. No.: **29/772,483**
(22) Filed: **Mar. 2, 2021**

(Continued)

(30) **Foreign Application Priority Data**

Primary Examiner — Catherine S Posthauer
Assistant Examiner — Joan E. Diehl
(74) *Attorney, Agent, or Firm* — Norris McLaughlin PA

Sep. 4, 2020 (EM) 008160873-0003

(51) **LOC (14) Cl.** **09-01**

(52) **U.S. Cl.**
USPC **D9/682**

(58) **Field of Classification Search**
USPC D9/682-694, 724, 448, 542, 435, 521,
D9/503, 571, 563; 222/320, 383.1;
D3/205; D6/542, 672, 676, 683
CPC B65D 1/00; B65D 83/38; B65D 83/28;
B65D 83/16; B65D 83/68
See application file for complete search history.

(57) **CLAIM**

The ornamental design for a container with nozzle, as shown and described.

(56) **References Cited**

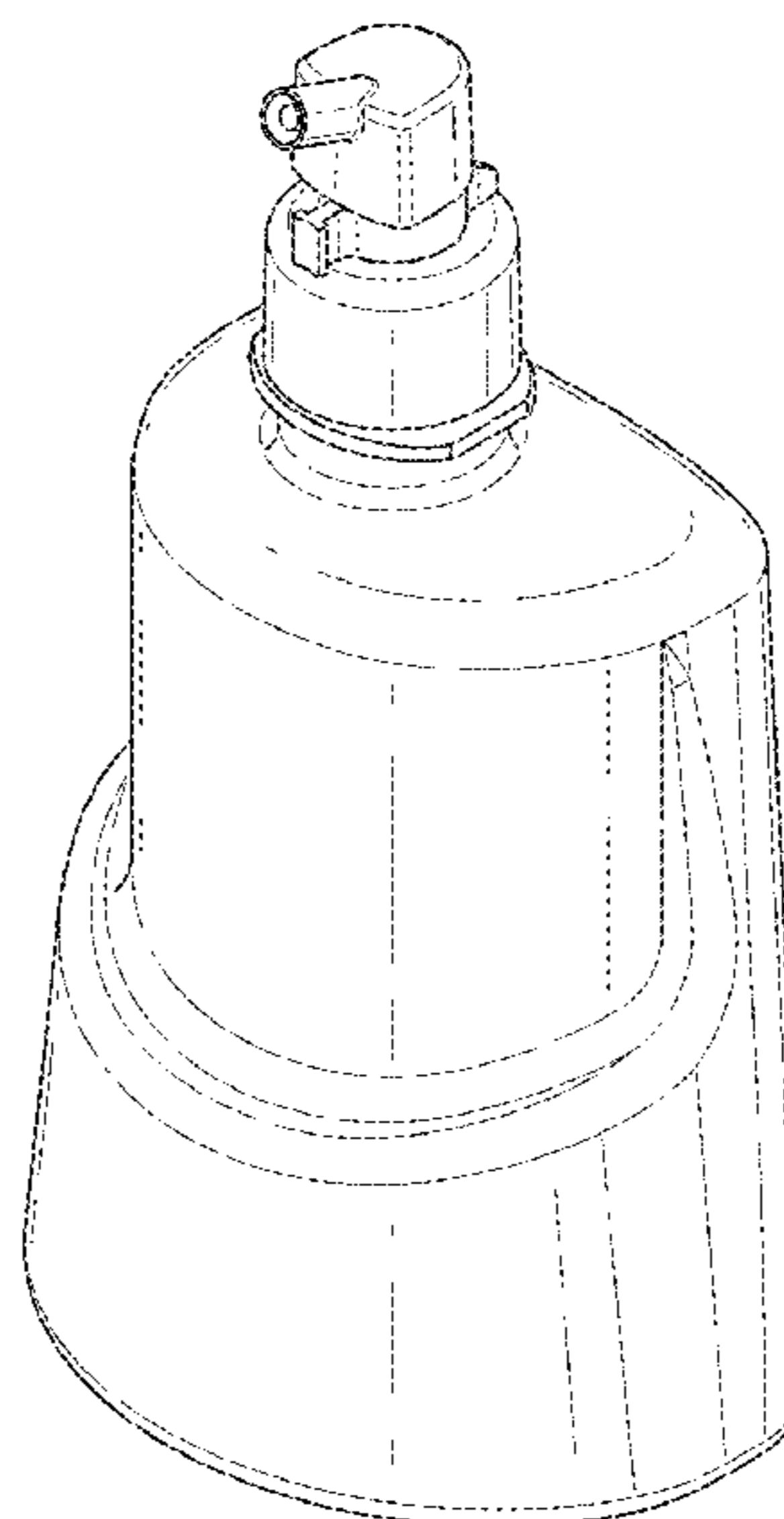
U.S. PATENT DOCUMENTS

D193,037 S * 6/1962 Harnage D9/448
D277,823 S * 3/1985 Harris D9/435
D323,984 S * 2/1992 Hamilton D9/542
D353,993 S * 1/1995 Weiss D9/521
D396,186 S * 7/1998 Fiore D9/687
D418,746 S * 1/2000 Featherston D9/682
D591,164 S * 4/2009 Ribadeneira Mejia D9/682
D632,585 S * 2/2011 Jebb D9/682

DESCRIPTION

FIG. 1 is a top perspective view of the container with nozzle; FIG. 2 is a front, elevation view thereof; FIG. 3 is a rear, elevation view thereof; FIG. 4 is a first side, elevation view thereof; FIG. 5 is a second side, elevation view thereof; FIG. 6 is a top, plan view thereof; and, FIG. 7 is a bottom, plan view thereof. The broken lines are shown for the purpose of illustrating parts of the article that form no part of the claimed design. The dot-dash lines represent the boundaries of the claim and form no part thereof.

1 Claim, 5 Drawing Sheets



(56)

References Cited

U.S. PATENT DOCUMENTS

2018/0162630 A1* 6/2018 Shimizu B65D 83/28

OTHER PUBLICATIONS

Jasai Antique Design Soap Dispenser. Date first available: Jun. 1, 2020. Site visited: Jul. 27, 2022. Available online: https://www.amazon.com/JASAI-Dispenser-Stainless-Refillable-Stickers/dp/B08614C33K/ref=sr_1_23 (Year: 2020).*

* cited by examiner

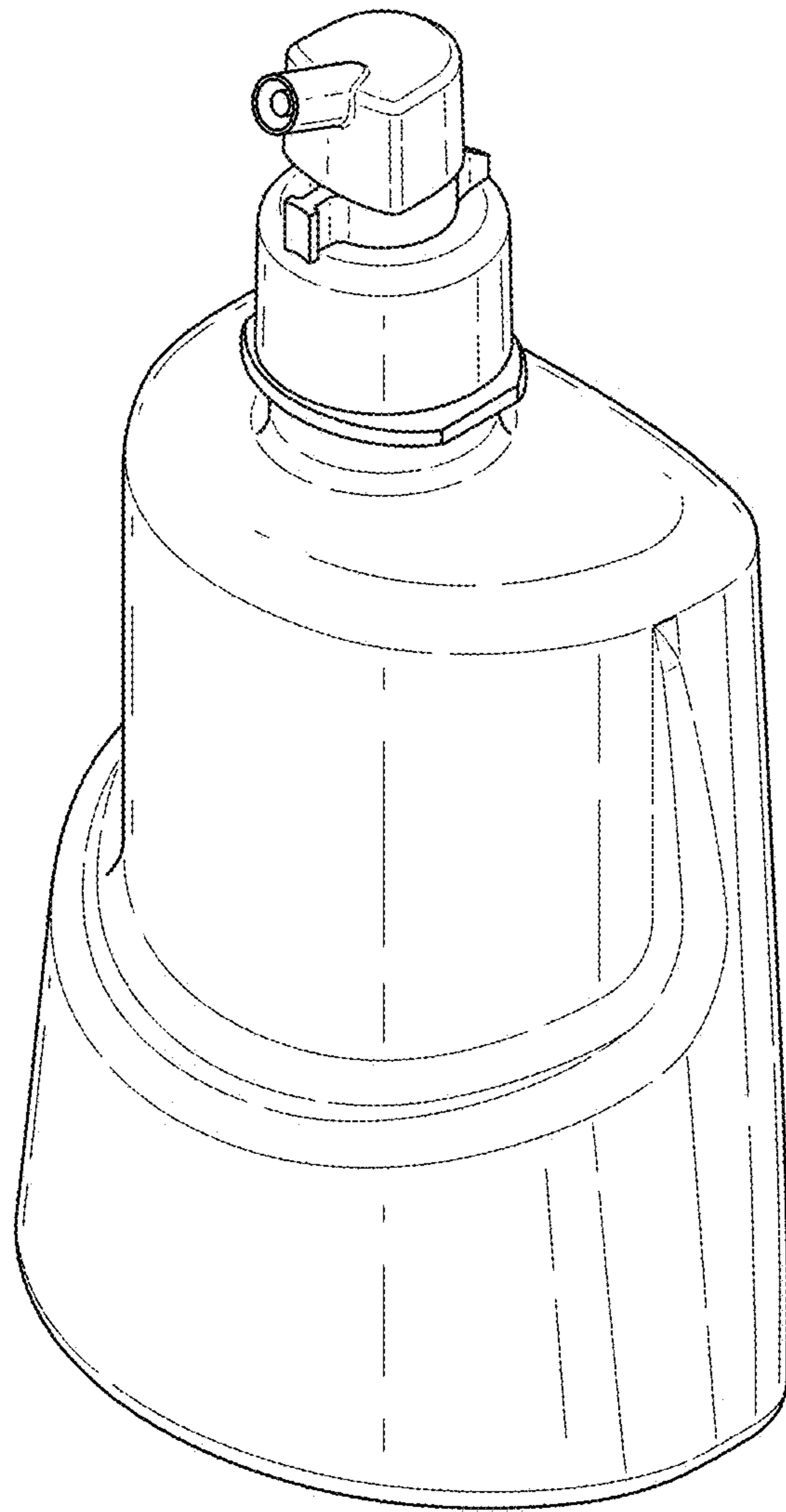


Fig. 1

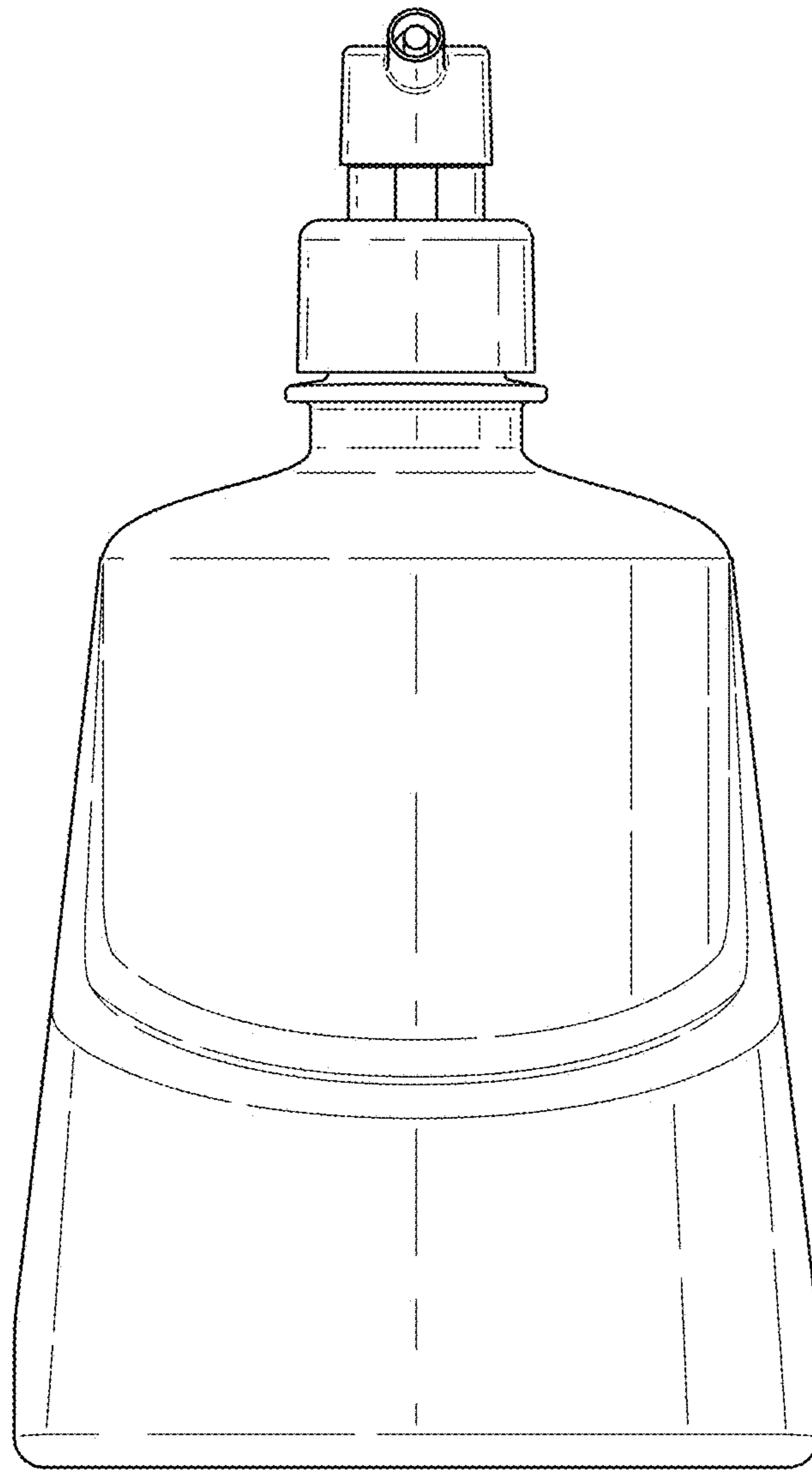


Fig. 2

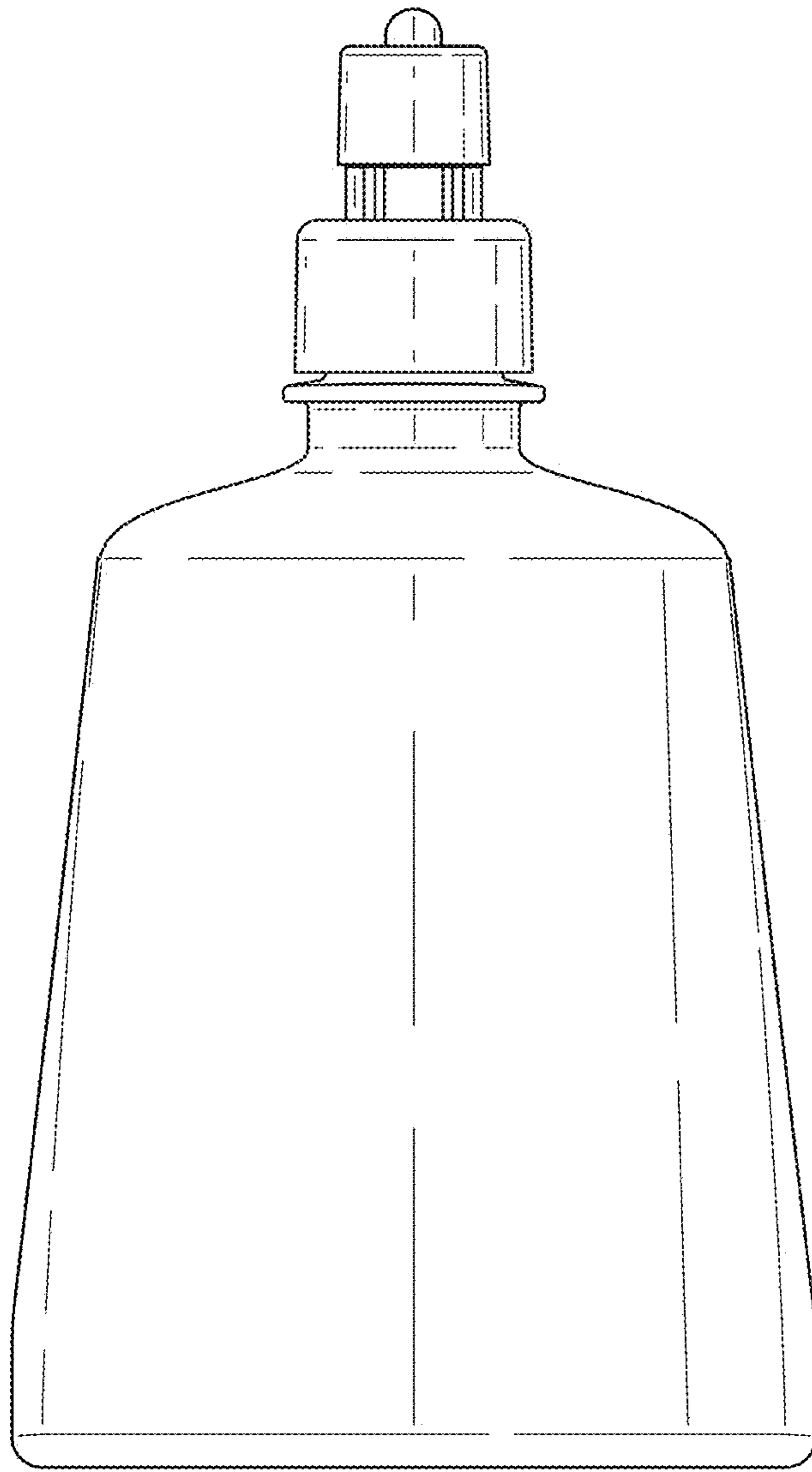


Fig. 3

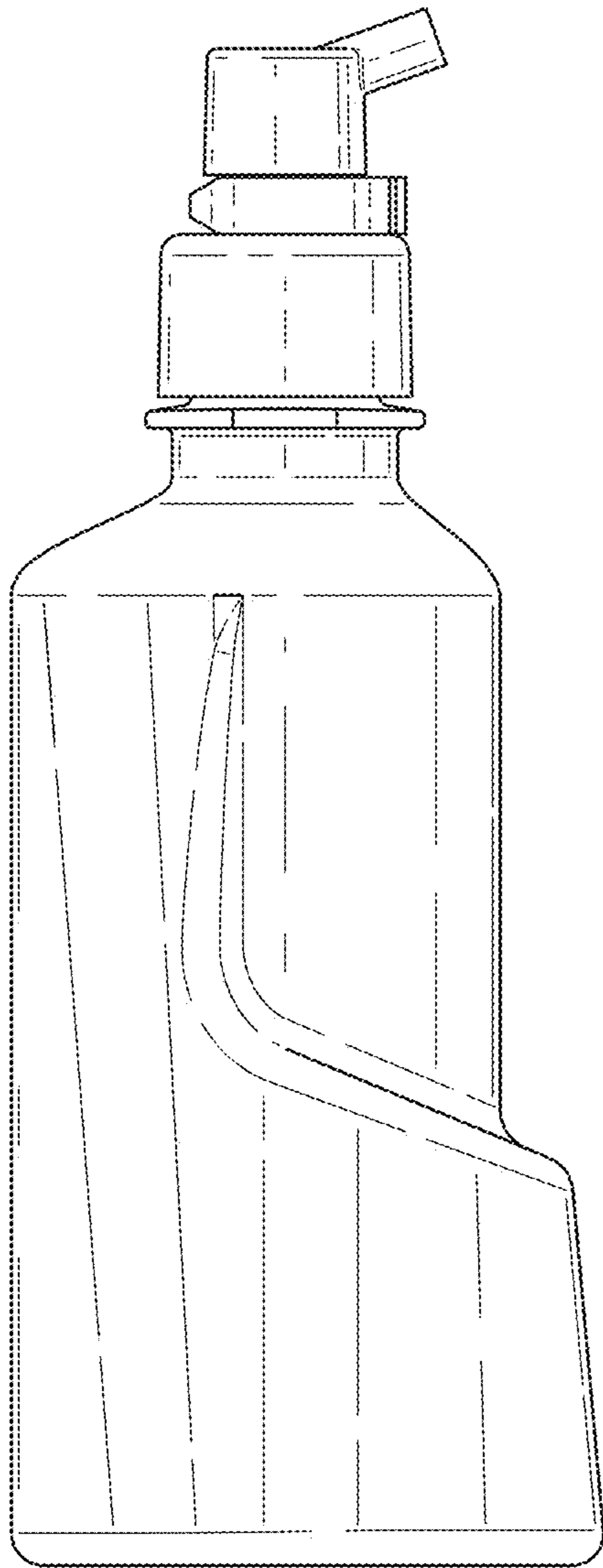


Fig. 4

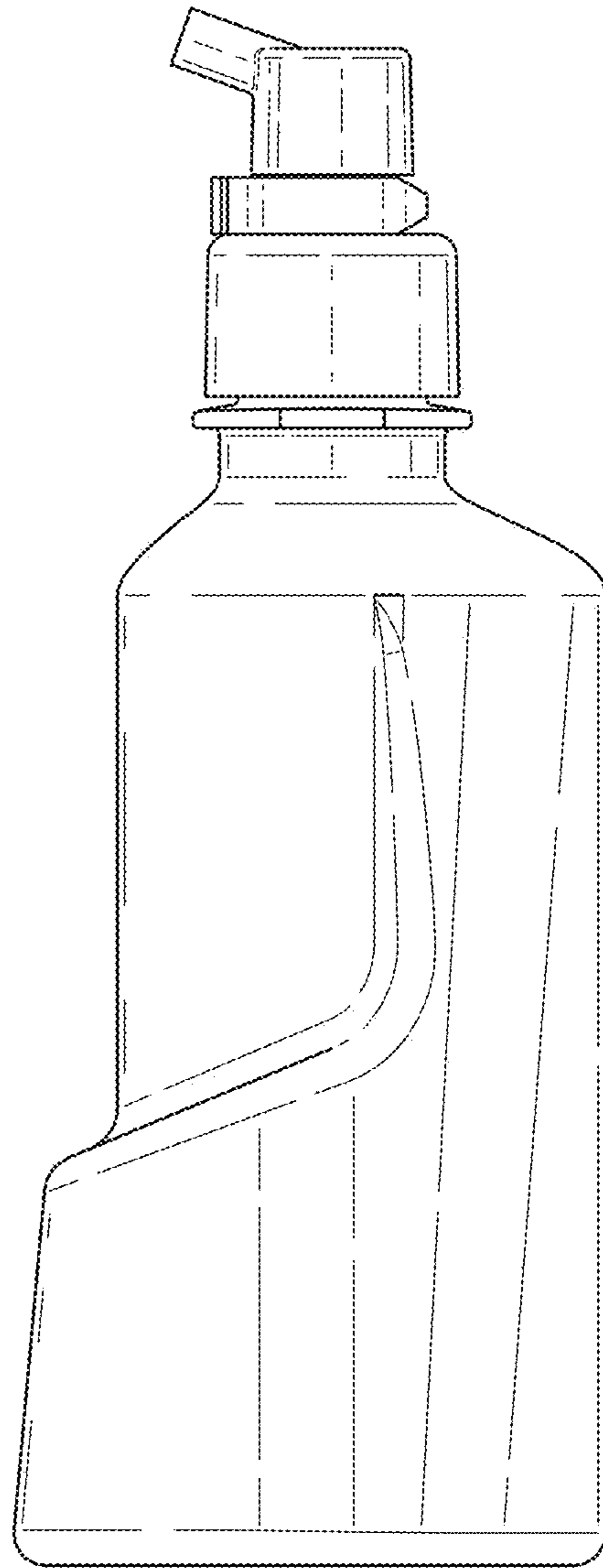


Fig. 5

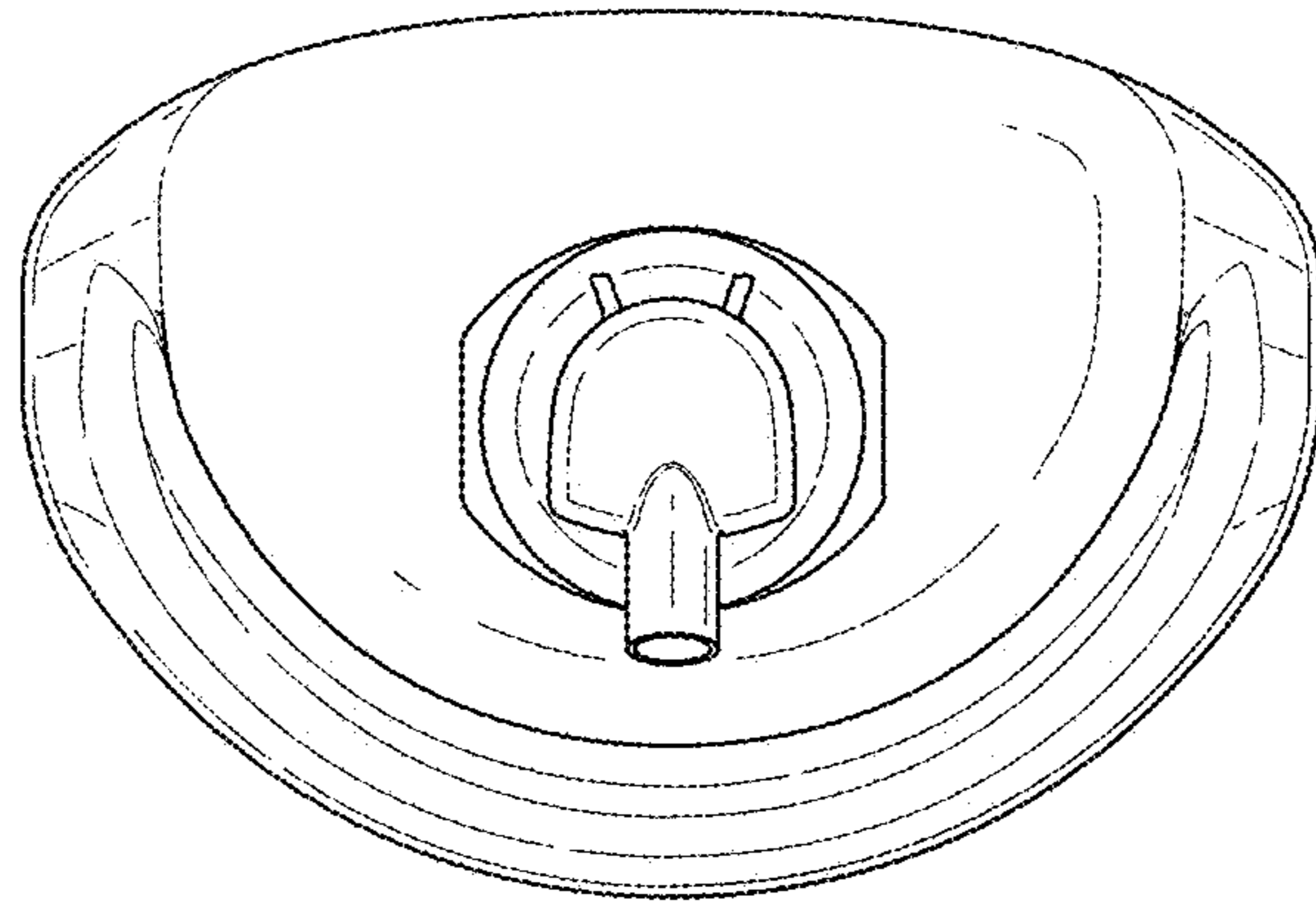


Fig. 6

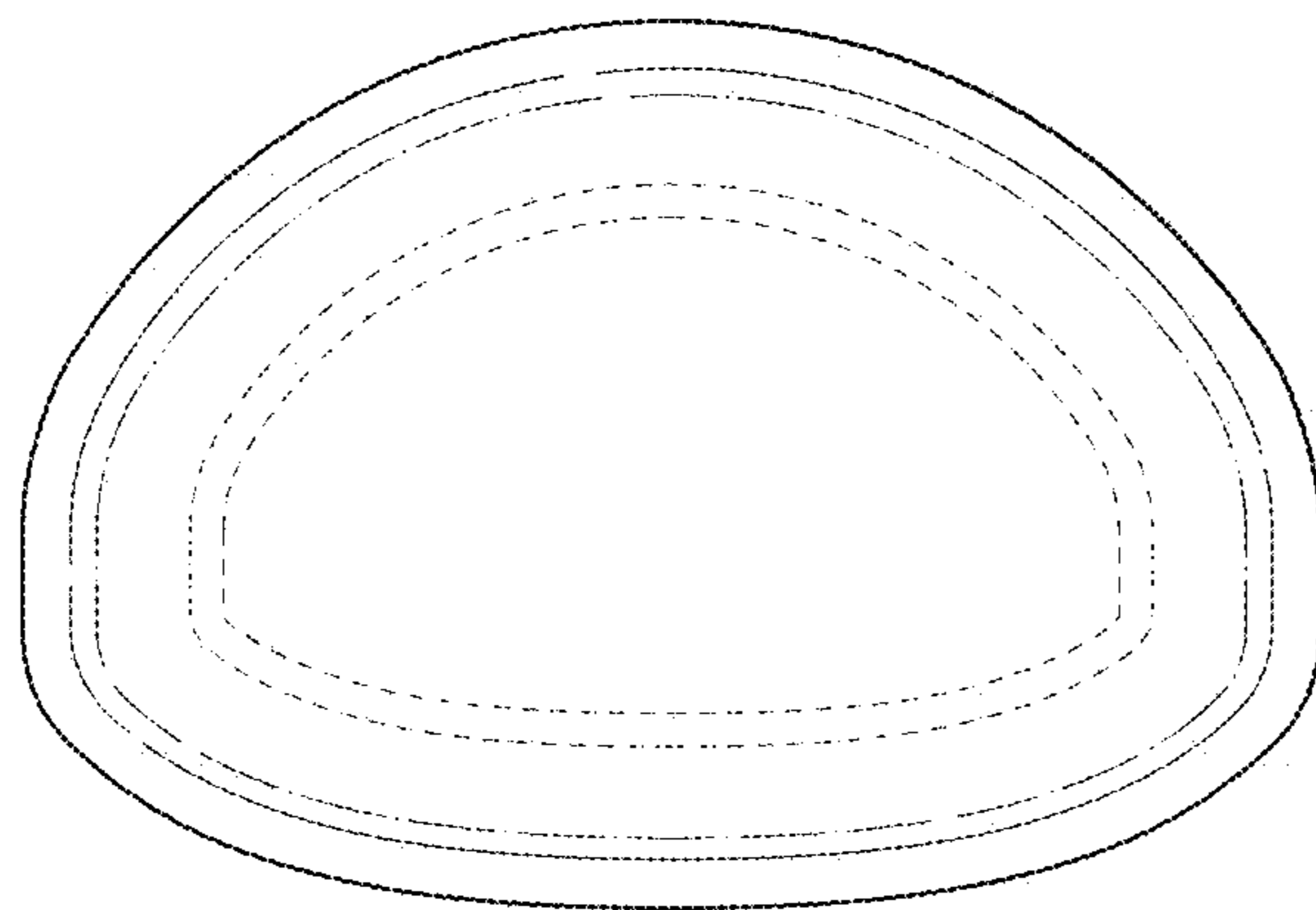


Fig. 7