



US00D987440S

(12) **United States Design Patent** (10) **Patent No.:** **US D987,440 S**
Vivas (45) **Date of Patent:** **** May 30, 2023**

(54) **PERFUME BOTTLE**
(71) Applicant: **Penhaligon's Limited**, London (GB)
(72) Inventor: **Josep Vivas**, Barcelona (ES)
(73) Assignee: **PENHLIGON'S LIMITED**, London (GB)

D485,522 S * 1/2004 Ohm D12/193
D488,589 S * 4/2004 Yang D29/126
D673,449 S * 1/2013 Lee D9/451
D694,487 S * 12/2013 Stelly D2/505
D769,714 S * 10/2016 Koza D9/434
D798,150 S * 9/2017 Vivas D9/503
D798,151 S * 9/2017 Vivas D9/503

(Continued)

(**) Term: **15 Years**
(21) Appl. No.: **29/783,098**
(22) Filed: **May 11, 2021**

(30) **Foreign Application Priority Data**

Nov. 12, 2020 (EM) 008267470-0001

(51) **LOC (14) Cl.** **09-07**

(52) **U.S. Cl.**
USPC **D9/605; D9/451**

(58) **Field of Classification Search**
USPC D9/434, 435, 436, 439, 441, 447, 451,
D9/499, 600, 601, 605, 607, 448, 449,
D9/620; D11/157, 158; D3/270, 271.1,
D3/271.4; D7/392.1, 510, 514-520, 599,
D7/604, 613, 619.2, 623, 628

CPC A63H 33/16; B65D 67/00; B65D 2203/02;
B65D 5/60; B65D 5/365; B65D 5/366;
B65D 5/368; B65D 5/42; B65D 5/4258

See application file for complete search history.

(56) **References Cited**

U.S. PATENT DOCUMENTS

D18,457 S * 7/1888 Atterbury D7/539
D64,697 S * 5/1924 Wahl D9/605
D267,934 S * 2/1983 Heap D11/158
D285,051 S * 8/1986 Heriard-Dubreuil D21/615
D299,695 S * 2/1989 Hine D11/158
D442,133 S * 5/2001 Meza D12/204
D468,672 S * 1/2003 Wang D12/193
D474,724 S * 5/2003 Wang D12/193

OTHER PUBLICATIONS

Youtube. New Penhaligon's X Portraits Fragrance Review! The World According to Arthur, Smoke Incense Perfume. Published Mar. 19, 2022 by "Beauty Meow." Visited Jul. 15, 2022. <https://www.youtube.com/watch?v=so3tZQzEWeY> (Year: 2022).*

(Continued)

Primary Examiner — Darcey E Gottschalk

Assistant Examiner — Vanessa M. Pursley

(74) *Attorney, Agent, or Firm* — FisherBroyles, LLP;
Jason M. Pass

(57) **CLAIM**

I claim the ornamental design for a perfume bottle, as shown and described.

DESCRIPTION

FIG. 1 is an exploded front perspective view of a perfume bottle with the cap removed from the bottle, according to my design;

FIG. 2 is a front view of the perfume bottle of FIG. 1, shown with the cap situated on the bottle;

FIG. 3 is a right side view thereof;

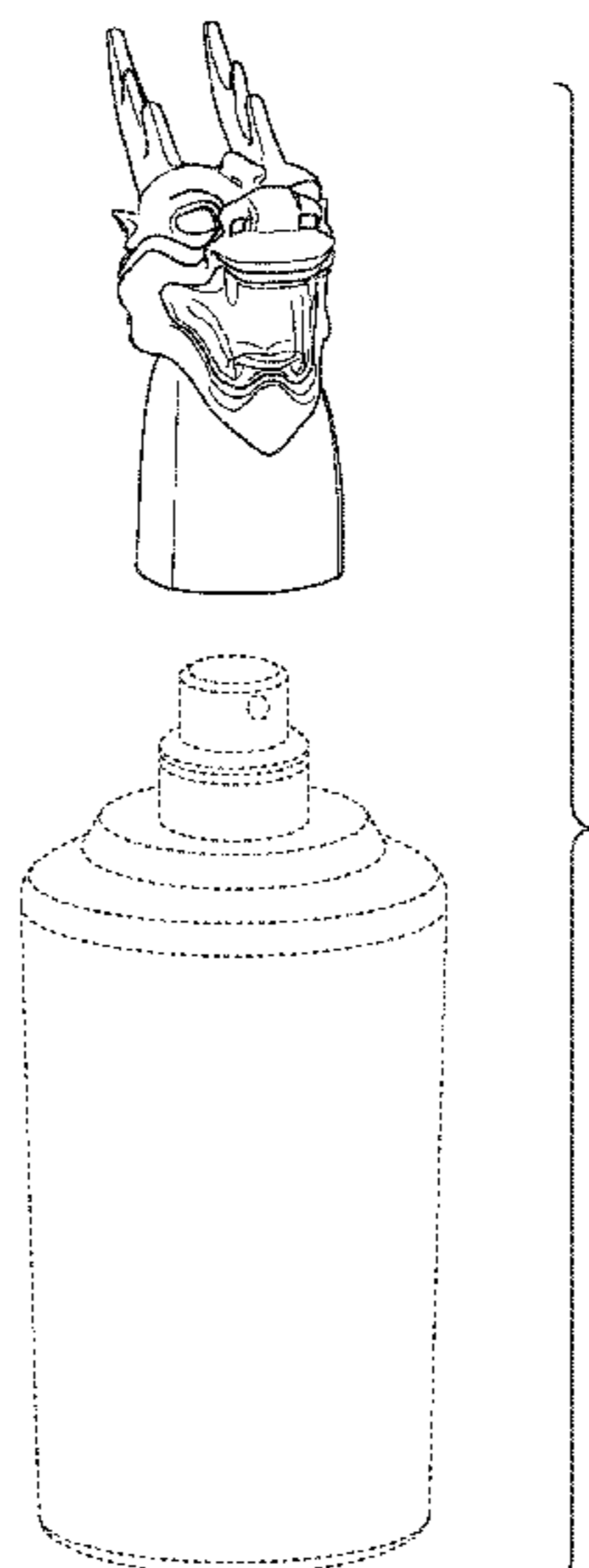
FIG. 4 is a left side view thereof;

FIG. 5 is a rear view thereof; and,

FIG. 6 is a top view thereof.

The broken lines shown in the drawings illustrate portions of the perfume bottle that form no part of the claimed design. The bottom portion of the perfume bottle forms no part of the claimed design and is hereby disclaimed.

1 Claim, 6 Drawing Sheets



(56)

References Cited

U.S. PATENT DOCUMENTS

D798,152	S	*	9/2017	Vivas	D9/503
D798,153	S	*	9/2017	Vivas	D9/503
D834,415	S	*	11/2018	Luther	D9/451
D848,769	S	*	5/2019	Green	D6/665
D852,053	S	*	6/2019	Kimm	D9/620
D869,949	S	*	12/2019	Vivas	D9/608
D872,583	S	*	1/2020	Vivas	D9/451
D872,584	S	*	1/2020	Vivas	D9/451
D872,585	S	*	1/2020	Vivas	D9/451
D872,586	S	*	1/2020	Vivas	D9/451
D872,587	S	*	1/2020	Vivas	D9/604
D872,588	S	*	1/2020	Vivas	D9/451
D872,589	S	*	1/2020	Vivas	D9/451
D872,590	S	*	1/2020	Vivas	D9/451
D942,272	S	*	2/2022	Frankcomb	D9/439
D953,162	S	*	5/2022	Bamber	D9/451

OTHER PUBLICATIONS

Fragrantica. Penhaligon's The World According to Arthur. Published Jan. 18, 2022 by Miguel Matos. Visited Jul. 15, 2022. <https://www.fragrantica.com/news/Penhaligon-s-The-World-According-to-Arthur-16025.html> (Year: 2022).*

Made-in-China. Custom Metal Dragon Bottle Cap Synthetic Wine Bottle Stopper Bottle Cap. Publication date unavailable. Visited Jul. 15, 2022. <https://jweetbottle.en.made-in-china.com/product/dwNEMclDrYkp/China-Custom-Metal-Dragon-Bottle-Cap-Synthetic-Wine-Bottle-Stopper-Bottle-Cap.html> (Year: 0).*

LBC Modern. Imm Living "Best Years" Wine Stoppers—Black. Publication date unavailable. Visited Jul. 15, 2022. <https://www.lbcmodern.com/collections/best-sellers/products/imm-living-best-years-wine-stoppers-black?variant=43371151818> (Year: 0).*

* cited by examiner

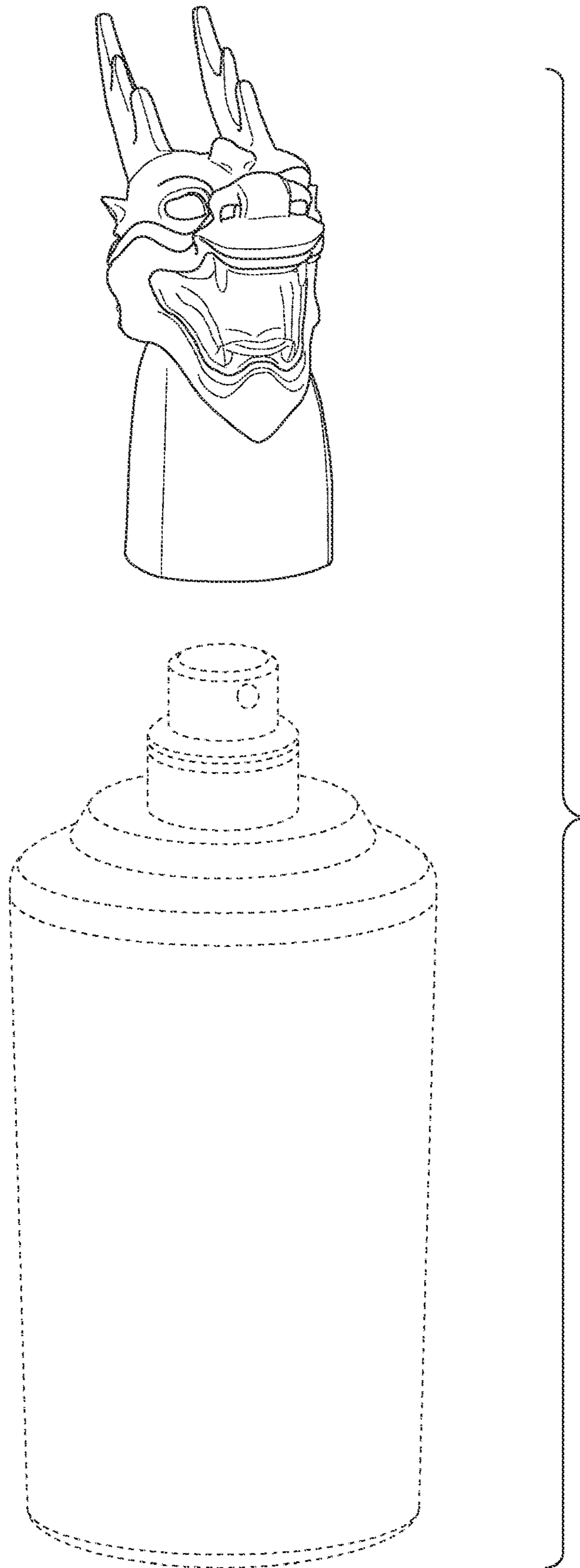


FIG. 1

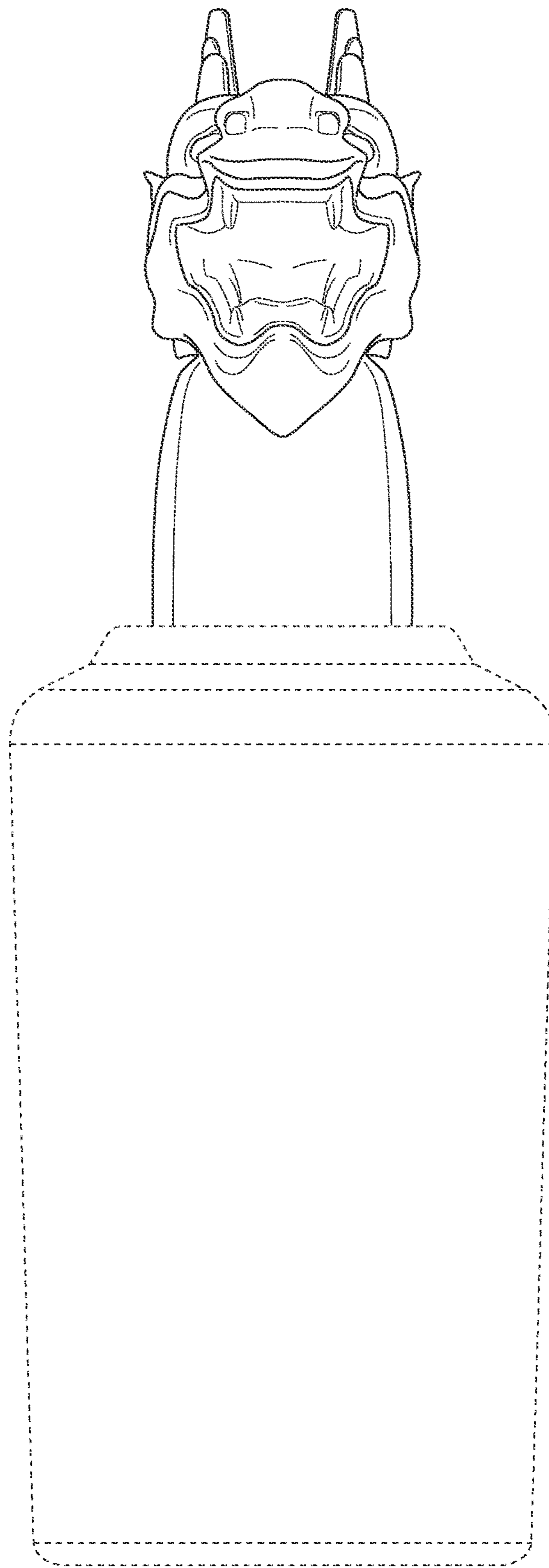


FIG. 2

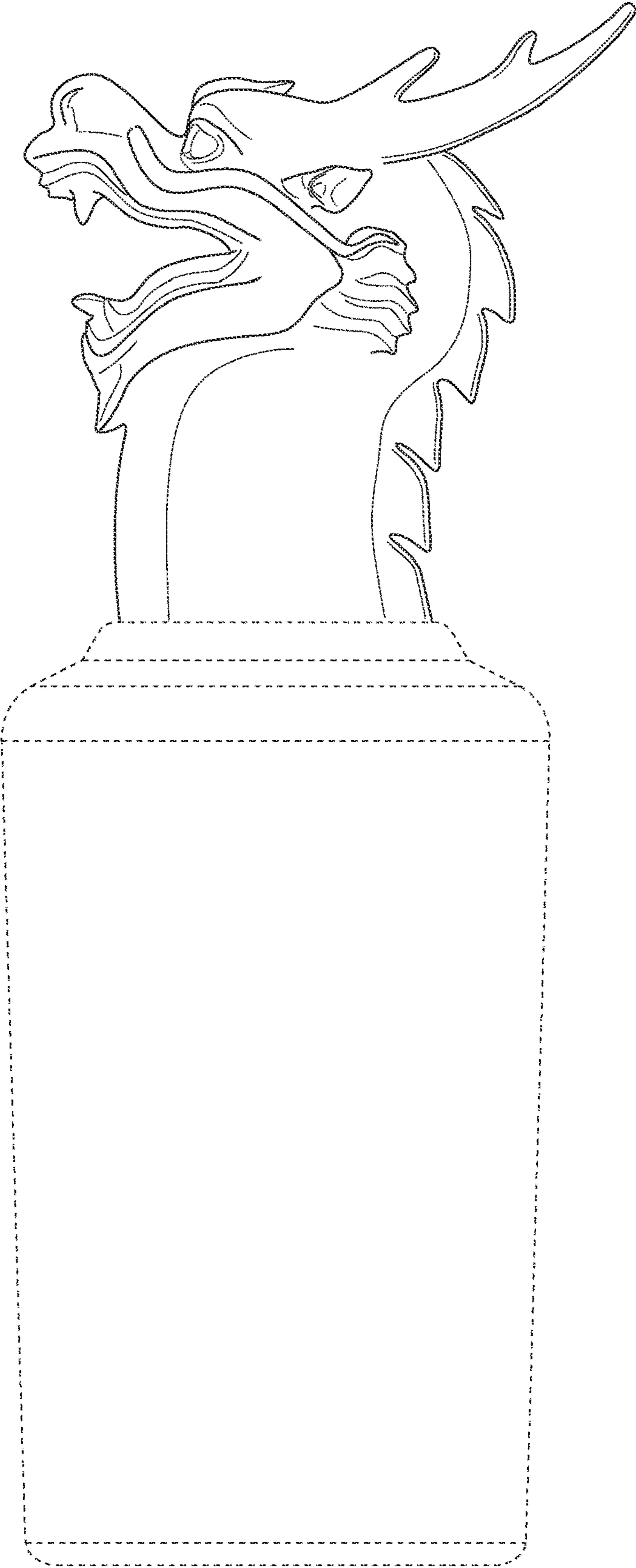


FIG. 3

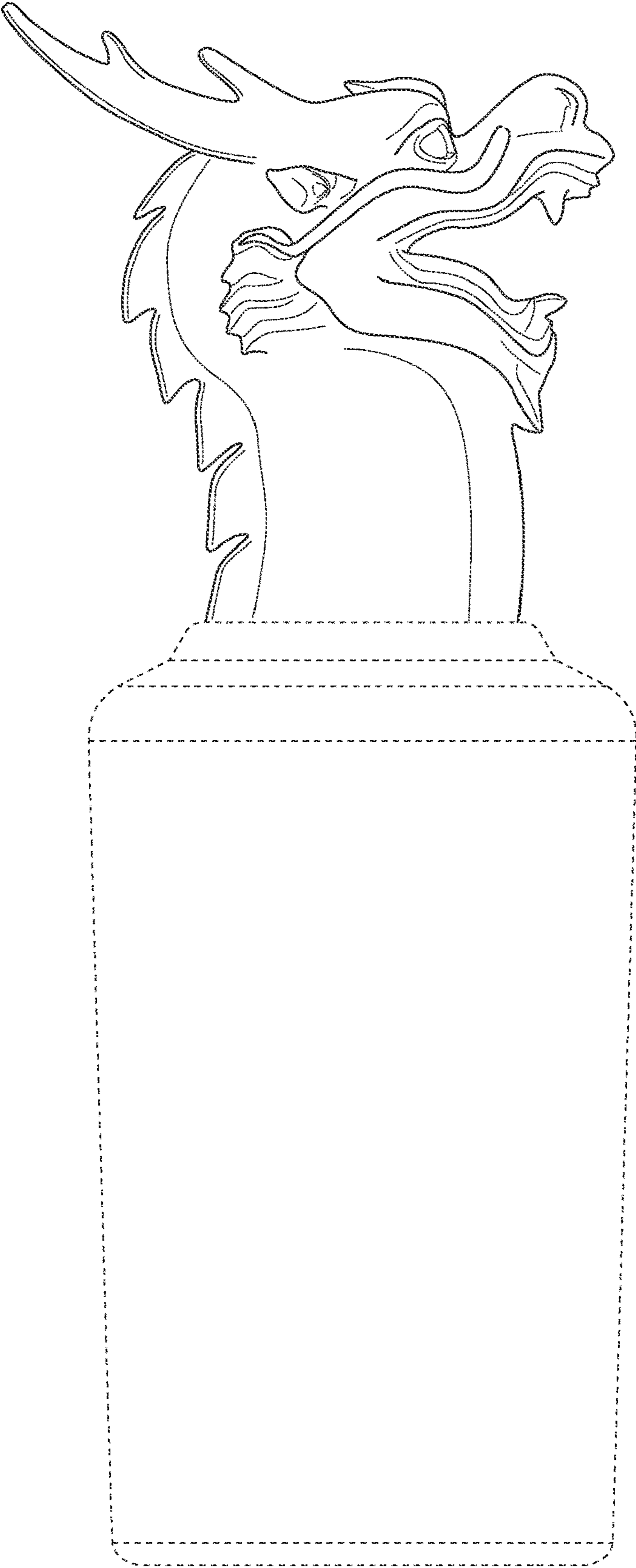


FIG. 4

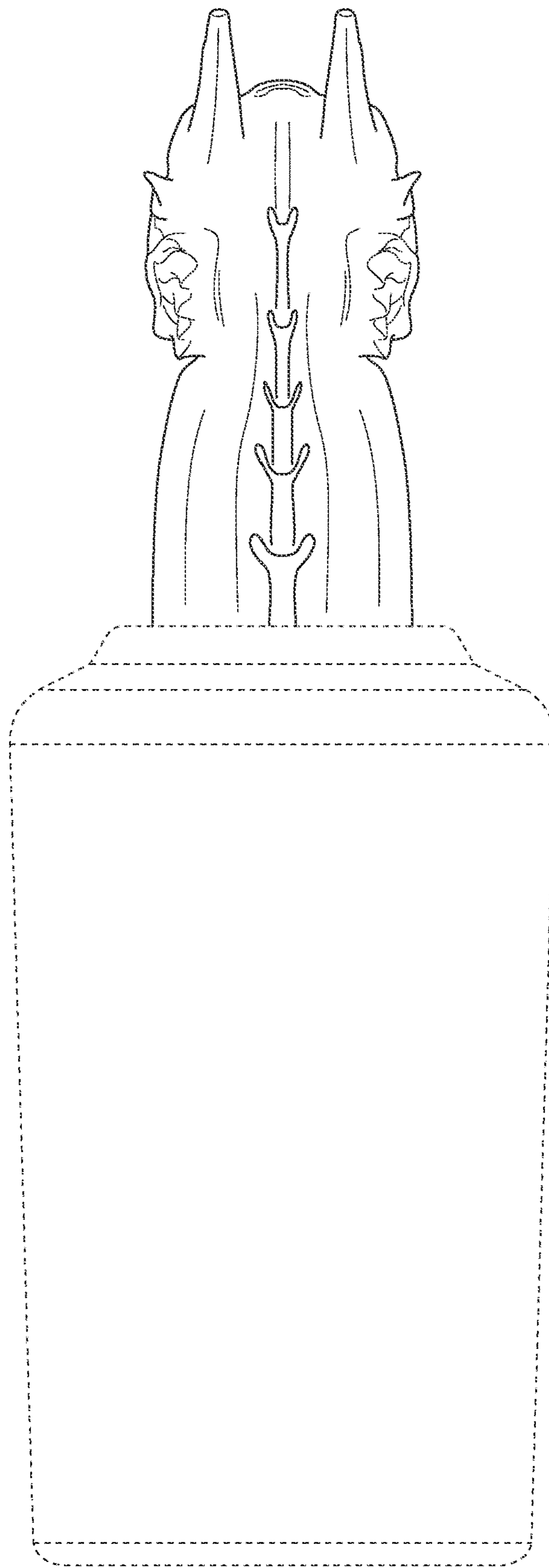


FIG. 5

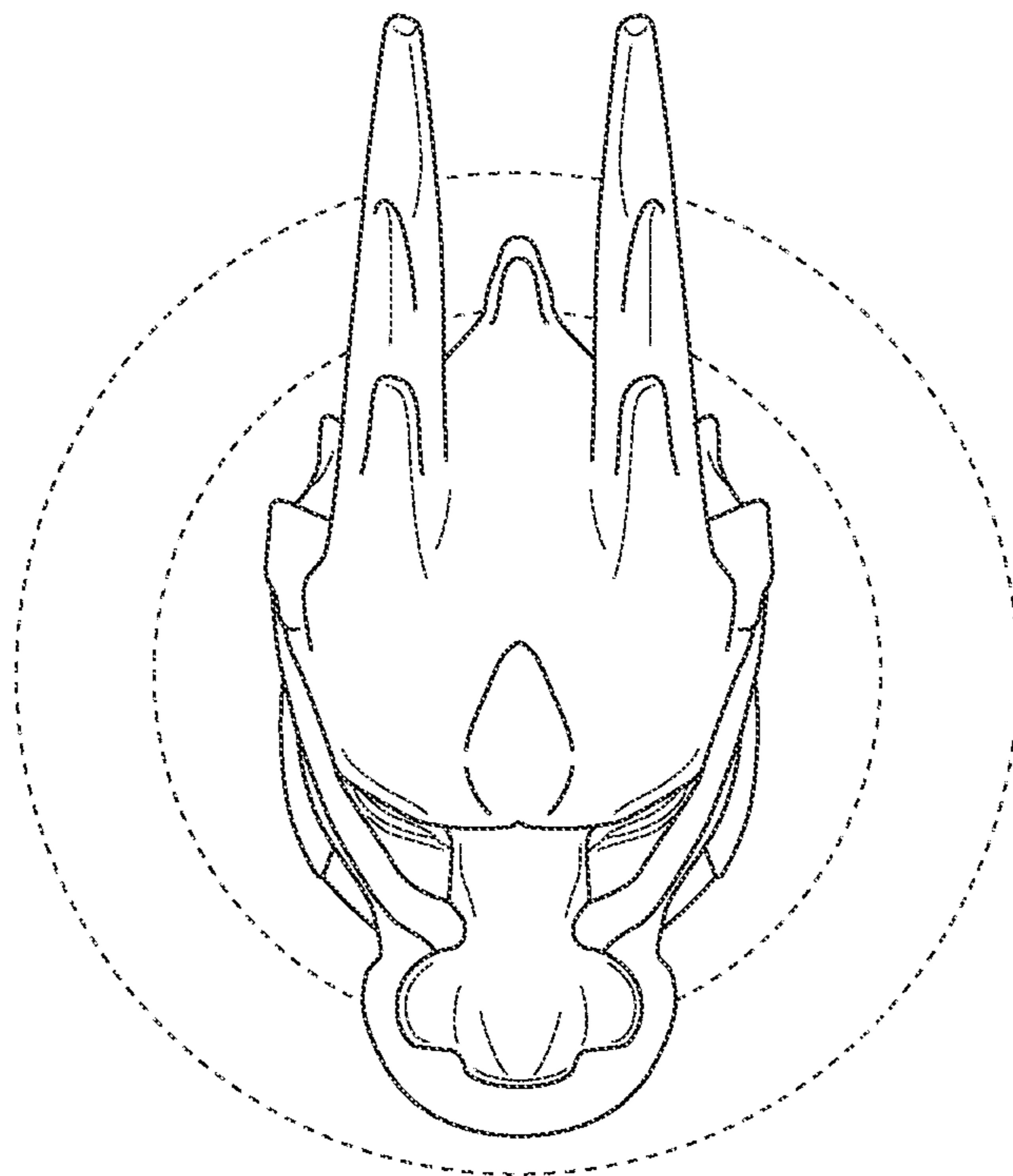


FIG. 6