



US00D987439S

(12) **United States Design Patent** (10) **Patent No.:** **US D987,439 S**  
**Fell et al.** (45) **Date of Patent:** **\*\* May 30, 2023**

(54) **BOTTLE**  
(71) Applicant: **Diageo Brands B.V.**, Amsterdam (NL)  
(72) Inventors: **Andrew Fell**, Amsterdam (NL); **Ann Chen**, Amsterdam (NL); **Nicolas Johnson**, Amsterdam (NL)  
(73) Assignee: **Diageo Brands B.V.**, Amsterdam (NL)  
(\*\*) Term: **15 Years**  
(21) Appl. No.: **29/734,325**  
(22) Filed: **May 11, 2020**

**Related U.S. Application Data**

(63) Continuation of application No. 35/506,214, filed on Jun. 12, 2018 (U.S. filing date under 35 U.S.C. 384), and having an international filing date of Jun. 12, 2018, now Pat. No. Des. 886,626.

(30) **Foreign Application Priority Data**

Dec. 12, 2017 (EM) ..... 004543965  
Dec. 14, 2017 (EM) ..... 004548030

(51) **LOC (14) Cl.** ..... **09-01**  
(52) **U.S. Cl.**  
USPC ..... **D9/574**

(58) **Field of Classification Search**  
USPC ..... D9/574, 560, 571, 546, 544, 452, 432, D9/520, 453, 449, 563, 535; D11/2; D3/203.2; D24/224  
CPC ..... B65D 41/045; B65D 5/4204; A61L 9/013  
See application file for complete search history.

(56) **References Cited**

**U.S. PATENT DOCUMENTS**

1,611,443 A \* 12/1926 Hothersall ..... B65D 41/045  
222/548  
3,437,194 A \* 4/1969 Ames ..... B65D 5/4204  
D24/224

D387,668 S 12/1997 Bond  
D452,455 S \* 12/2001 Rimes ..... D11/2  
D454,502 S \* 3/2002 Legros ..... D9/544  
D475,296 S 6/2003 Lee  
D481,957 S \* 11/2003 Modjeski ..... D9/571  
D494,476 S \* 8/2004 Cwynar-Laska ..... D9/560  
D515,940 S \* 2/2006 Kratko ..... D9/560  
D536,256 S 2/2007 Nagata  
D539,651 S \* 4/2007 Snyder ..... D9/449  
D551,084 S \* 9/2007 Kottbauer ..... D9/563  
D579,784 S \* 10/2007 Barbagli ..... D9/535  
D580,773 S 11/2008 Rica  
D603,716 S \* 11/2009 Rica ..... D9/560  
D612,739 S 3/2010 Delbon  
D613,177 S \* 4/2010 Lee ..... D9/520  
D622,602 S 8/2010 Potts  
D627,656 S \* 11/2010 Wendt ..... D9/520  
D635,031 S \* 3/2011 Themann ..... D9/520  
D658,062 S 4/2012 Kim et al.  
D676,331 S 2/2013 Hartford

(Continued)

*Primary Examiner* — Rhea Shields

(74) *Attorney, Agent, or Firm* — Morgan, Lewis & Bockius LLP

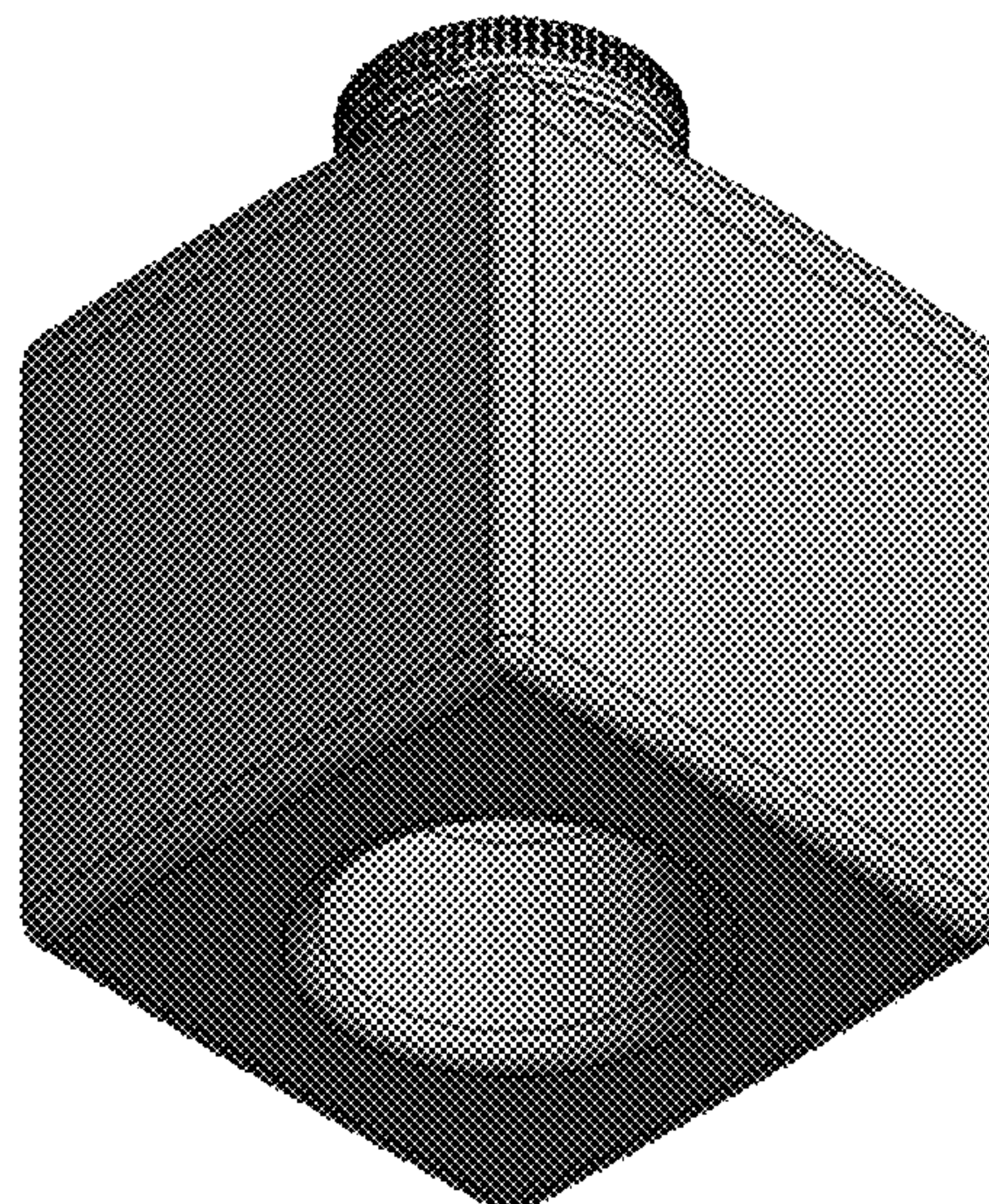
(57) **CLAIM**

The ornamental design for a bottle, as shown and described.

**DESCRIPTION**

FIG. 1 is a front elevational view of a bottle showing our new design;  
FIG. 2 is a rear elevational view thereof;  
FIG. 3 is a top plan view thereof;  
FIG. 4 is a bottom plan view thereof;  
FIG. 5 is a bottom perspective view thereof; and,  
FIG. 6 is a top perspective view thereof.

**1 Claim, 6 Drawing Sheets**



(56)

**References Cited**

U.S. PATENT DOCUMENTS

D682,681	S *	5/2013	Oxer .....	D9/432
D696,958	S *	1/2014	Rex .....	D9/453
D705,074	S *	5/2014	Della Valle .....	D9/560
D724,438	S *	3/2015	Gaydon .....	D9/544
D727,162	S *	4/2015	Gaydon .....	D9/544
D756,627	S *	5/2016	Lande .....	D3/203.2
D756,776	S *	5/2016	Orset .....	D9/452
D761,008	S *	7/2016	Lande .....	D3/203.2
D773,316	S	12/2016	Liu	
D773,939	S	12/2016	Liu	
D779,956	S	2/2017	Ring et al.	
D782,772	S	3/2017	Crane	
D784,820	S	4/2017	Kuzma et al.	
D795,076	S	8/2017	Andran	
10,183,779	B2	1/2019	Yourist	
D842,703	S	3/2019	Lam	
D849,547	S	5/2019	Howell et al.	
D854,937	S	7/2019	Li	
D857,513	S	8/2019	Cannamela et al.	
D863,972	S	10/2019	Staab	
D863,973	S	10/2019	Staab	
D870,560	S *	12/2019	Yoshioka .....	D9/560
D873,142	S *	1/2020	Jones .....	D9/560
11,235,909	B2 *	2/2022	Smith .....	A61L 9/013

\* cited by examiner





FIG. 1



FIG. 2



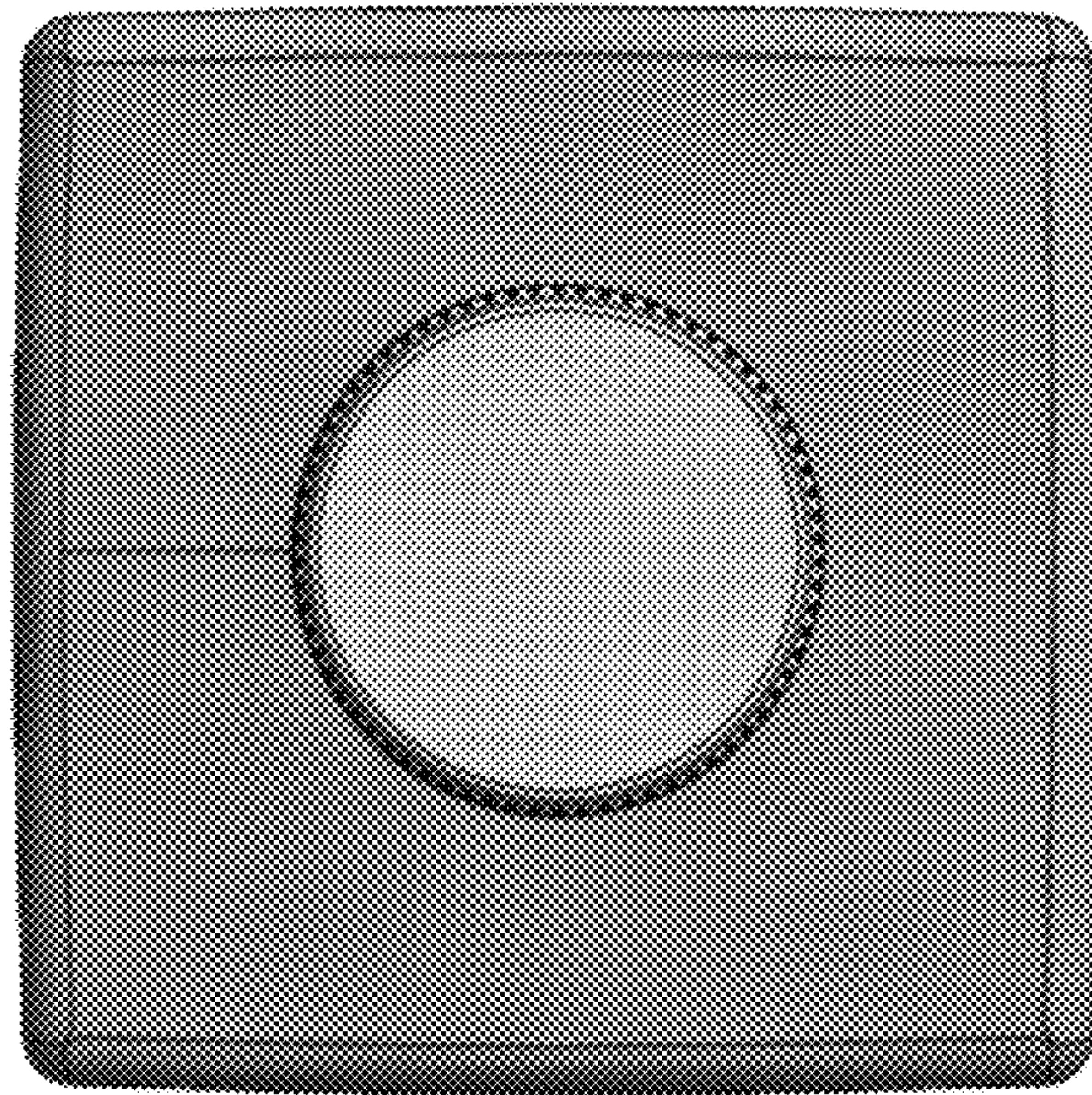


FIG. 3

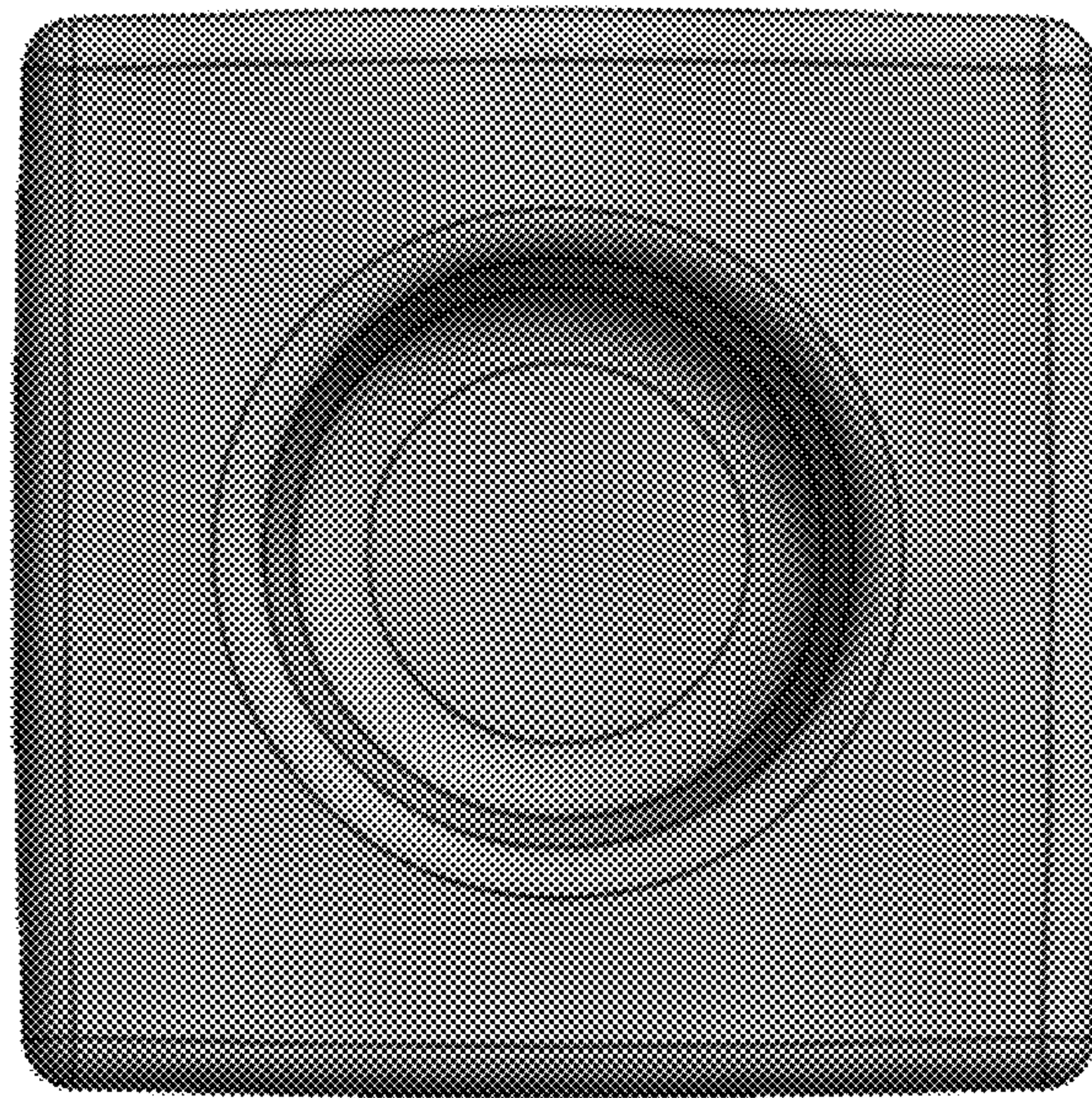


FIG. 4



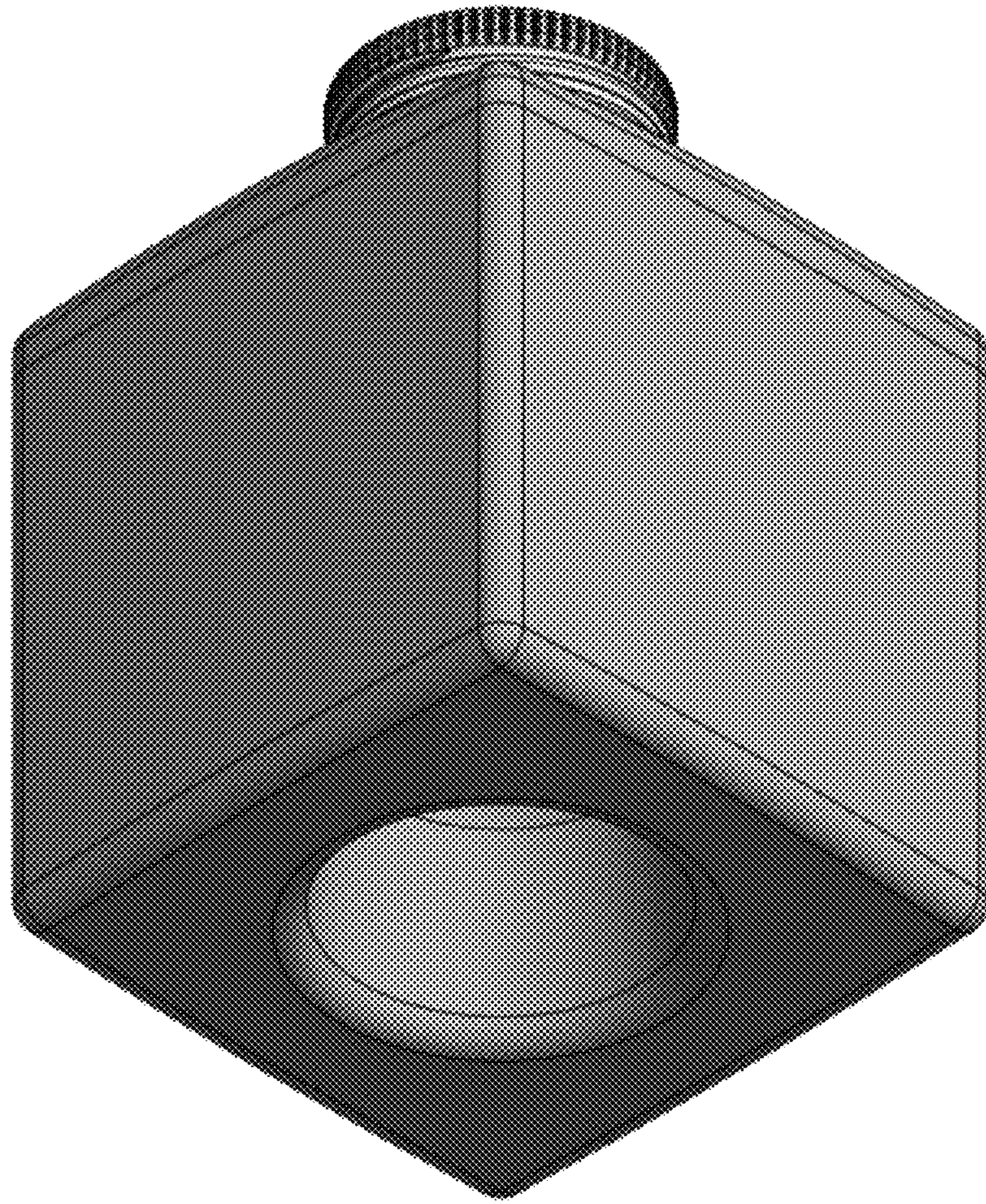


FIG. 5



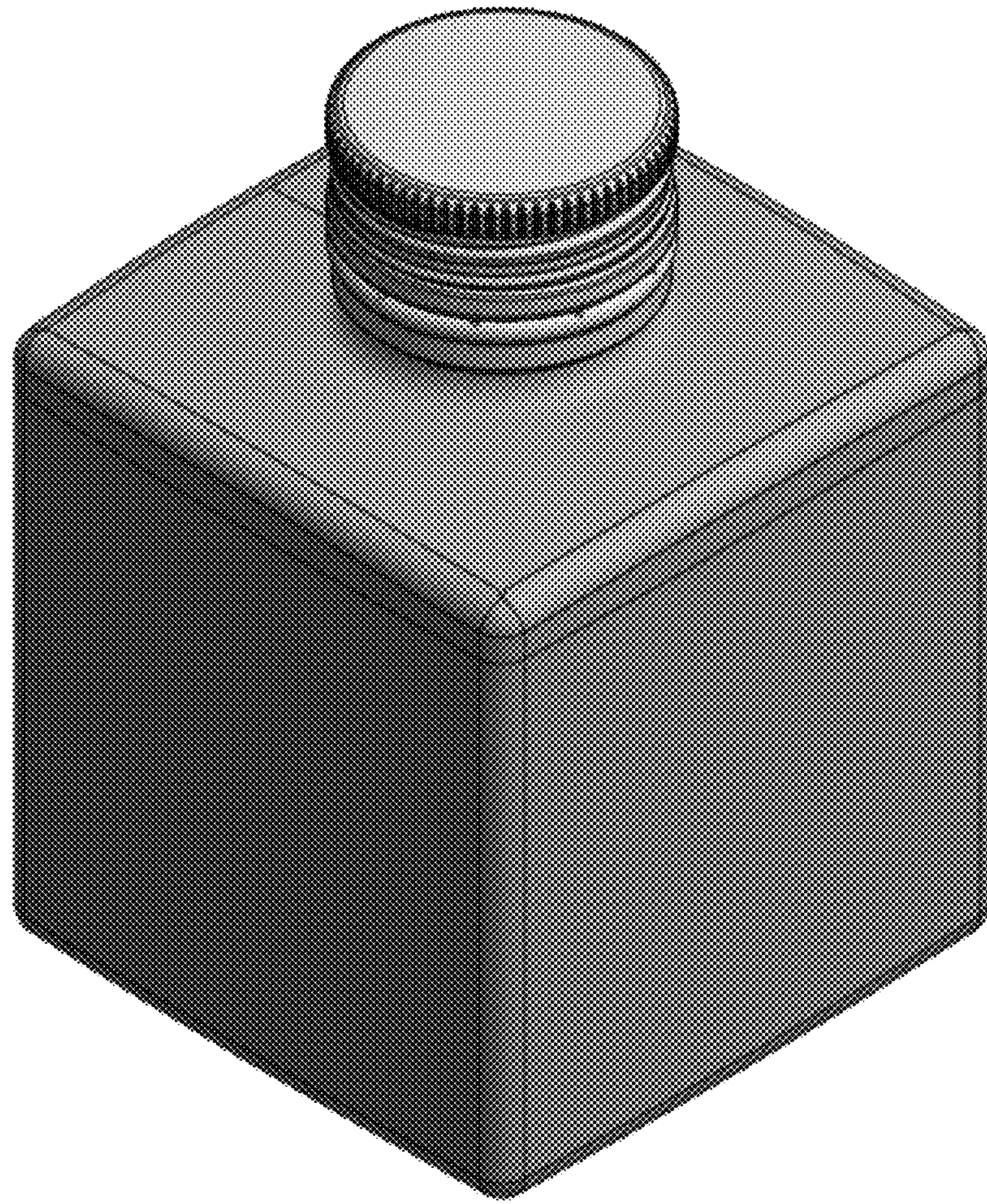


FIG. 6