



US00D987438S

(12) **United States Design Patent** (10) **Patent No.:** **US D987,438 S**  
**Marcilly** (45) **Date of Patent:** **\*\* May 30, 2023**

(54) **COSMETICS CONTAINER**  
(71) Applicant: **BIO THERM**, Monaco (MC)  
(72) Inventor: **Dimitri Marcilly**, Paris (FR)  
(73) Assignee: **BIO THERM**, Monaco (MC)  
(\*\*) Term: **15 Years**

D793,236 S \* 8/2017 Santos ..... D9/503  
D830,638 S \* 10/2018 Teller ..... D9/519  
D835,996 S \* 12/2018 Otani ..... D28/82  
D909,206 S \* 2/2021 Lee ..... D9/503

(Continued)

**FOREIGN PATENT DOCUMENTS**

EP 1338520 A1 \* 8/2003 ..... A45D 40/0068  
WO WO-2006089620 A1 \* 8/2006 ..... A45D 40/0068

**OTHER PUBLICATIONS**

Plum Plump Hyaluronic Acid Moisturizer. Date first available: Dec. 3, 2021. Site visited: Sep. 12, 2022. Available online: <https://www.sephora.com/product/glow-recipe-plum-plump-hyaluronic-acid-moisturizer-P479327> (Year: 2021).\*

(Continued)

*Primary Examiner* — Catherine S Posthauer  
*Assistant Examiner* — Joan E. Diehl  
(74) *Attorney, Agent, or Firm* — Edell, Shapiro & Finnan, LLC

(57) **CLAIM**

The ornamental design for a cosmetics container, as shown and described.

**DESCRIPTION**

FIG. 1 is a rear, right, top perspective view of a cosmetics container.  
FIG. 2 is a rear, right, bottom perspective view thereof.  
FIG. 3 is a front, left, top perspective view thereof.  
FIG. 4 is a front, left, bottom perspective view thereof.  
FIG. 5 is a rear elevation view thereof.  
FIG. 6 is a front elevation view thereof.  
FIG. 7 is a right side elevation view thereof.  
FIG. 8 is a left side elevation view thereof.  
FIG. 9 is a top plan view thereof; and,  
FIG. 10 is a bottom plan view thereof.

**1 Claim, 5 Drawing Sheets**

(21) Appl. No.: **29/775,593**  
(22) Filed: **Mar. 24, 2021**  
(30) **Foreign Application Priority Data**

Sep. 24, 2020 (EM) ..... 008183503

(51) **LOC (14) Cl.** ..... **09-01**

(52) **U.S. Cl.**  
USPC ..... **D9/561**

(58) **Field of Classification Search**  
USPC ..... D9/560-561, 544-545, 549, 563, 567,  
D9/682-694, 697, 738, 414, 669, 652,  
D9/574, 529, 558; D28/76-79, 82-83,  
D28/4-7, 91; D7/602, 701, 708, 505;  
215/6, 382

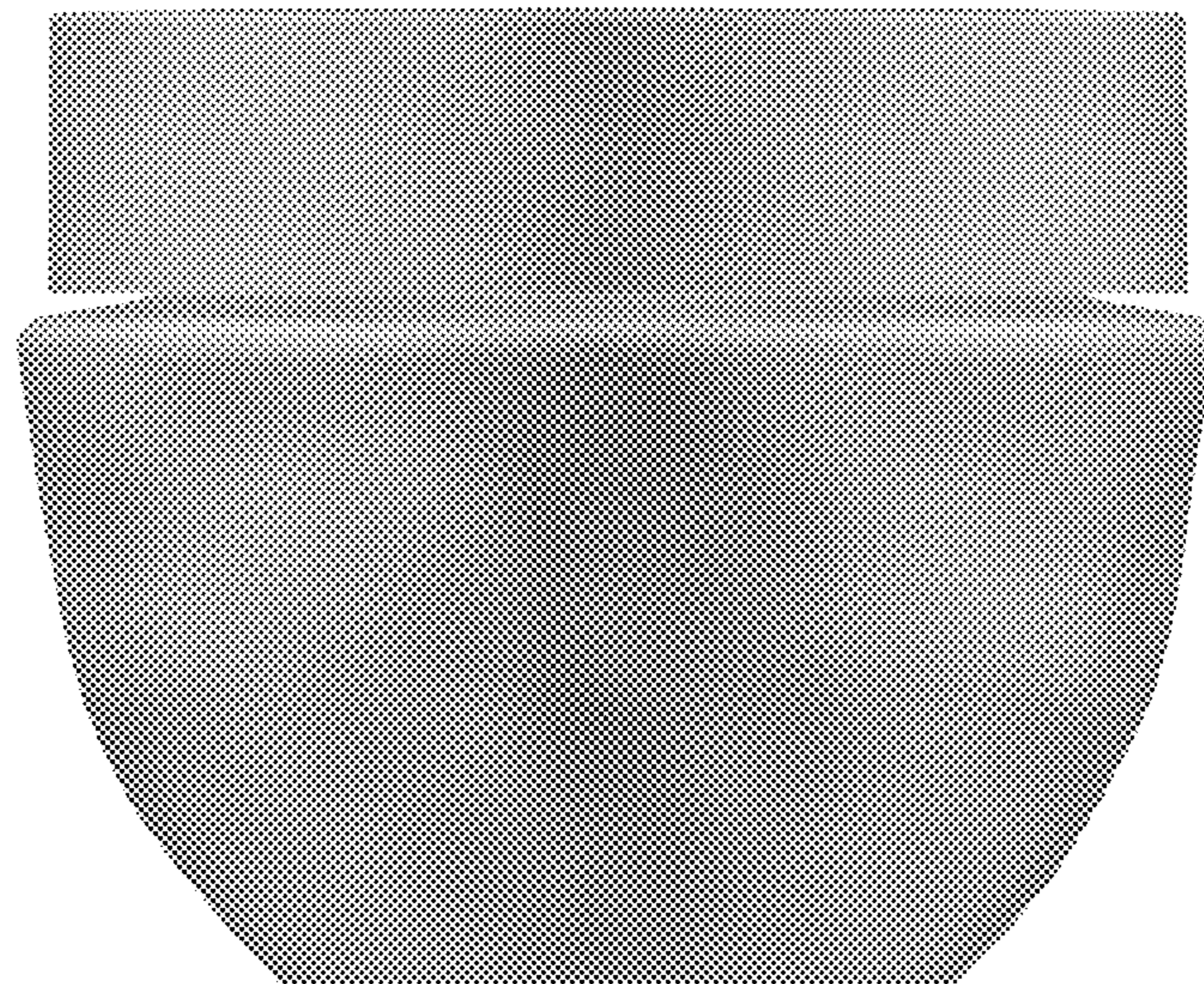
CPC .. A45D 40/06; A45D 40/0068; A45D 40/065;  
A45D 40/24; A45D 33/003; B65D 1/00;  
B65D 1/02; B65D 1/07; B65D 1/24;  
B65D 77/0493; B65D 2501/0081; B65D  
21/0204

See application file for complete search history.

(56) **References Cited**

**U.S. PATENT DOCUMENTS**

D405,699 S \* 2/1999 Chae ..... D9/558  
D525,131 S \* 7/2006 Davies ..... D9/504  
D547,661 S \* 7/2007 Blasko ..... D9/454  
D555,013 S \* 11/2007 Bartolone ..... D9/738  
D605,523 S \* 12/2009 Dibnah ..... D9/549  
D621,708 S \* 8/2010 Thomas ..... D9/500  
D707,561 S \* 6/2014 You ..... D9/503



(56)

**References Cited**

U.S. PATENT DOCUMENTS

D956,567 S \* 7/2022 Clay ..... D9/563  
2018/0235347 A1 \* 8/2018 Young ..... A45D 40/0068

OTHER PUBLICATIONS

Olay Regenerist Whip Moisturizer Review on YouTube. Date first available: Dec. 11, 2019. Site visited: Sep. 12, 2022. Available online: <https://www.youtube.com/watch?v=zYx-Ohlzs40> (Year: 2019).\*

Blue Pro-Retinol Cream—Anti-Aging Cream—Biotherm CA. Date first available: 2022. Site visited: Sep. 2, 2022. Available online: <https://www.biotherm.com/en/featured/what-s-new-BIO111078.html> (Year: 2022).\*

\* cited by examiner

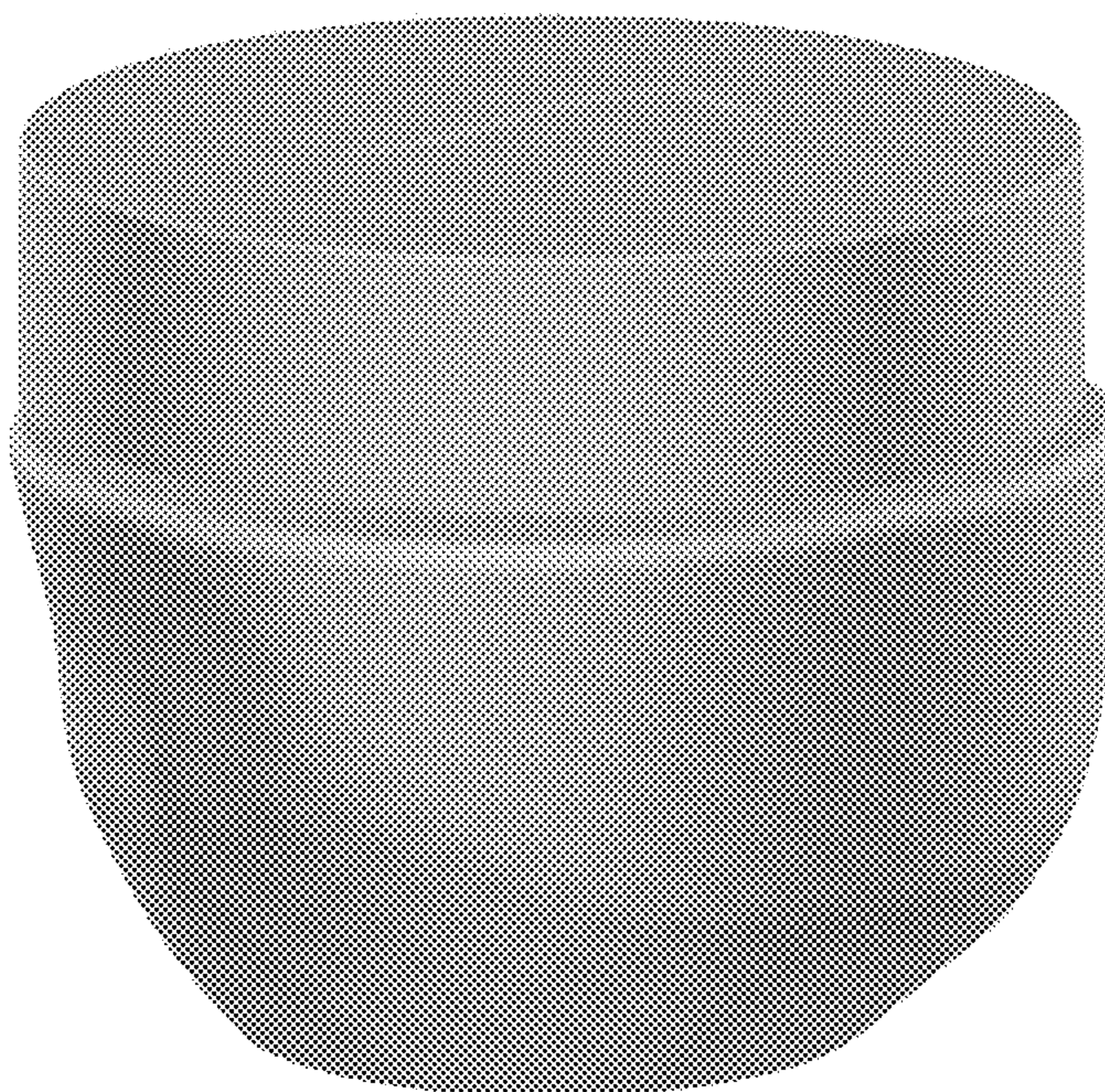


FIG.1

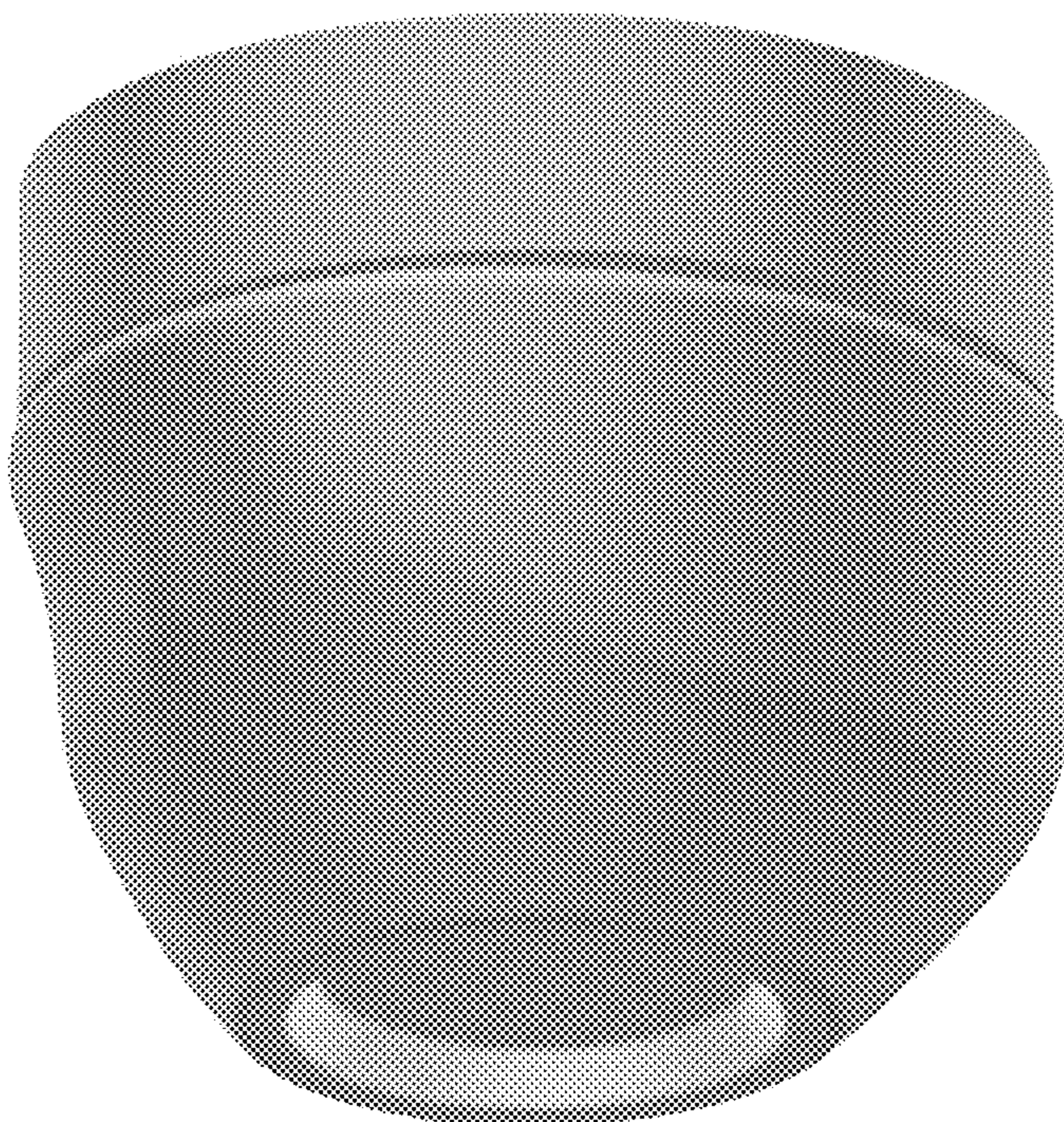


FIG.2

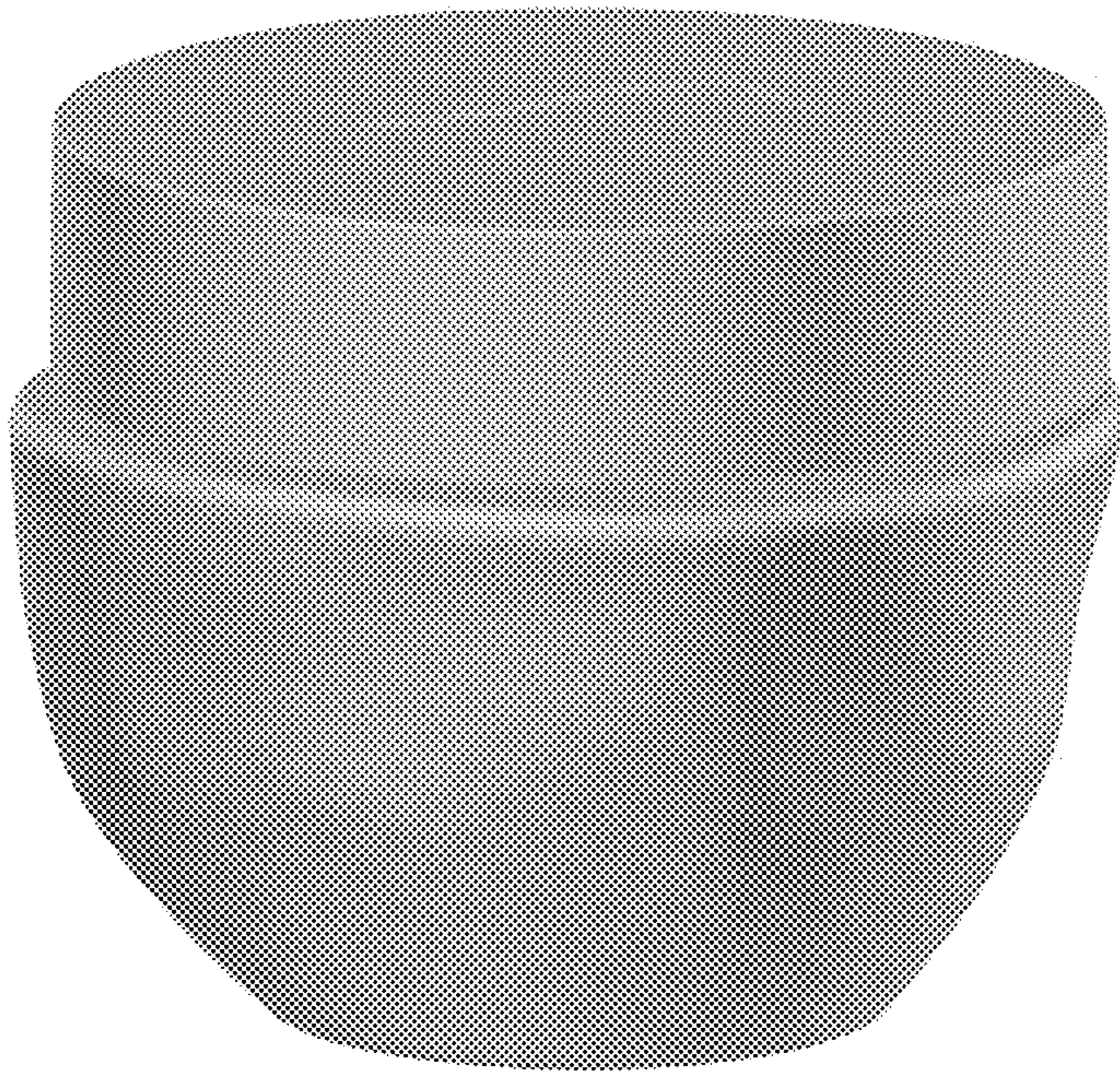


FIG.3

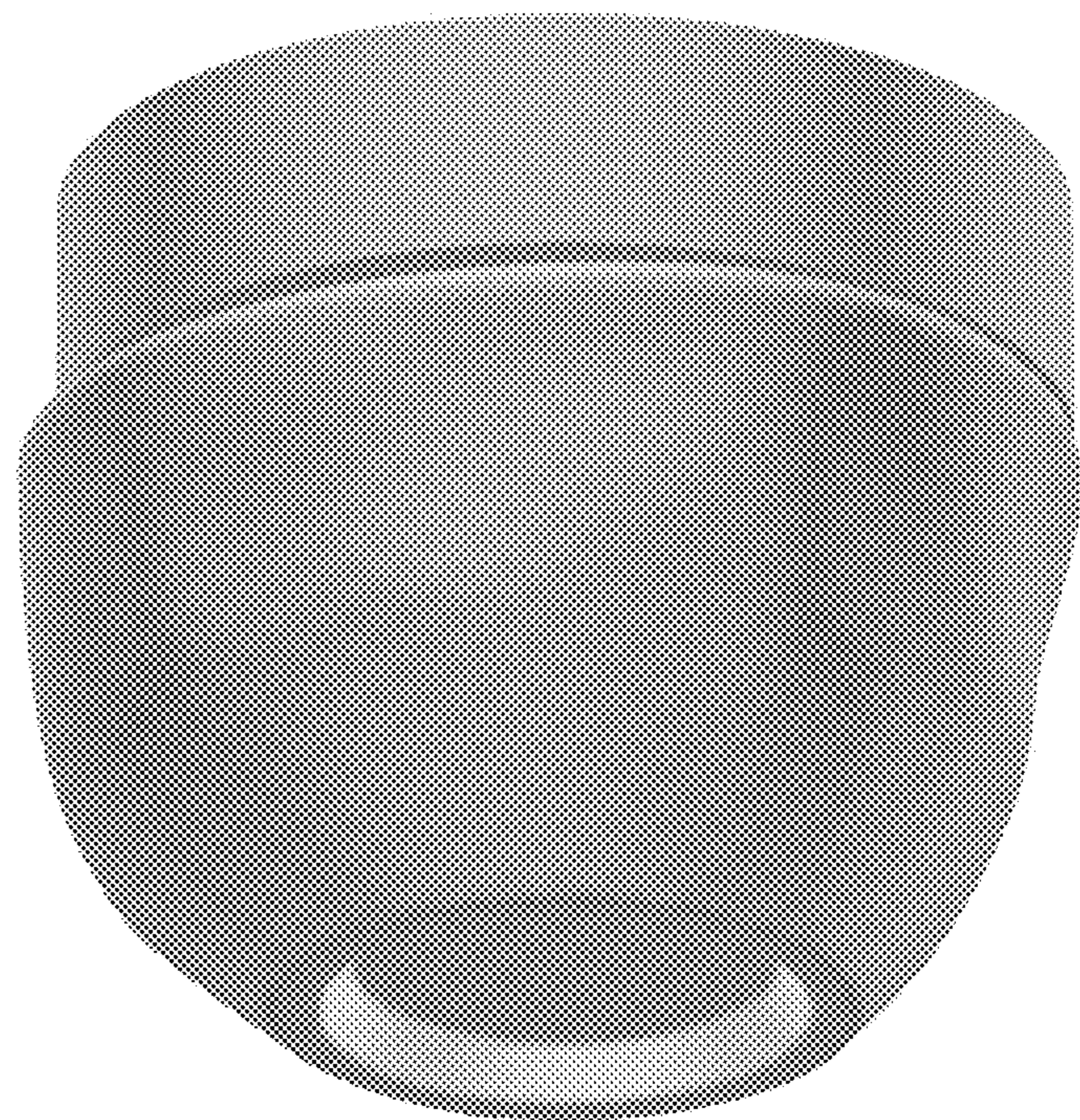


FIG.4

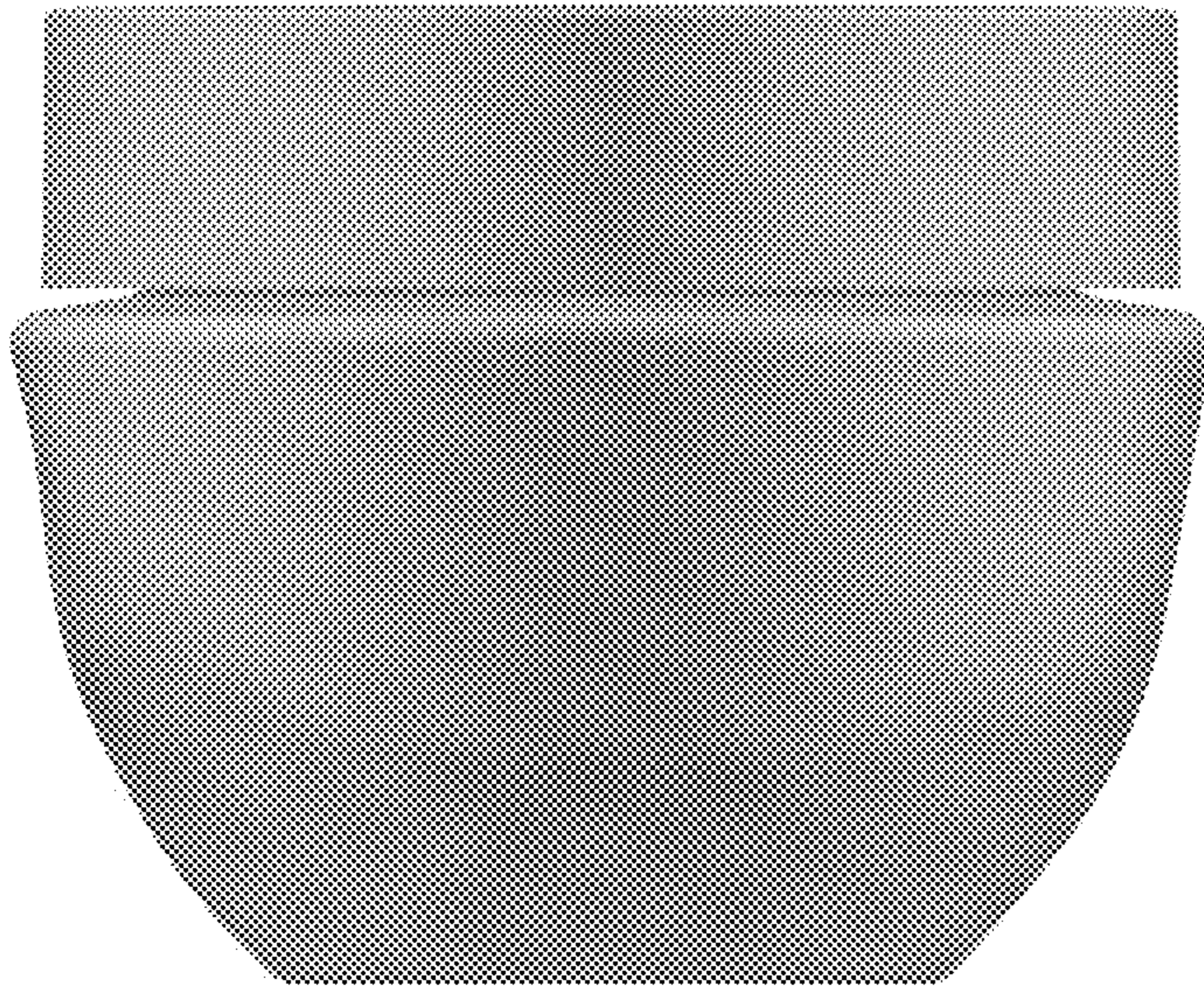


FIG.5

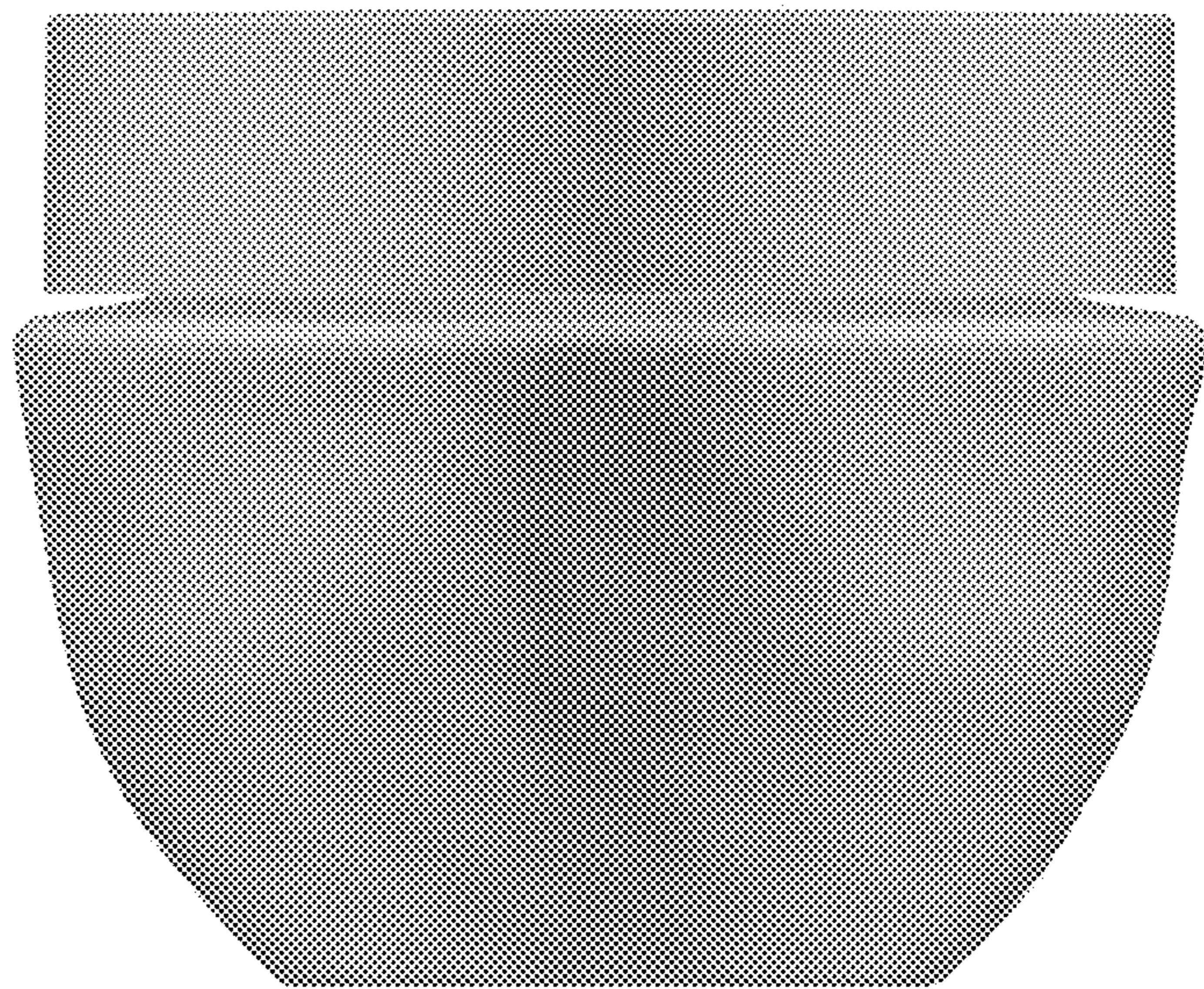


FIG.6

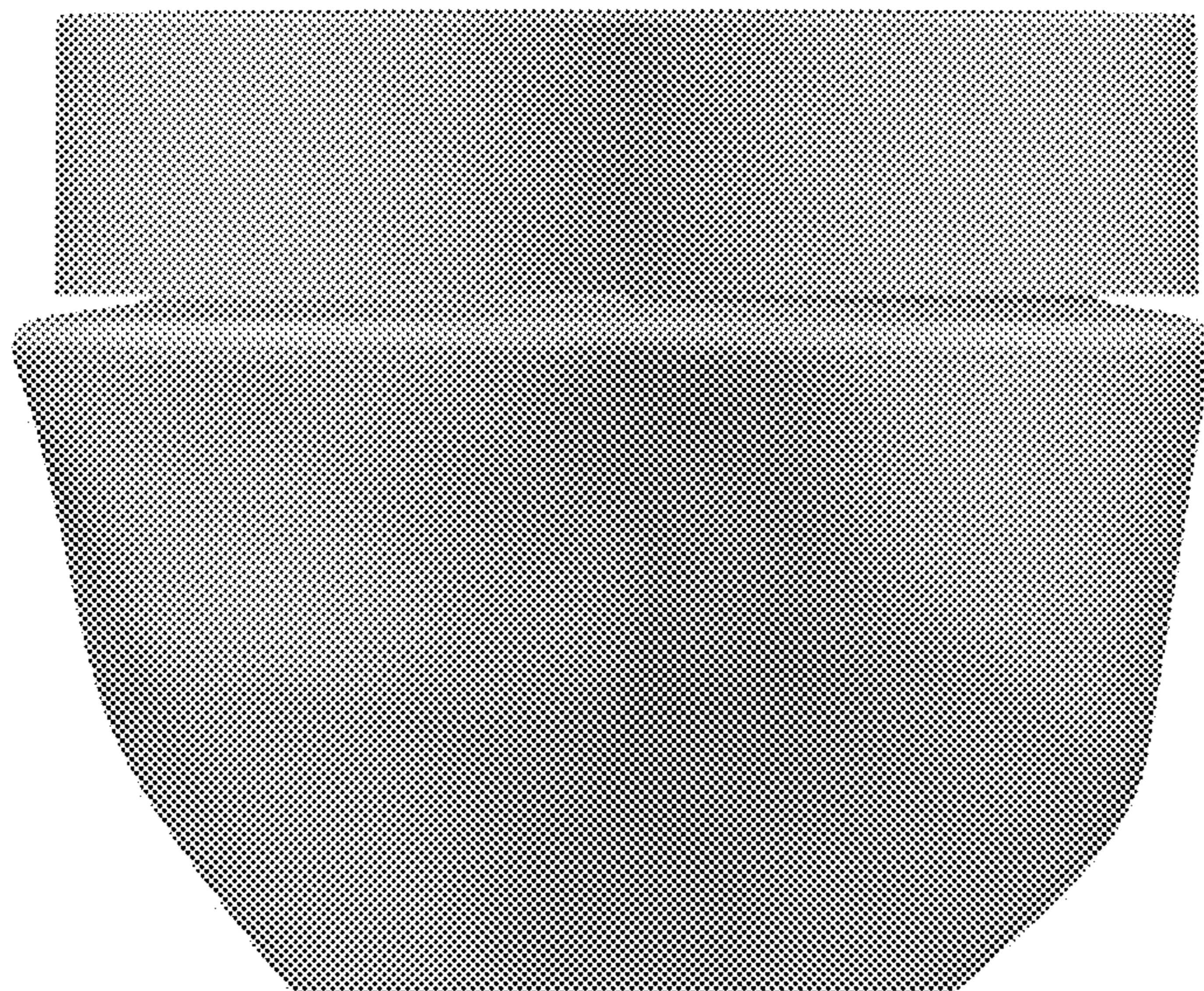


FIG.7

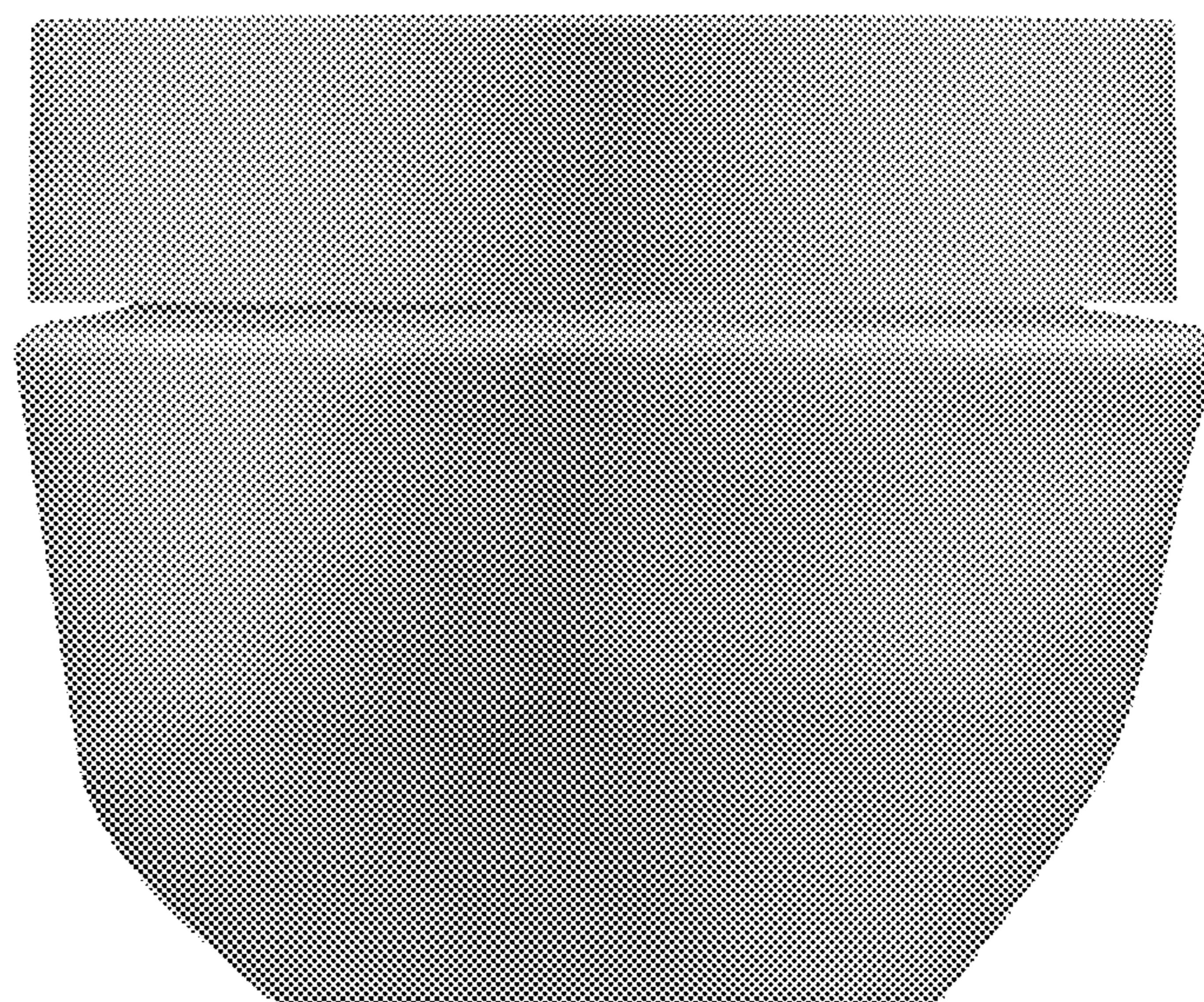


FIG.8

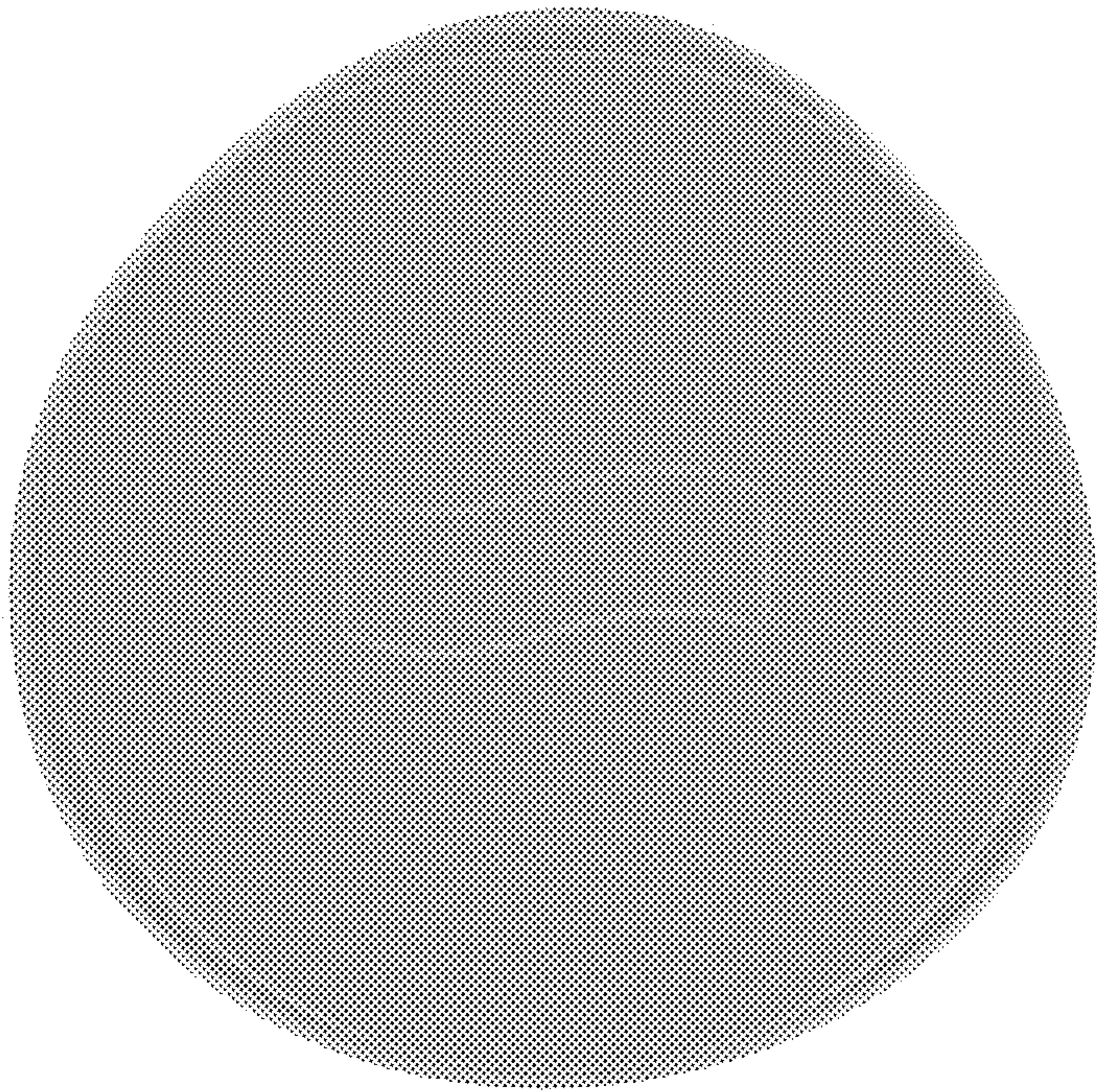


FIG.9

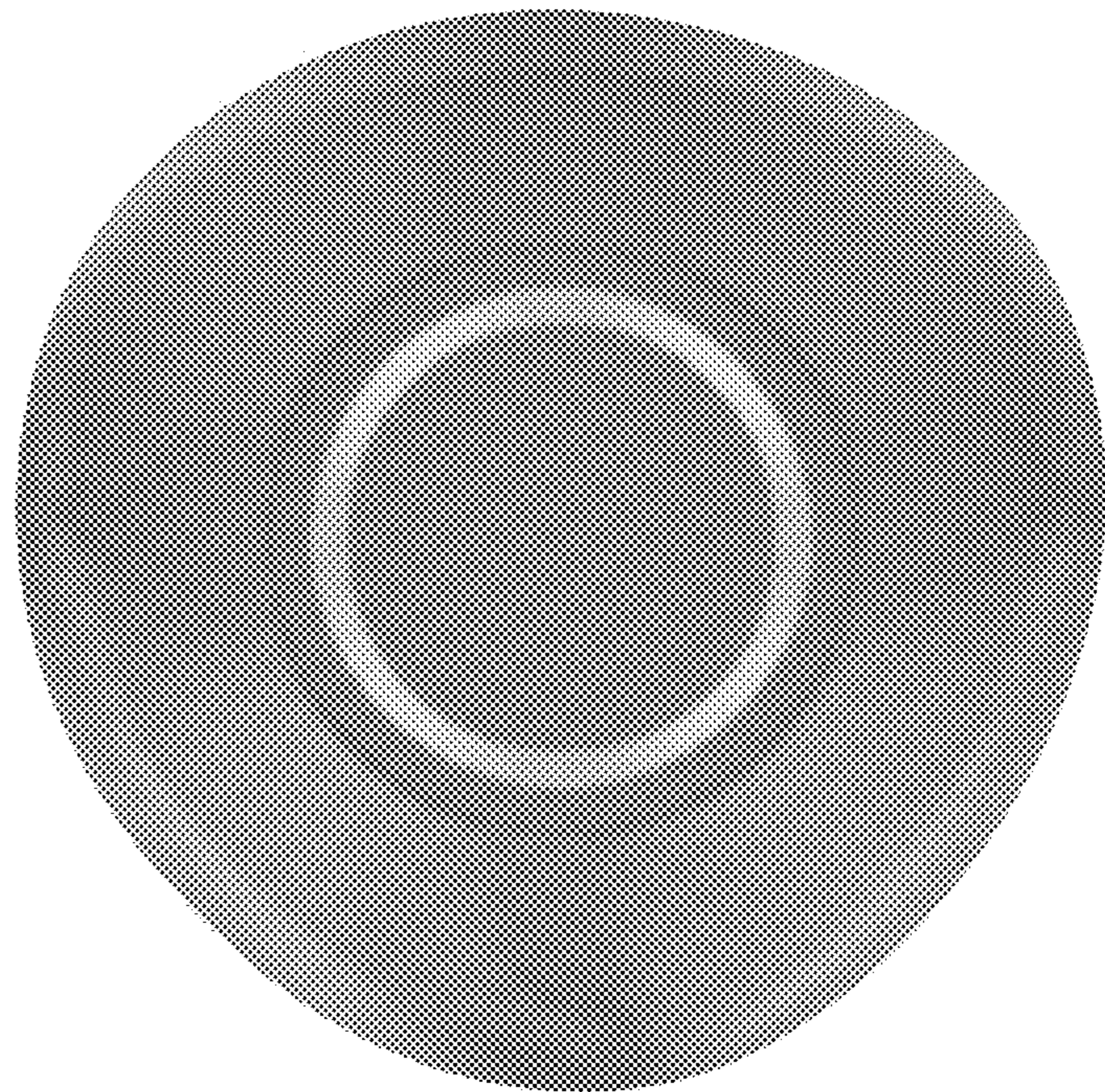


FIG.10