



US00D987436S

(12) **United States Design Patent** (10) **Patent No.:** **US D987,436 S**
Crougneau et al. (45) **Date of Patent:** **** May 30, 2023**

(54) **COSMETICS CONTAINER**

D579,784 S * 11/2008 Varlet D9/546
D821,216 S * 6/2018 Weinrich D9/560
D891,263 S * 7/2020 Castañeda-Alcántara D9/560

(71) Applicant: **BIO THERM**, Monaco (MC)

(Continued)

(72) Inventors: **Julien Crougneau**, Paris (FR); **Dimitri Marcilly**, Paris (FR)

FOREIGN PATENT DOCUMENTS

(73) Assignee: **BIO THERM**, Monaco (MC)

CL 201701232 * 10/2017
CN 114727698 A * 7/2022 A45D 33/006

(**) Term: **15 Years**

(Continued)

(21) Appl. No.: **29/775,595**

OTHER PUBLICATIONS

(22) Filed: **Mar. 24, 2021**

Biotherm Force Supreme. Date first available: 2016. Site visited: Sep. 2, 2022. Available online: <https://www.biotherm.com/en/men-s-grooming/by-biotherm-homme-collection-BIO215006.html> (Year: 2016).*

(30) **Foreign Application Priority Data**

(Continued)

Jan. 6, 2021 (EP) 008387120

(51) **LOC (14) Cl.** **09-01**

(52) **U.S. Cl.**

Primary Examiner — Catherine S Posthauer

USPC **D9/560**

Assistant Examiner — Joan E. Diehl

(58) **Field of Classification Search**

(74) *Attorney, Agent, or Firm* — Edell, Shapiro & Finnan, LLC

USPC D9/560–561, 544–546, 549, 563, 567, D9/682–694, 697, 738, 414, 454, 669, D9/652, 573–574, 529, 558; D28/76–79, D28/82–83, 4–7, 91; D7/602, 701, 708, D7/505; 215/6, 382

(57) **CLAIM**

CPC A45D 40/06; A45D 40/065; A45D 40/24; A45D 33/003; A45D 33/006; B65D 1/00; B65D 1/02; B65D 1/0223; B65D 1/07; B65D 1/24; B65D 77/0493; B65D 2501/0081; B65D 21/0204

The ornamental design for a cosmetics container, as shown and described.

See application file for complete search history.

DESCRIPTION

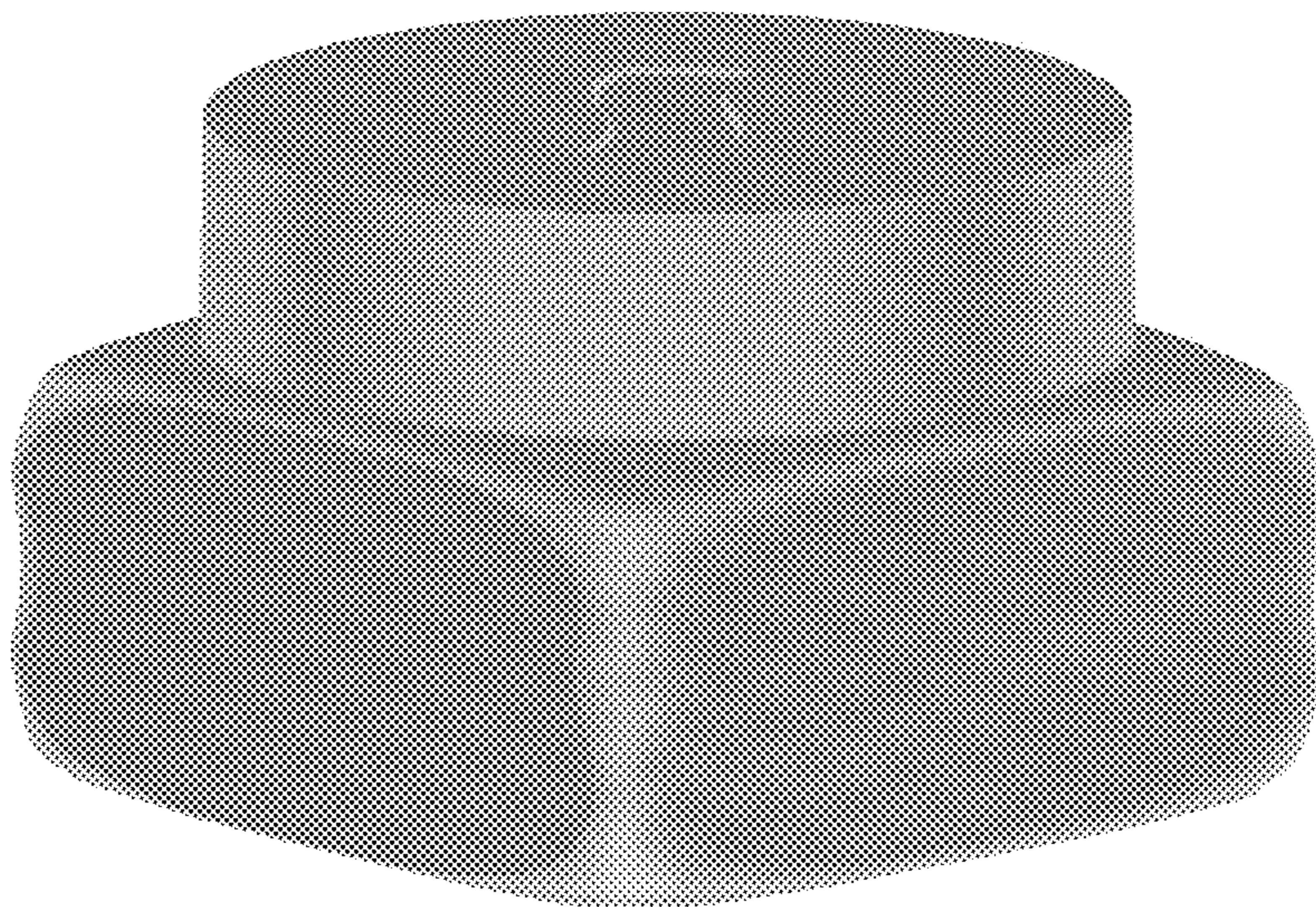
(56) **References Cited**

FIG. 1 is a front, right, top perspective view of a cosmetics container.
FIG. 2 is a bottom plan view thereof.
FIG. 3 is a rear elevation view thereof.
FIG. 4 is a front elevation view thereof.
FIG. 5 is a left side elevation view thereof.
FIG. 6 is a right side elevation view thereof.
FIG. 7 is a top plan view thereof.
FIG. 8 is a front, right, bottom perspective view thereof.
FIG. 9 is a rear, left, top perspective view thereof; and,
FIG. 10 is a rear, left, bottom perspective view thereof.

U.S. PATENT DOCUMENTS

D171,516 S * 2/1954 Otto D9/560
D540,688 S * 4/2007 Lascaux D9/560
D563,795 S * 3/2008 Canamasas Puigbo D9/573
D570,221 S * 6/2008 Moretti D9/454
D577,292 S * 9/2008 Moretti D9/560

1 Claim, 5 Drawing Sheets



(56)

References Cited

U.S. PATENT DOCUMENTS

2019/0061983 A1 * 2/2019 Yang B65D 1/0223
2021/0298451 A1 * 9/2021 Coquard B65D 77/0493

FOREIGN PATENT DOCUMENTS

DE 202018107274 U1 * 2/2019
WO WO-2021165613 A1 * 8/2021

OTHER PUBLICATIONS

Child Proof 9ml Cube Jar Glass Containers. Date first available:
Aug. 6, 2020. Site visited: Aug. 24, 2022. Available online: https://www.amazon.com/dp/B08QVHGY82/ref=sspa_dk_detail_0 (Year: 2020).*

Advanced Génifique Wrinkle & Dark Circle Eye Cream. Date first available: May 25, 2021. Site visited: Sep. 22, 2022. Available online: <https://www.sephora.com/product/lancome-advanced-genifique-wrinkle-dark-circle-eye-cream-P472981> (Year: 2021).*

* cited by examiner

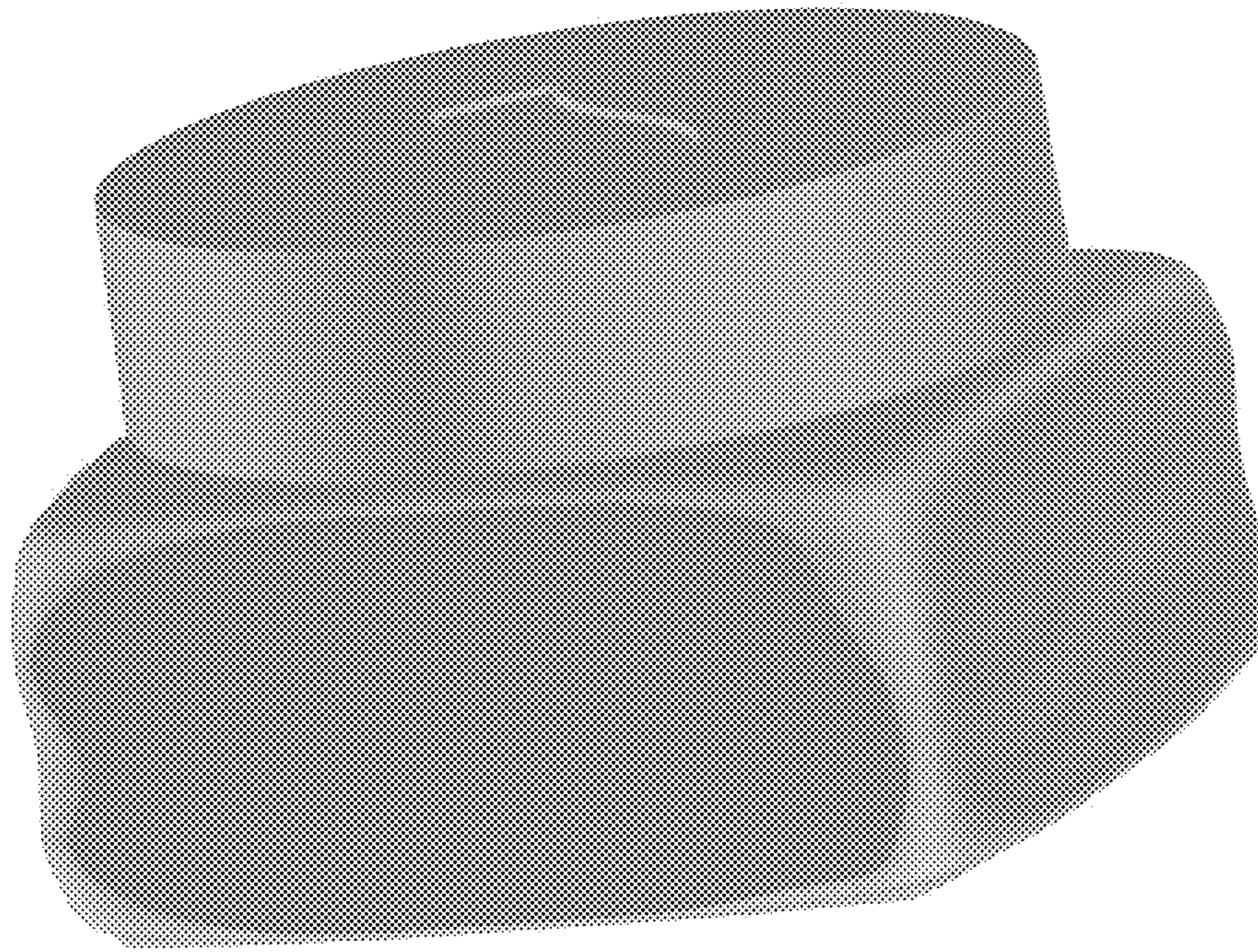


FIG.1

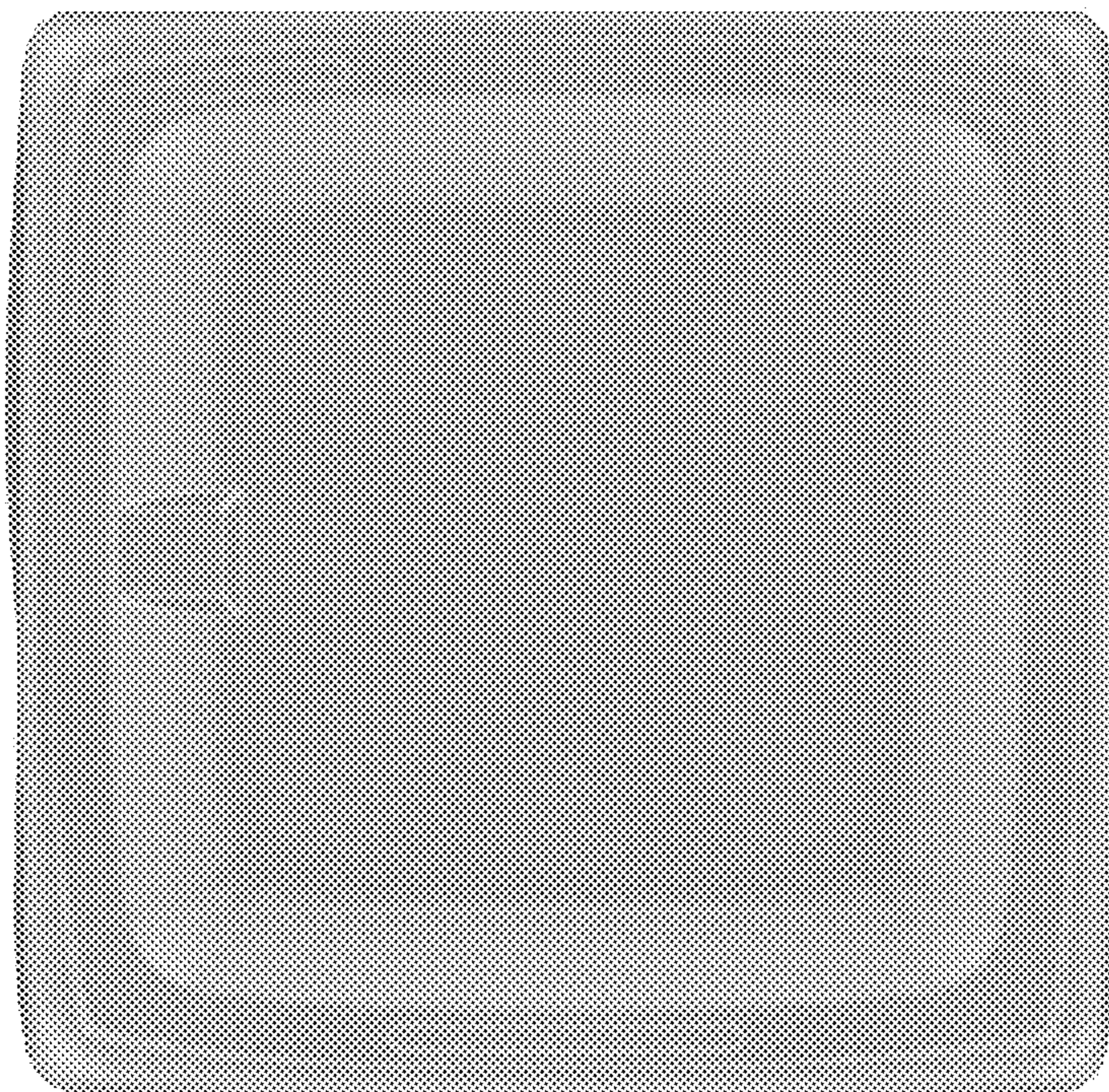


FIG.2

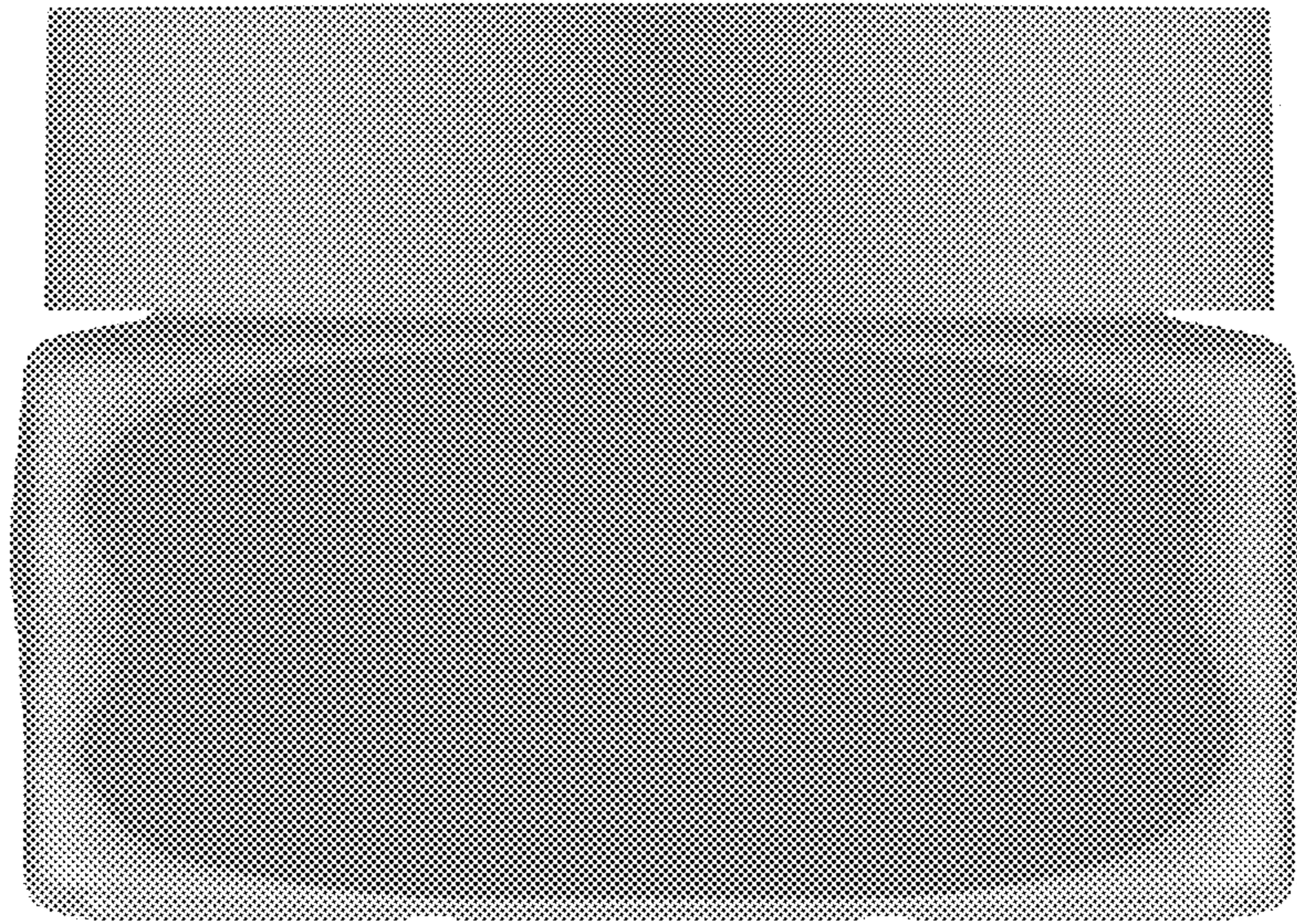


FIG.3

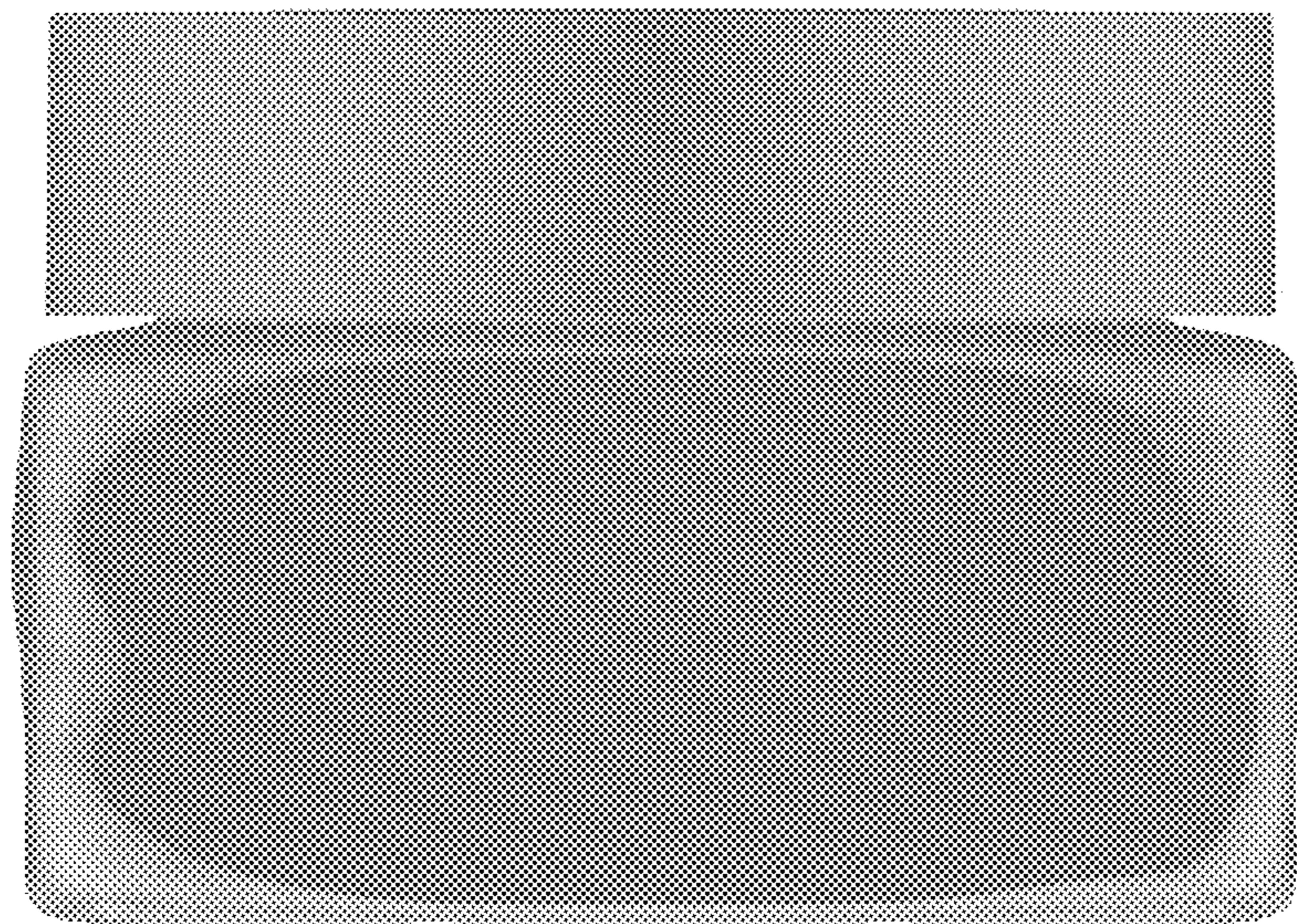


FIG.4

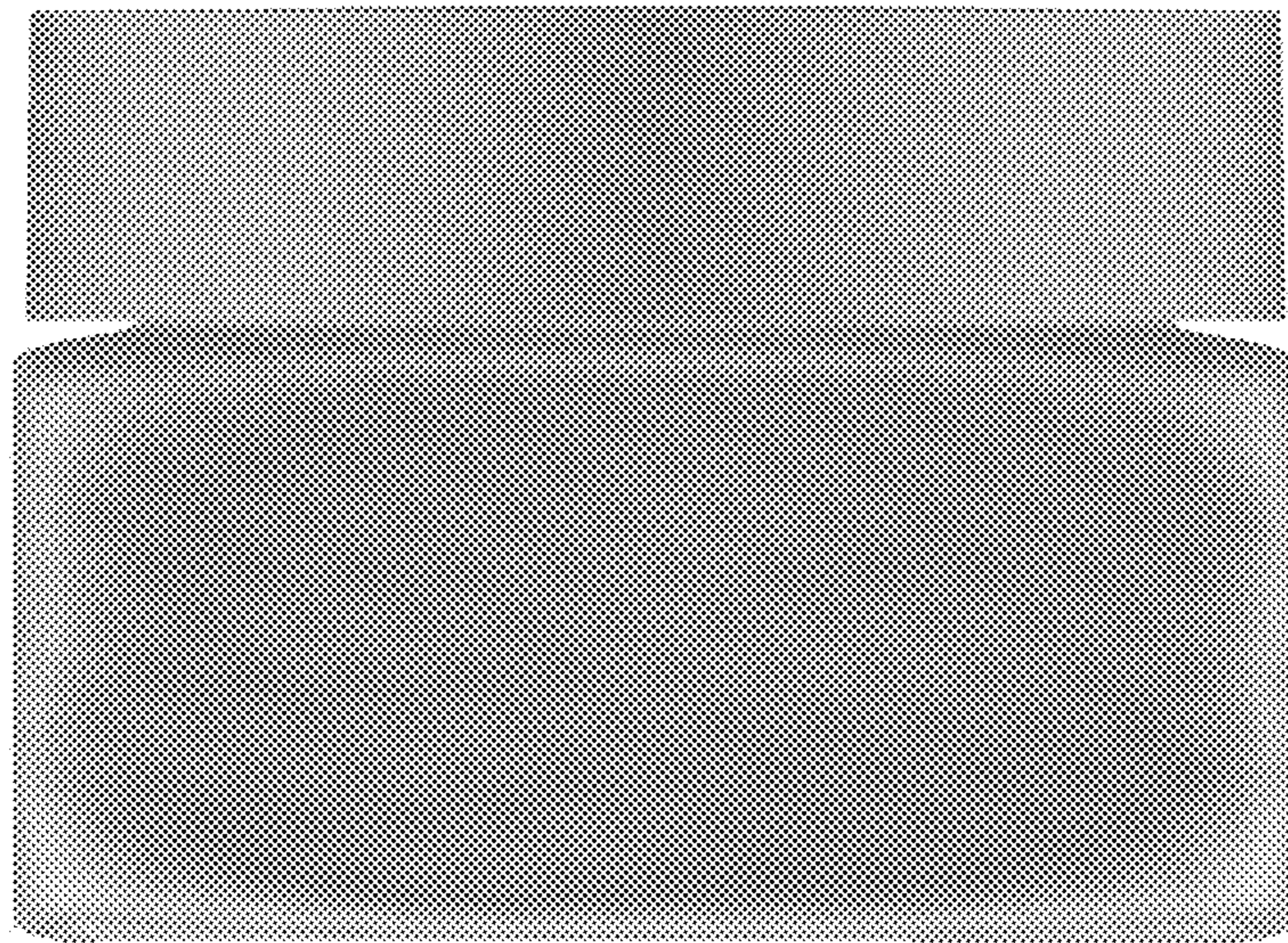


FIG.5

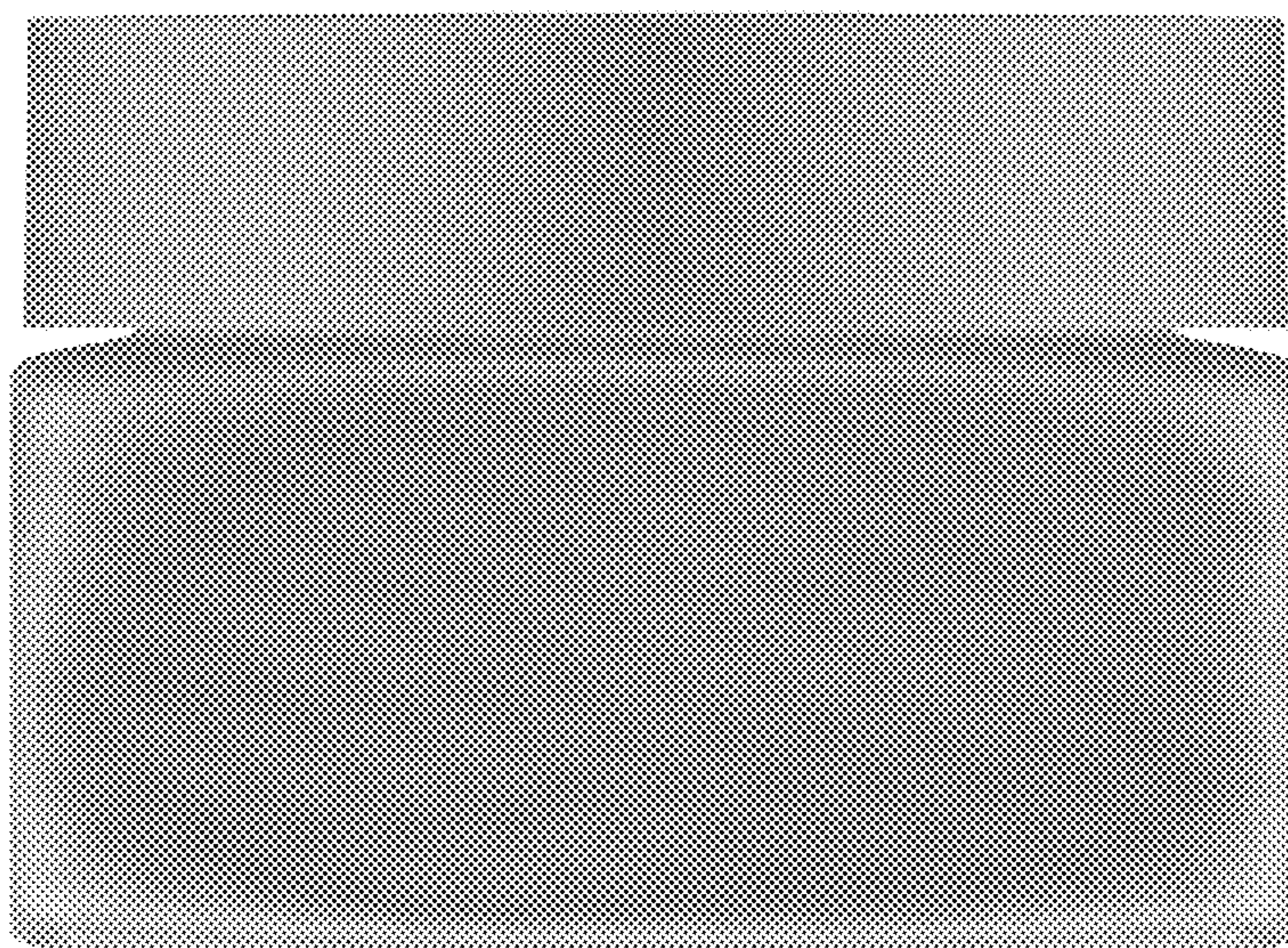


FIG.6

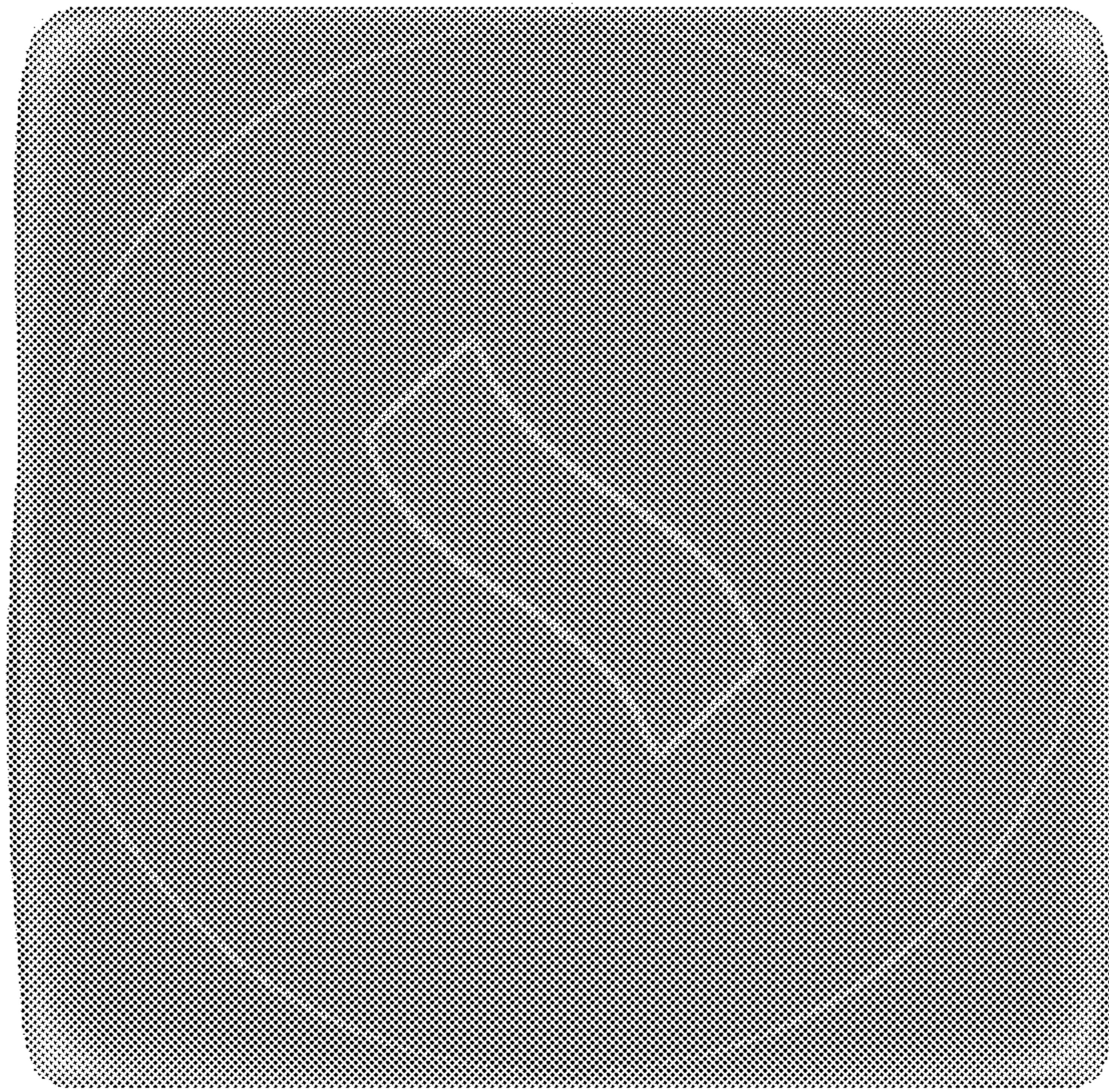


FIG.7

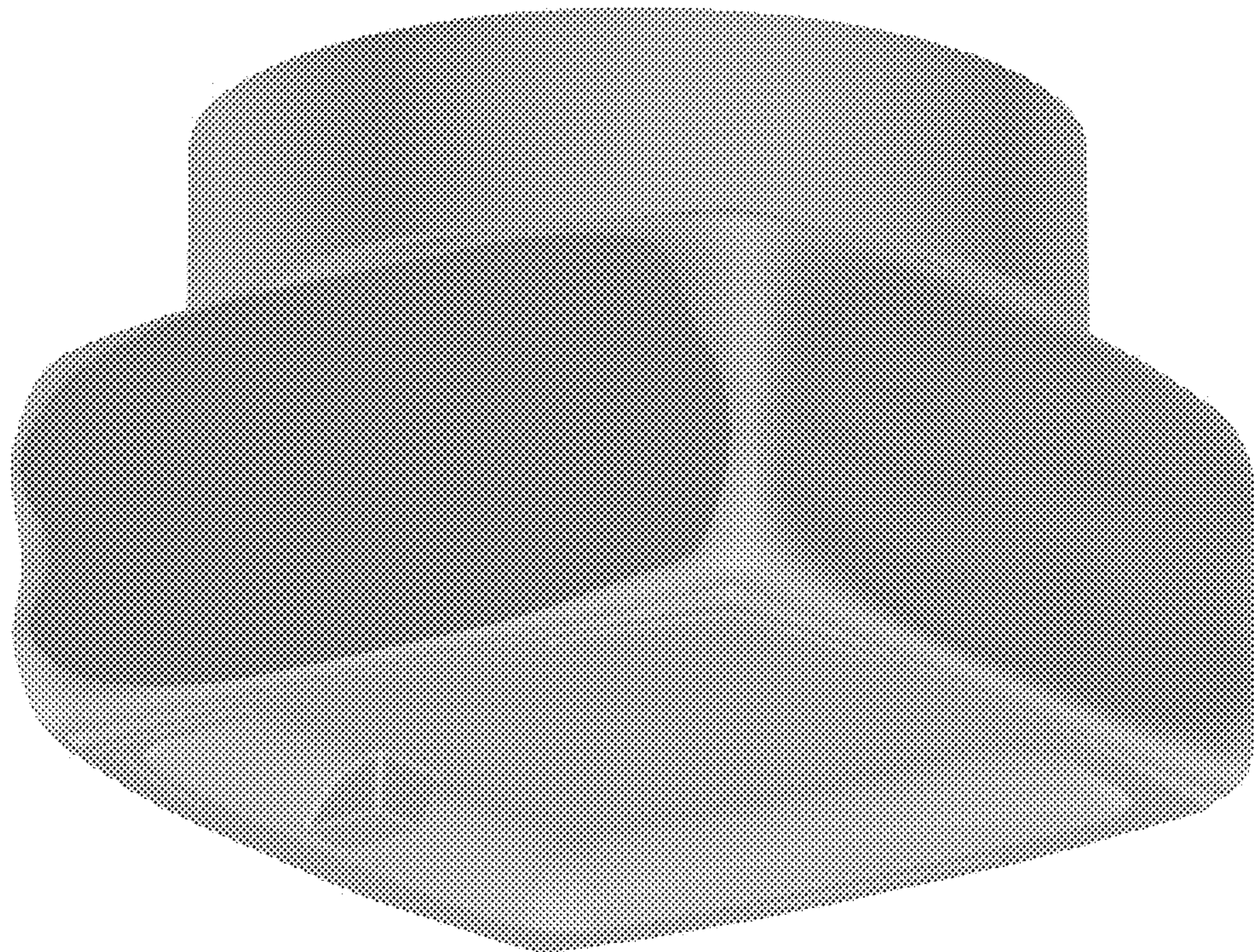


FIG.8

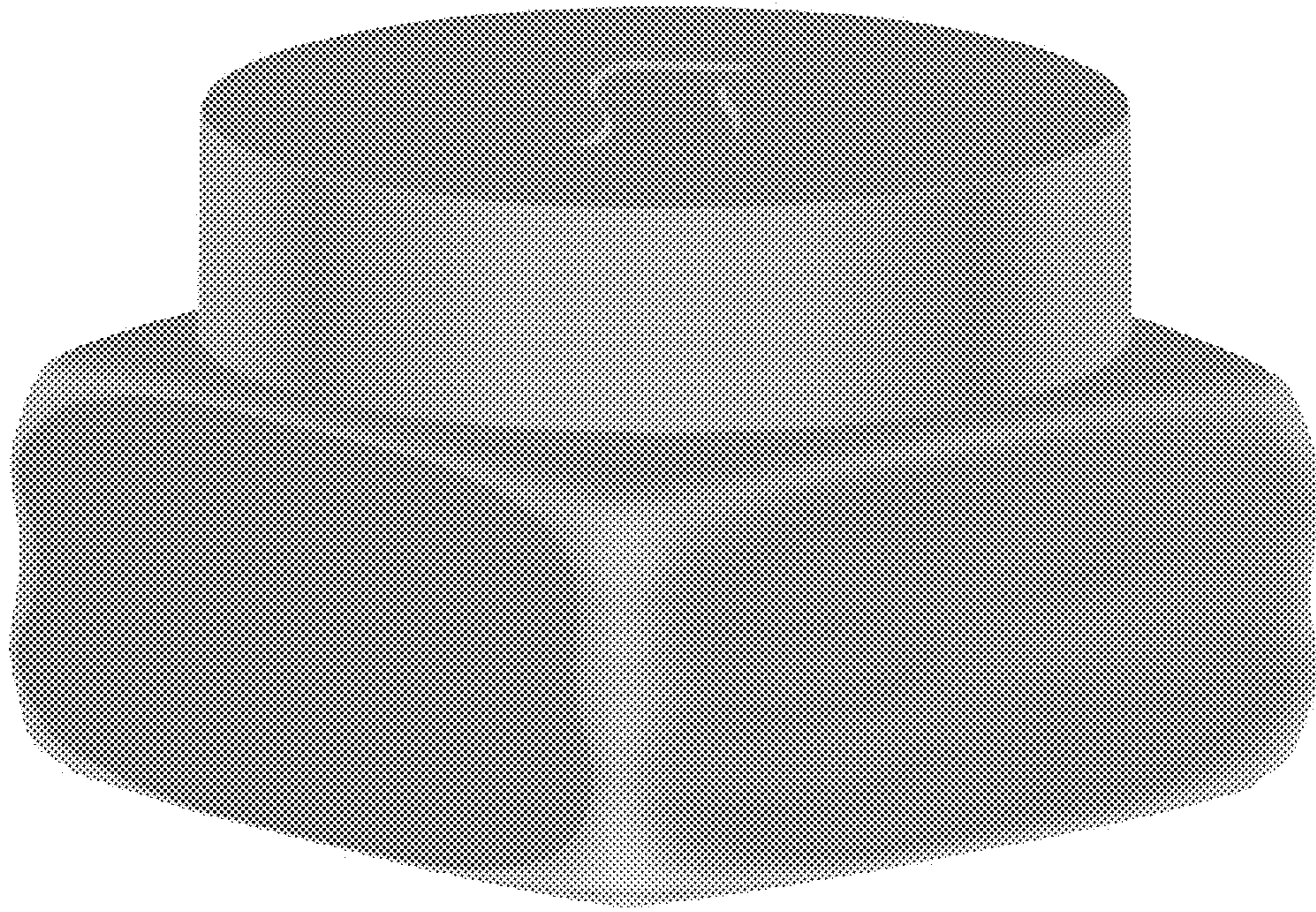


FIG.9

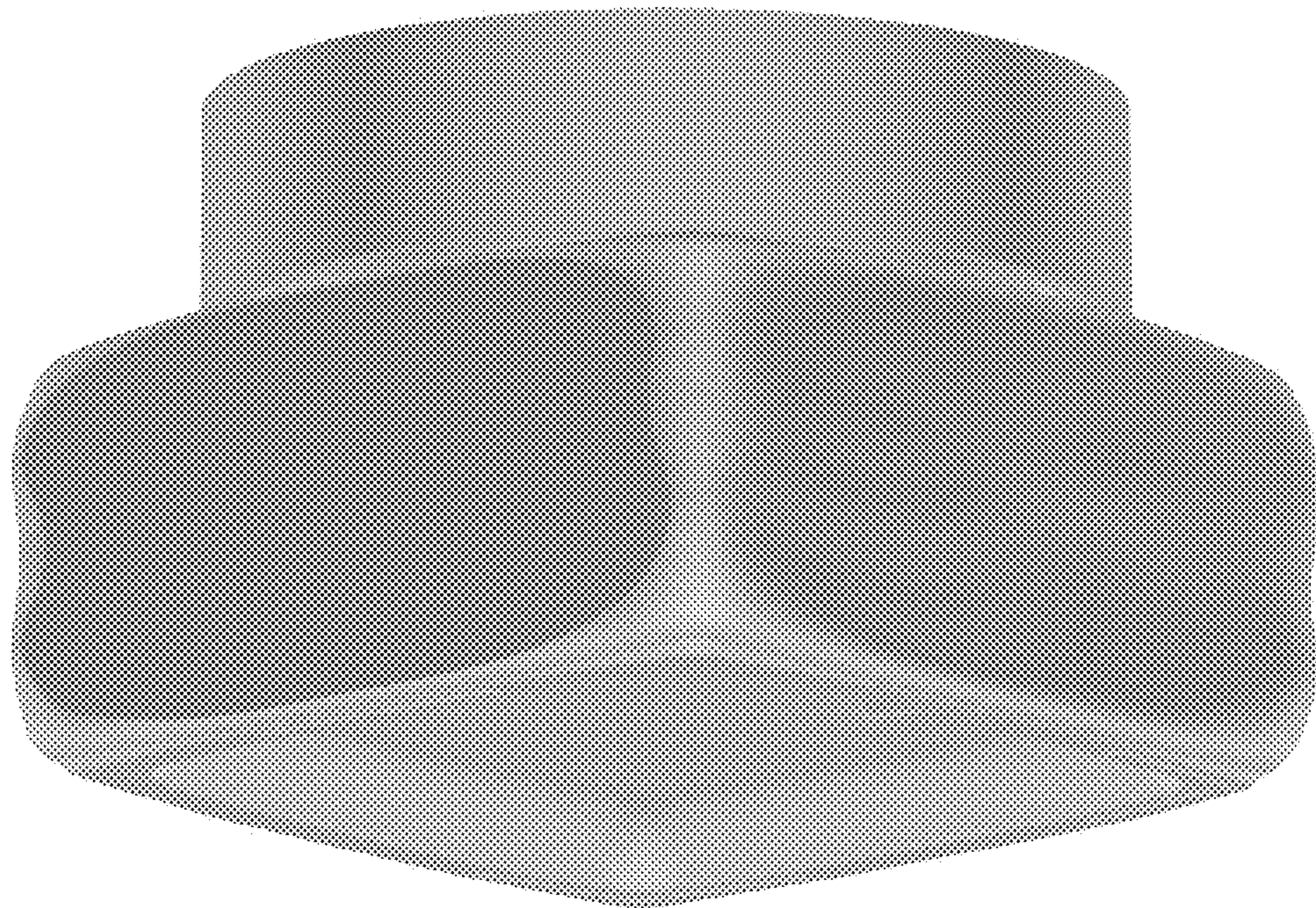


FIG.10