



US00D987432S

(12) **United States Design Patent** (10) **Patent No.:** **US D987,432 S**  
**Ajluni et al.** (45) **Date of Patent:** **\*\* May 30, 2023**

(54) **JAR**  
(71) Applicant: **Sauce Ventures, LLC**, Huntington Beach, CA (US)  
(72) Inventors: **Nick Ajluni**, Long Beach, CA (US); **Victor Guillen**, Los Angeles, CA (US)  
(73) Assignee: **SAUCE VENTURES, LLC**, Huntington Beach, CA (US)

D93,940 S 11/1934 McManus  
3,017,049 A \* 1/1962 Powell ..... B65D 50/061  
215/206  
D192,826 S 5/1962 Du Pree  
D272,508 S 2/1984 Conti  
D289,143 S \* 4/1987 Guillaume ..... D9/504  
D296,764 S \* 7/1988 Riach ..... D9/503  
(Continued)

(\*\*) Term: **15 Years**  
(21) Appl. No.: **29/765,208**

FOREIGN PATENT DOCUMENTS  
CN 306558642 \* 11/2020  
JP D1361040 \* 4/2009

(22) Filed: **Jan. 6, 2021**  
(51) **LOC (14) Cl.** ..... **09-07**  
(52) **U.S. Cl.**  
USPC ..... **D9/503**  
(58) **Field of Classification Search**  
USPC ..... D9/434, 443, 454, 500, 502, 503, 504,  
D9/516, 520, 530, 537, 539, 540, 549,  
D9/558, 559, 564, 690, 715, 719, 738;  
D7/538, 540, 541, 542, 543, 545, 601,  
D7/602, 612, 615, 701, 703, 705, 706,  
D7/707, 708; D26/9, 22, 96  
CPC ..... A45D 33/025; A45F 2200/0583; A47G  
19/12; A47G 19/18; A47G 19/2205; A47J  
41/0077; B65D 1/00; B65D 1/02; B65D  
1/0223; B65D 1/10; B65D 1/165; B65D  
5/64; B65D 5/68; B65D 21/02; B65D  
21/0231; B65D 23/00; B65D 41/04;  
B65D 41/0485; B65D 50/061; B65D  
51/02; B65D 81/3837; B65D 83/38;  
B65D 2251/023; B65D 2501/00; B65D  
2501/0009; Y10S 215/00  
See application file for complete search history.

OTHER PUBLICATIONS  
Truff Pasta Sauce, posted at Amazon.com (customer review Mar. 12, 2021), [site visited Jun. 13, 2022]. Available from internet, URL: <<https://www.amazon.com/TRUFF-Truffle-Pomodoro-Arrabbiata-Flavorful/dp/B08ML956K3/>> (Year: 2021).\*  
(Continued)

*Primary Examiner* — Andrew Kerr  
*Assistant Examiner* — Chariton Alexakis  
(74) *Attorney, Agent, or Firm* — Buchalter; Cecily Anne O'Regan

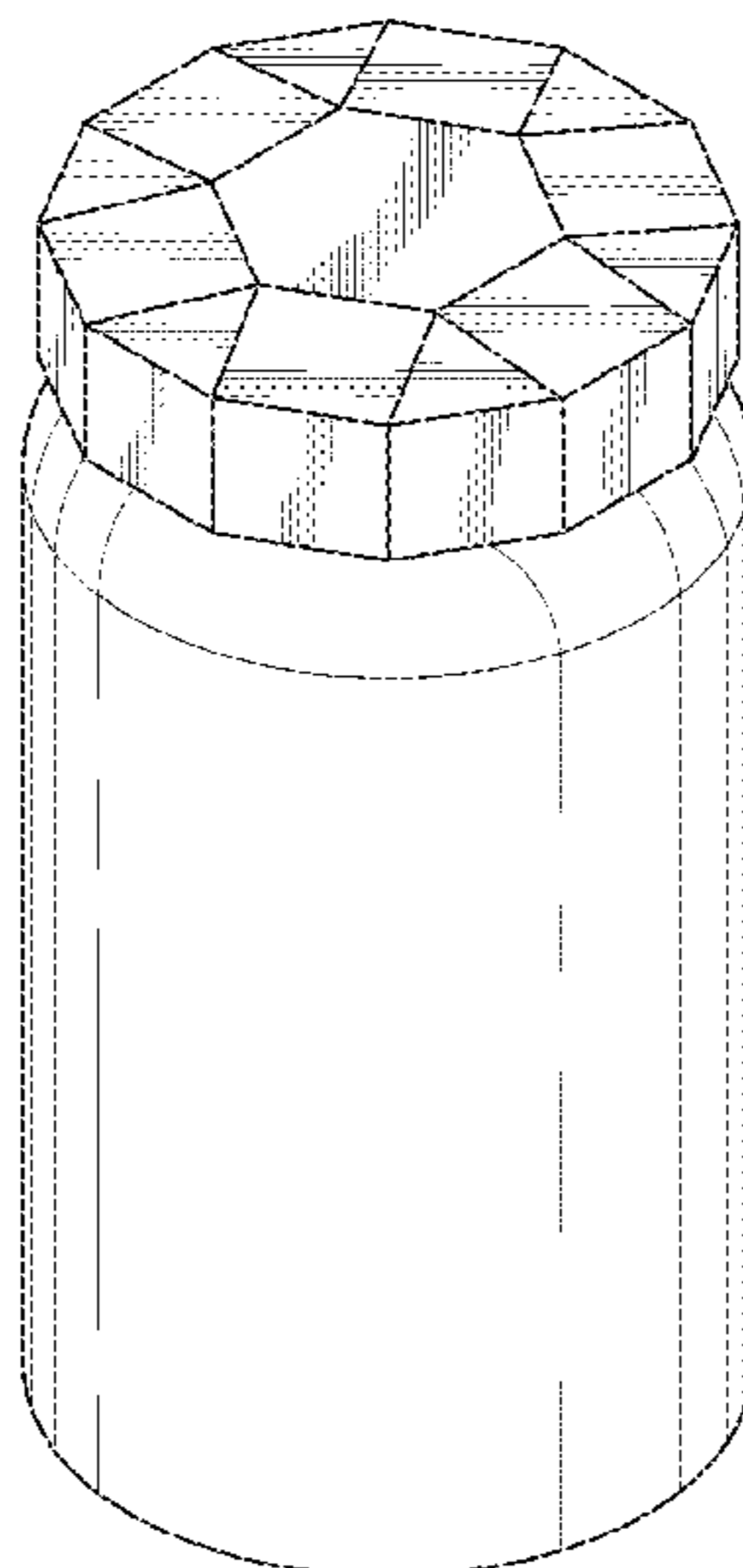
(56) **References Cited**  
U.S. PATENT DOCUMENTS

D17,215 S 3/1887 Park  
D86,566 S 3/1932 Gibson

(57) **CLAIM**  
The ornamental design for a jar, as shown and described.

**DESCRIPTION**  
FIG. 1 is a top, left and front perspective view of a jar, showing my new design;  
FIG. 2 is a front elevation view thereof;  
FIG. 3 is rear elevation view thereof;  
FIG. 4 is a right-side elevation view thereof;  
FIG. 5 is a left-side elevation view thereof;  
FIG. 6 is a top plan view thereof; and,  
FIG. 7 is a bottom plan view thereof.

**1 Claim, 4 Drawing Sheets**



(56)

References Cited

U.S. PATENT DOCUMENTS

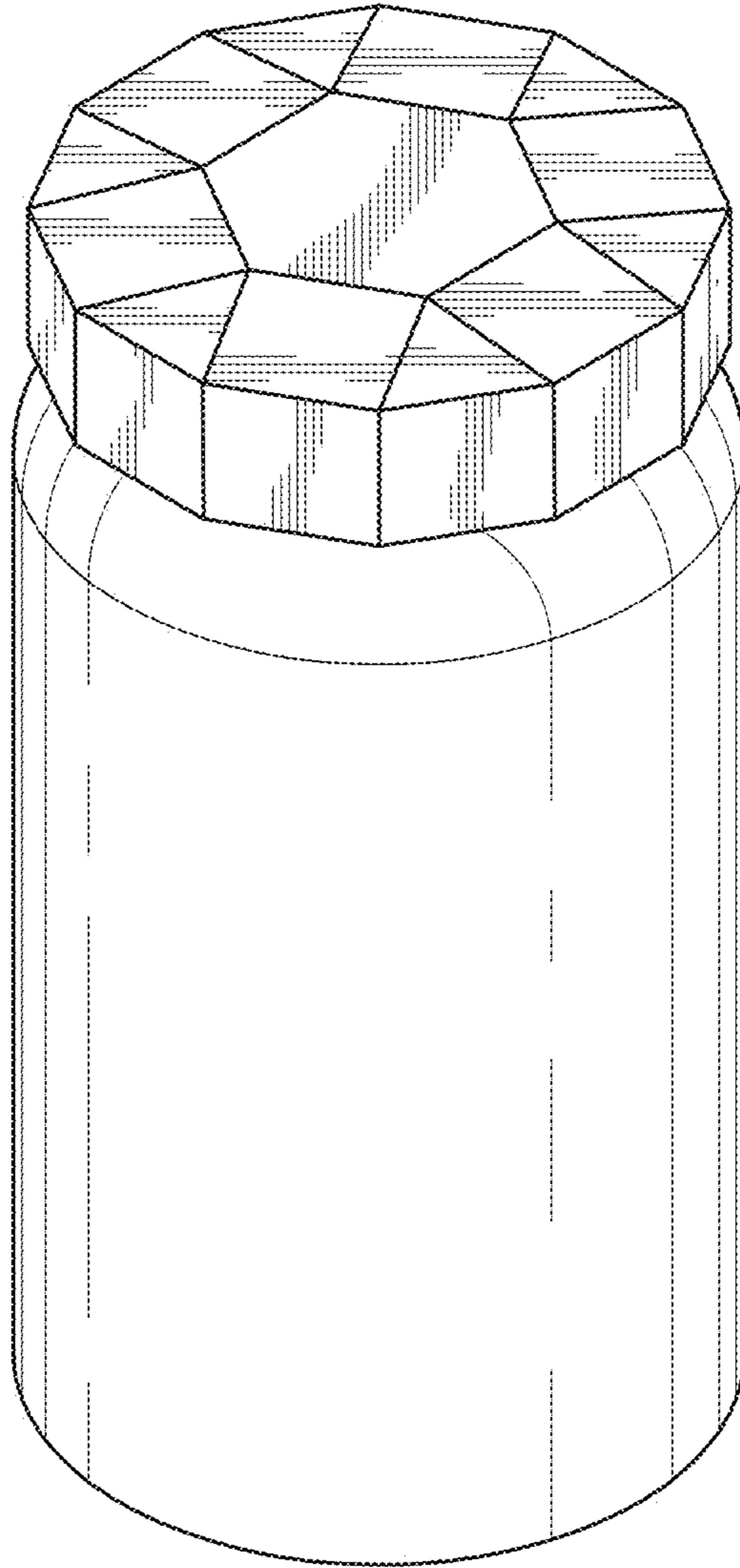
D310,484 S 9/1990 Daucourt  
 D322,753 S \* 12/1991 Sussman ..... D9/504  
 D350,406 S \* 9/1994 Gereau ..... D26/9  
 D365,516 S \* 12/1995 Williamson ..... D9/651  
 D454,089 S \* 3/2002 Steiner ..... D11/90  
 D472,469 S 4/2003 Versace  
 D477,227 S 7/2003 Goswell  
 D521,409 S 5/2006 De Castro et al.  
 D533,454 S \* 12/2006 Canamasas Puigbo ..... D9/454  
 D559,145 S 1/2008 Gorenstein  
 D560,542 S 1/2008 Prechtl  
 D560,546 S 1/2008 Granig  
 D562,689 S 2/2008 Antretter  
 D565,410 S \* 4/2008 Canamasas Puigbo ..... D9/454  
 D573,026 S 7/2008 Tsai  
 D627,604 S 11/2010 Eyal  
 D638,706 S 5/2011 De Bashmakoff  
 D691,885 S 10/2013 Potts  
 D697,811 S 1/2014 Goodman et al.  
 D712,253 S 9/2014 Hughes et al.  
 D721,270 S \* 1/2015 Dittmer ..... D9/503  
 D739,256 S 9/2015 Kim et al.  
 D740,660 S 10/2015 Hughes et al.  
 D755,051 S \* 5/2016 Otani ..... D9/504  
 D764,300 S \* 8/2016 De Baschmakoff ..... D9/566

D777,984 S \* 1/2017 Son ..... D28/82  
 D780,590 S 3/2017 Komai  
 D786,688 S \* 5/2017 Takei ..... D9/453  
 D807,172 S 1/2018 Staab et al.  
 D822,501 S 7/2018 Staab  
 D844,433 S 4/2019 Hall et al.  
 D847,643 S 5/2019 Moretti  
 D858,293 S 9/2019 Zhang  
 D871,216 S 12/2019 Feletto  
 D884,979 S 5/2020 Adenaike  
 D893,958 S \* 8/2020 Guthrie ..... A45D 33/025  
 D7/629  
 D927,979 S \* 8/2021 Jiang ..... B65D 5/68  
 D9/504  
 D932,302 S 10/2021 Sung  
 D933,475 S 10/2021 Ajluni et al.  
 2010/0301108 A1 \* 12/2010 Wisecarver ..... B65D 5/68  
 229/174  
 2018/0263357 A1 \* 9/2018 Lu ..... A45D 33/025  
 2020/0377285 A1 12/2020 Beckham

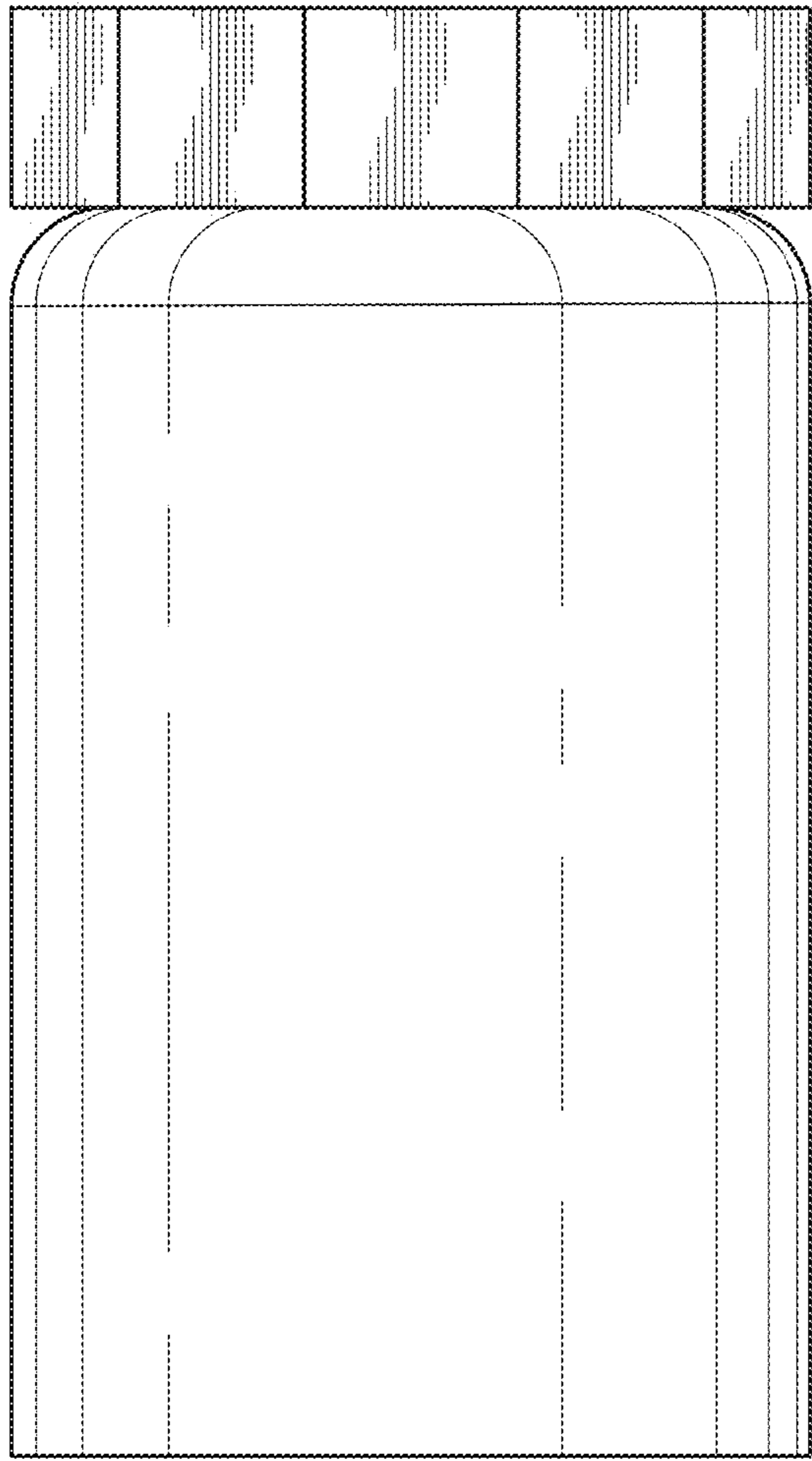
OTHER PUBLICATIONS

Truff, date first posted Feb. 16, 2018, site visited Oct. 24, 2020, available from internet <https://www.instagram.com/p/BfRS3fBfr4e/>.

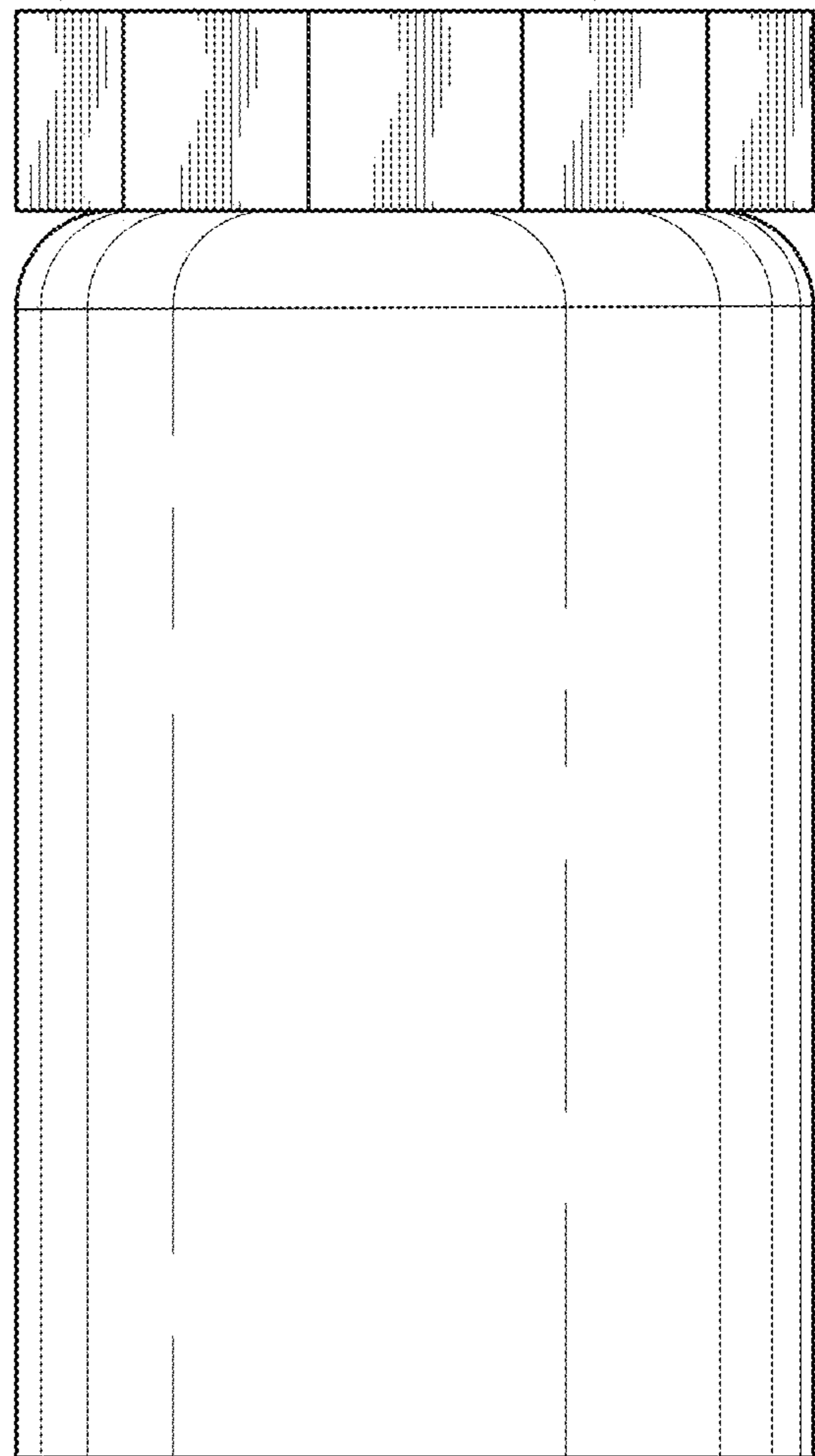
\* cited by examiner



*FIG. 1*



*FIG. 2*



*FIG. 3*

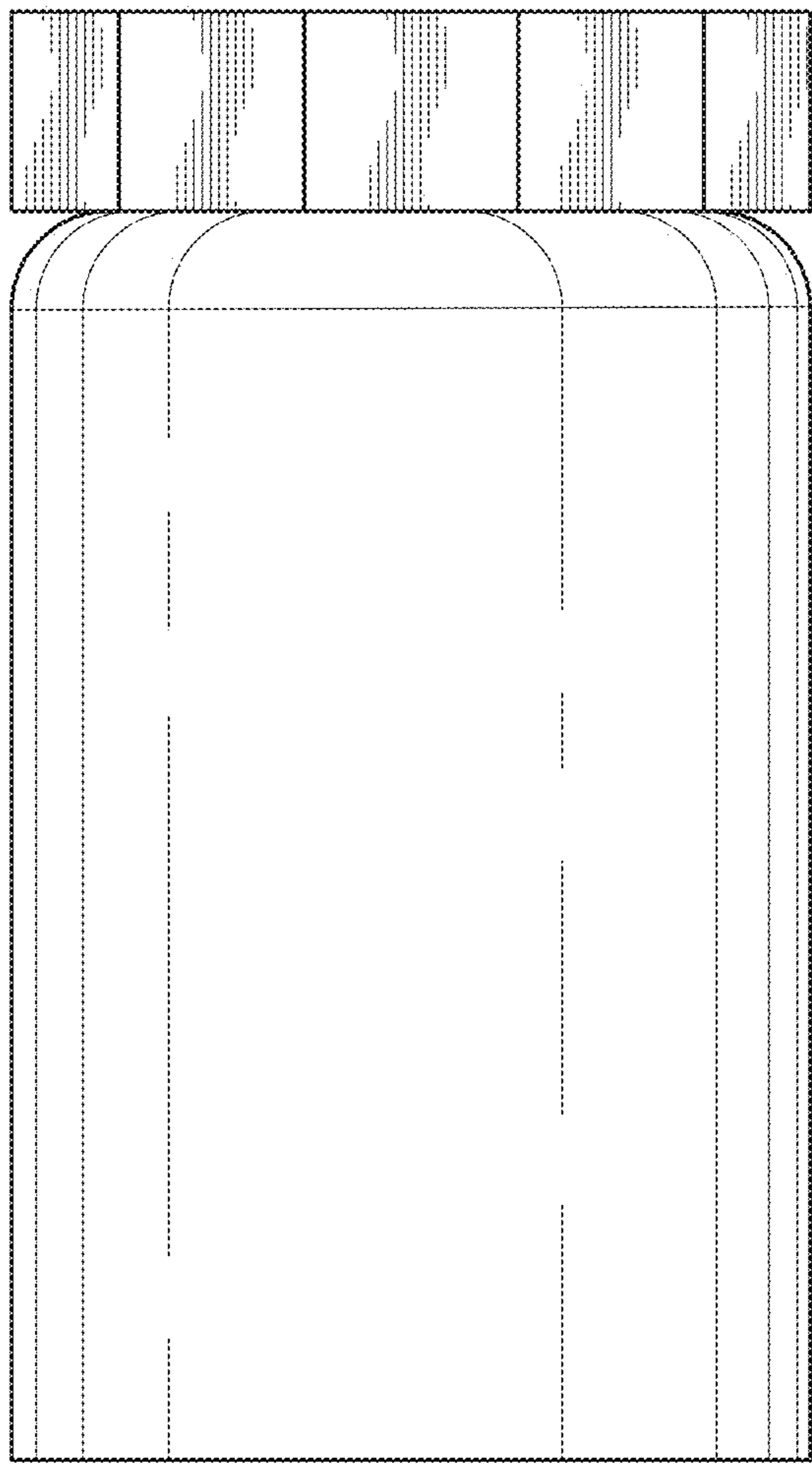


FIG. 4

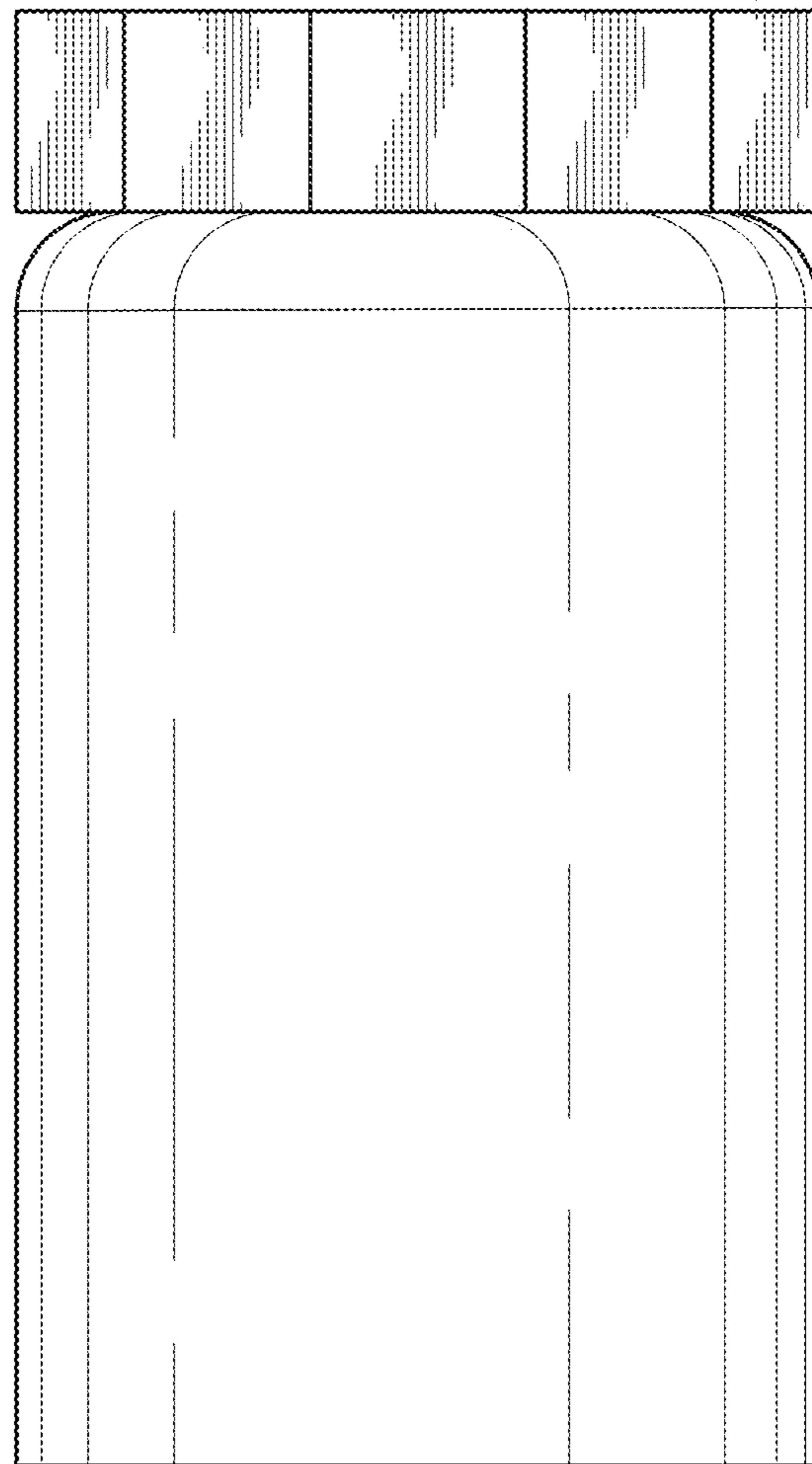
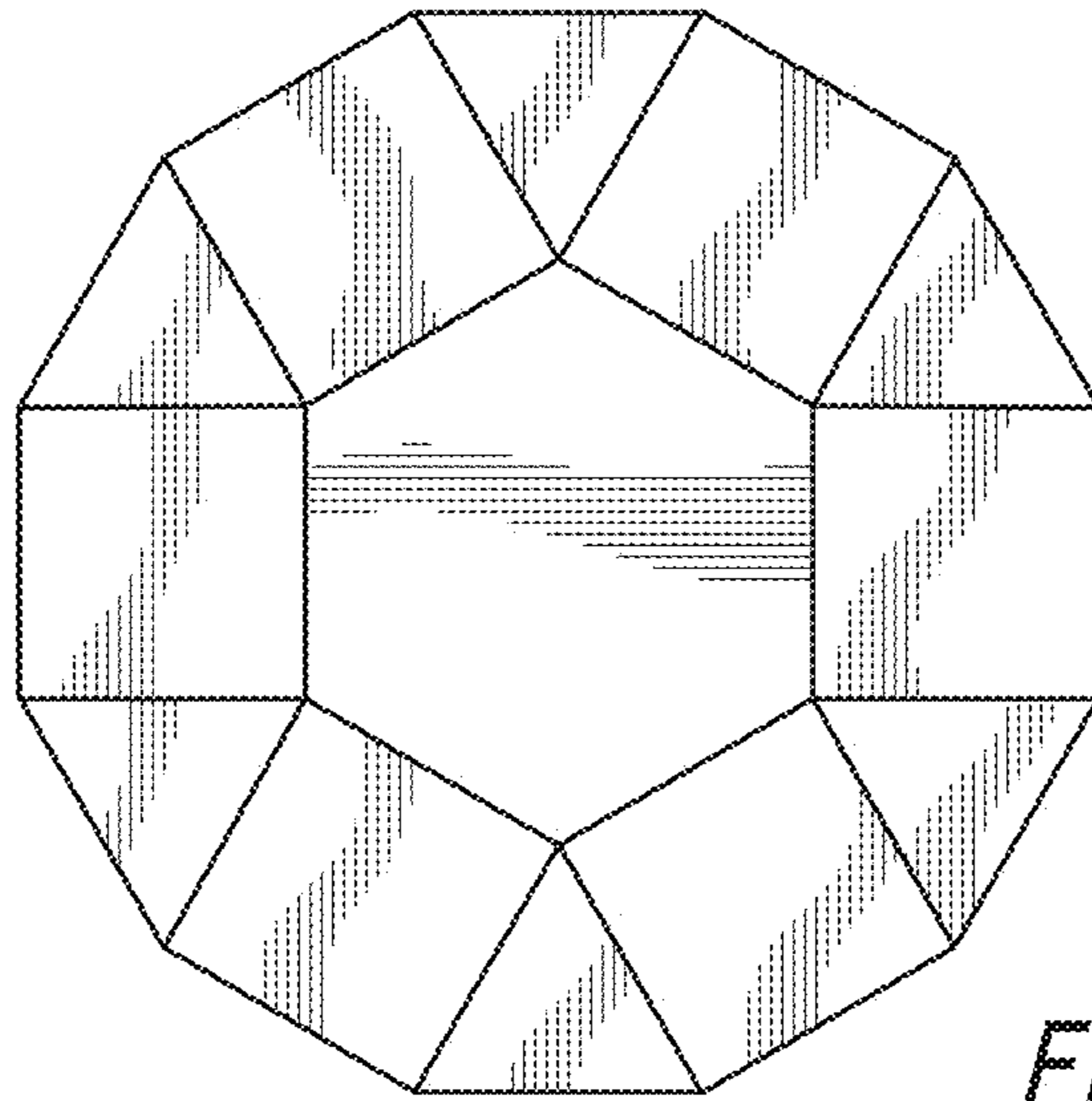
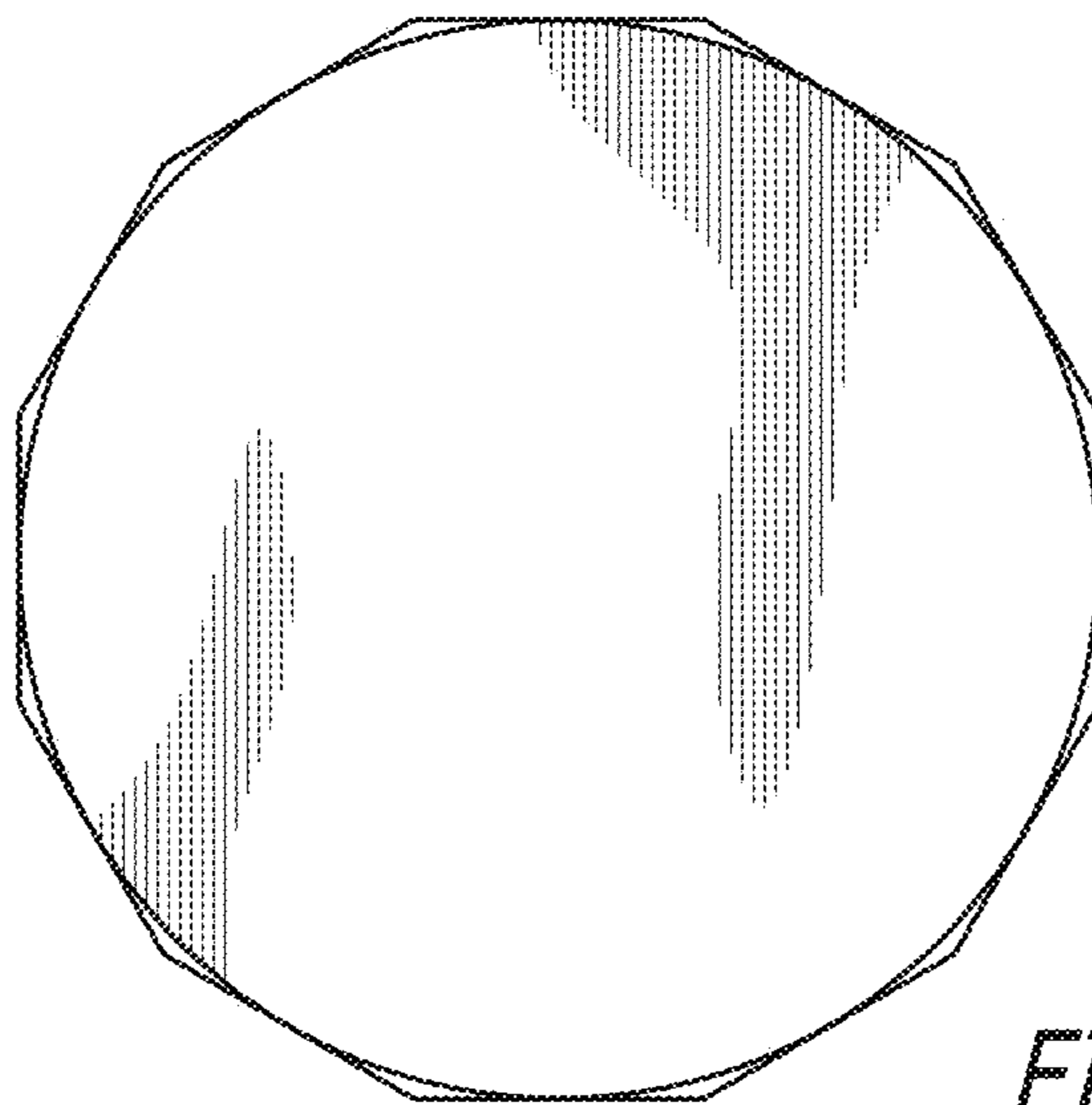


FIG. 5



*FIG. 6*



*FIG. 7*