



US00D987431S

(12) **United States Design Patent** (10) **Patent No.:** **US D987,431 S**
Bauer et al. (45) **Date of Patent:** **** *May 30, 2023**

(54) **VESSEL WITH LID**

(71) Applicant: **PIKNIK PRODUCTS COMPANY INC.**, Surrey (CA)

(72) Inventors: **Craig Joseph Bauer**, North Saanich (CA); **Natalie Isabel Green**, Delta (CA); **Gordon William Taschuk**, Surrey (CA)

(73) Assignee: **PIKNIK PRODUCTS COMPANY INC.**, Surrey (CA)

(*) Notice: This patent is subject to a terminal disclaimer.

(**) Term: **15 Years**

(21) Appl. No.: **29/747,020**

(22) Filed: **Aug. 19, 2020**

(51) **LOC (14) Cl.** **09-01**

(52) **U.S. Cl.**
USPC **D9/503**; D9/443; D9/454

(58) **Field of Classification Search**
USPC D9/434-435, 443, 454, 500, 503-504, D9/505, 516, 519, 530, 537, 539, 549, D9/558, 715; D26/9, 22
CPC B65D 1/00; B65D 1/02; B65D 1/0223; B65D 1/24; B65D 23/00; B65D 51/32; B65D 83/00; B65D 85/60; B65D 2501/00; B65D 2501/0009

See application file for complete search history.

(56) **References Cited**

U.S. PATENT DOCUMENTS

D57,488 S *	4/1921	Vivaudou	D9/503
D224,515 S *	8/1972	Amberg	D9/500
D224,516 S *	8/1972	Amberg	D9/500
D409,086 S *	5/1999	Brown	D9/504
D624,431 S *	9/2010	Gentil	D9/552
D630,097 S *	1/2011	Brochado	D9/503
D874,874 S *	2/2020	Borbujo	D7/584

* cited by examiner

Primary Examiner — Dana Meyrow

(74) *Attorney, Agent, or Firm* — Sand, Sebolt & Wernow Co., LPA

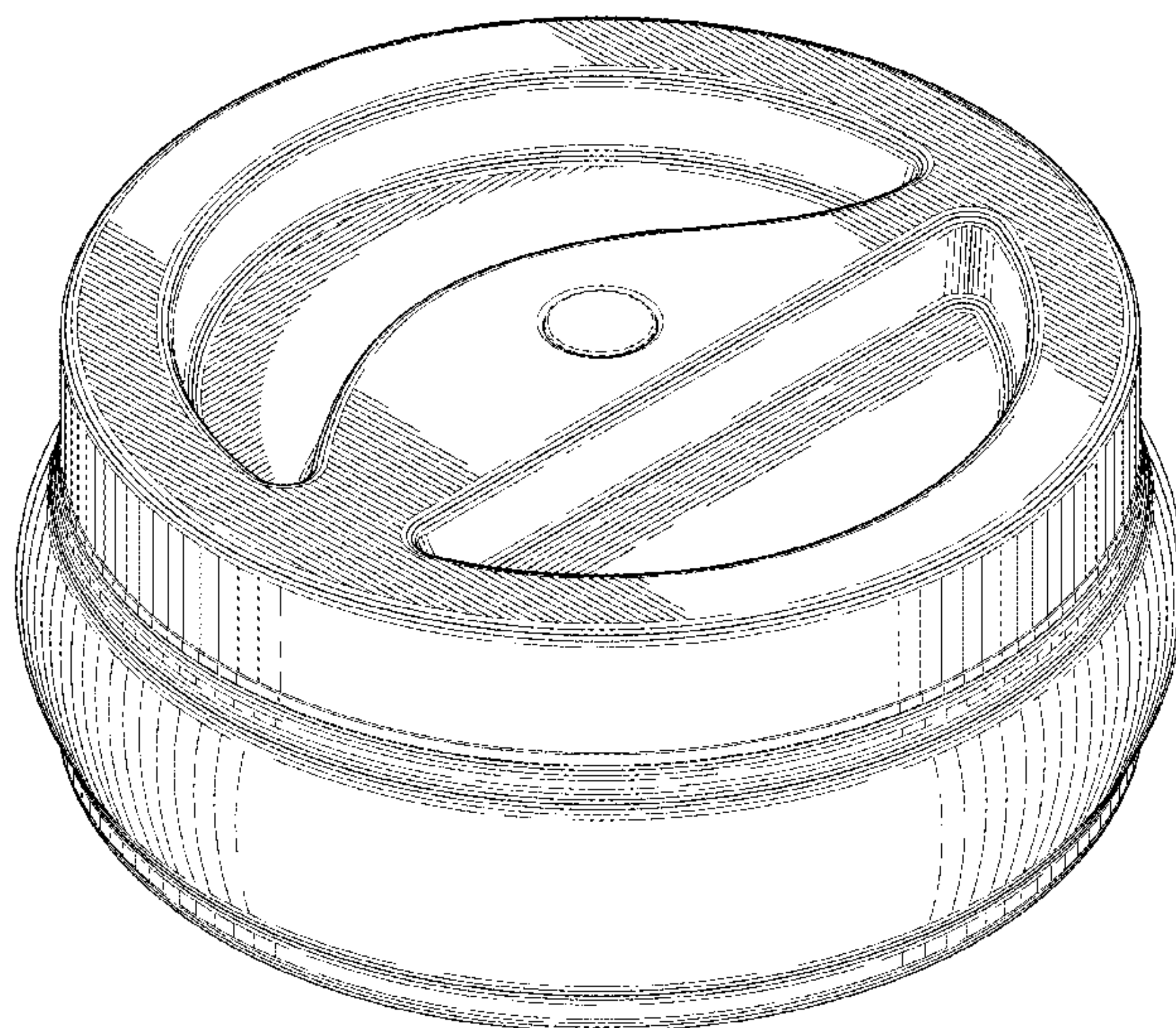
(57) **CLAIM**

The ornamental design for a vessel with lid, as shown and described.

DESCRIPTION

FIG. 1 is a top perspective view of a vessel with lid in accordance with our design;
FIG. 2 is a top plan view thereof; and,
FIG. 3 is a side elevation view thereof.
The broken lines illustrate portions of the vessel with lid which form no part of the claimed design.

1 Claim, 3 Drawing Sheets



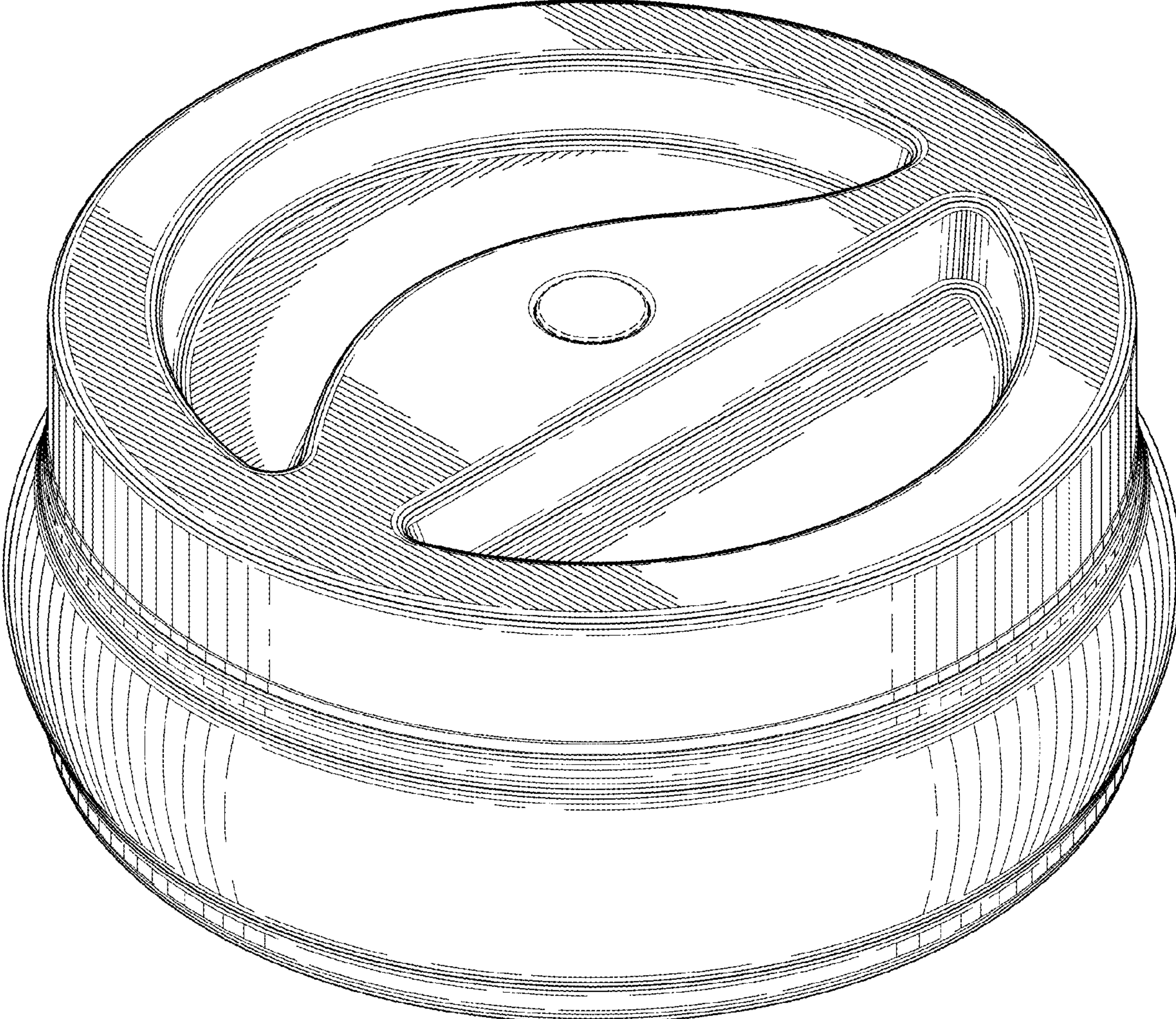


FIG. 1

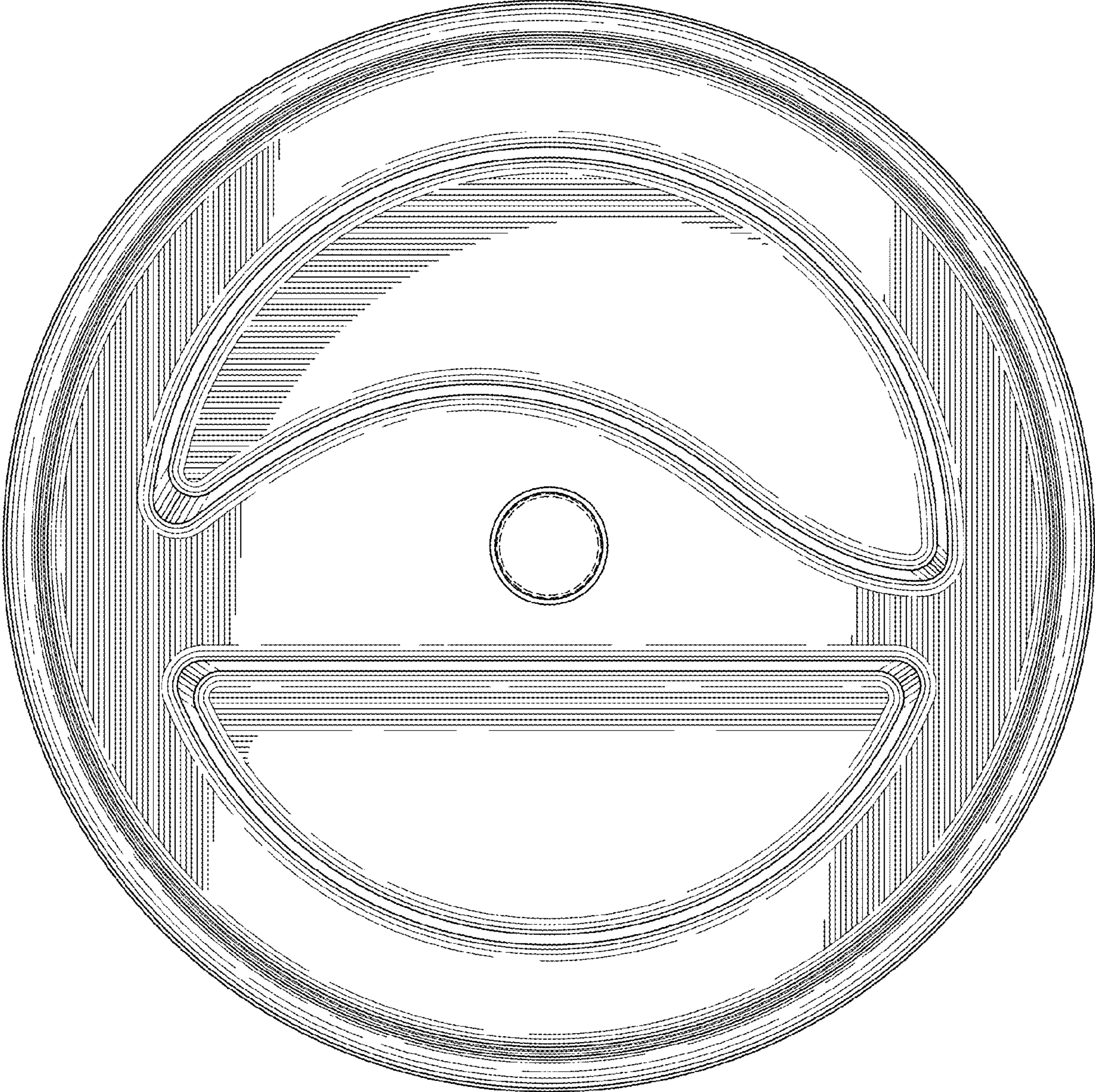


FIG. 2



FIG. 3