



US00D987425S

(12) **United States Design Patent**  
**Wang et al.**

(10) **Patent No.:** **US D987,425 S**

(45) **Date of Patent:** **\*\* May 30, 2023**

(54) **AMBIENT LIGHT**

(71) Applicant: **HANGZHOU LIFESMART TECHNOLOGY CO., LTD**, Zhejiang (CN)

(72) Inventors: **Jianhua Wang**, Zhejiang (CN);  
**Dongyue Wu**, Zhejiang (CN)

(73) Assignee: **HANGZHOU LIFESMART TECHNOLOGY CO., LTD**, Zhejiang (CN)

(\*\*) Term: **15 Years**

(21) Appl. No.: **29/804,122**

(22) Filed: **Aug. 18, 2021**

(30) **Foreign Application Priority Data**

Feb. 24, 2021 (CN) ..... 202130103916.0

(51) **LOC (14) Cl.** ..... **26-03**

(52) **U.S. Cl.**  
USPC ..... **D26/24; D26/72**

(58) **Field of Classification Search**  
USPC ..... D26/1, 22, 23, 24, 26, 37, 72  
CPC .... F21S 8/03; F21S 8/033; F21S 8/036; F21S 8/037

See application file for complete search history.

(56) **References Cited**

**U.S. PATENT DOCUMENTS**

D715,731 S \* 10/2014 Nook ..... D13/102  
D751,752 S \* 3/2016 Dodge ..... D26/138

D759,286 S \* 6/2016 Chen ..... D26/89  
D759,287 S \* 6/2016 Chen ..... D26/128  
D779,105 S \* 2/2017 Krueckeberg ..... D26/89  
D834,235 S \* 11/2018 Gambrel ..... D26/89  
D851,807 S \* 6/2019 Wu ..... D26/85  
D875,972 S \* 2/2020 Li ..... D26/24  
D904,498 S \* 12/2020 Lim ..... D16/237  
D958,435 S \* 7/2022 Guo ..... D26/72  
D961,146 S \* 8/2022 Wang ..... D26/89  
D965,829 S \* 10/2022 Zhang ..... D26/24  
D966,208 S \* 10/2022 Omori ..... D26/1  
2022/0400221 A1 \* 12/2022 Palero ..... H04N 5/2256

\* cited by examiner

*Primary Examiner* — Keli L Hill

*Assistant Examiner* — Harold E Blackwell, II

(74) *Attorney, Agent, or Firm* — Muncy, Geissler, Olds & Lowe, P.C.

(57) **CLAIM**

The ornamental design for an ambient light, as shown and described.

**DESCRIPTION**

FIG. 1 is a front elevational view of an ambient light showing our new design;

FIG. 2 is a rear elevational view of FIG. 1;

FIG. 3 is a left side view of FIG. 1;

FIG. 4 is a right side view of FIG. 1;

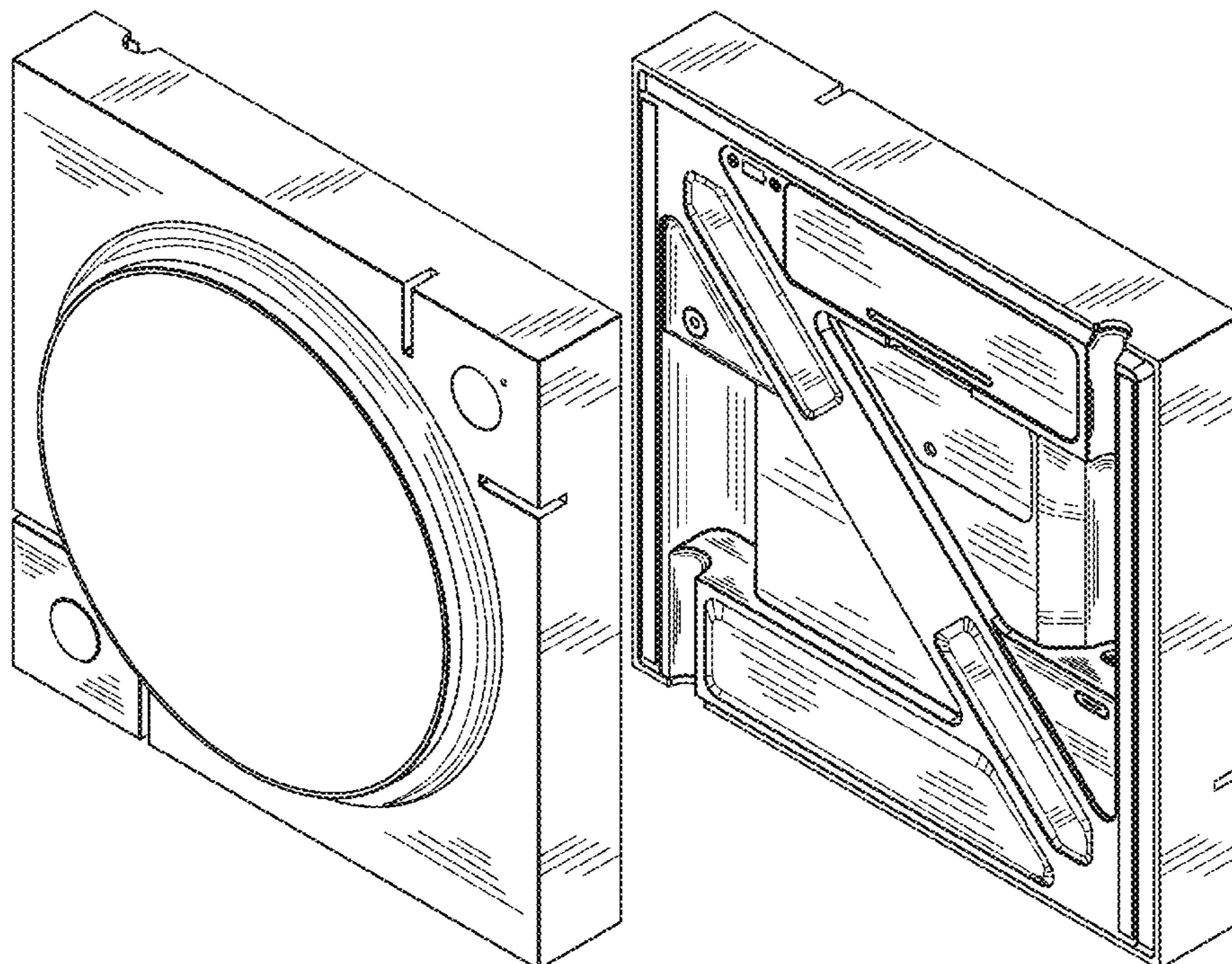
FIG. 5 is a top plan view of FIG. 1;

FIG. 6 is a bottom plan view of FIG. 1;

FIG. 7 is a top, rear and left side perspective view of FIG. 1; and,

FIG. 8 is a top, rear and right side perspective view of FIG. 2.

**1 Claim, 7 Drawing Sheets**



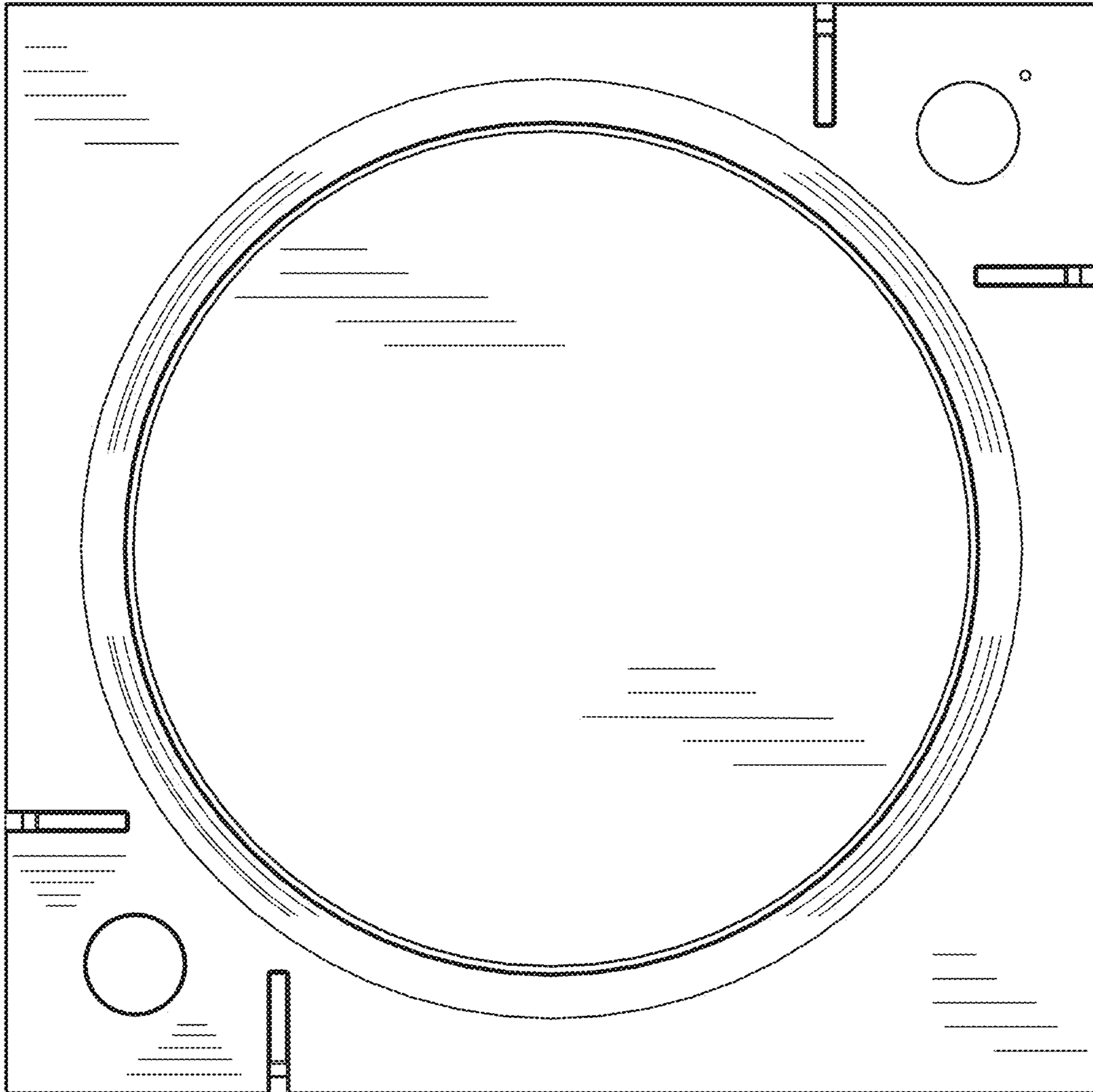


Fig.1

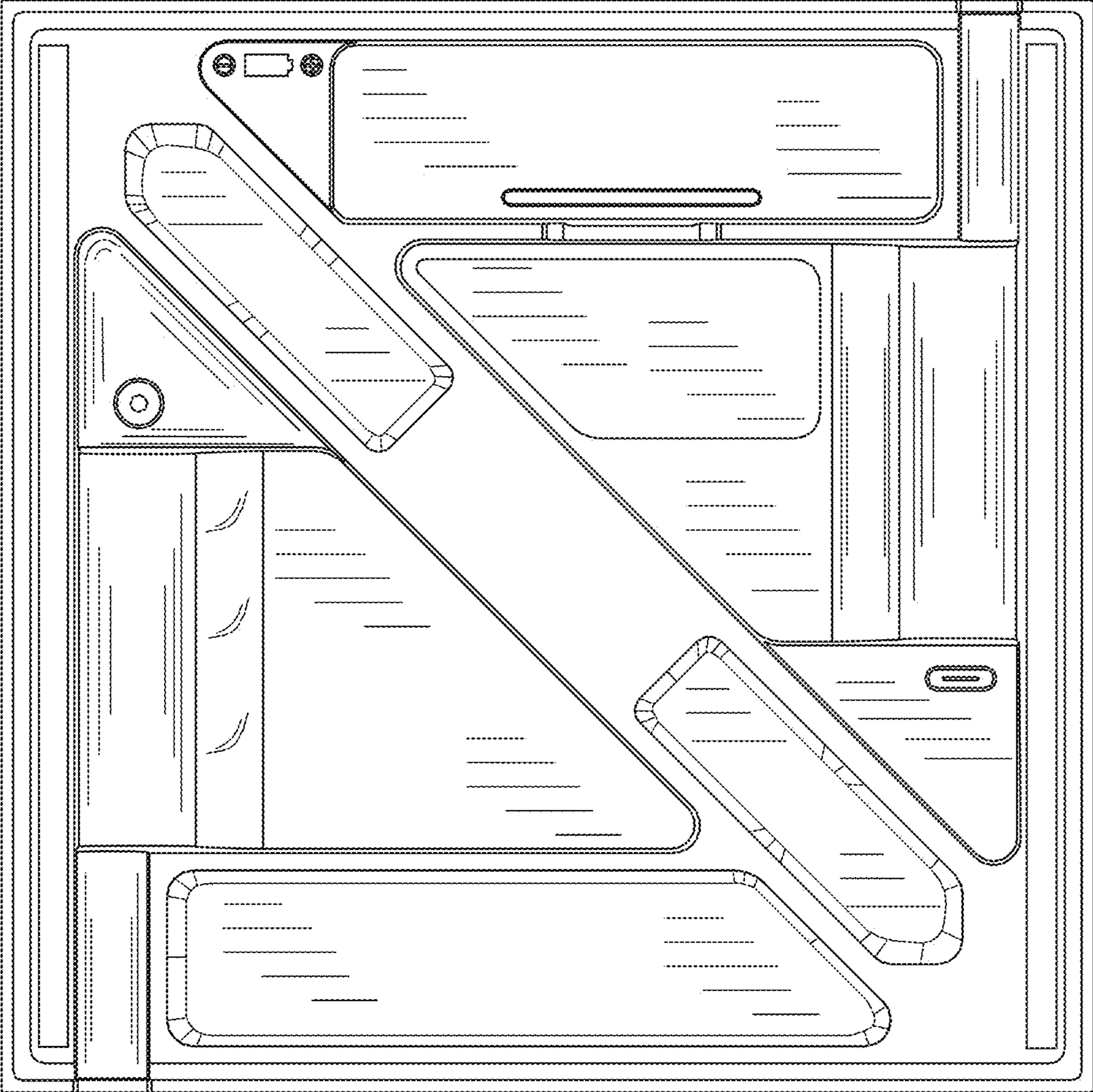


Fig.2



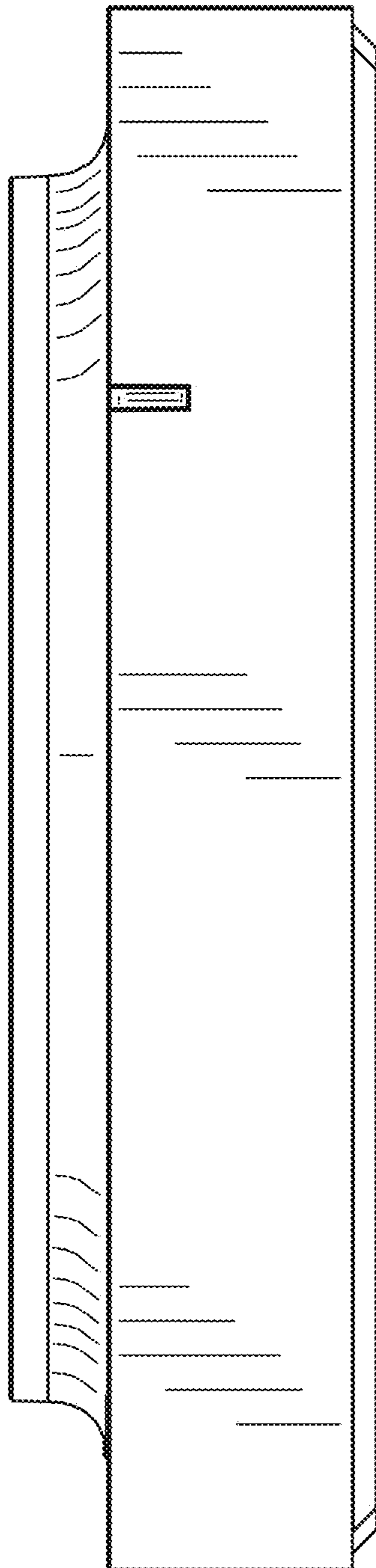


Fig.3

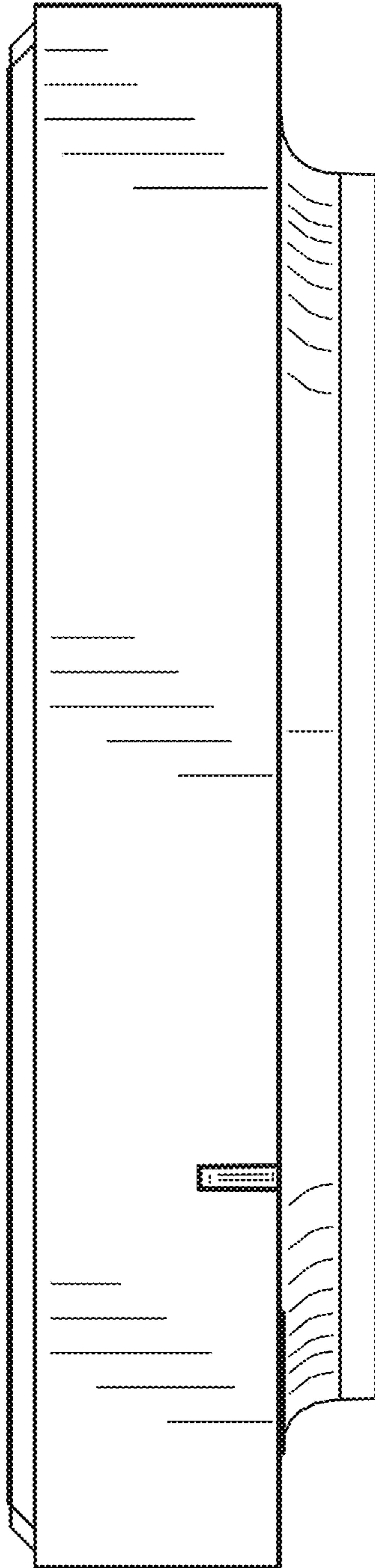


Fig.4

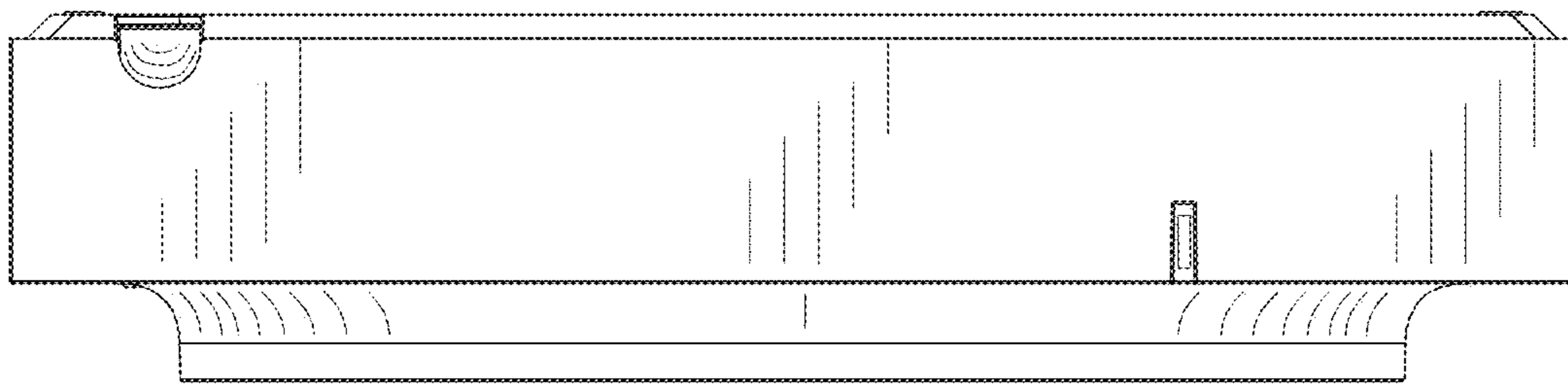


Fig.5

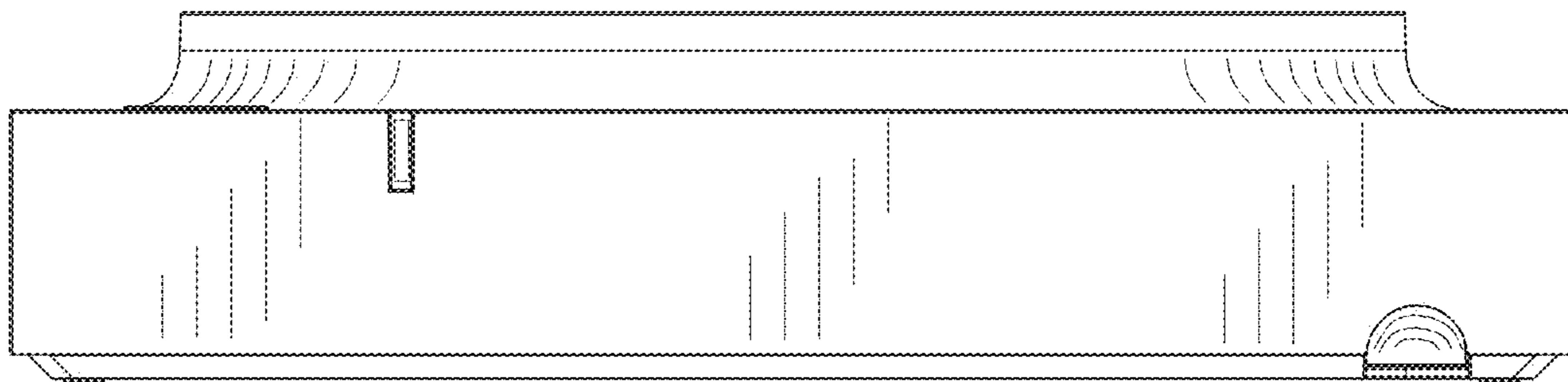


Fig.6

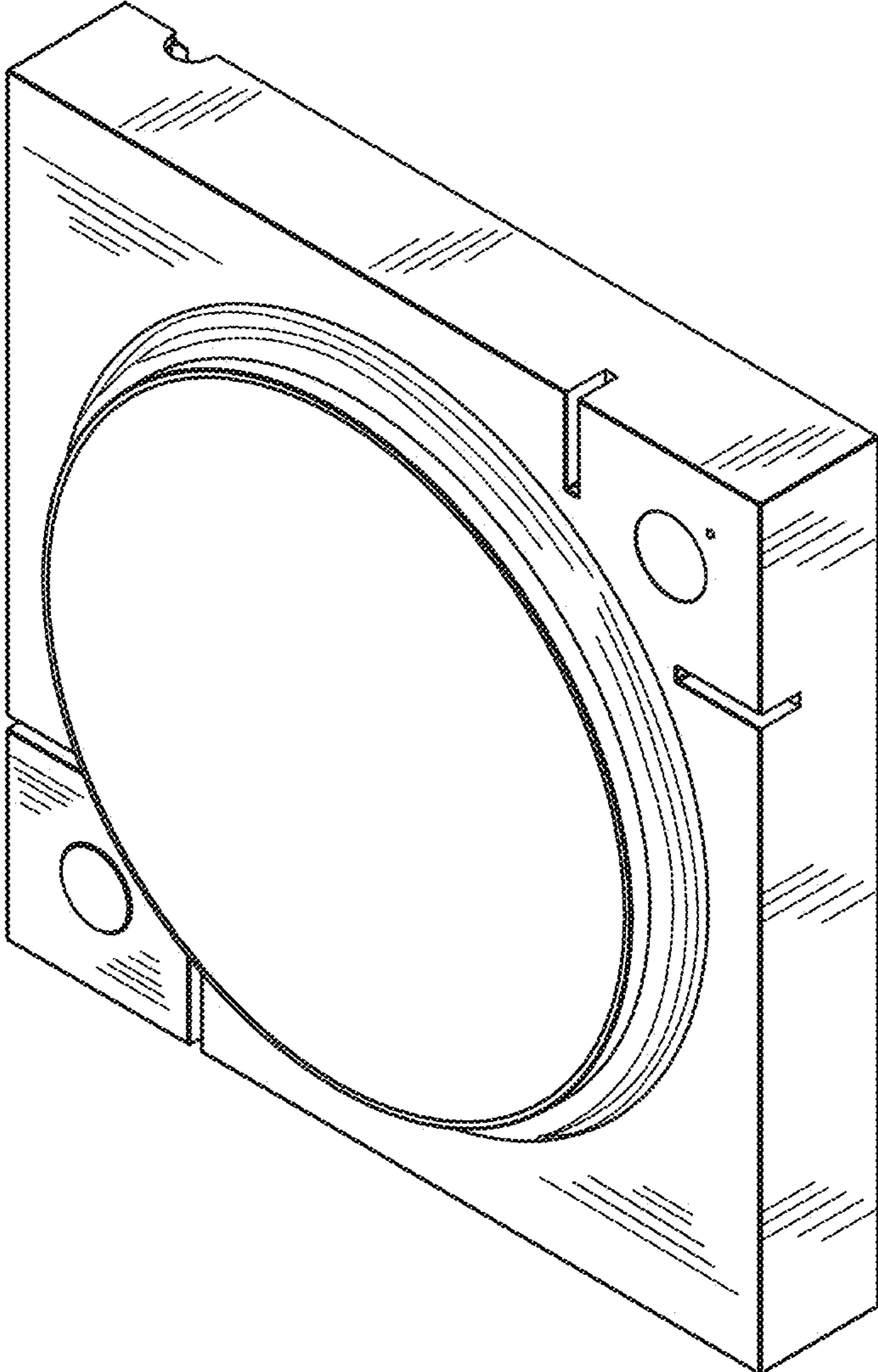


Fig.7

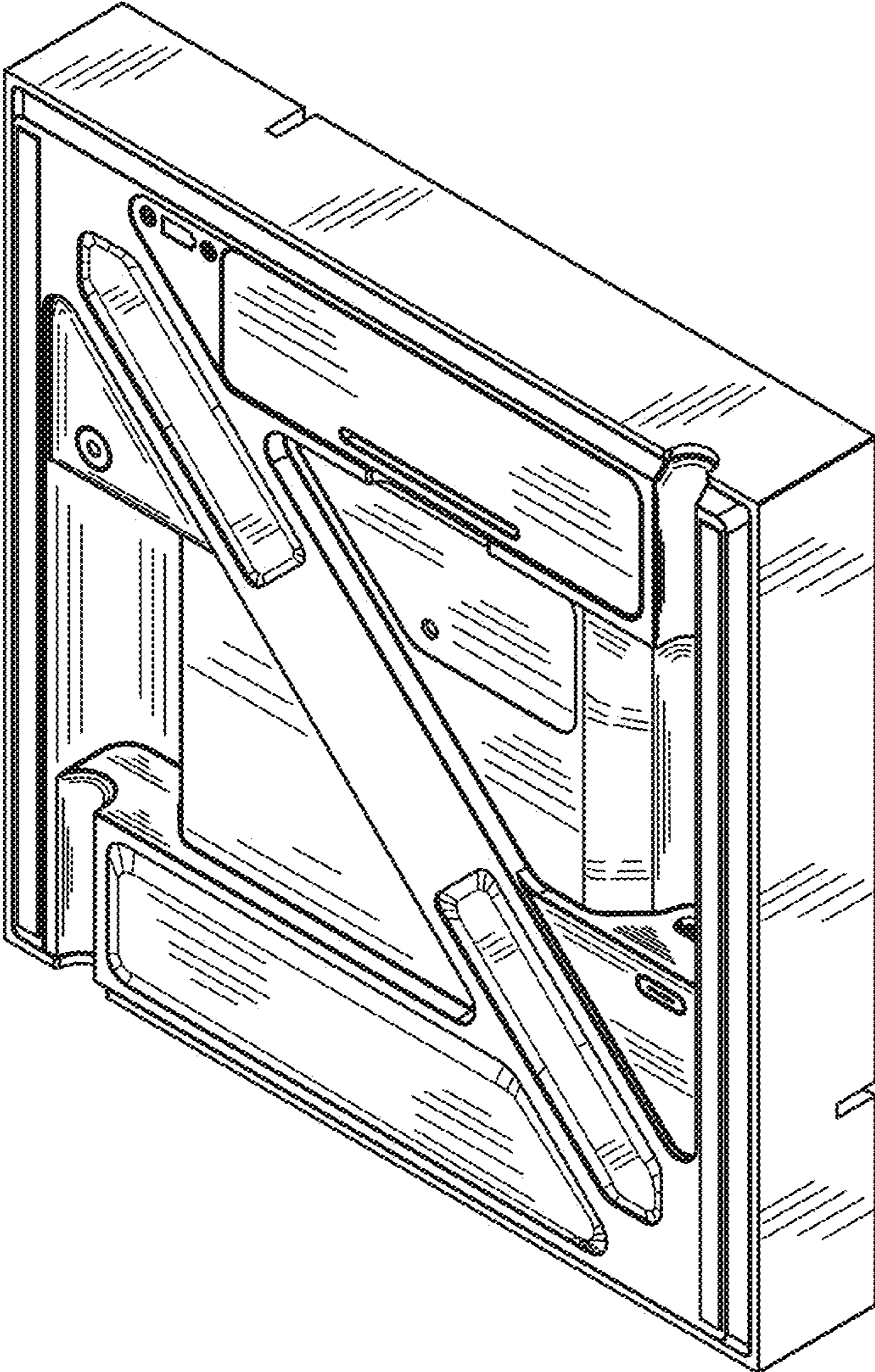


Fig.8