



US00D987424S

(12) **United States Design Patent**
Brunk et al.

(10) **Patent No.:** **US D987,424 S**

(45) **Date of Patent:** **** May 30, 2023**

- (54) **SELF-PIERCING CLINCH WASHER**
- (71) Applicant: **Penn Engineering & Manufacturing Corp.**, Danboro, PA (US)
- (72) Inventors: **Jonathan Brunk**, Philadelphia, PA (US); **XiaoMing Chen**, Kunshan (CN)
- (73) Assignee: **Penn Engineering & Manufacturing Corp.**, Danboro, PA (US)
- (**) Term: **15 Years**
- (21) Appl. No.: **29/726,540**
- (22) Filed: **Mar. 4, 2020**
- (51) **LOC (14) Cl.** **08-08**
- (52) **U.S. Cl.**
USPC **D8/399**
- (58) **Field of Classification Search**
USPC D8/399, 382, 349; 411/120, 114, 147
CPC A61B 5/0057; F23R 3/002; F16B 31/028;
F16D 3/68
See application file for complete search history.

- 3,288,191 A * 11/1966 Thorborg F16B 39/24
411/149
 - 3,348,595 A * 10/1967 Stevens, Jr. B65D 33/1625
24/30.5 R
 - D217,540 S * 5/1970 Weise D8/397
 - 3,679,266 A * 7/1972 Jenkins F16B 41/002
206/347
 - D243,063 S * 1/1977 Mooney D8/397
 - 4,286,807 A * 9/1981 Bachli F16L 19/005
285/382.7
 - 4,293,257 A * 10/1981 Peterson G01L 5/243
411/11
 - D282,818 S * 3/1986 Bos D8/382
 - D340,942 S * 11/1993 Smith D17/99
 - D372,419 S * 8/1996 Ikegami D8/382
 - 5,618,143 A * 4/1997 Cronin, II B25B 13/48
411/120
 - 5,674,034 A * 10/1997 Bennett F16B 39/10
411/120
 - D390,923 S * 2/1998 Stevens B65D 33/1625
D23/262
 - 5,967,722 A * 10/1999 Fett F16B 39/10
411/120
 - 6,387,055 B1 * 5/2002 Christy A61B 5/0057
600/557
 - D482,847 S * 12/2003 Lee D2/869
- (Continued)

Primary Examiner — Cynthia R Underwood
(74) *Attorney, Agent, or Firm* — Gregory J. Gore, Esq.

(56) **References Cited**

U.S. PATENT DOCUMENTS

- 716,095 A * 12/1902 Peterson F16B 39/24
411/136
- 1,181,109 A * 5/1916 Carr F16B 39/24
411/136
- 2,124,249 A * 7/1938 Guiducci F16B 39/24
411/114
- 2,666,468 A * 1/1954 Poupitch B21D 53/20
29/417
- 2,770,277 A * 11/1956 Poupitch F16B 39/26
411/957
- D198,713 S * 7/1964 Curtiss D8/397
- 3,260,293 A * 7/1966 Gohs F16B 37/02
411/147

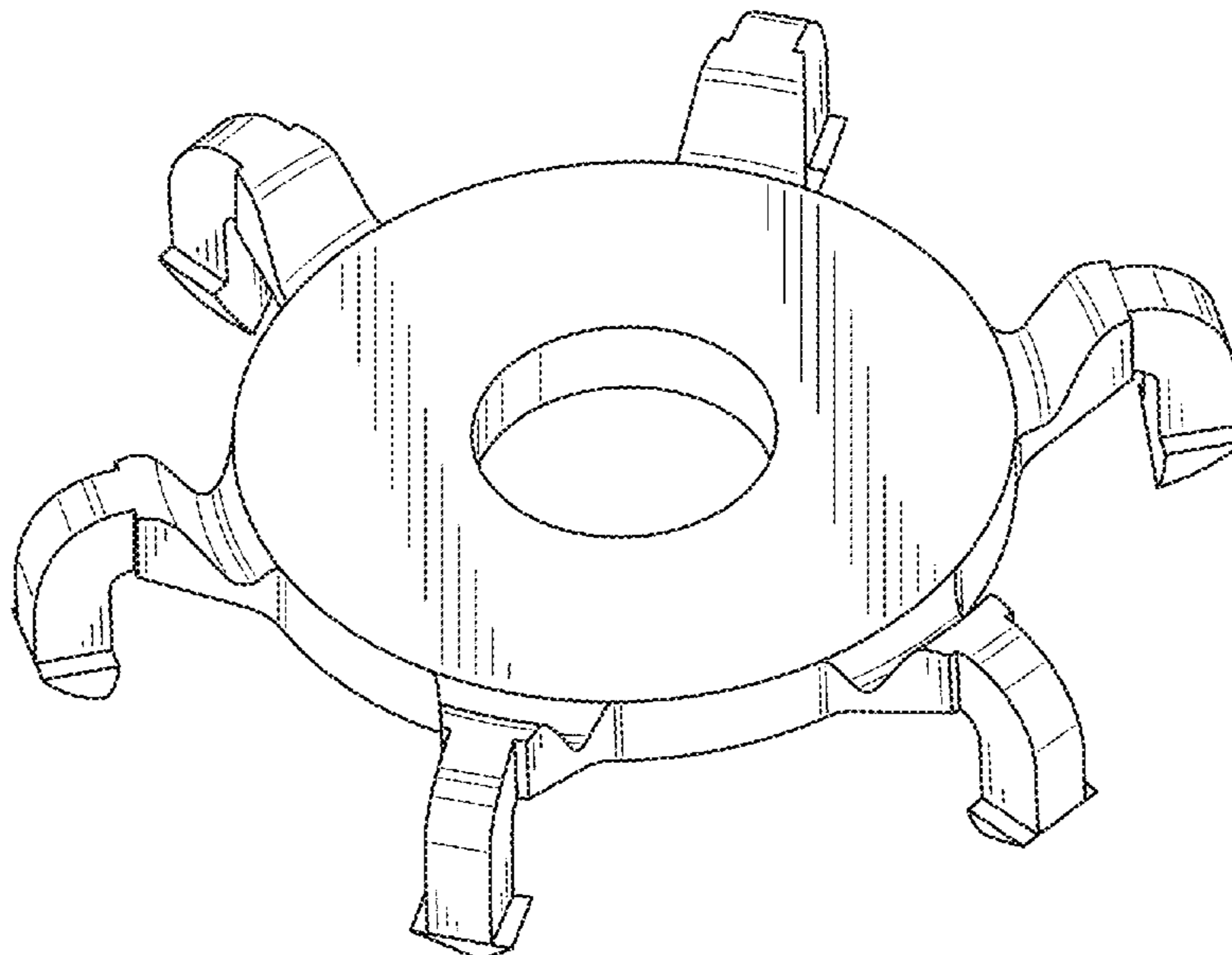
(57) **CLAIM**

The ornamental design for a self-piercing clinch washer, as shown and described.

DESCRIPTION

FIG. 1 is a perspective view of a self-piercing clinch washer showing our new design;
FIG. 2 is a front elevational view thereof;
FIG. 3 is a side elevational view thereof;
FIG. 4 is a top plan view thereof; and,
FIG. 5 is a bottom plan view.

1 Claim, 3 Drawing Sheets



(56)

References Cited

U.S. PATENT DOCUMENTS

D494,056	S *	8/2004	Clendenning	D8/399
D520,856	S *	5/2006	Osiecki	D8/312
D527,245	S *	8/2006	Kelleghan	D8/356
D534,416	S *	1/2007	Kelleghan	D8/356
D548,581	S *	8/2007	Du Rousseau	D8/399
D619,940	S *	7/2010	Strang	D12/159
D658,978	S *	5/2012	Linares	D8/399
D669,985	S *	10/2012	Cheney	D24/140
D710,191	S *	8/2014	Yamazaki	D8/399
D719,013	S *	12/2014	St. John	D8/356
D747,183	S *	1/2016	Davidson	D8/397
D748,973	S *	2/2016	Rodenhouse	D8/399
9,458,610	B2 *	10/2016	Malaker	F16B 31/024
D775,933	S *	1/2017	Hill	D8/349
D775,934	S *	1/2017	Hill	D8/349
D777,917	S *	1/2017	Kabra	D24/144
D783,393	S *	4/2017	Weifenbach	D8/399
D795,682	S *	8/2017	Downs	D8/382
D799,702	S *	10/2017	Wong	D24/186
D800,319	S *	10/2017	Wong	D24/186
D817,153	S *	5/2018	Harogolige Padmanabha	D8/356
D841,455	S *	2/2019	Barwick	D8/399
D841,456	S *	2/2019	Barwick	D8/399
2003/0220146	A1 *	11/2003	Bonninger	F16D 3/68 464/73
2015/0176434	A1 *	6/2015	Gerends	F23R 3/002 411/531
2015/0226249	A1 *	8/2015	Otto	F16B 31/028 29/525.02

* cited by examiner

FIG. 1

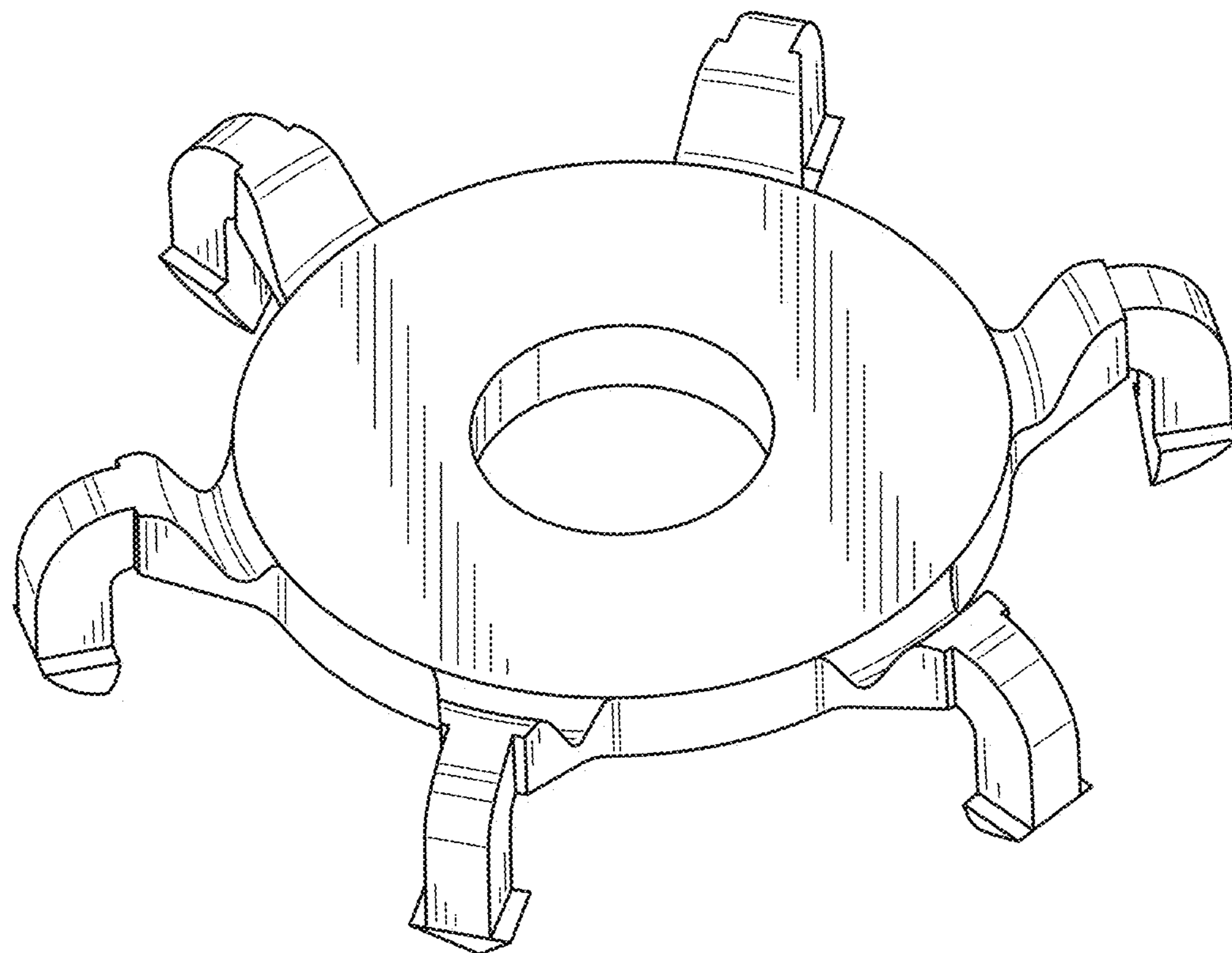


FIG. 2

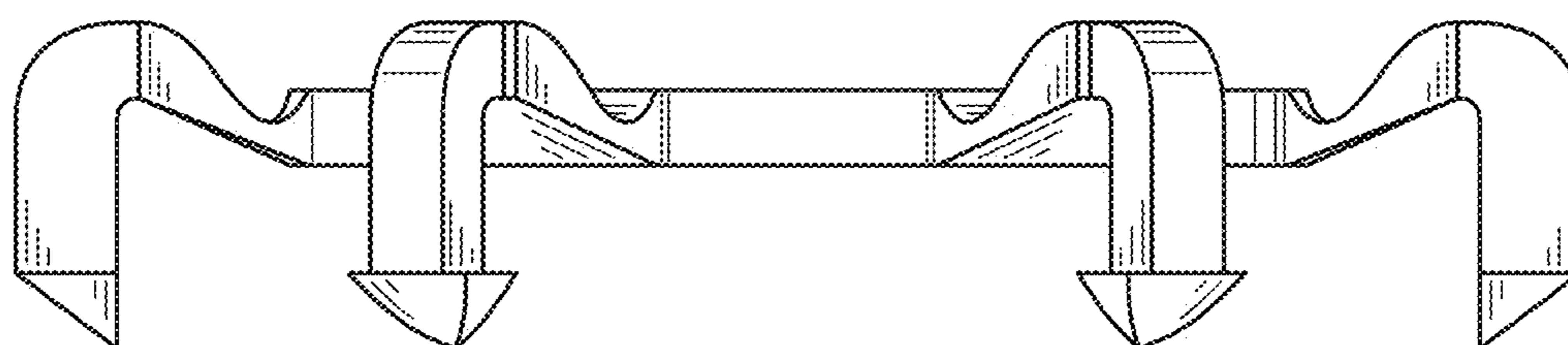


FIG. 3

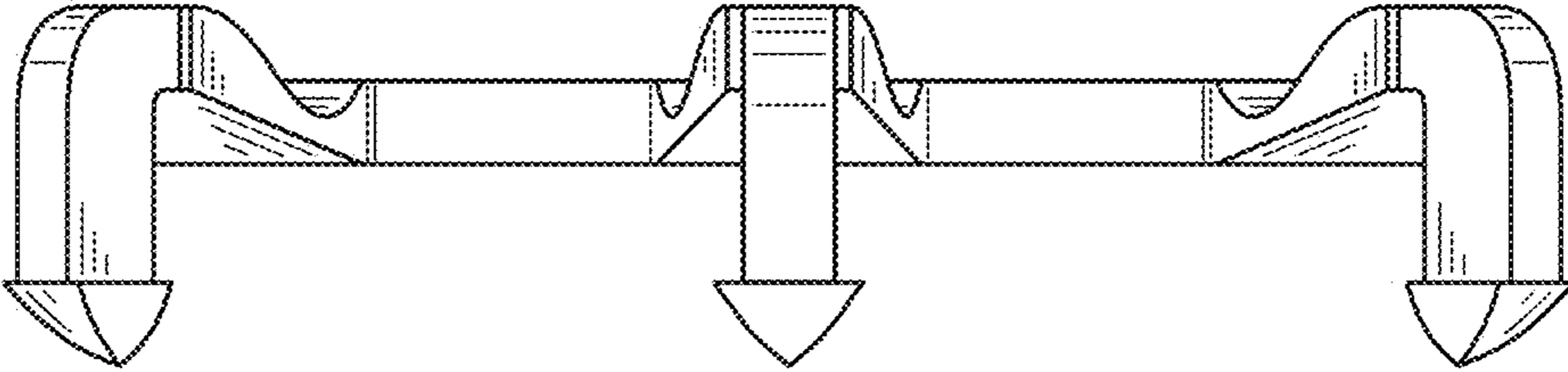


FIG. 4

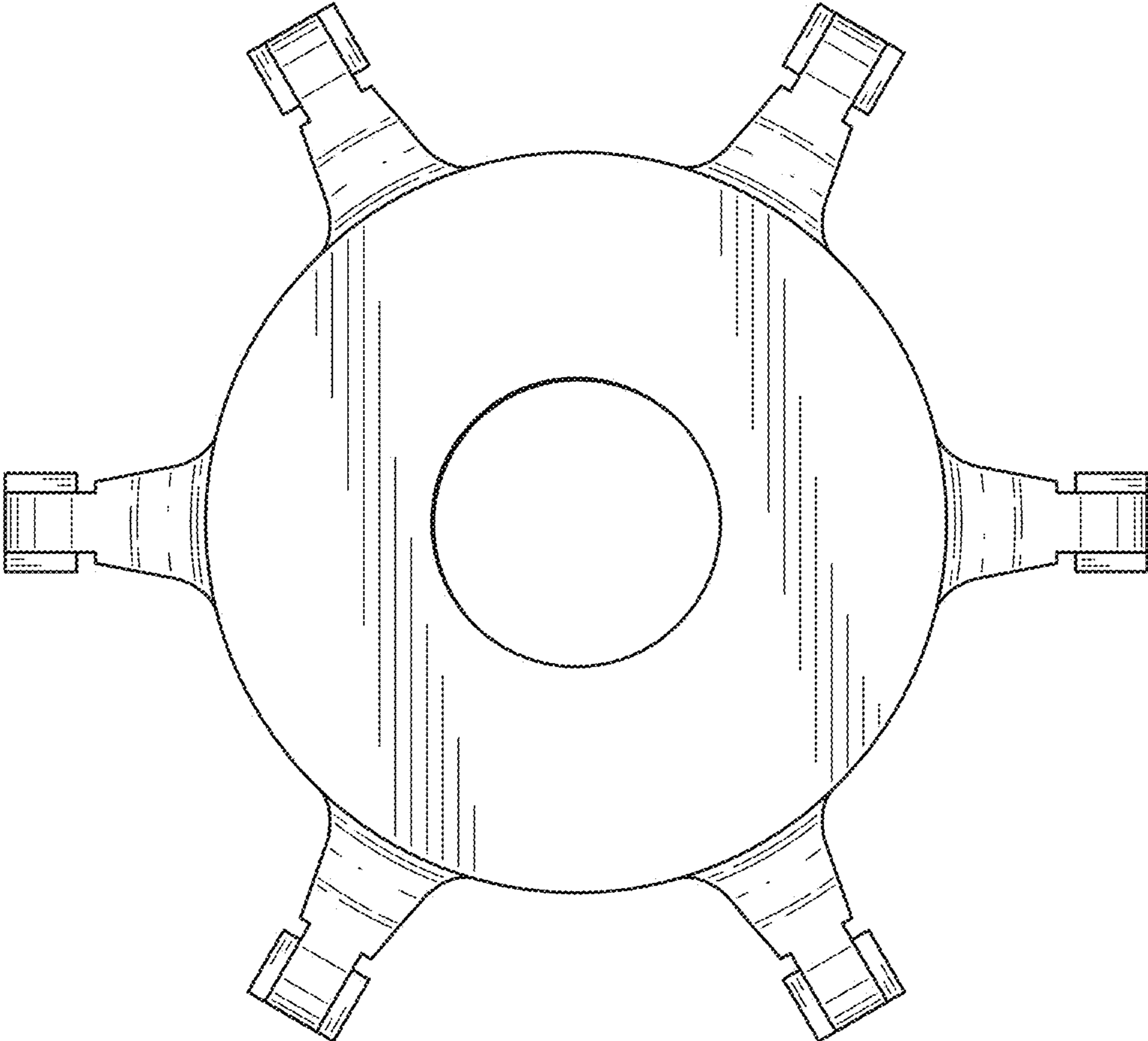


FIG. 5

