



US00D987423S

(12) **United States Design Patent**  
**Kosuga et al.**

(10) **Patent No.:** **US D987,423 S**

(45) **Date of Patent:** **\*\* May 30, 2023**

(54) **LIFTING CLAMP**

(71) Applicant: **KITO CORPORATION**, Yamanashi (JP)

(72) Inventors: **Kosuke Kosuga**, Yamanashi (JP); **Rika Suzuki**, Yamanashi (JP); **Shigeo Terai**, Yamanashi (JP)

(73) Assignee: **KITO CORPORATION**, Yamanashi (JP)

(\*\*) Term: **15 Years**

(21) Appl. No.: **29/795,612**

(22) Filed: **Jun. 18, 2021**

(30) **Foreign Application Priority Data**

Dec. 21, 2020 (JP) ..... 2020-027576 D

(51) **LOC (14) Cl.** ..... **08-11**

(52) **U.S. Cl.**  
USPC ..... **D8/367**

(58) **Field of Classification Search**  
USPC ..... D8/382, 383, 394, 349, 354, 355, 356,  
D8/395, 367; D25/133; D34/35;  
D12/162  
CPC ..... B65D 88/1675; B65D 2519/00786; B65D  
90/0033; B66C 1/00; B66C 1/10; B66C  
1/66; B66C 1/68

See application file for complete search history.

(56) **References Cited**

**U.S. PATENT DOCUMENTS**

D33,373 S \* 10/1900 Bidle ..... D8/367  
D172,741 S \* 8/1954 Cooper ..... D8/367

D198,281 S \* 5/1964 Mills ..... D8/367  
D415,951 S \* 11/1999 Kraine ..... B61D 45/001  
D8/354  
D523,326 S \* 6/2006 Naderney ..... B61D 45/001  
D8/354  
D638,695 S \* 5/2011 Woodrow ..... D8/382  
D661,627 S \* 6/2012 Noone ..... D12/162  
D803,668 S \* 11/2017 Bradshaw ..... B66C 1/66  
D8/367  
10,259,691 B1 \* 4/2019 Hong ..... B66C 1/66  
2015/0028614 A1 \* 1/2015 Norpoth ..... B66C 1/66  
294/215  
2019/0202669 A1 \* 7/2019 Betzler ..... B66C 1/66

\* cited by examiner

*Primary Examiner* — Calvin E Vansant

*Assistant Examiner* — Benjamin Lucas Gray

(74) *Attorney, Agent, or Firm* — Lewis Roca Rothgerber  
Christie LLP

(57) **CLAIM**

The ornamental design for a lifting clamp, as shown and described.

**DESCRIPTION**

FIG. 1 is a top perspective view of a lifting clamp showing our new design;

FIG. 2 is a front view thereof;

FIG. 3 is a rear view thereof;

FIG. 4 is a left side view thereof;

FIG. 5 is a right side view thereof;

FIG. 6 is a top plan view thereof; and,

FIG. 7 is a bottom plan view thereof.

The broken lines in the drawings are for the purpose of illustrating unclaimed portions of the lifting clamp and form no part of the claimed design.

**1 Claim, 4 Drawing Sheets**

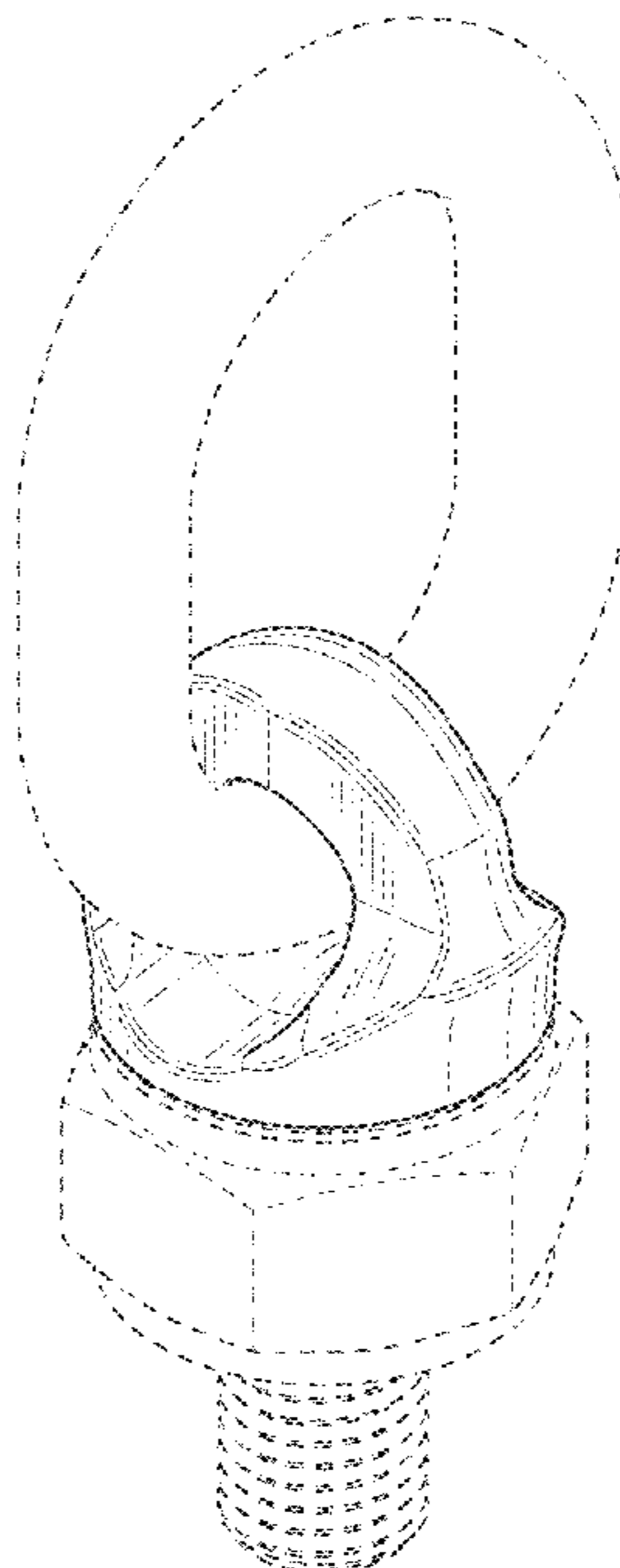


FIG. 1

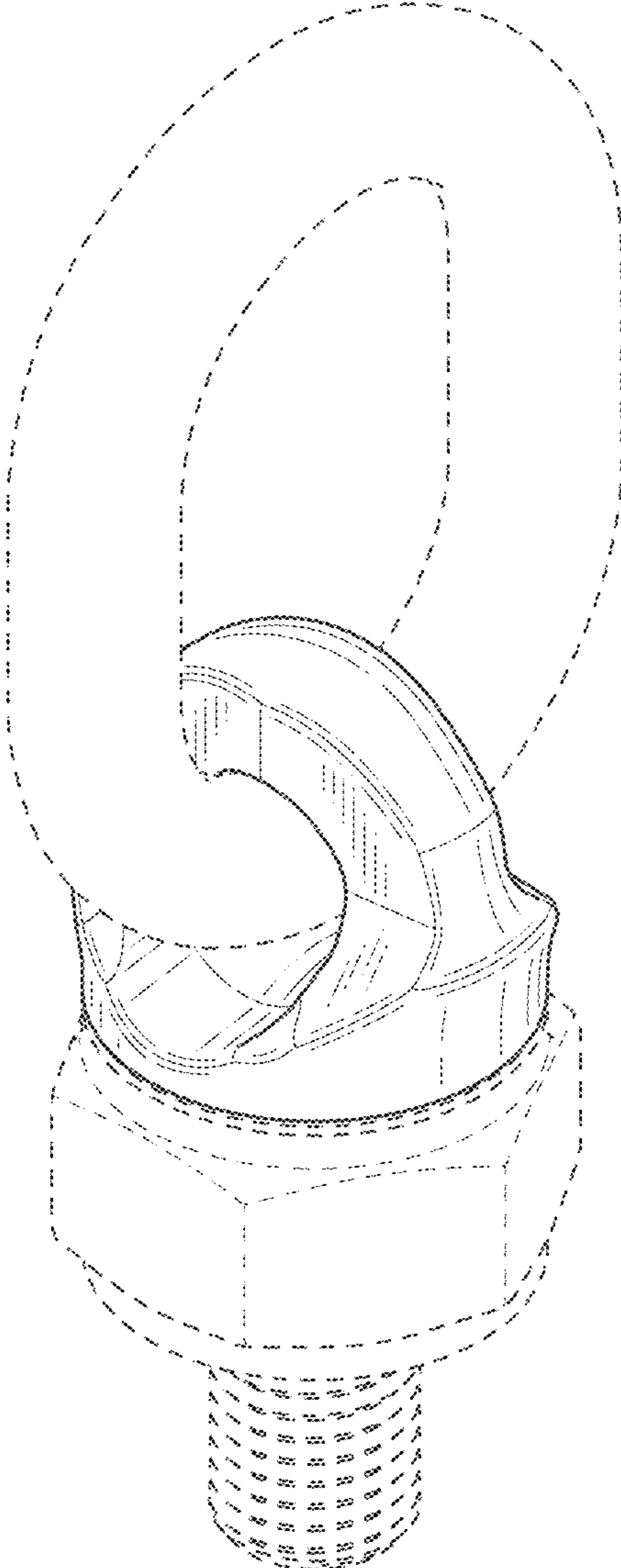


FIG. 2

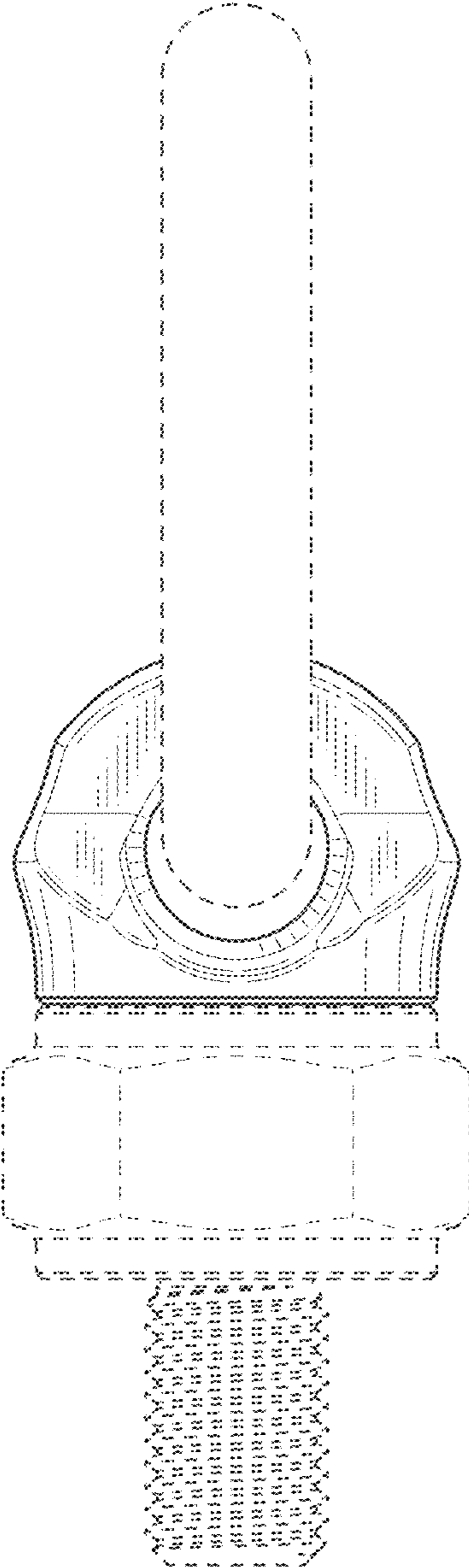


FIG. 3

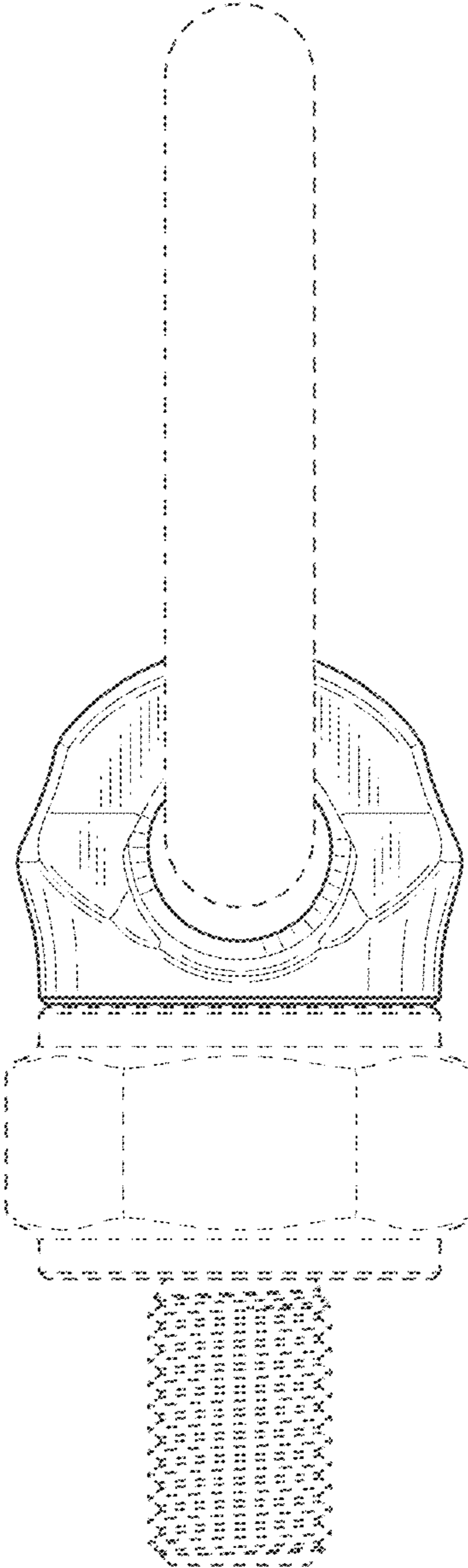


FIG. 4

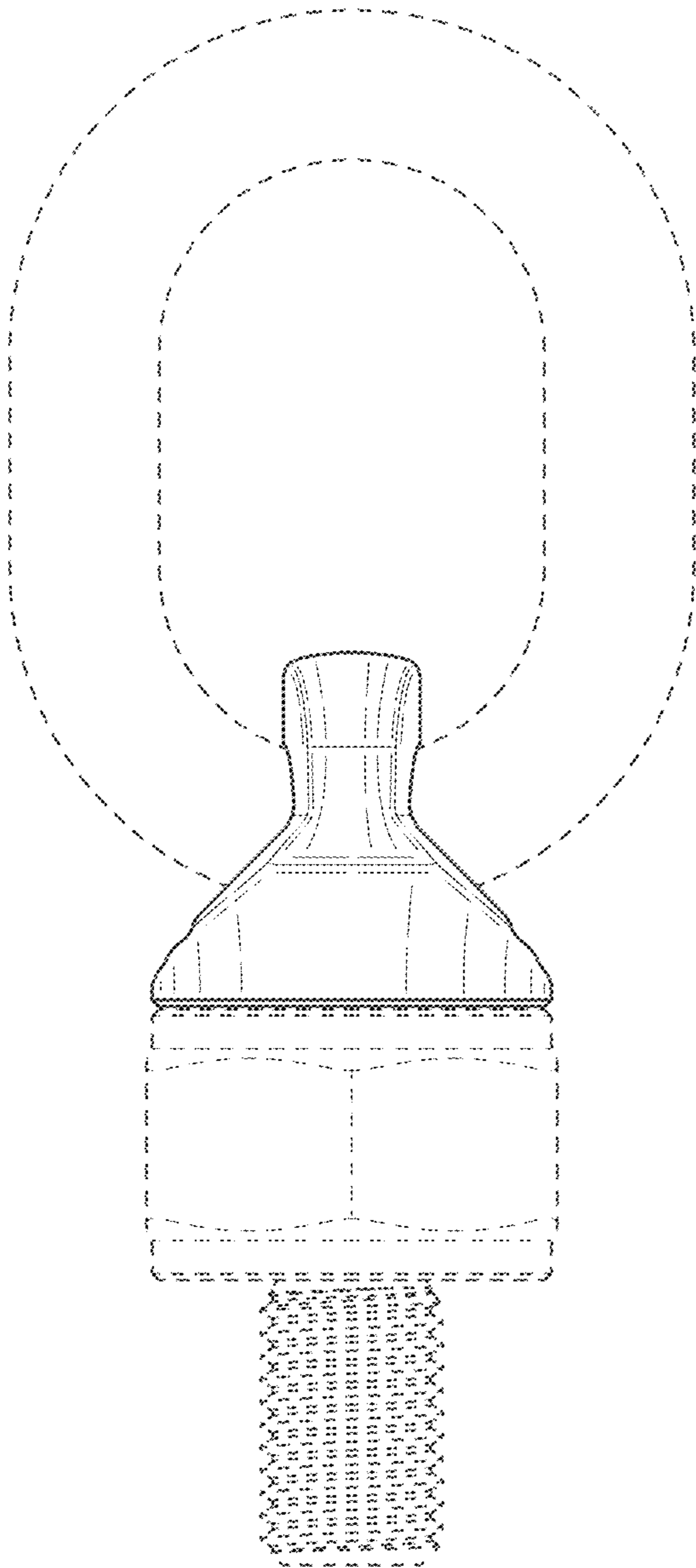


FIG. 5

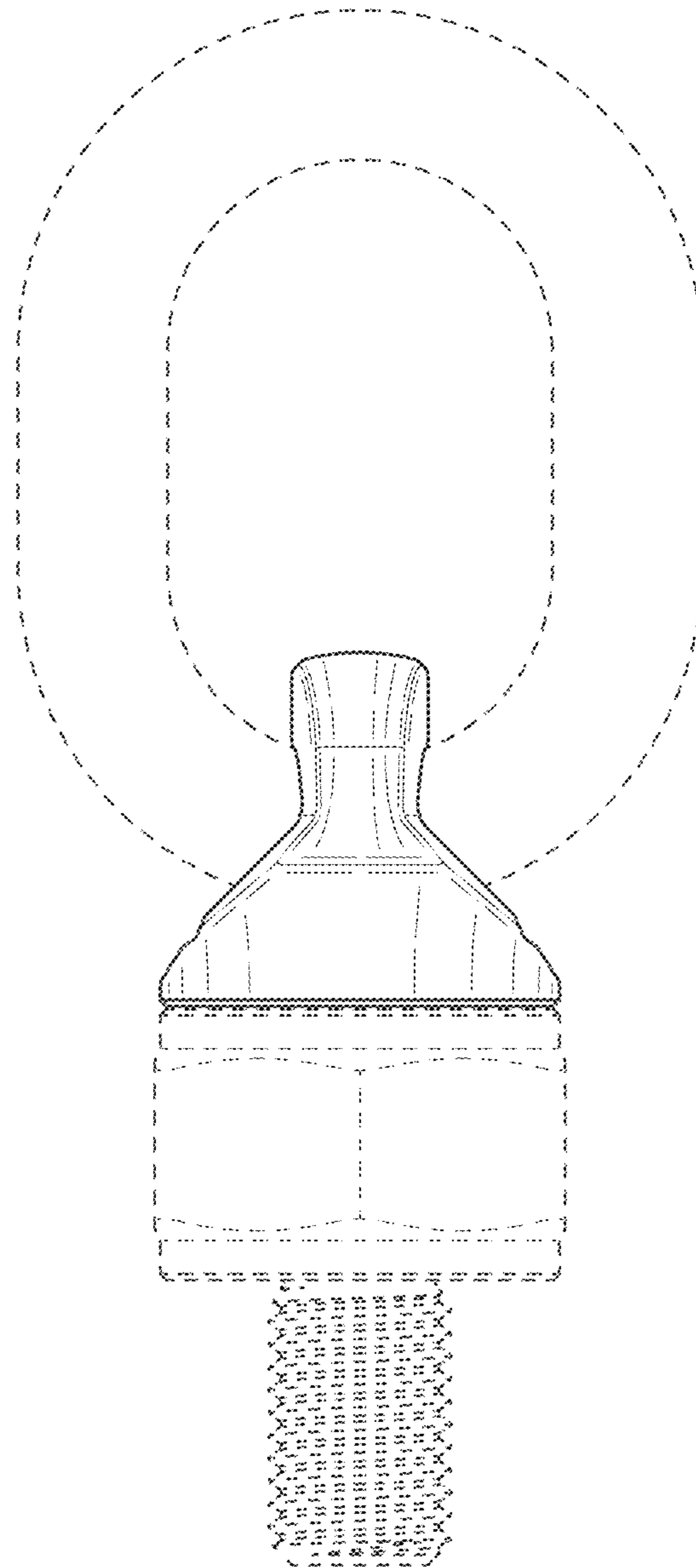


FIG. 6

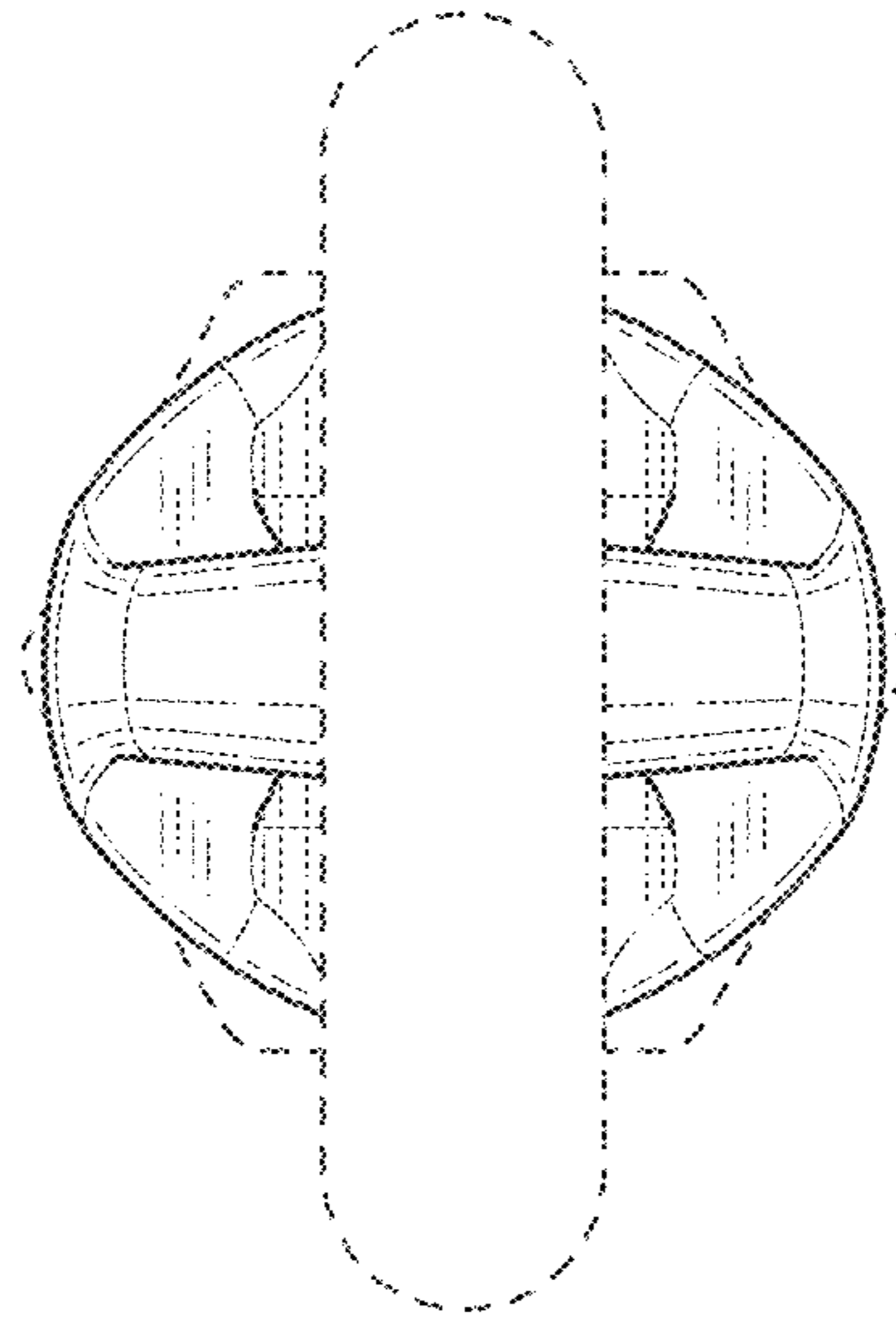
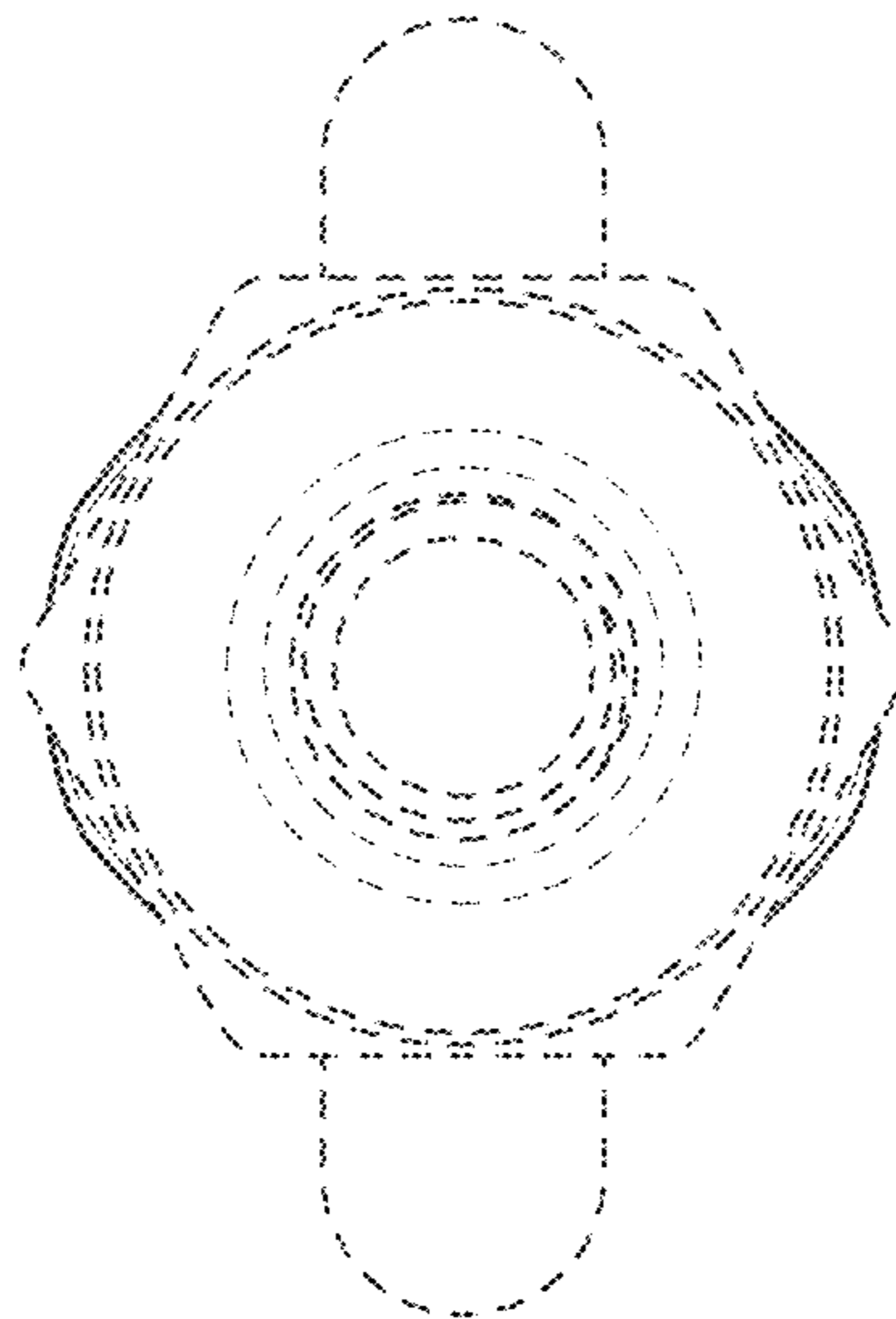


FIG. 7



UNITED STATES PATENT AND TRADEMARK OFFICE  
**CERTIFICATE OF CORRECTION**

PATENT NO. : D987,423 S  
APPLICATION NO. : 29/795612  
DATED : May 30, 2023  
INVENTOR(S) : Kosuke Kosuga et al.

Page 1 of 1

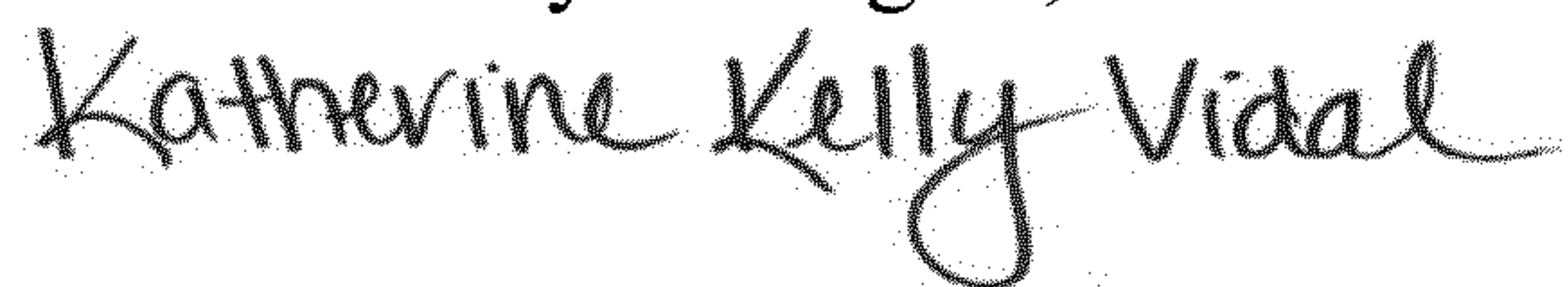
It is certified that error appears in the above-identified patent and that said Letters Patent is hereby corrected as shown below:

On the Title Page

Column 2, item (57) Description, Line 1

Delete "is is" and  
Insert -- is --

Signed and Sealed this  
First Day of August, 2023



Katherine Kelly Vidal  
*Director of the United States Patent and Trademark Office*