



US00D987419S

(12) **United States Design Patent**
Wang

(10) **Patent No.:** **US D987,419 S**

(45) **Date of Patent:** **** May 30, 2023**

(54) **WALL MOUNT**

(71) Applicant: **SHENZHEN LIYI99.COM, LTD.**,
Shenzhen (CN)

(72) Inventor: **Xuzhong Wang**, Shenzhen (CN)

(73) Assignee: **SHENZHEN LIYI99.COM, LTD.**,
Shenzhen (CN)

(**) Term: **15 Years**

(21) Appl. No.: **29/788,568**

(22) Filed: **Jun. 24, 2021**

(30) **Foreign Application Priority Data**

Dec. 29, 2020 (CN) 202030815865.X

(51) **LOC (14) Cl.** **08-11**

(52) **U.S. Cl.**
USPC **D8/373**

(58) **Field of Classification Search**
USPC D8/373, 363, 366; D22/127, 61, 62, 249;
D6/323, 367
CPC A47F 5/08; A47B 96/061; A47B 57/562;
A47B 73/00; A47B 81/007; A47B
96/027; A01K 5/02; A01K 5/0225; A01K
5/0266; A01K 5/0291; A01K 5/00; F16M
13/02; F16M 13/022; F16M 11/10; F16M
2200/024; A22B 5/00; A22B 5/06; A01M
31/008; A01M 31/00; A01M 31/02; A47G
25/08; B66D 3/04; H01Q 1/1228; A45F
3/26

See application file for complete search history.

(56) **References Cited**

U.S. PATENT DOCUMENTS

D46,297 S * 8/1914 Smith D8/380
1,189,988 A * 7/1916 Moody A47B 96/061
211/90.01

2,429,586 A * 10/1947 Rompre A47B 96/061
29/897
2,859,879 A * 11/1958 Rogers A47B 96/061
211/90.01
3,669,395 A * 6/1972 Gehrke A47F 5/08
108/29
4,010,697 A * 3/1977 Einhorn A47B 96/061
248/245
D323,716 S * 2/1992 Shook D25/127
D411,738 S * 6/1999 Raasch D8/381
D494,045 S * 8/2004 Van Essen D8/366
D520,349 S * 5/2006 Boroviak D8/381
D561,571 S * 2/2008 Houghland D8/381
D583,223 S * 12/2008 Bunn, Sr. D8/371
D605,932 S * 12/2009 Piersant D8/381
D646,840 S * 10/2011 Polka D26/138

(Continued)

Primary Examiner — Eliza Z Harvey

Assistant Examiner — Kayla Marie Bennett

(74) *Attorney, Agent, or Firm* — Marshall, Gerstein &
Borun LLP

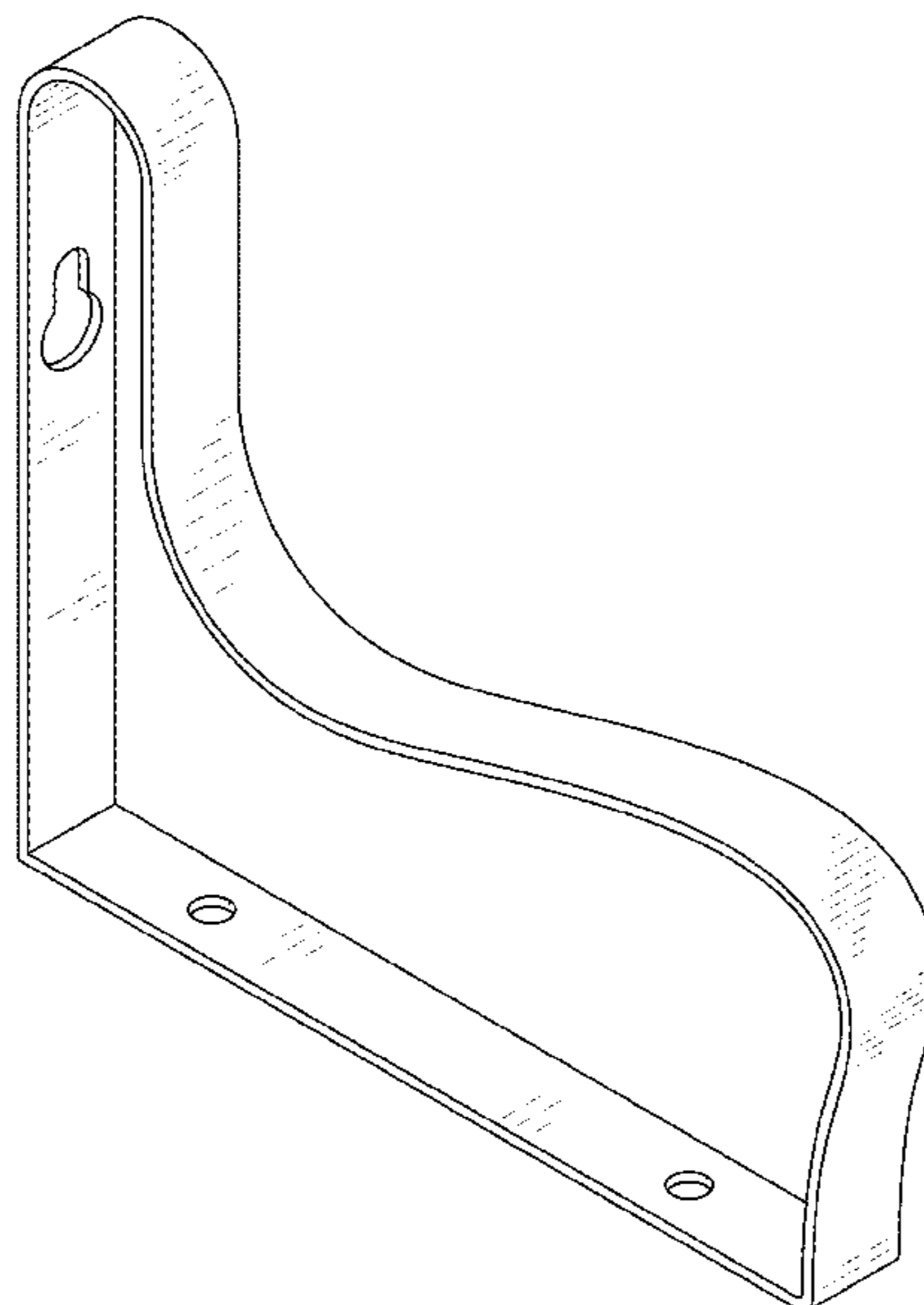
(57) **CLAIM**

The ornamental design for wall mount, as shown and
described.

DESCRIPTION

FIG. 1 is a top right perspective view of a wall mount
showing our new design;
FIG. 2 is a front view thereof;
FIG. 3 is a rear view thereof;
FIG. 4 is a right side view thereof;
FIG. 5 is a left side view thereof;
FIG. 6 is a top view thereof;
FIG. 7 is a bottom view thereof; and,
FIG. 8 is a perspective view of the wall mount where the
wall mount is in a configuration of use.
The broken lines shown in FIG. 8 represent environmental
structure that forms no part of the claimed design.

1 Claim, 8 Drawing Sheets



(56)

References Cited

U.S. PATENT DOCUMENTS

D666,549 S	*	9/2012	Gagnon	D12/223
D730,720 S	*	6/2015	Nowak	D8/355
D754,405 S	*	4/2016	Herde	D30/121
D805,880 S	*	12/2017	Bright	D8/381
D830,781 S	*	10/2018	Kuo	D7/601
D897,131 S		9/2020	Wang	
D916,522 S		4/2021	Hong	

* cited by examiner

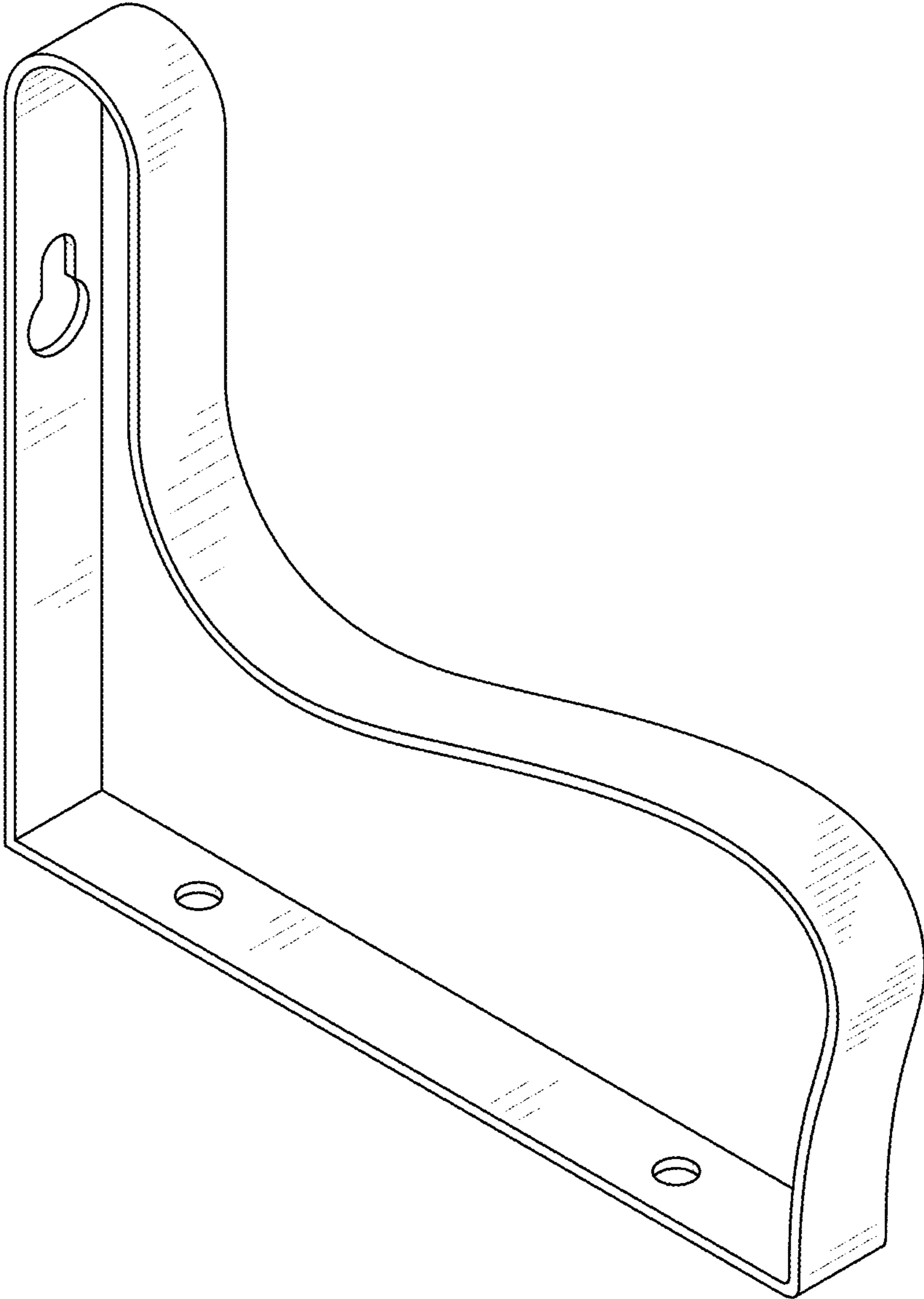


FIG.1

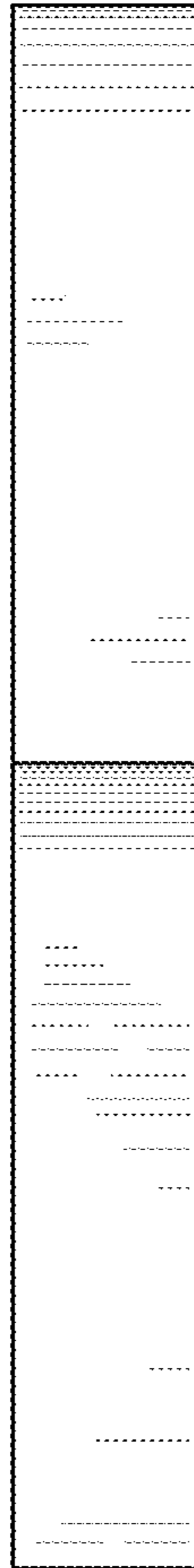


FIG.2

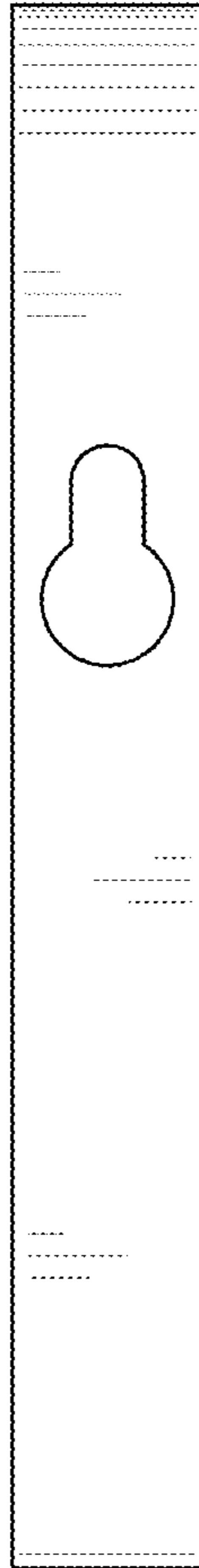


FIG.3

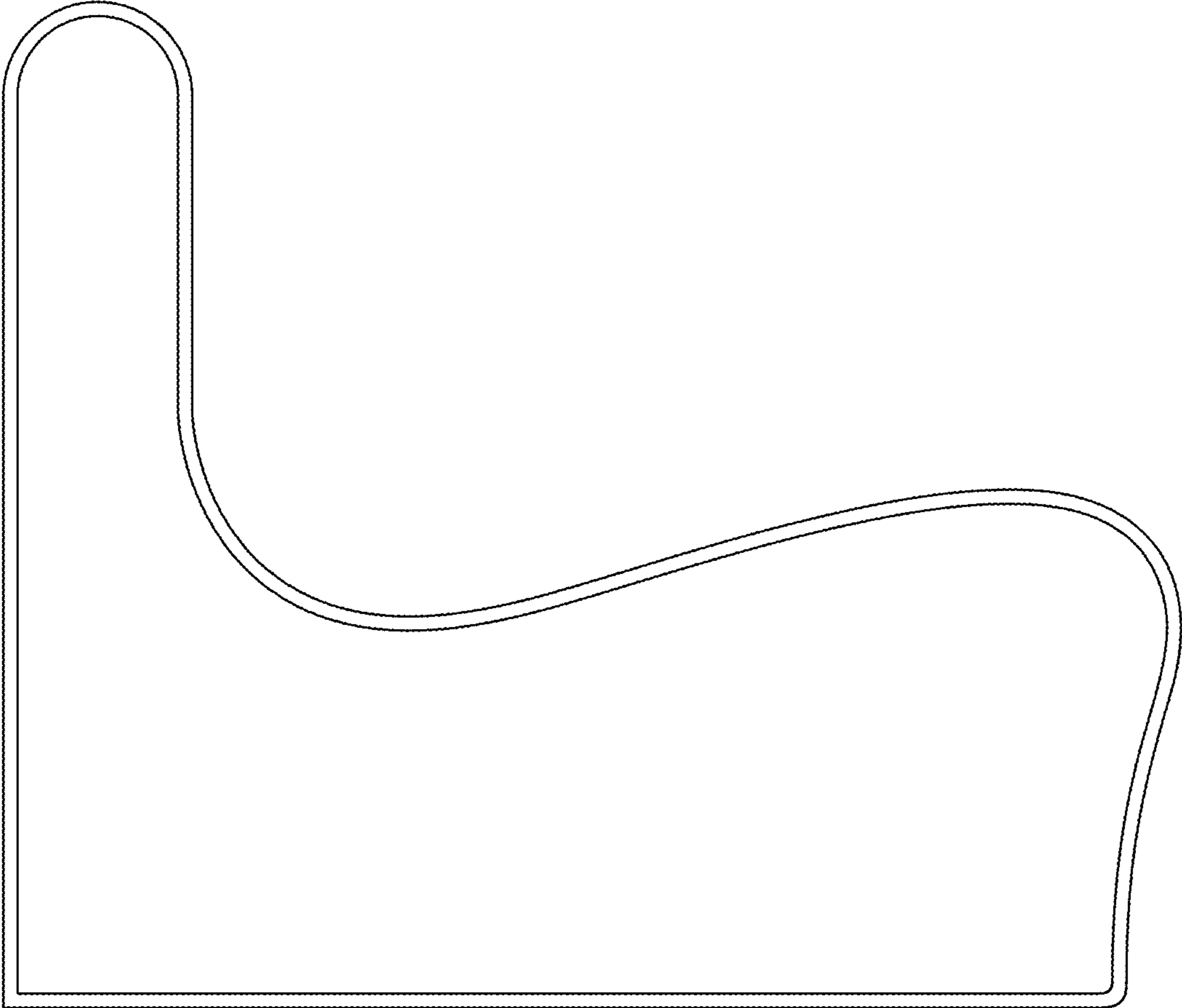


FIG.4

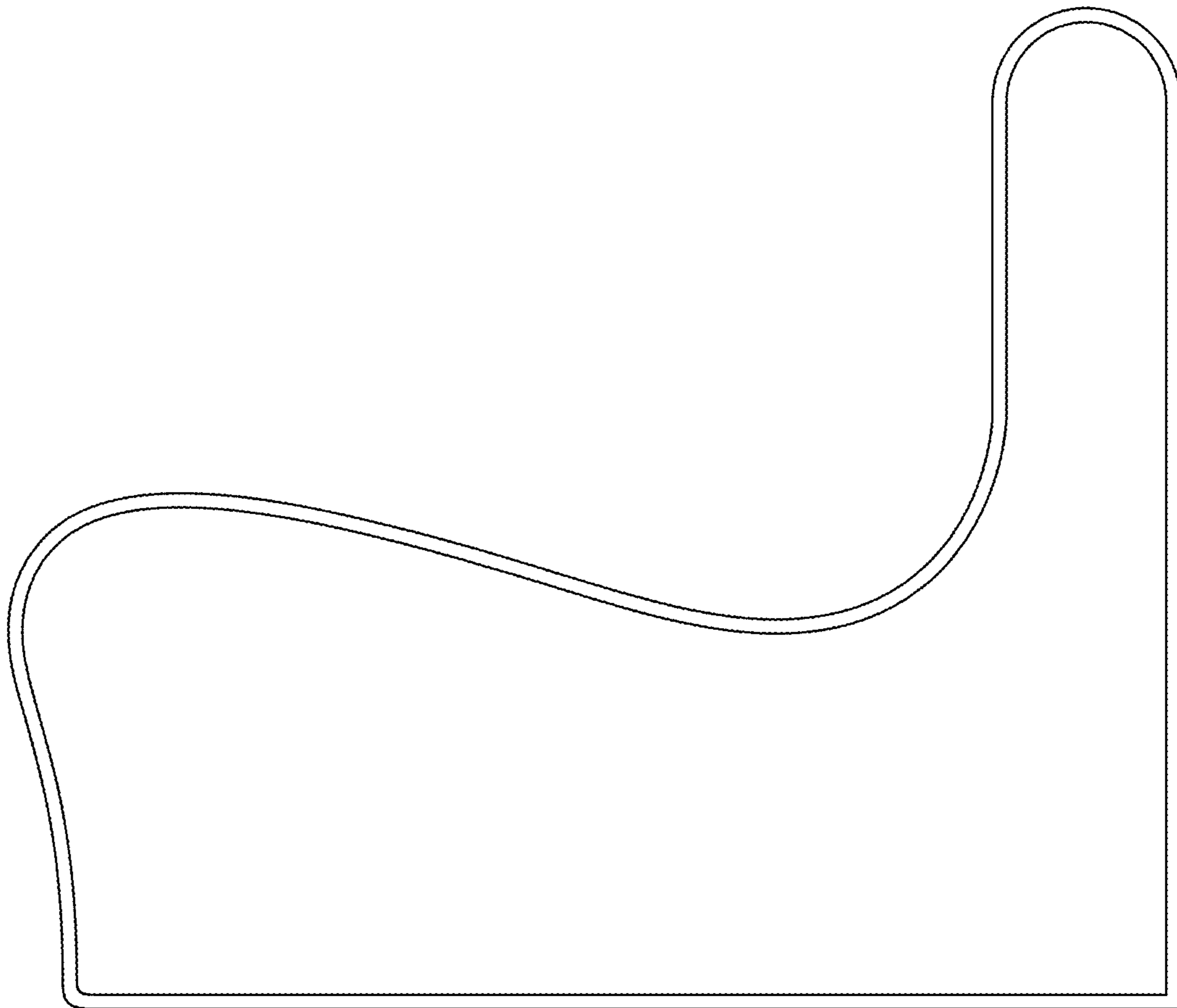


FIG.5

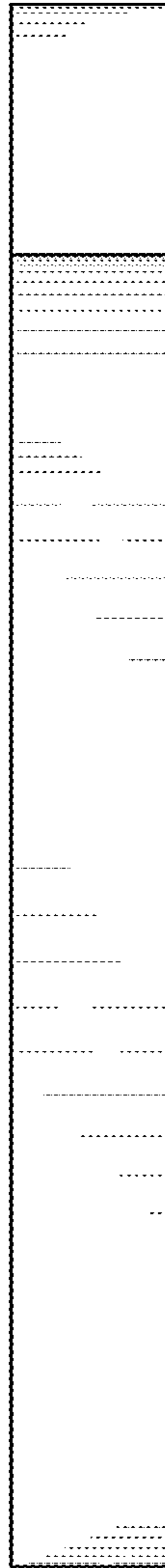


FIG.6

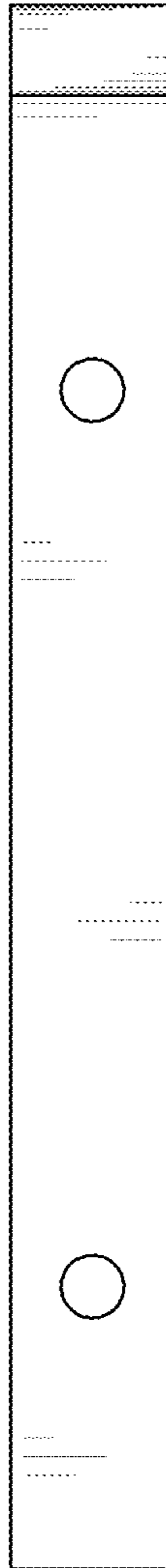


FIG.7

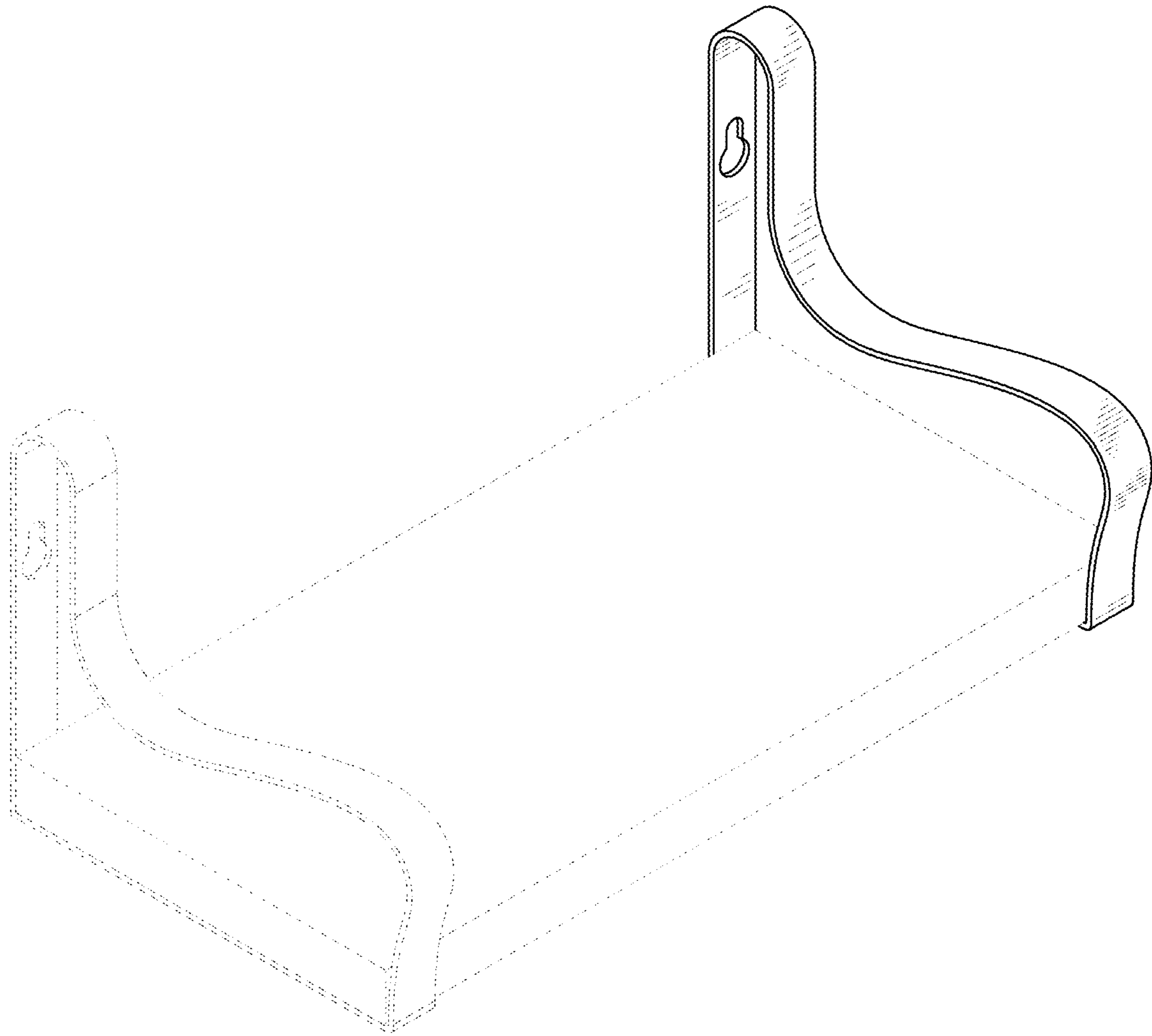


FIG.8