

US00D987415S

(12) **United States Design Patent**
Tatum

(10) **Patent No.:** **US D987,415 S**

(45) **Date of Patent:** **** May 30, 2023**

(54) **TILE SPACER**

(71) Applicant: **Scott Tatum**, Gatesville, TX (US)

(72) Inventor: **Scott Tatum**, Gatesville, TX (US)

(**) Term: **15 Years**

(21) Appl. No.: **29/809,608**

(22) Filed: **Sep. 29, 2021**

(51) **LOC (14) Cl.** **08-05**

(52) **U.S. Cl.**

USPC **D8/354**

(58) **Field of Classification Search**

USPC D8/354–355, 374

CPC E04F 21/0092; E04F 15/02022; E04F
2015/02127; E04F 21/1838; E04F
21/1877; E04F 21/20; E04F 21/22; E04F
13/0892

See application file for complete search history.

(56) **References Cited**

U.S. PATENT DOCUMENTS

- 2,930,135 A * 3/1960 Rodtz, Sr. E04F 21/0092
52/603
- 3,411,257 A * 11/1968 Yaremchuk E04B 2/04
52/561
- 4,397,125 A 8/1983 Gussler, Jr.
- 4,793,068 A 12/1988 Golkar
- 4,862,668 A * 9/1989 DeGooyer E04F 15/082
52/390
- 4,953,341 A * 9/1990 Joos E04F 21/0092
52/749.11
- 5,201,130 A * 4/1993 Krchnak E04F 21/0092
33/645
- 5,359,783 A 11/1994 Smith
- D466,380 S 12/2002 Dickson
- 6,769,191 B1 * 8/2004 Zusman E04F 21/0092
33/526
- 6,796,049 B1 * 9/2004 Claxton E04F 21/0092
33/527

- 6,823,640 B1 * 11/2004 Pytlewski E04F 13/08
52/396.1
 - 7,475,488 B2 * 1/2009 Symington E04F 21/1838
33/645
 - 7,698,831 B2 * 4/2010 Higgs E04F 21/0092
33/526
 - 7,818,923 B2 * 10/2010 Alvarez E04F 21/0092
52/749.11
 - 7,946,093 B1 5/2011 Sturino
 - 8,205,348 B2 * 6/2012 Baros E04F 21/0092
33/526
 - D678,039 S * 3/2013 Psaila D8/354
- (Continued)

FOREIGN PATENT DOCUMENTS

GB 2460429 5/2008

OTHER PUBLICATIONS

“Tavy T-spacers”, Jun. 1, 2012, Amazon.com, site visited Feb. 17, 2023: <https://www.amazon.com/Tavy-T-spacers-1-8/dp/B00883XMTW> (Year: 2012).*

(Continued)

Primary Examiner — Jack Reickel
Assistant Examiner — Michael A Kervin

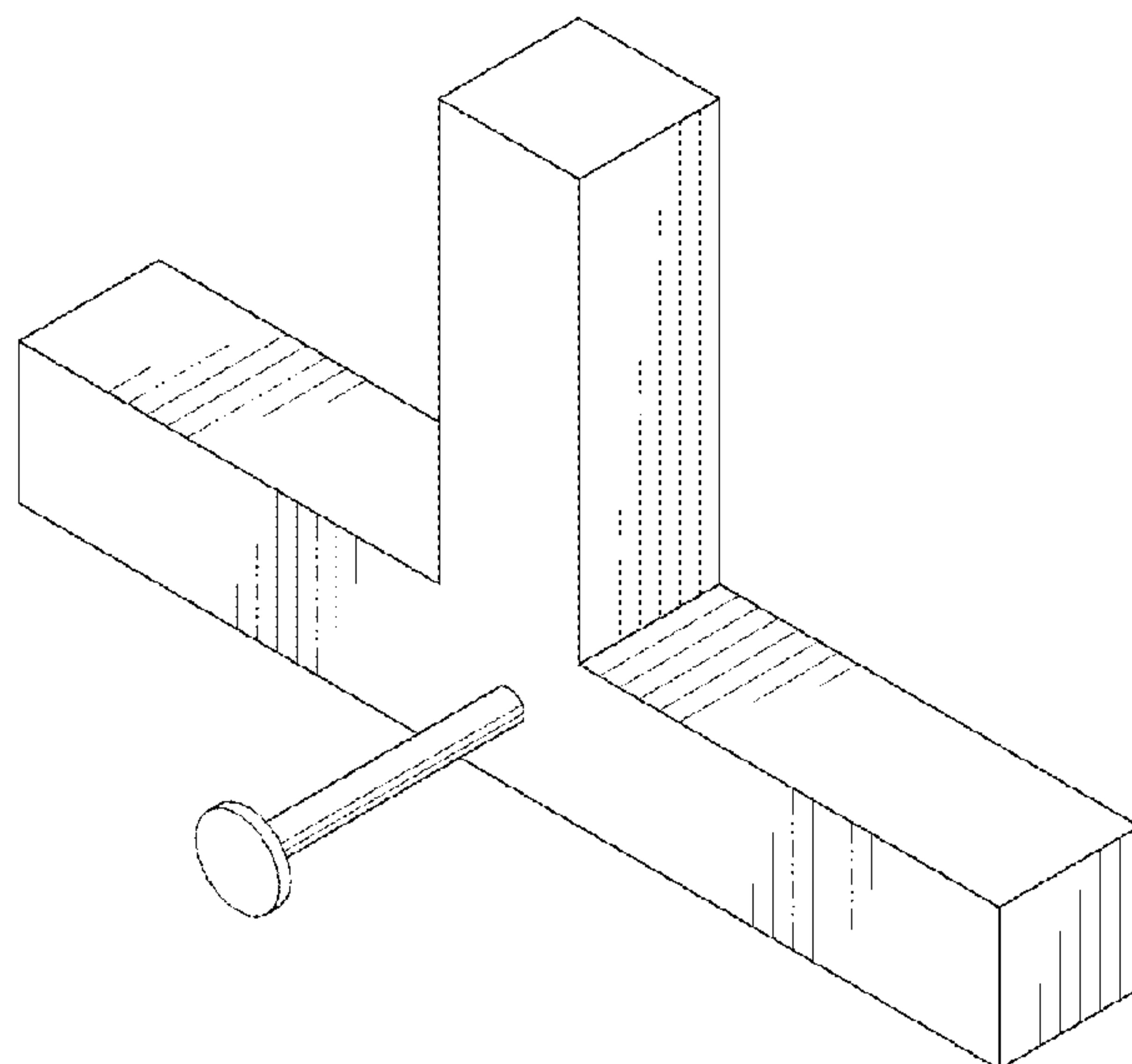
(57) **CLAIM**

The ornamental design for a tile spacer, as shown and described.

DESCRIPTION

FIG. 1 is a top front side perspective view of a tile spacer showing my new design;
FIG. 2 is a front view of the tile spacer;
FIG. 3 is a rear view of the tile spacer;
FIG. 4 is a top view of the tile spacer;
FIG. 5 is a bottom view of the tile spacer;
FIG. 6 is a left side view of the tile spacer; and,
FIG. 7 is a right side view of the tile spacer.

1 Claim, 2 Drawing Sheets



(56)

References Cited

U.S. PATENT DOCUMENTS

8,720,143	B2	5/2014	Noutsis	
9,371,656	B2 *	6/2016	Zimmer	E04F 21/0092
9,909,322	B1	3/2018	Sadleir	
D842,077	S *	3/2019	Bunch	D8/354
10,787,824	B2 *	9/2020	Bunch	E04F 21/0092
2002/0069546	A1 *	6/2002	Claxton	E04F 21/0092 33/527
2006/0144011	A1 *	7/2006	Symington	E04F 21/1838 52/782.1
2007/0011898	A1 *	1/2007	Frank	E04F 21/0092 33/526
2009/0235548	A1 *	9/2009	Higgs	E04F 21/0092 33/526
2010/0088912	A1 *	4/2010	Higgs	E04F 21/0092 33/527
2011/0113722	A1 *	5/2011	Dvorak	E04F 21/0092 52/747.11

2018/0202173	A1 *	7/2018	Bunch	E04F 21/0092
2018/0371763	A1 *	12/2018	Stuchell	E04F 15/087
2020/0087925	A1 *	3/2020	Vandenberg	F16B 5/0621
2021/0277668	A1 *	9/2021	Vandenberg	E04F 15/02022

OTHER PUBLICATIONS

“Uxcell Wall Floor Tile Plastic T Type Spacers”, Jan. 23, 2019, Amazon.com, site visited Feb. 17, 2023: <https://www.amazon.com/Sourcingmap%C2%AE-Plastic-Spacers-Tiling-1000pcs/dp/B01N2GB5CN> (Year: 2019).*

“Tile T-Pieces of Plastics”, Apr. 30, 2019, Amazon.com, site visited Feb. 17, 2023: <https://www.amazon.com/Connex-COX792014-T-Shaped-Spacers-Plastic/dp/B001B4TIJS> (Year: 2019).*

“Cable Clips—CableGeeker 100 Pieces Ethernet Cable Clips with Nails”, Aug. 12, 2019, Amazon.com, site visited Feb. 17, 2023: <https://www.amazon.com/Cable-Clips-CableGeeker-Pieces-Ethernet/dp/B07Q4P7W54> (Year: 2019).*

* cited by examiner

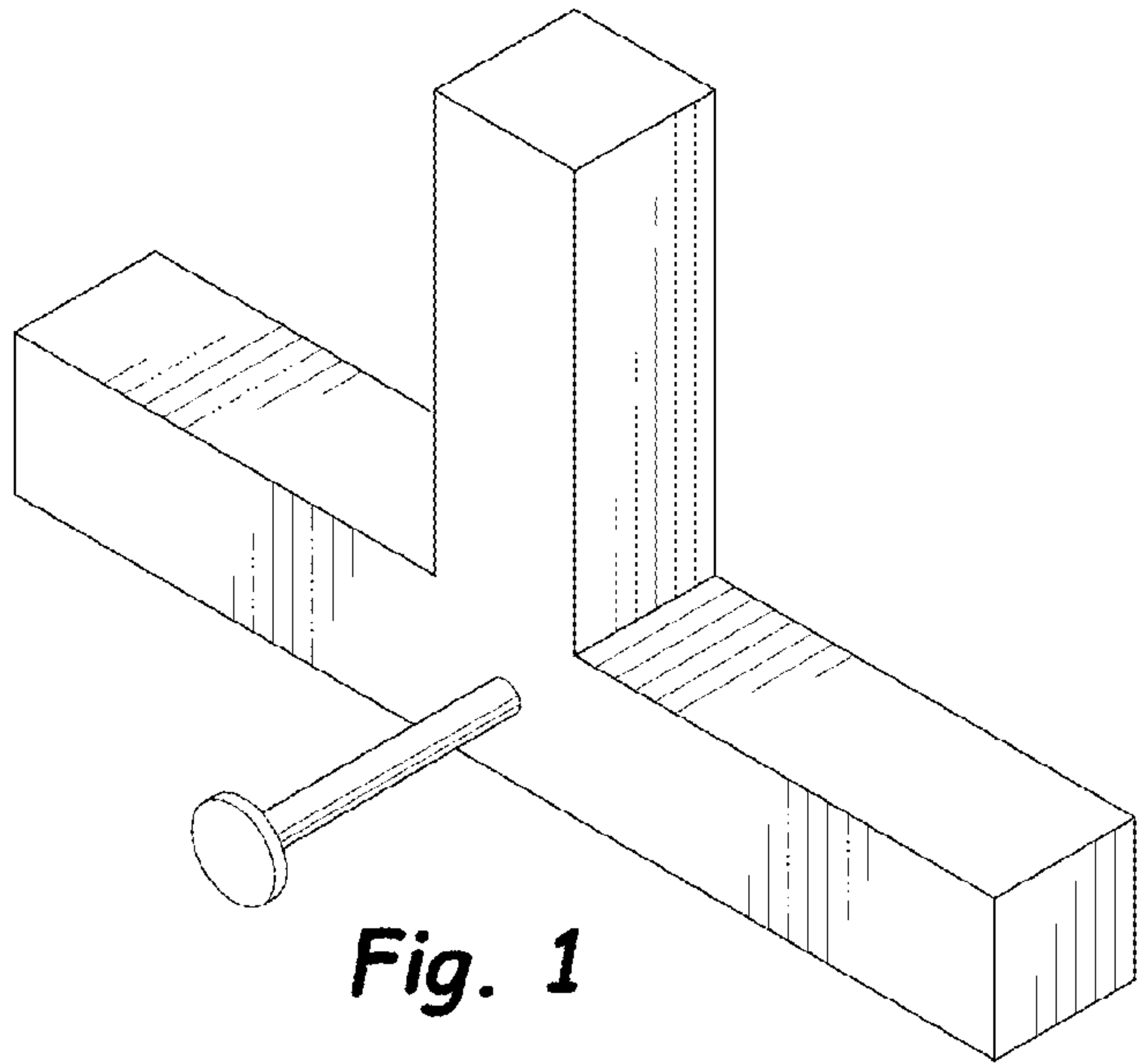


Fig. 1

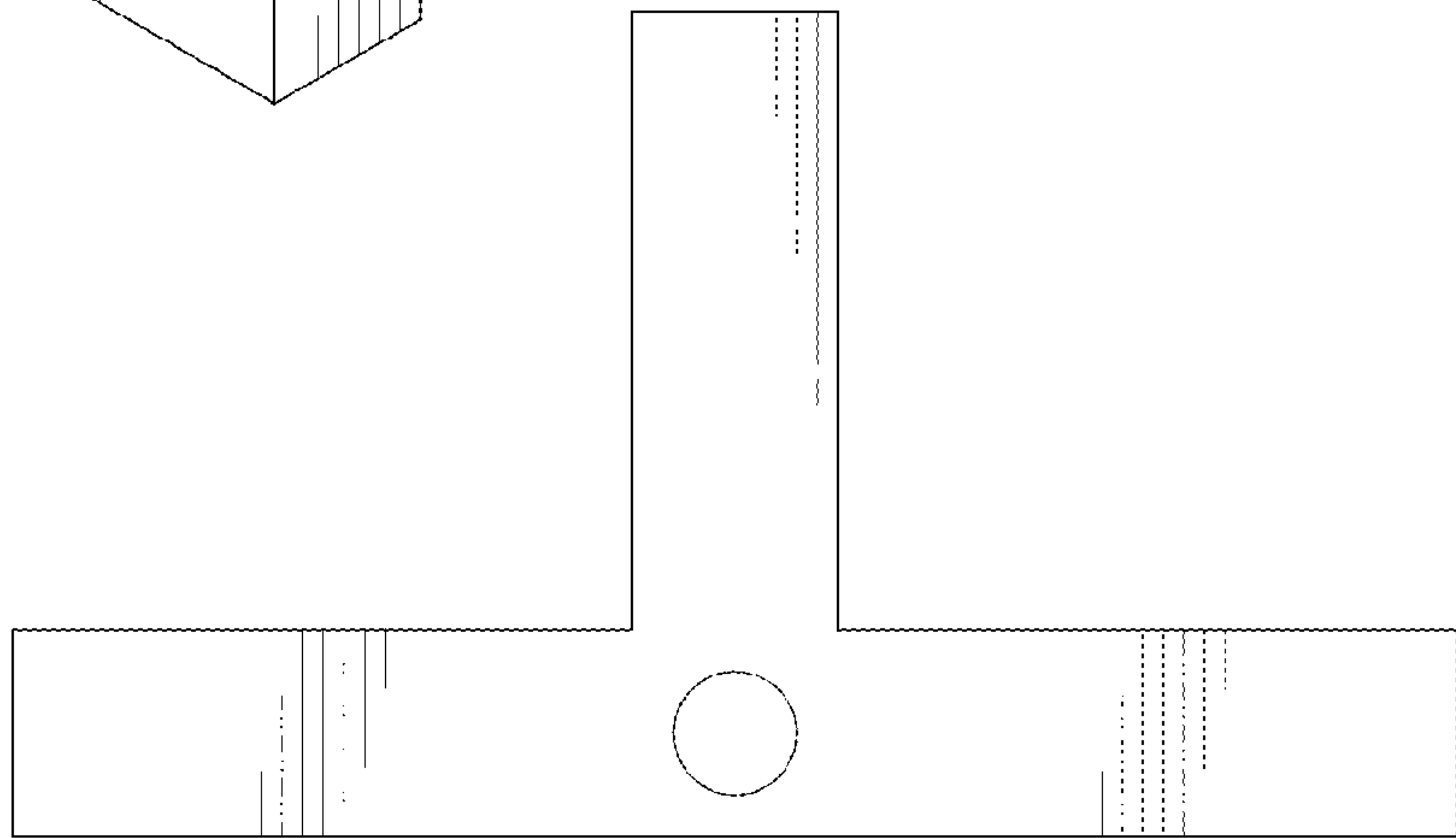


Fig. 2

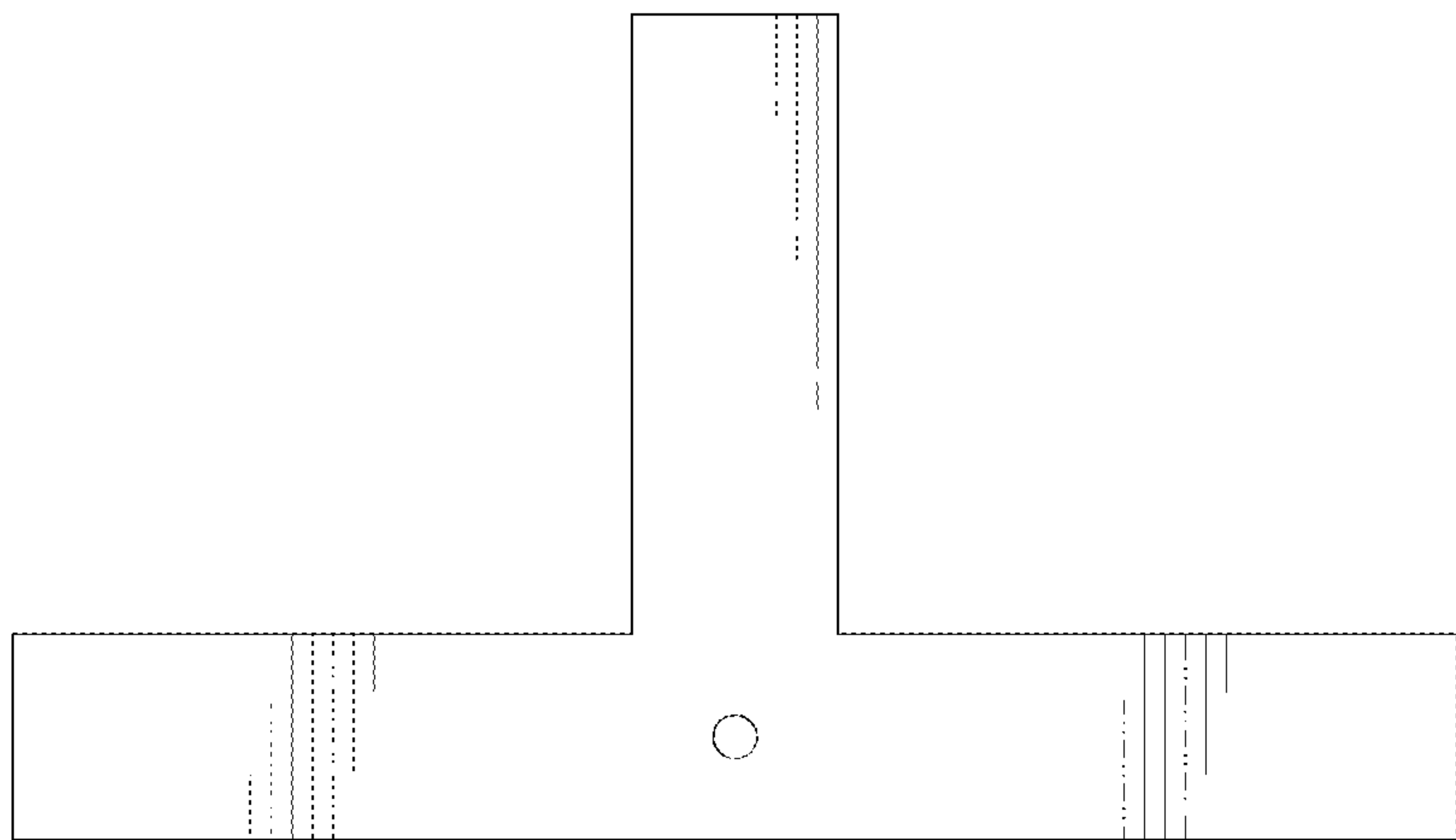


Fig. 3

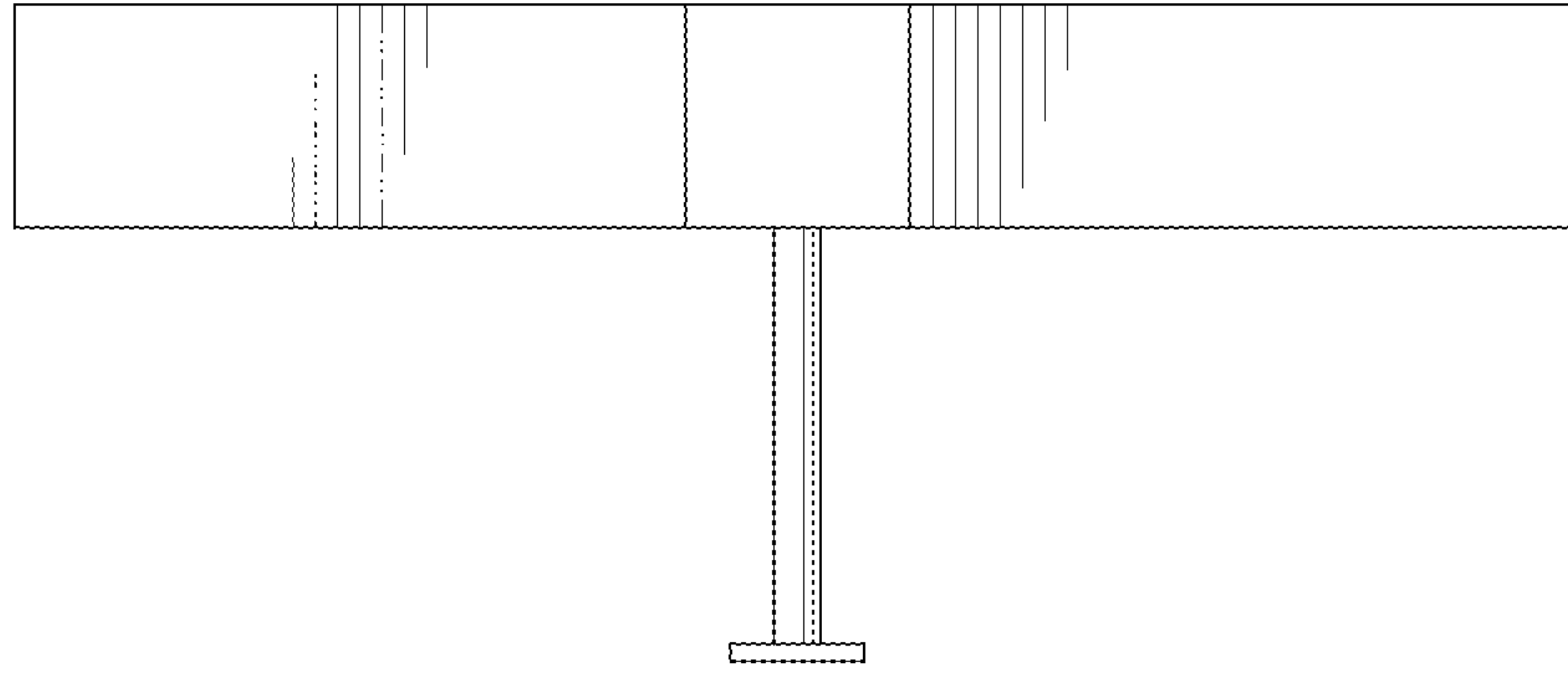


Fig. 4

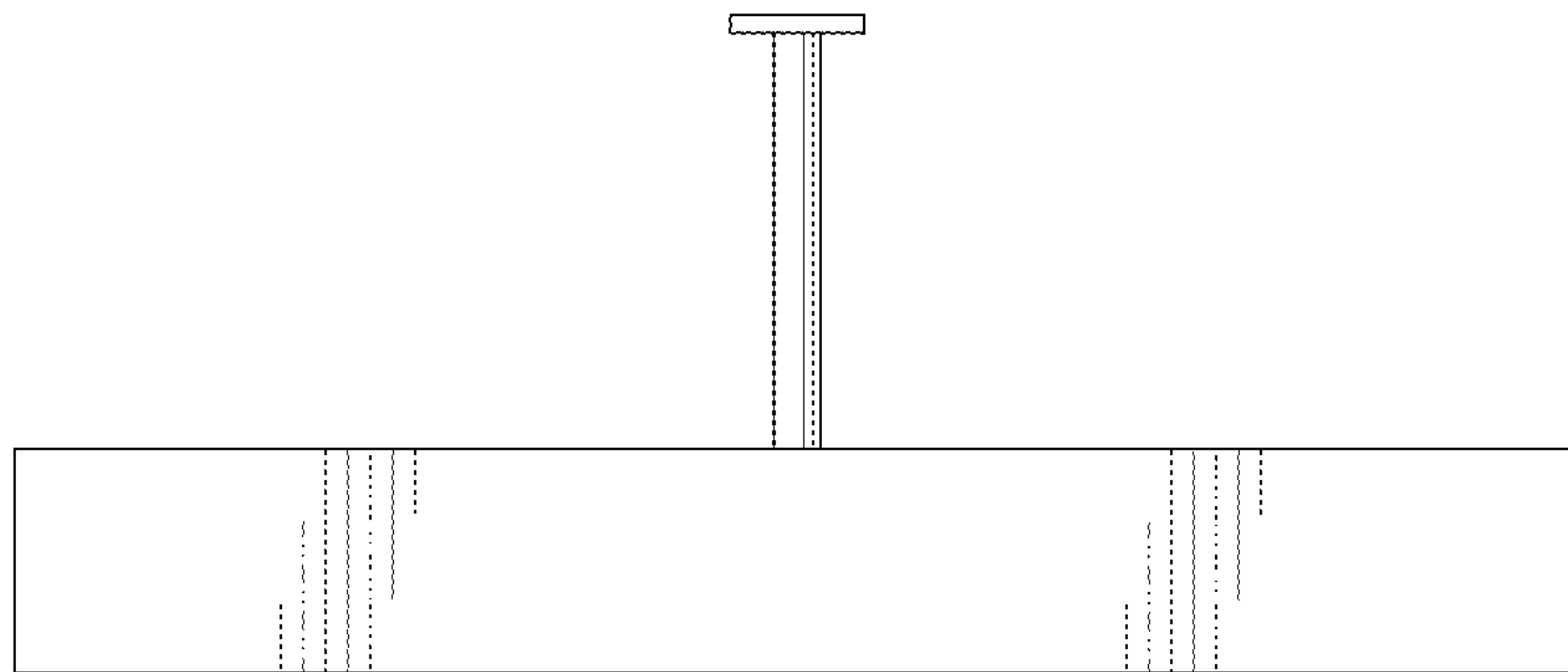


Fig. 5

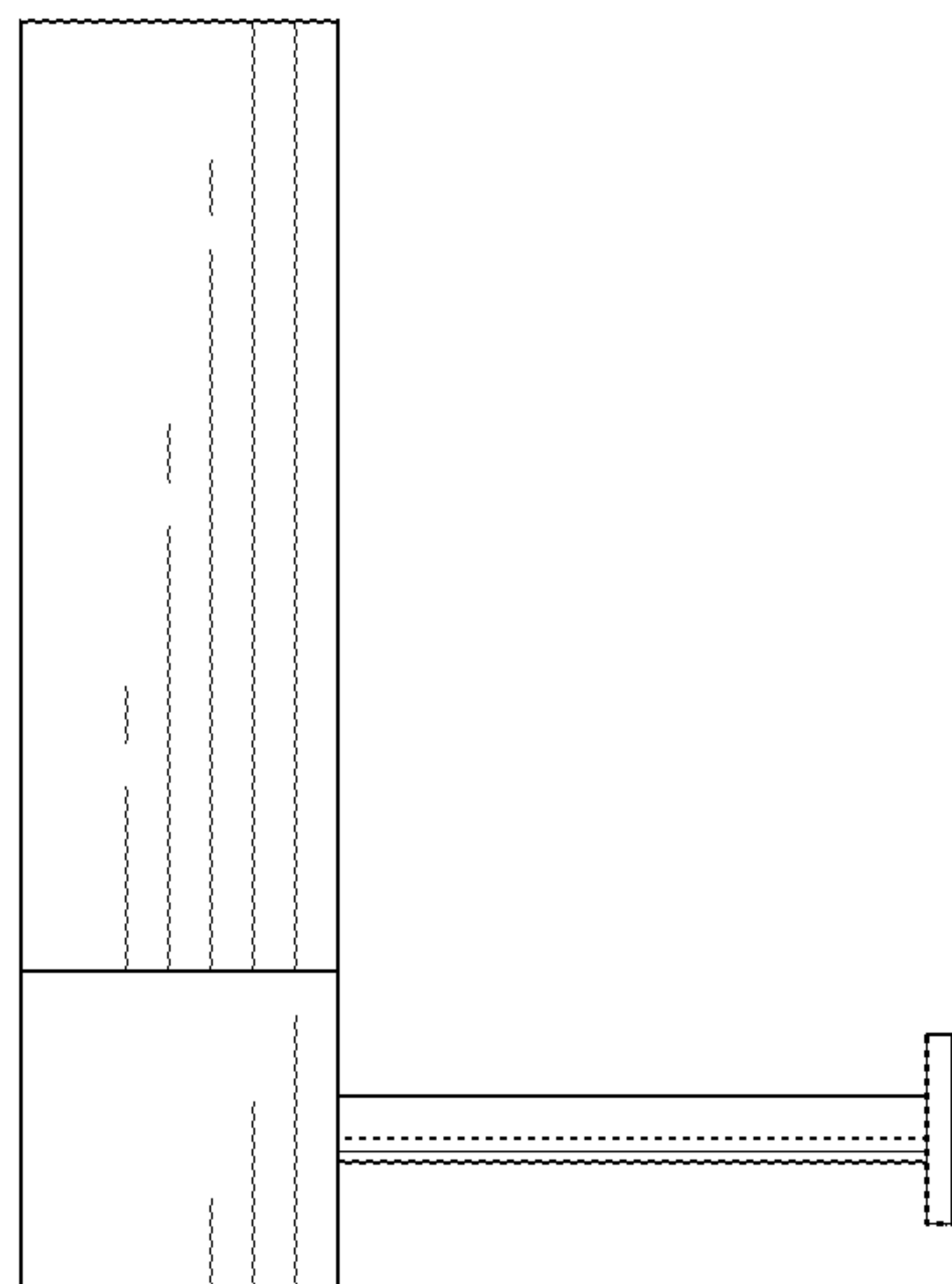


Fig. 6

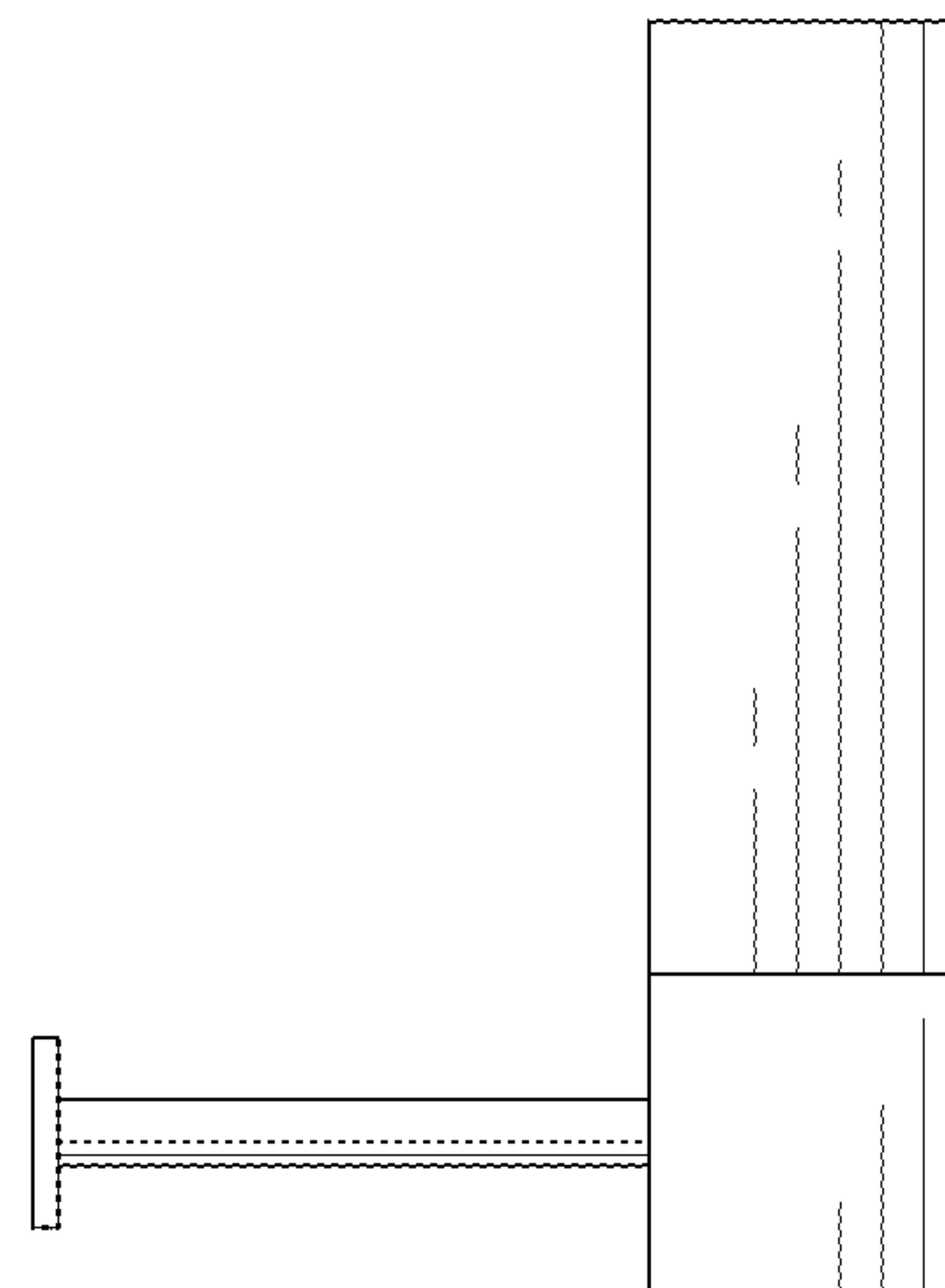


Fig. 7