



US00D987412S

(12) **United States Design Patent** (10) **Patent No.:** **US D987,412 S**
Meine (45) **Date of Patent:** **** May 30, 2023**

(54) **PANEL MOUNT ASSEMBLY**
(71) Applicant: **Unirac Inc.**, Albuquerque, NM (US)
(72) Inventor: **Shawn Meine**, Phoenix, AZ (US)
(73) Assignee: **Unirac Inc.**, Albuquerque, NM (US)
(**) Term: **15 Years**
(21) Appl. No.: **29/781,082**
(22) Filed: **Apr. 28, 2021**
(51) **LOC (14) Cl.** **08-08**
(52) **U.S. Cl.**
USPC **D8/349**
(58) **Field of Classification Search**
USPC D8/354, 349, 355, 363, 371, 373;
D13/102
CPC . A45F 2200/0433; A45C 13/30; A45C 11/38;
B60P 7/0823; F24S 25/61; F24S 25/632;
F24S 25/636; H02S 20/23; Y02E 10/50;
Y02E 10/47; F16B 5/02; F16M 13/022;
Y02B 10/10; Y02B 10/20
See application file for complete search history.

2011/0120047 A1* 5/2011 Stearns E04D 13/1407
52/698
2012/0073220 A1 3/2012 Kobayashi et al.
2012/0234378 A1* 9/2012 West F24S 25/632
136/251
2012/0298817 A1* 11/2012 West F24S 25/61
248/220.22
2013/0133270 A1* 5/2013 West F24S 25/61
52/705
2013/0276867 A1* 10/2013 Wildes H01L 31/048
136/246
2014/0175244 A1* 6/2014 West F24S 25/65
52/555
2015/0270802 A1* 9/2015 Schaefer F24S 25/61
248/237
2016/0226435 A1* 8/2016 Almy F24S 25/636
2016/0268958 A1* 9/2016 Wildes H02S 20/23
2017/0194902 A1* 7/2017 Meine F24S 25/33
2017/0201207 A1* 7/2017 Hudson F24S 25/632

* cited by examiner

Primary Examiner — Mark A Goodwin
(74) *Attorney, Agent, or Firm* — Lee & Hayes, P.C.

(57) **CLAIM**

The ornamental design for a panel mount assembly, as shown and described.

(56) **References Cited**

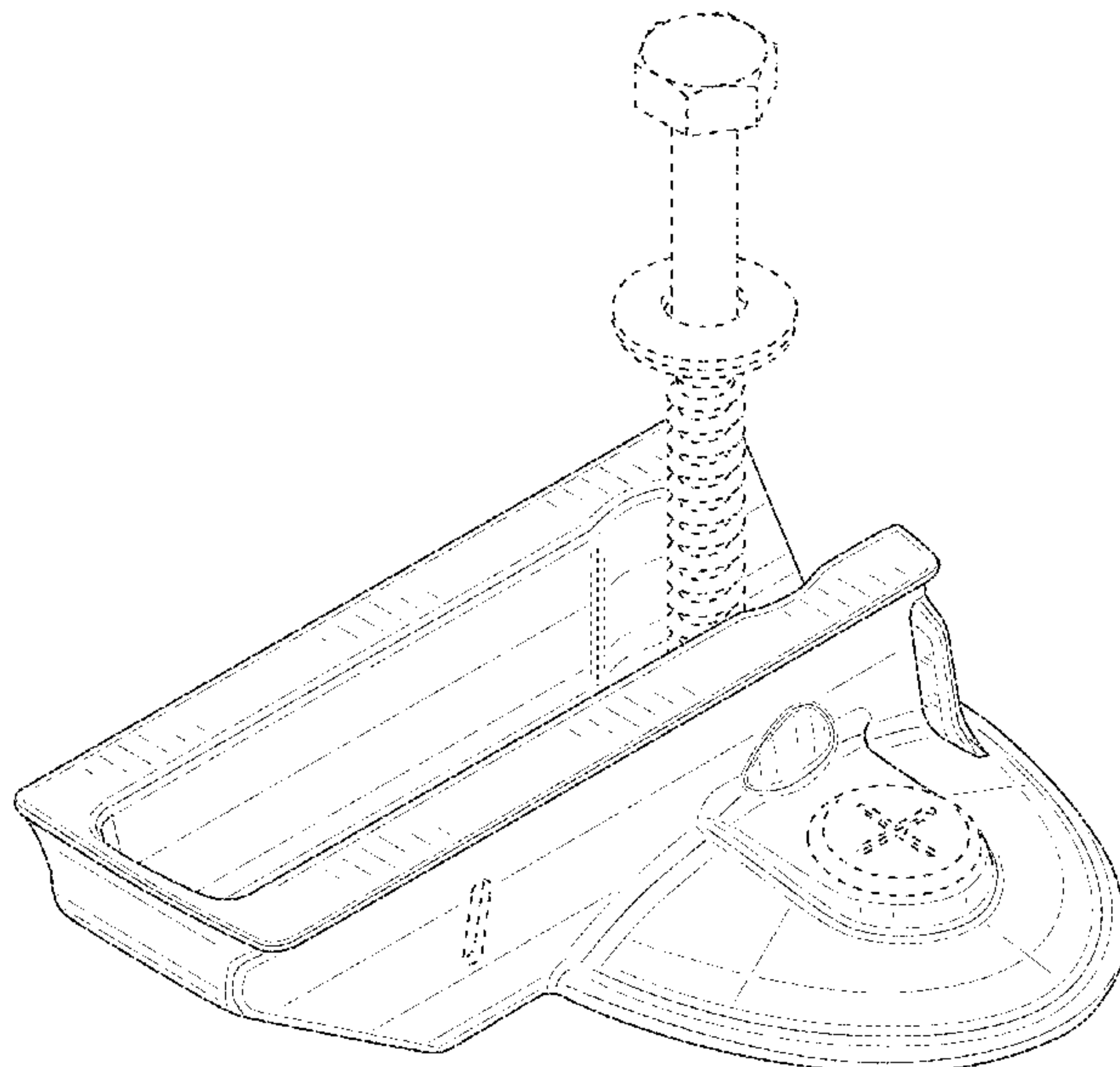
U.S. PATENT DOCUMENTS

D230,348 S * 2/1974 Sabel et al. D8/371
D482,597 S * 11/2003 Brass D8/354
D547,262 S * 7/2007 Ullman D13/102
7,866,099 B2 1/2011 Komamine et al.
8,869,471 B2* 10/2014 Wildes F24S 25/636
52/173.3
8,938,932 B1 1/2015 Wentworth et al.
D727,395 S * 4/2015 Choi D16/242
9,825,581 B2 11/2017 Wildes
D843,932 S * 3/2019 Sinai D13/102
10,432,136 B2* 10/2019 Lu F24S 25/636
D909,853 S * 2/2021 Jasmin D8/354
11,152,889 B1* 10/2021 Affentranger, Jr. H02S 20/23
11,515,831 B2* 11/2022 Affentranger, Jr. F16J 15/14

DESCRIPTION

FIG. 1 is a front, top perspective view of a panel mount assembly;
FIG. 2 is a back, bottom perspective view thereof;
FIG. 3 is a front view thereof;
FIG. 4 is a back view thereof;
FIG. 5 is a left-side view thereof;
FIG. 6 is a right-side view thereof;
FIG. 7 is a top view thereof; and,
FIG. 8 is a bottom view thereof.
The dashed lines depict portions of the panel mount assembly that form no part of the claimed design.

1 Claim, 8 Drawing Sheets



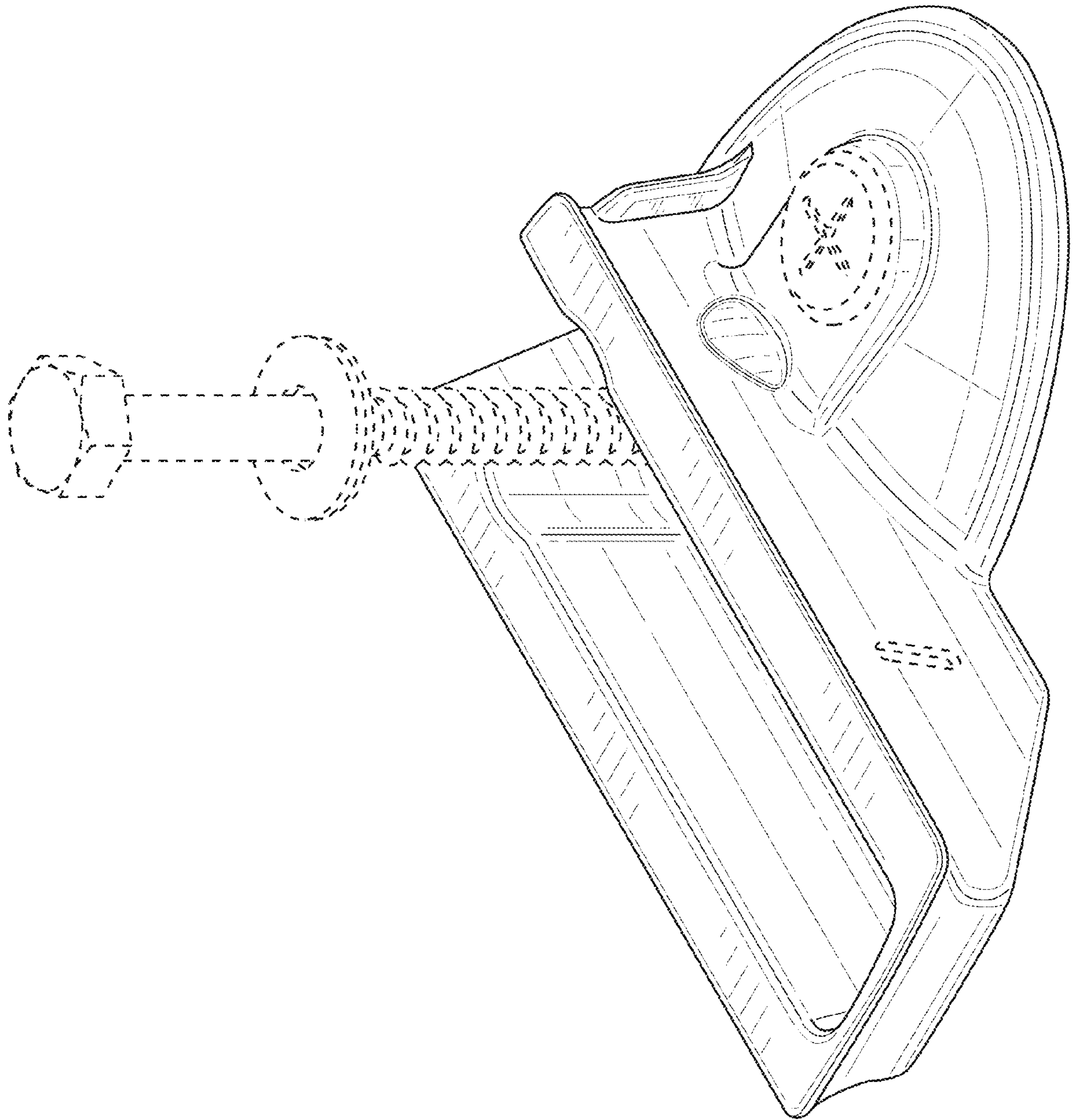


FIG. 1

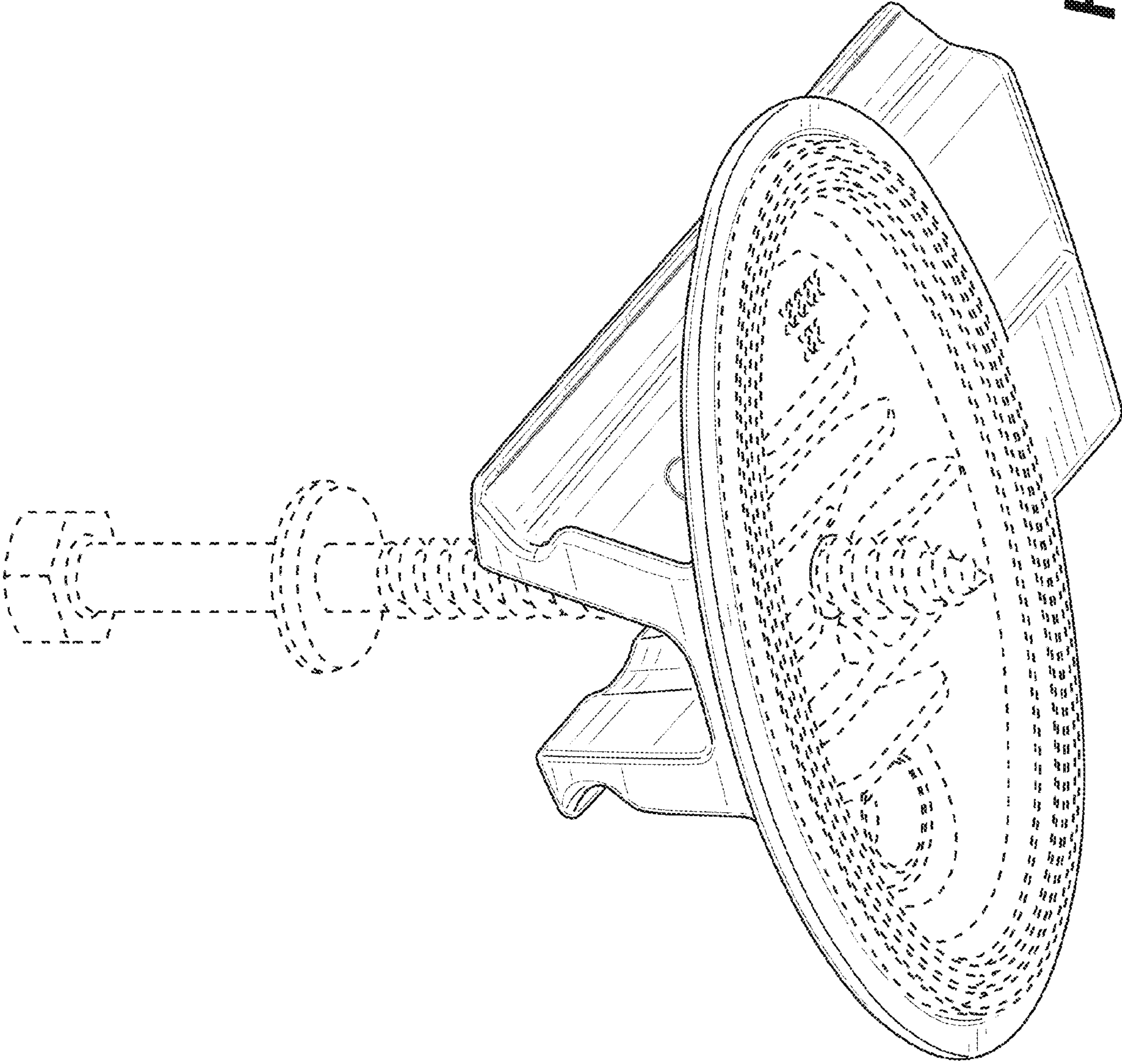


FIG. 2

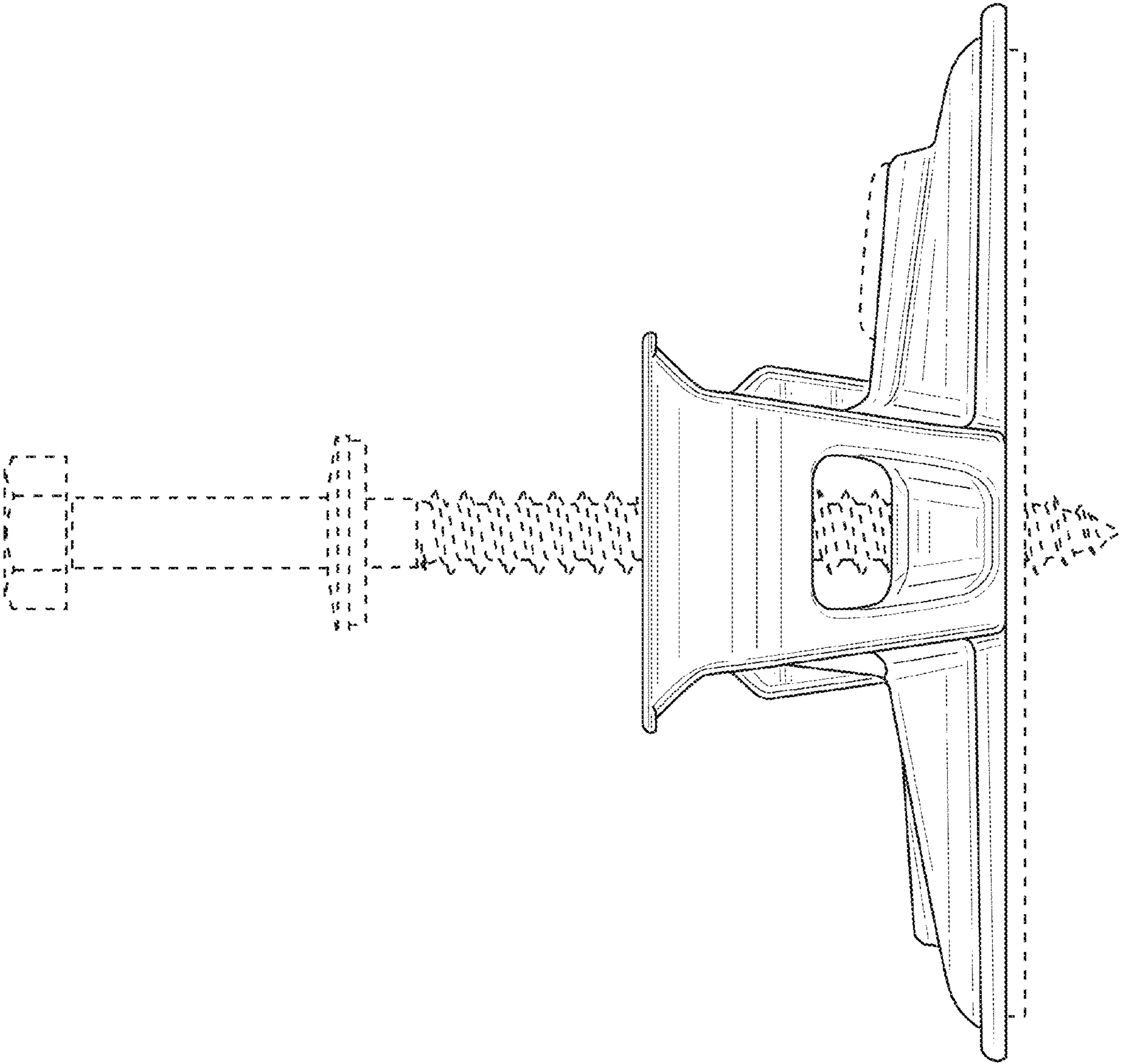


FIG. 3

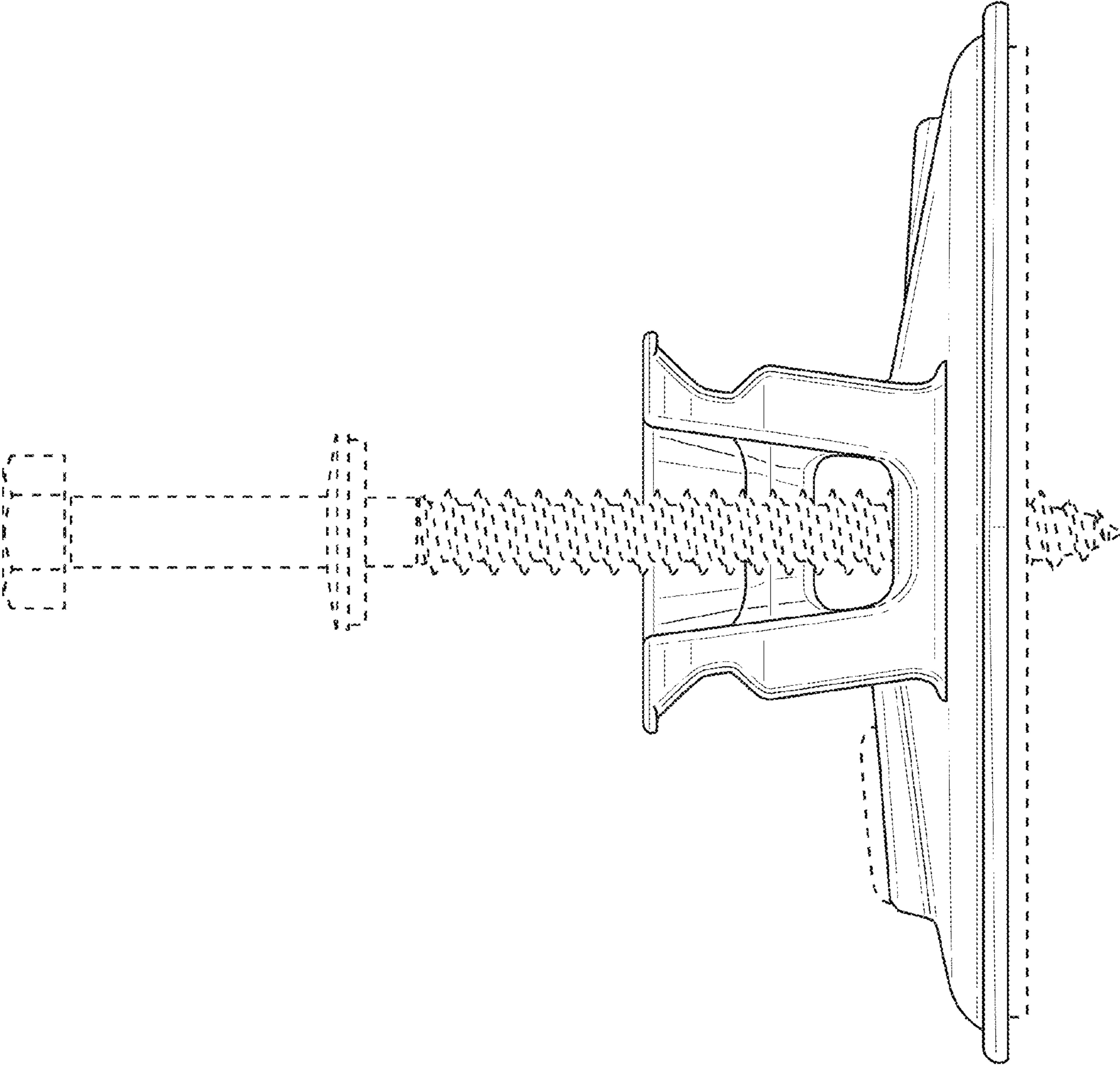


FIG. 4

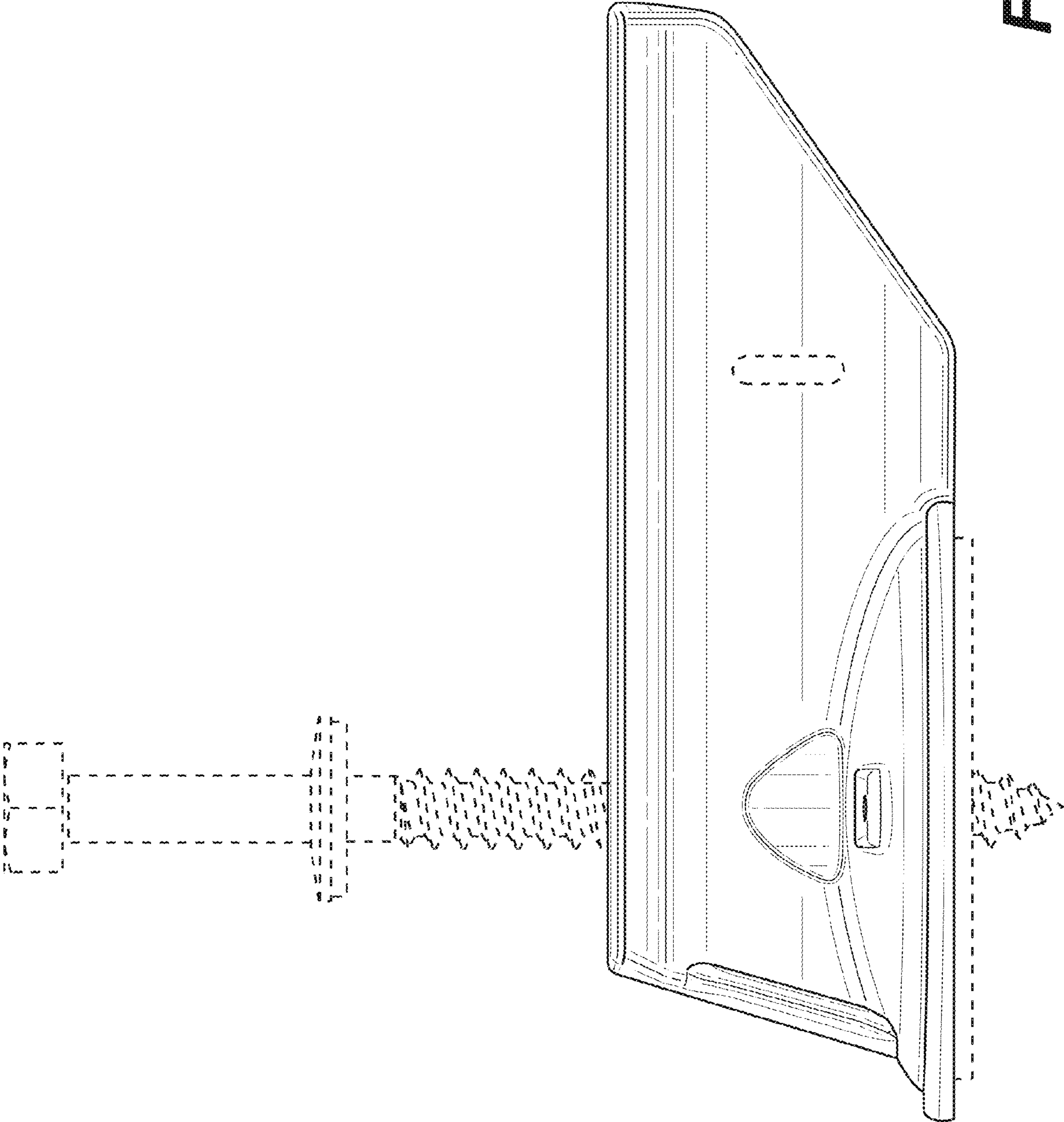


FIG. 5

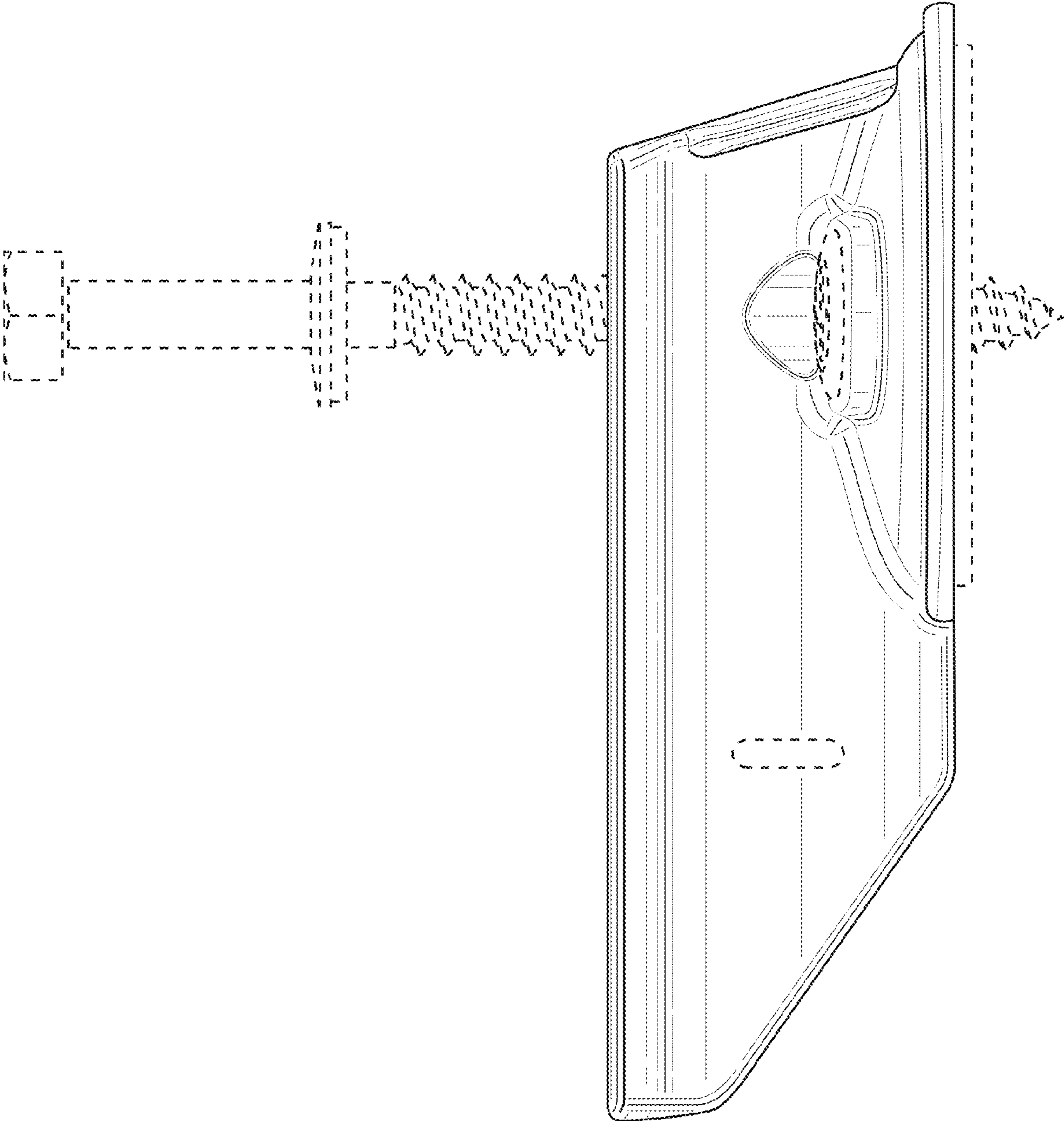


FIG. 6

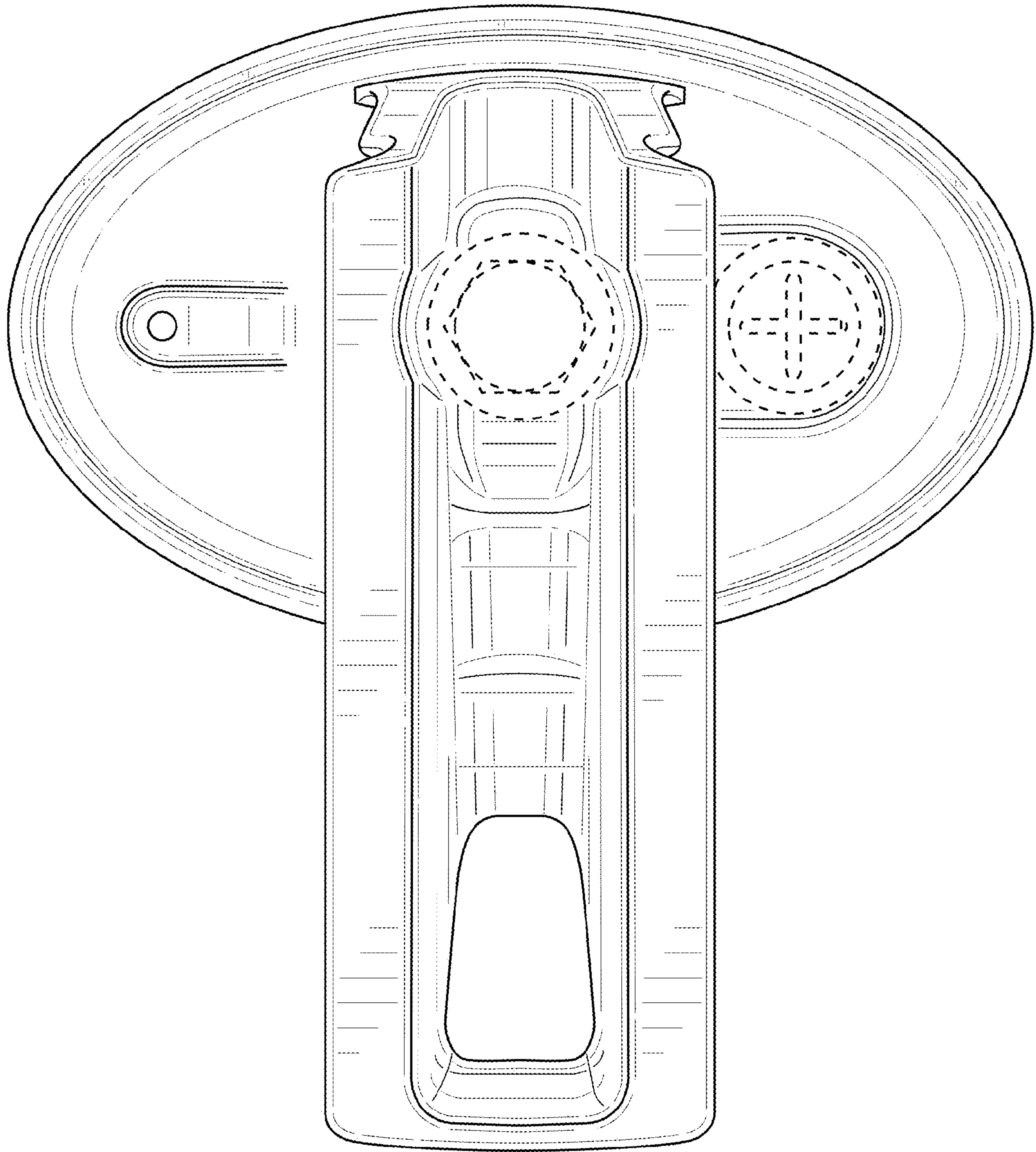


FIG. 7

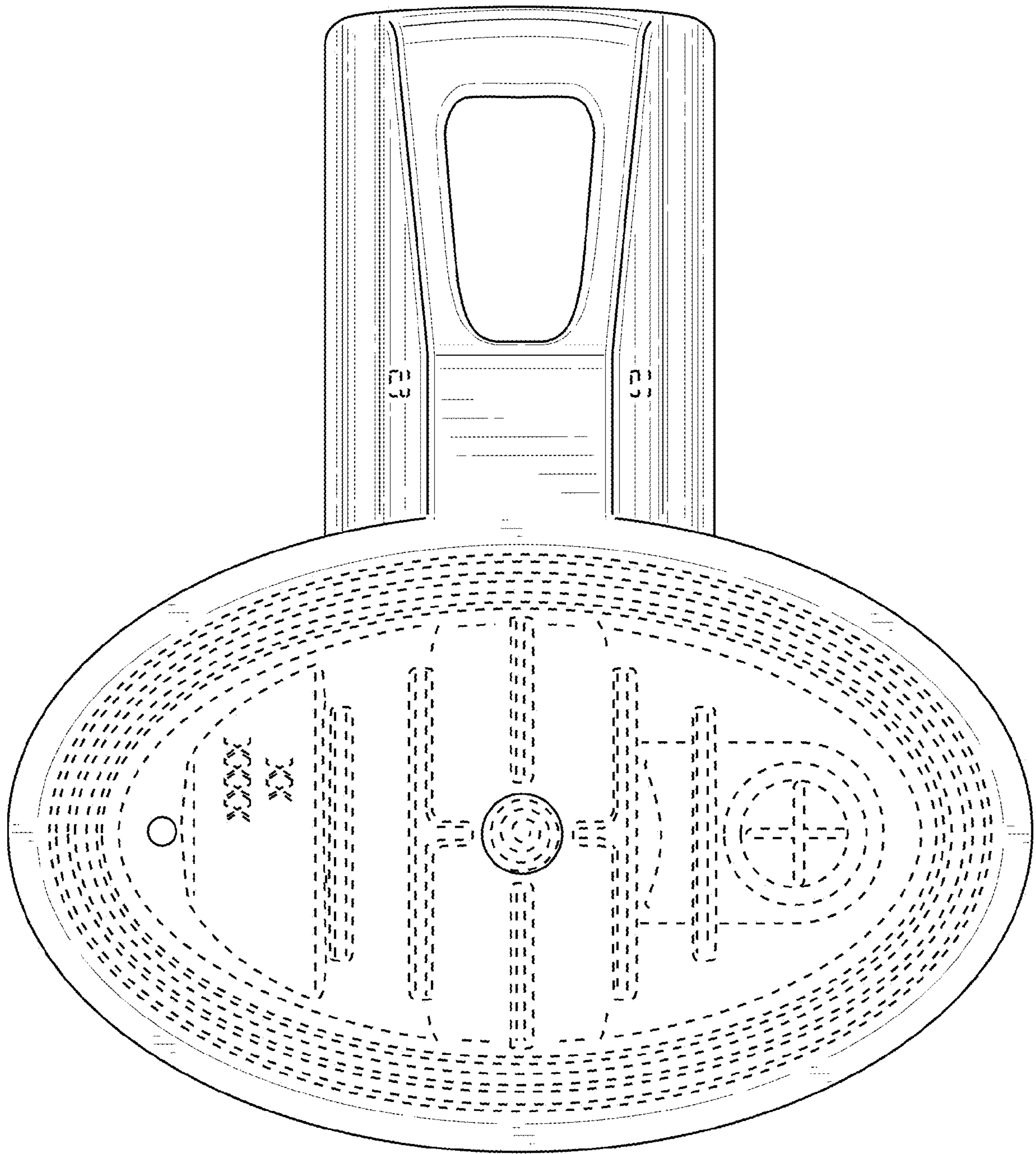


FIG. 8