



US00D987410S

(12) **United States Design Patent**
Liu

(10) **Patent No.:** **US D987,410 S**

(45) **Date of Patent:** **** May 30, 2023**

(54) **HOOD LATCH**

(71) Applicant: **Xtreme Inc.**, Chino, CA (US)

(72) Inventor: **Luffy Zongxian Liu**, Chino, CA (US)

(73) Assignee: **Xtreme Inc.**, Chino, CA (US)

(**) Term: **15 Years**

(21) Appl. No.: **29/757,669**

(22) Filed: **Nov. 9, 2020**

(51) **LOC (14) Cl.** **08-07**

(52) **U.S. Cl.**
USPC **D8/331; D8/330**

(58) **Field of Classification Search**
USPC .. D8/330, 331, 336, 343, 347; D21/173, 190,
D21/400
CPC E05B 83/243; E05C 19/10; E05C 19/12;
E05C 19/14; Y10T 292/089; Y10T 292/1041
See application file for complete search history.

(56) **References Cited**

U.S. PATENT DOCUMENTS

D303,621	S *	9/1989	Russell et al.	D8/308
D333,775	S *	3/1993	Krape	D8/342
D367,218	S *	2/1996	Ford et al.	D8/331
D371,953	S *	7/1996	Ford et al.	D8/331
D377,446	S *	1/1997	Ford et al.	D8/331
6,012,747	A *	1/2000	Takamura et al.	E05B 77/38 292/216
D427,881	S *	7/2000	Weinerman et al.	D8/331
6,179,350	B1*	1/2001	Ely et al.	E05C 19/14 292/285
D435,780	S *	1/2001	Tieu	D8/336
6,257,631	B1*	7/2001	Sokurenko et al.	E05C 19/14 292/DIG. 49
D447,042	S *	8/2001	Weinerman et al.	D8/343
6,345,846	B1*	2/2002	DeRees et al.	E05B 83/243 292/241
D464,555	S *	10/2002	Weinerman et al.	D8/343
D472,449	S *	4/2003	Weinerman et al.	D8/330
D524,631	S	7/2006	Boote	
D557,109	S	12/2007	Navin	

D557,587	S	12/2007	Navin	
8,408,608	B2*	4/2013	Wilkins et al.	B62D 25/12 292/241
D692,290	S *	10/2013	Stanesic et al.	D8/331
9,765,555	B2*	9/2017	Evans et al.	E05B 83/243
D835,552	S	12/2018	Goodrich et al.	
D844,523	S	4/2019	Goodrich et al.	
D889,932	S *	7/2020	Zeng	D8/331
D900,588	S *	11/2020	Rolfs et al.	D8/331

OTHER PUBLICATIONS

Xprite Aluminum Hood Latches, by Xsprite on Amazon.com. Dated Oct. 18, 2019. Found online [Aug. 31, 2022]. <https://www.amazon.com/Xprite-Aluminum-2007-2018-Wrangler-2018-2020/dp/B07Z92B1VV>.*

DEF Hood Latches, by DEF on Amazon.com. Dated Aug. 21, 2018. Found online [Sep. 31, 2022]. <https://www.amazon.com/dp/B07GQBLBC3>.*

SAMDO Aluminum Latch, by SAMDO on Amazon.com. Dated Dec. 24, 2019. Found online [Sep. 31, 2022]. <https://www.amazon.com/dp/B083343C3F>.*

* cited by examiner

Primary Examiner — Eliza Z Harvey

Assistant Examiner — Kayla Marie Bennett

(57) **CLAIM**

I claim the ornamental design for a Hood Latch as shown and described.

DESCRIPTION

FIG. 1 is a Perspective view of a hood latch showing my new design;

FIG. 2 is a Front view thereof;

FIG. 3 is a Back view thereof;

FIG. 4 is a Left-side view thereof;

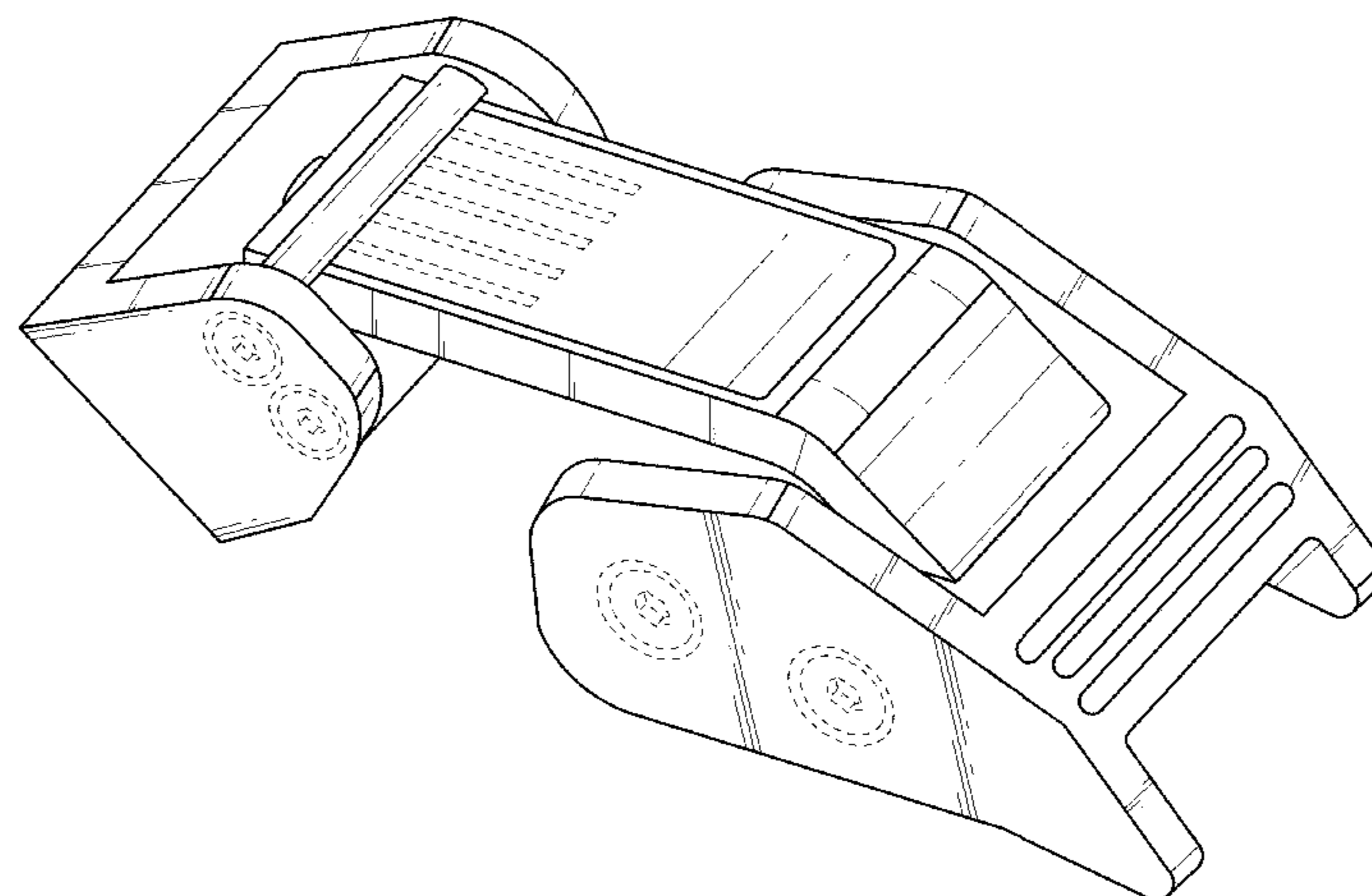
FIG. 5 is a Right-side view thereof;

FIG. 6 is a Top view thereof; and

FIG. 7 is a Bottom view thereof.

The broken lines in the drawings depict portions of the Hood Latch that form no part of the claimed design.

1 Claim, 4 Drawing Sheets



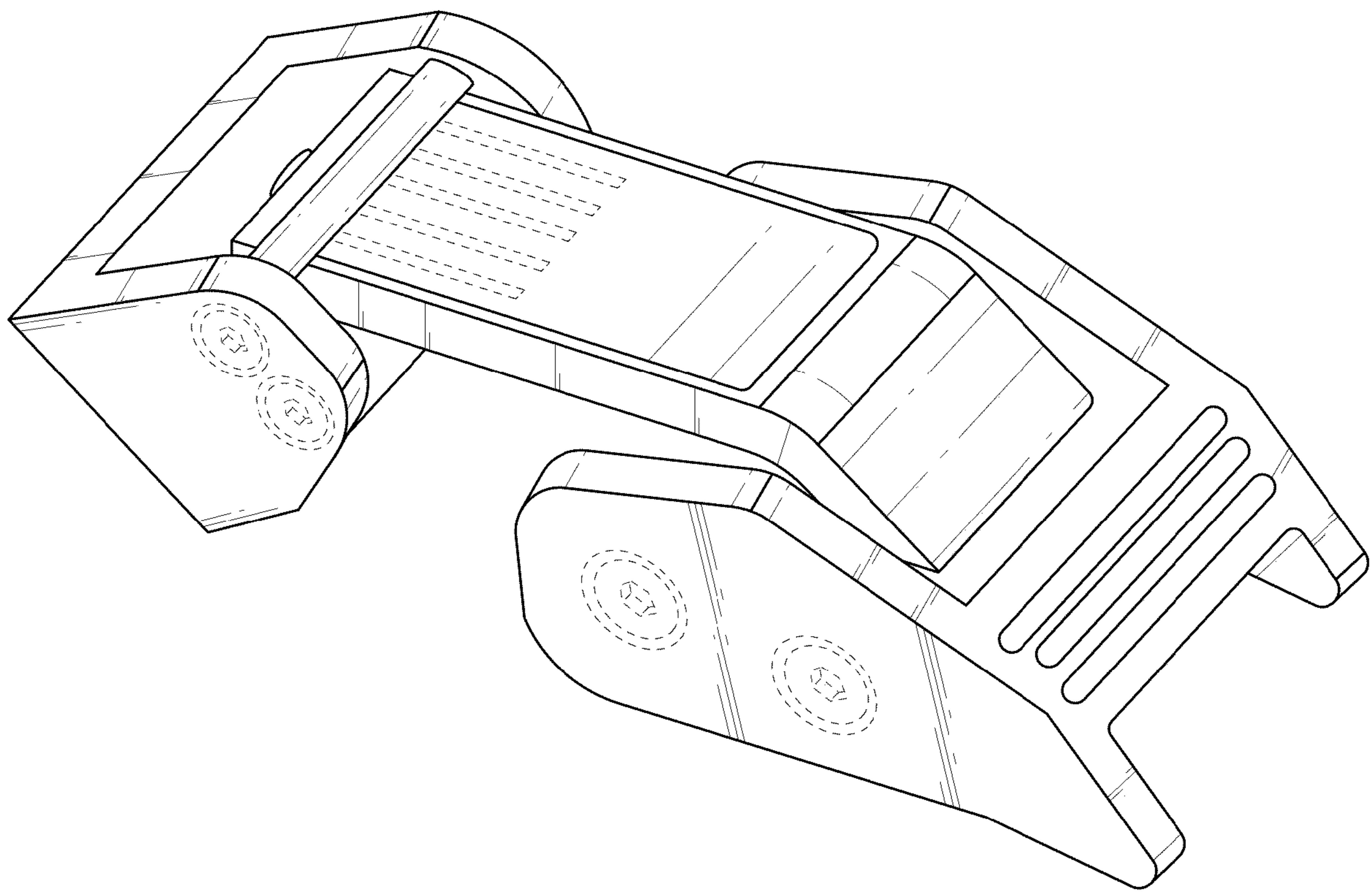


FIG. 1

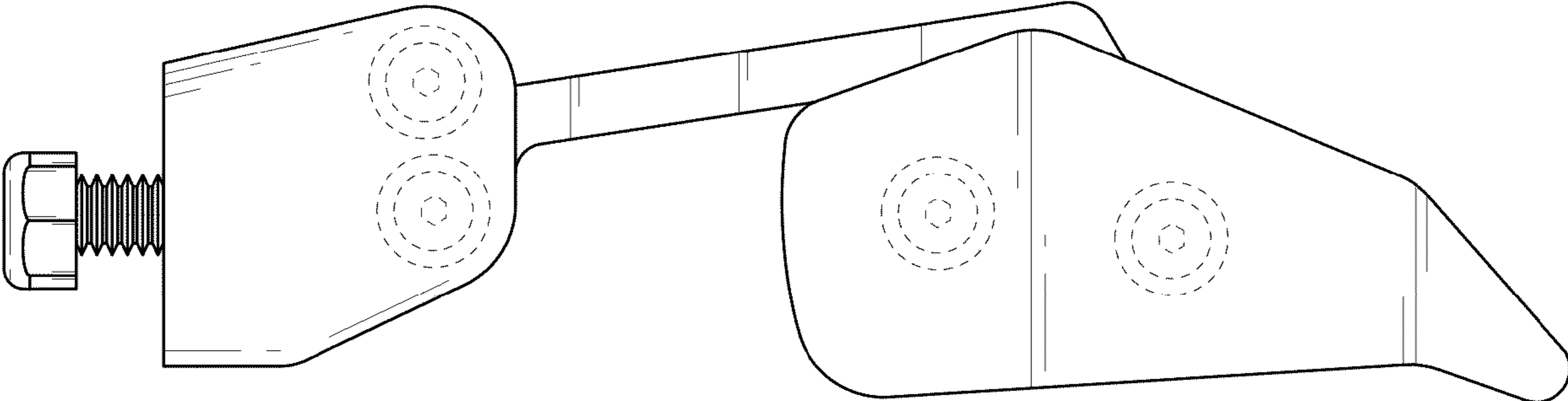


FIG. 2

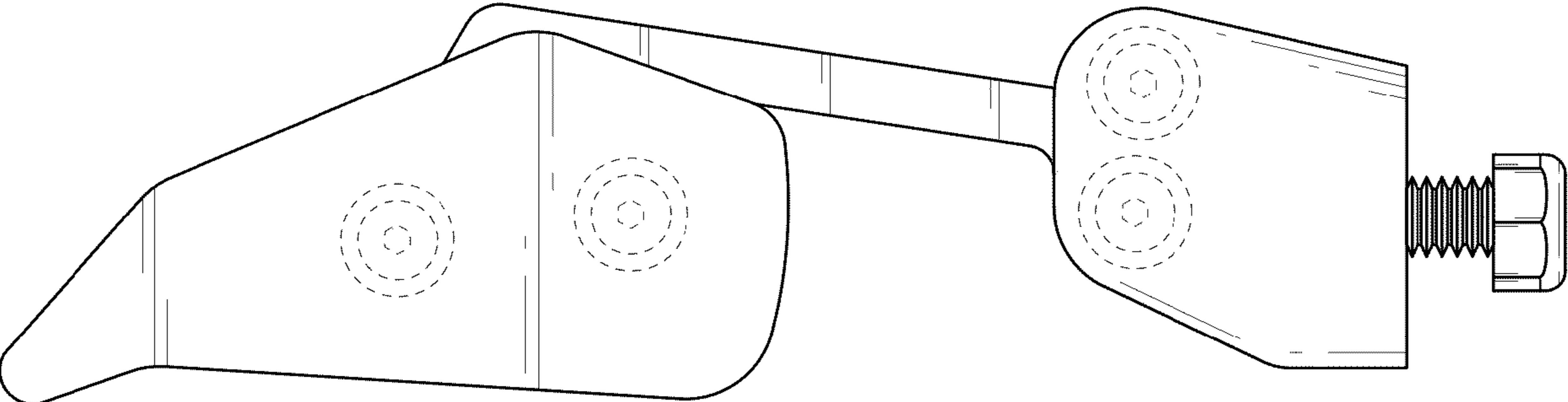


FIG. 3

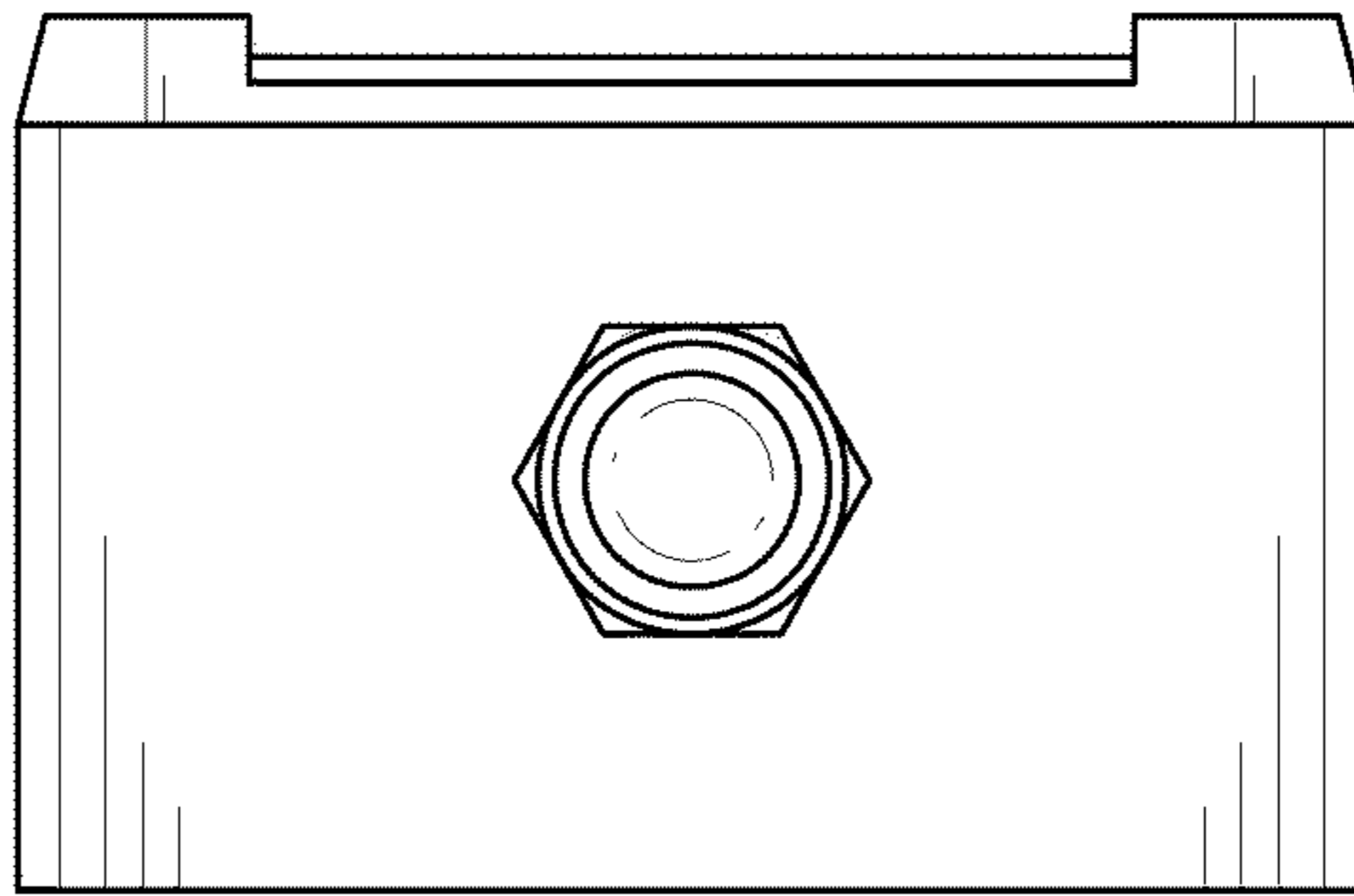


FIG. 4

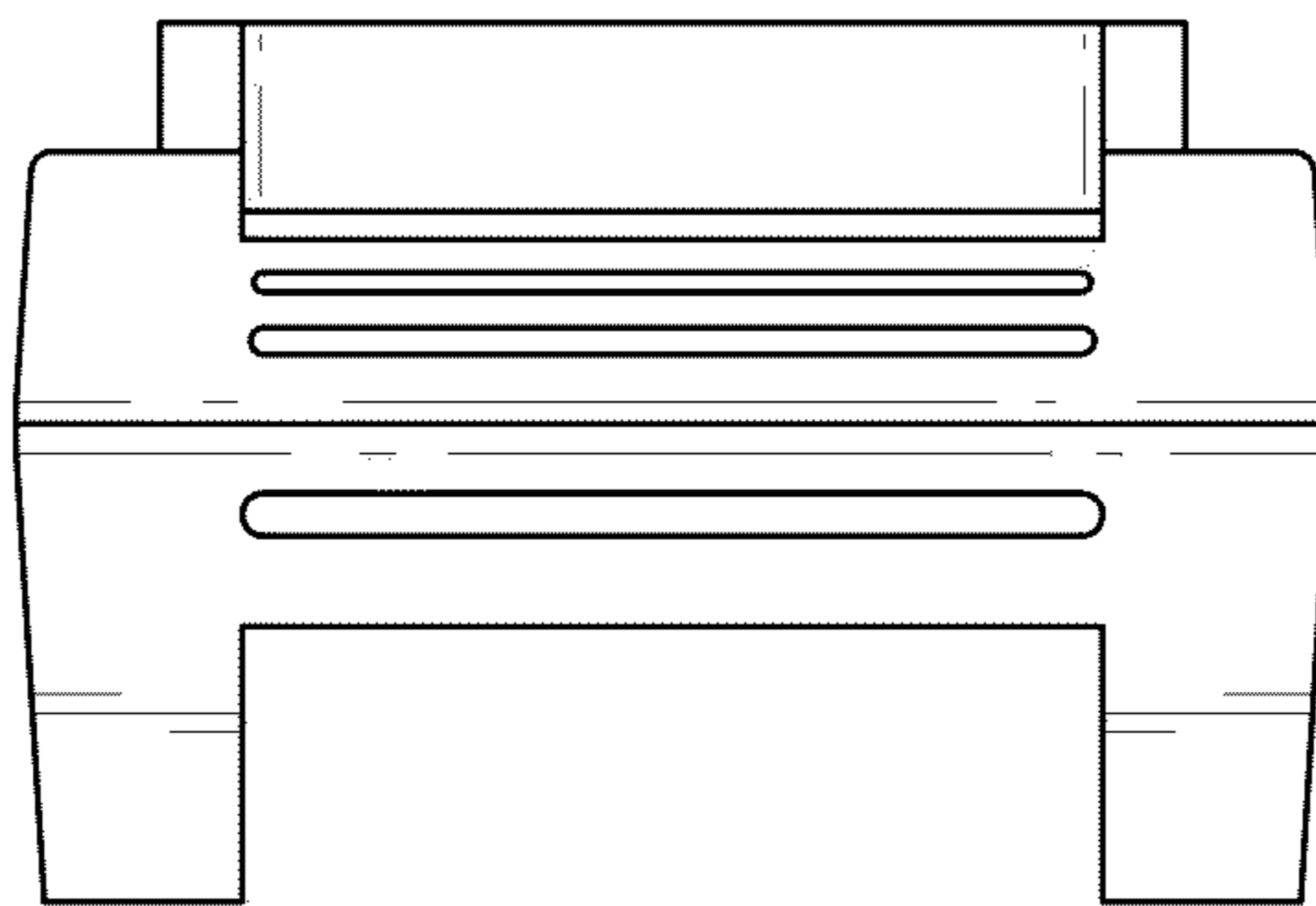


FIG. 5

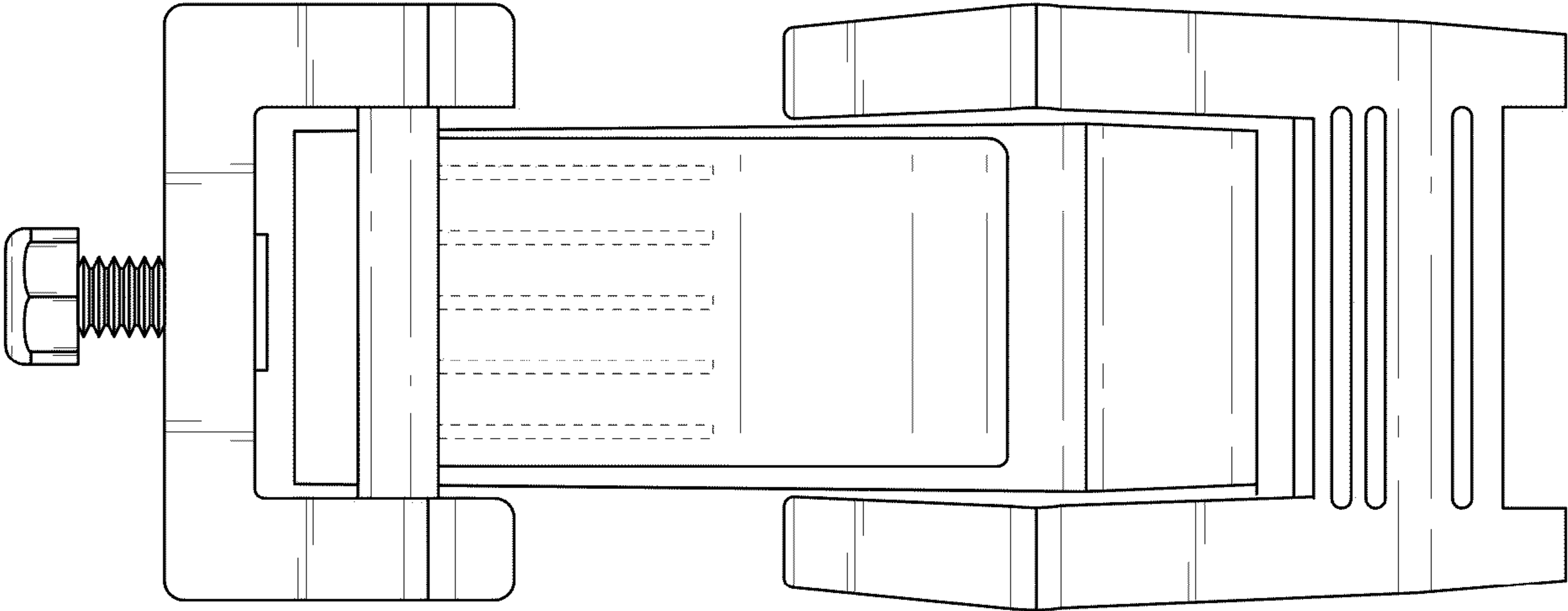


FIG. 6

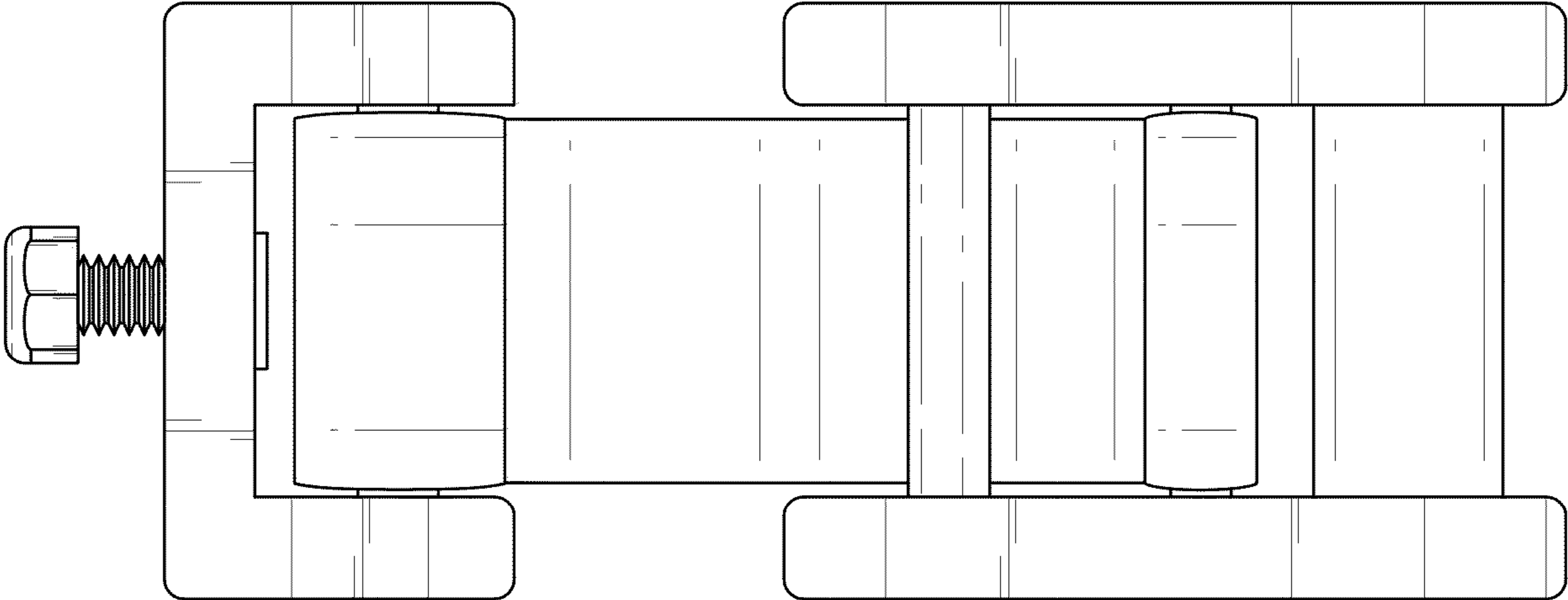


FIG. 7