



US00D987407S

(12) **United States Design Patent** (10) **Patent No.:** **US D987,407 S**
Czuhajewski et al. (45) **Date of Patent:** **** May 30, 2023**

(54) **CABINET HANDLE**

OTHER PUBLICATIONS

- (71) Applicant: **Belwith Products, LLC**, Grandville, MI (US)
- (72) Inventors: **Kendra Elizabeth Czuhajewski**, Middleville, MI (US); **David Jon Warmenhoven**, Grandville, MI (US)
- (73) Assignee: **Belwith Products, LLC**, Grandville, MI (US)
- (**) Term: **15 Years**
- (21) Appl. No.: **29/769,260**
- (22) Filed: **Feb. 4, 2021**
- (51) **LOC (14) Cl.** **08-06**
- (52) **U.S. Cl.**
USPC **D8/316**
- (58) **Field of Classification Search**
USPC D8/315–316, 319–322
CPC A47B 95/02; Y10T 16/458; Y10T 16/462
See application file for complete search history.

“Amerock BP27024WN Porter Pull”, Nov. 8, 2006, Amazon.com, site visited Nov. 29, 2022: <https://www.amazon.com/dp/B000KF4B2S> (Year: 2006).*

“SAF NDYTD5 6Pack Oval Bronze Drawer Pulls”, Sep. 20, 2020, Amazon.com, site visited Nov. 29, 2022: <https://www.amazon.com/Kitchen-Cabinet-Handles-Bathroom-Hardware/dp/B08JLC22D4> (Year: 2020).*

“Maven Collection—Hickory Hardware”, Jan. 20, 2021, YouTube.com, site visited Nov. 29, 2022: <https://www.youtube.com/watch?v=fgcFNxd42RE> (Year: 2021).*

“Qiaoo 30 Pack Zinc Alloy Premium Cabinet Handles”, Aug. 12, 2022, Amazon.com, site visited Nov. 29, 2022: <https://www.amazon.com/dp/B0B9FHKK7> (Year: 2022).*

* cited by examiner

Primary Examiner — Jack Reickel
Assistant Examiner — Michael A Kervin
 (74) *Attorney, Agent, or Firm* — Economou IP Law;
 Vangelis Economou

(56) **References Cited**

U.S. PATENT DOCUMENTS

D186,304 S	*	10/1959	Aubrey et al.	D8/DIG. 1
D188,041 S	*	5/1960	Tassell	D8/DIG. 1
D198,201 S	*	5/1964	Clayton	D8/DIG. 1
D372,659 S	*	8/1996	De’Armond	D8/317
D399,406 S	*	10/1998	Decursu	D8/317
D411,729 S	*	6/1999	Langmuir	D8/320
D552,957 S	*	10/2007	Krumpe	D8/316
D563,196 S	*	3/2008	Ricereto	D8/315
D587,982 S	*	3/2009	Mattson	D8/317
D833,253 S	*	11/2018	Lowe	D8/316
D848,240 S	*	5/2019	Higgs	D8/315
D878,900 S	*	3/2020	Warmenhoven	D8/316
D889,243 S	*	7/2020	Eads	D8/316
D968,193 S	*	11/2022	Habbouch	D8/316

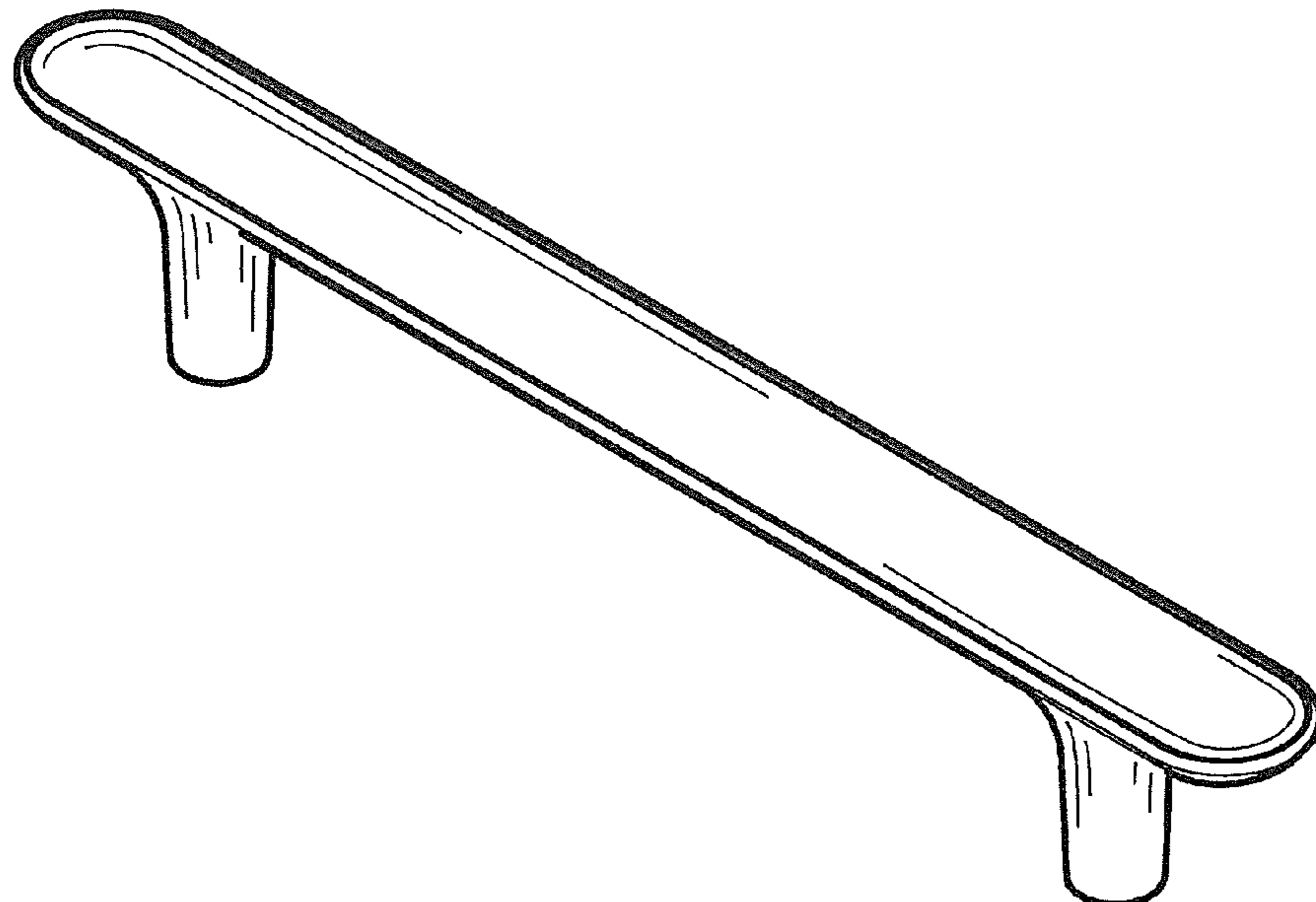
(57) **CLAIM**

The ornamental design for a cabinet handle, as shown and described.

DESCRIPTION

FIG. 1 is a perspective view of the cabinet handle showing my new design;
 FIG. 2 is a reduced front elevational view thereof;
 FIG. 3 is a back elevational view thereof;
 FIG. 4 is a right side view thereof;
 FIG. 5 is a left side view thereof;
 FIG. 6 is a top view thereof; and,
 FIG. 7 is a bottom view thereof.

1 Claim, 2 Drawing Sheets



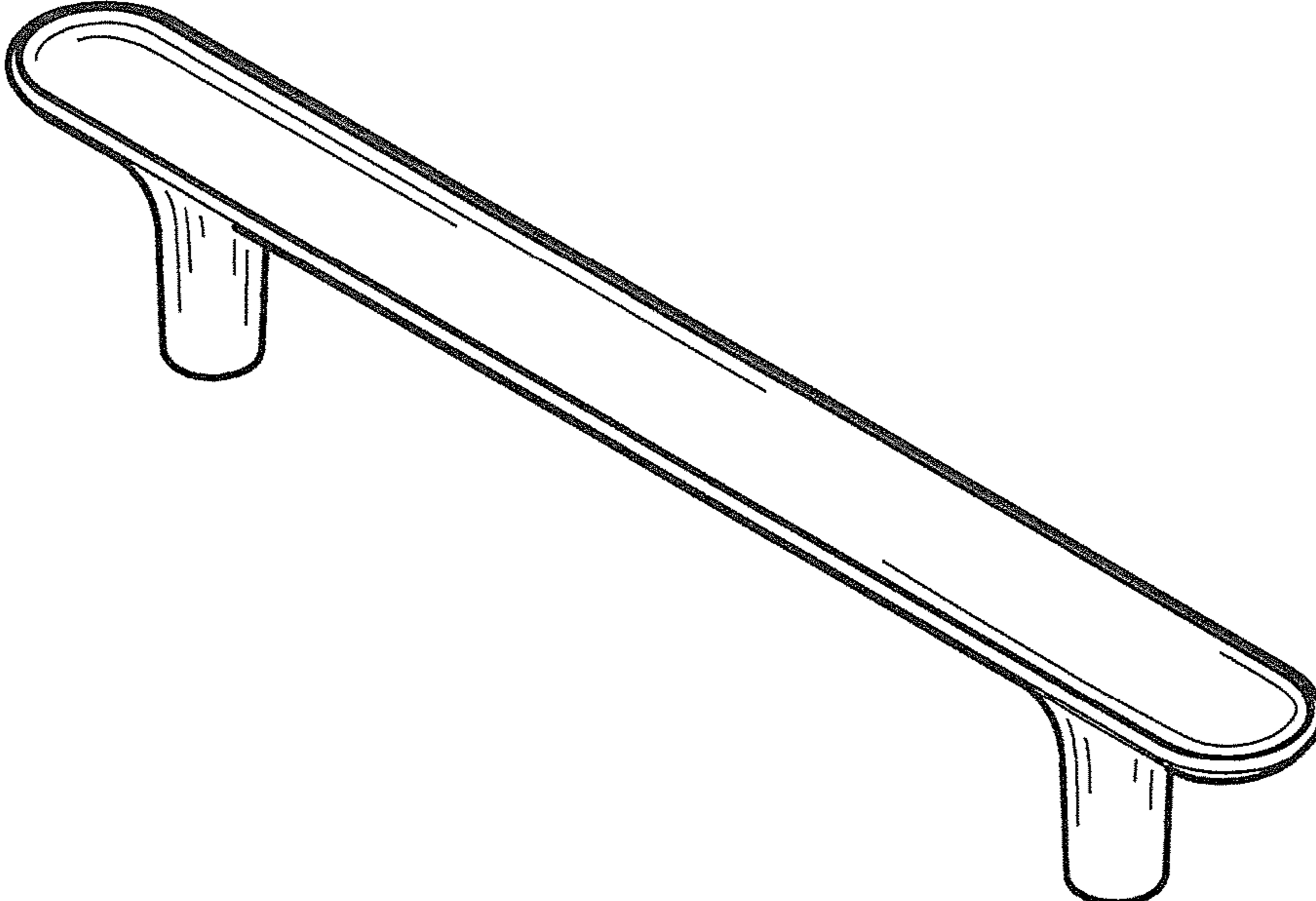


FIG. 1

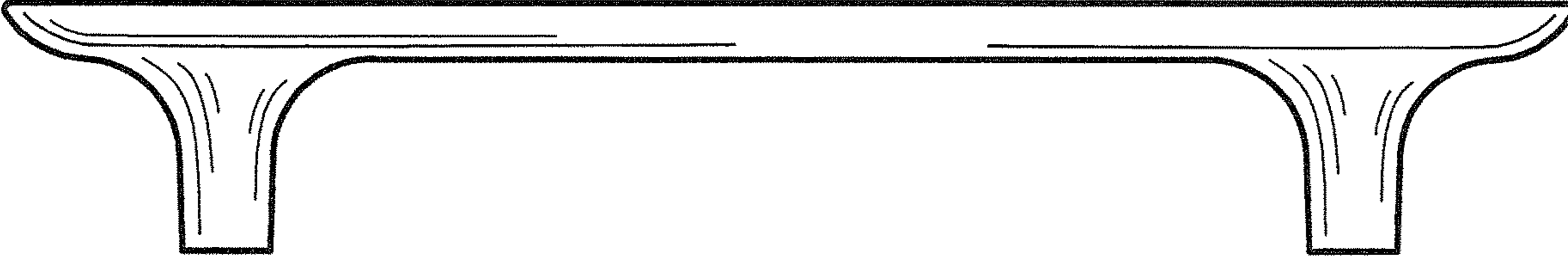


FIG. 2

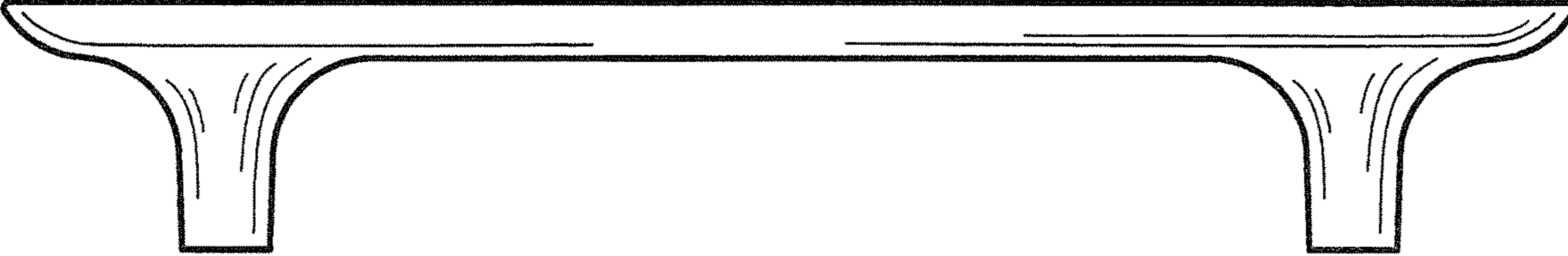


FIG. 3

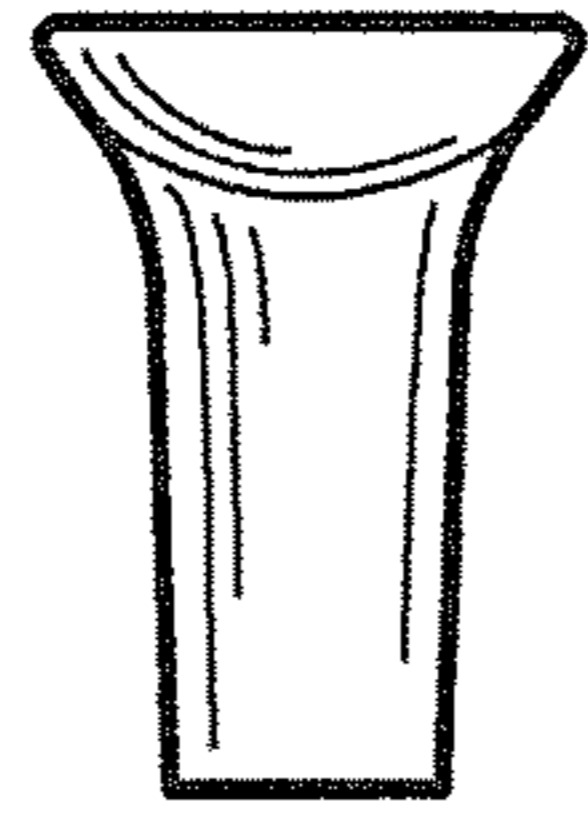


FIG. 4

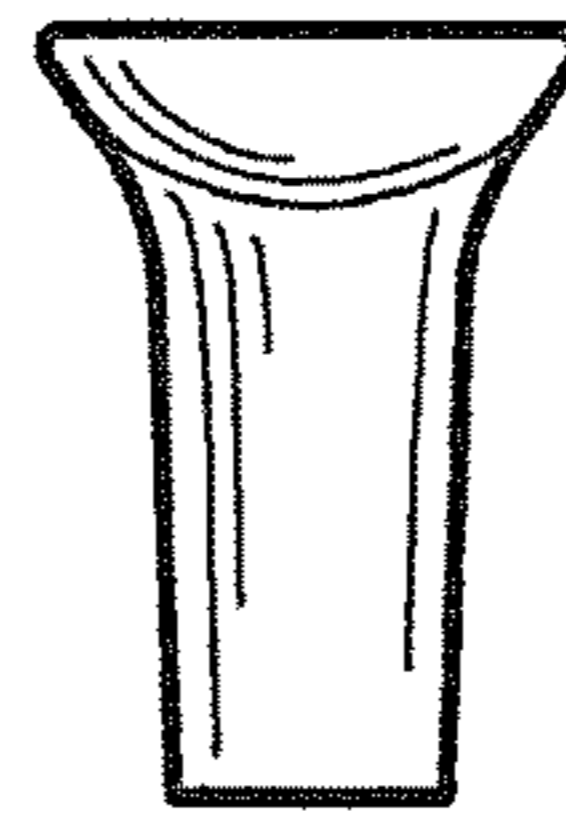


FIG. 5

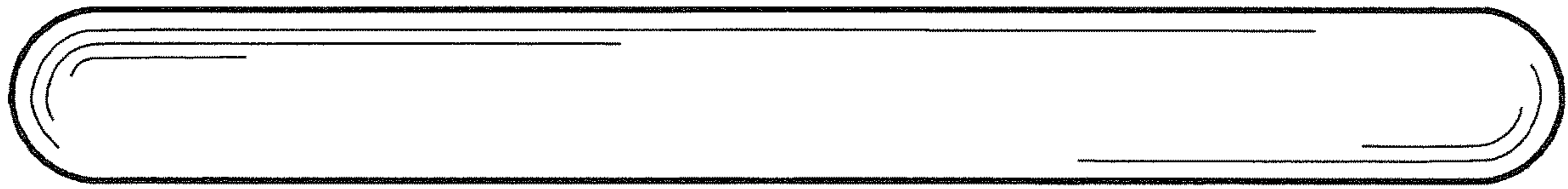


FIG. 6



FIG. 7