



US00D987406S

(12) **United States Design Patent** (10) **Patent No.:** **US D987,406 S**  
**Olson et al.** (45) **Date of Patent:** **\*\* May 30, 2023**

- (54) **CABINET HANDLE**
- (71) Applicant: **Belwith Products, LLC**, Grandville, MI (US)
- (72) Inventors: **Taylor Joan Olson**, Grand Rapids, MI (US); **Kendra Elizabeth Czuhajewski**, Middleville, MI (US)
- (73) Assignee: **Belwith Products, LLC**, Grandville, MI (US)
- (\*\*) Term: **15 Years**
- (21) Appl. No.: **29/769,255**
- (22) Filed: **Feb. 4, 2021**
- (51) **LOC (14) Cl.** ..... **08-06**
- (52) **U.S. Cl.**  
USPC ..... **D8/316**
- (58) **Field of Classification Search**  
USPC ..... D8/315–316, 319–322  
CPC ..... A47B 95/02; Y10T 16/458; Y10T 16/462  
See application file for complete search history.

- D564,854 S \* 3/2008 Thompson ..... D8/315
- D737,653 S \* 9/2015 Fuller ..... D8/316
- D832,674 S \* 11/2018 Musatto ..... D8/315

**OTHER PUBLICATIONS**

“Amerock—Cabinet Pull—Satin Nickel”, May 1, 2016, Amazon.com, site visited Nov. 29, 2022: <https://www.amazon.com/dp/B01DW06RQU> (Year: 2016).\*

“Alzassbg 10 Pack Oil Rubbed Bronze Cabinet Pulls”, Apr. 24, 2019, Amazon.com, site visited Nov. 29, 2022: <https://www.amazon.com/dp/B07R4S5NR3> (Year: 2019).\*

“Reserve Collection—Belwith Keeler”, Jan. 19, 2021, YouTube.com, site visited Nov. 29, 2022: <https://www.youtube.com/watch?v=FmjEjWbZXOY> (Year: 2021).\*

\* cited by examiner

*Primary Examiner* — Jack Reickel  
*Assistant Examiner* — Michael A Kervin  
 (74) *Attorney, Agent, or Firm* — Economou IP Law; Vangelis Economou

(57) **CLAIM**

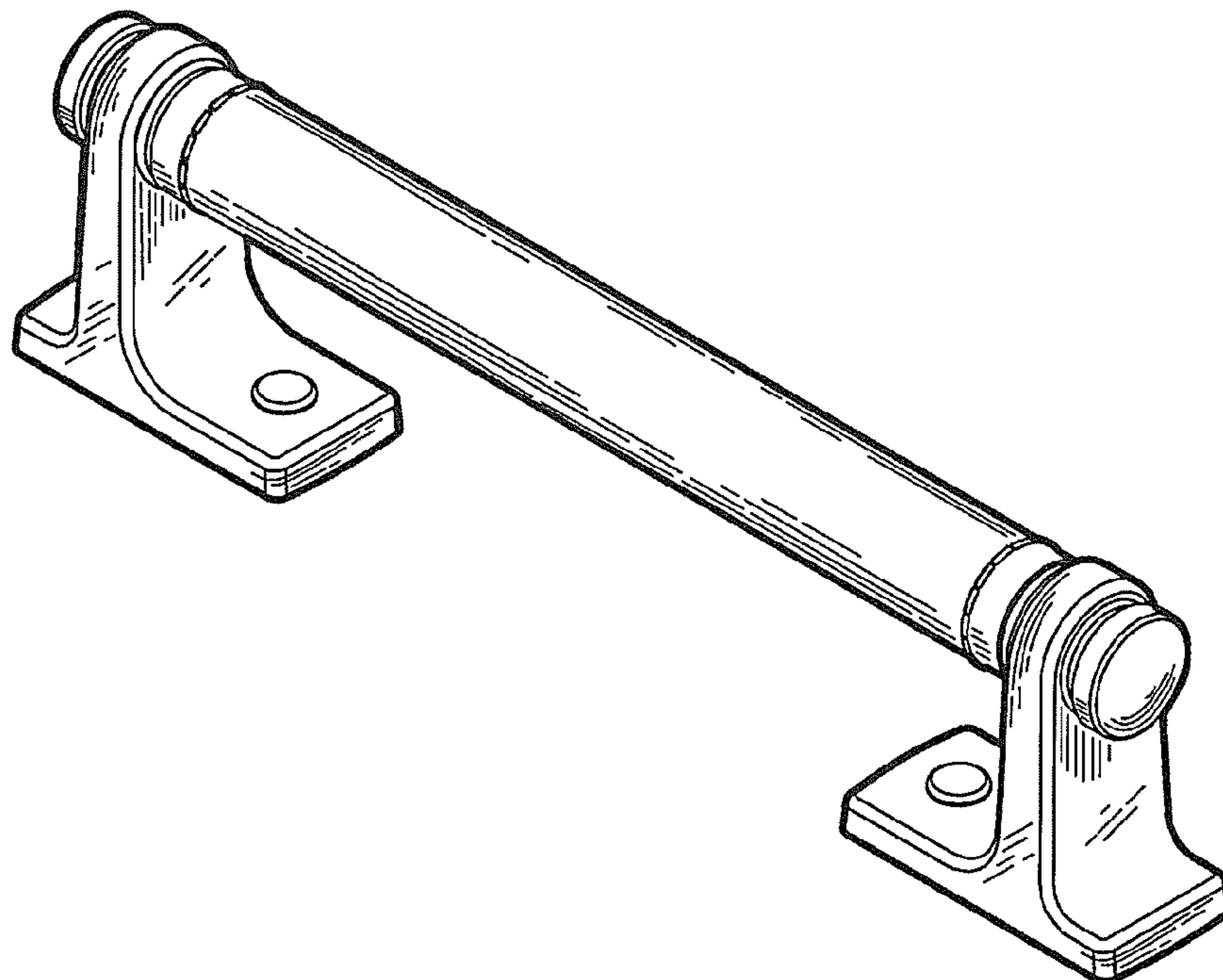
The ornamental design for a cabinet handle, as shown and described.

**DESCRIPTION**

FIG. 1 is a perspective view of the cabinet handle showing my new design;  
 FIG. 2 is a reduced front elevational view thereof;  
 FIG. 3 is a back elevational view thereof;  
 FIG. 4 is a right side view thereof;  
 FIG. 5 is a left side view thereof;  
 FIG. 6 is a top view thereof; and,  
 FIG. 7 is a bottom view thereof.

**1 Claim, 2 Drawing Sheets**

- (56) **References Cited**
- U.S. PATENT DOCUMENTS
- D274,123 S \* 6/1984 Tegner ..... D8/316
- D299,110 S \* 12/1988 Jans ..... D8/316
- D328,853 S \* 8/1992 Fulton ..... D8/316
- D337,507 S \* 7/1993 Jans ..... D8/316
- D438,776 S \* 3/2001 Boscherini ..... D8/316
- D448,272 S \* 9/2001 Miller ..... D8/320
- D452,792 S \* 1/2002 Gilbert ..... D6/549
- D455,823 S \* 4/2002 Zetsche ..... D23/304
- D504,804 S \* 5/2005 Chen ..... D8/316
- D540,087 S \* 4/2007 Barry ..... D6/549



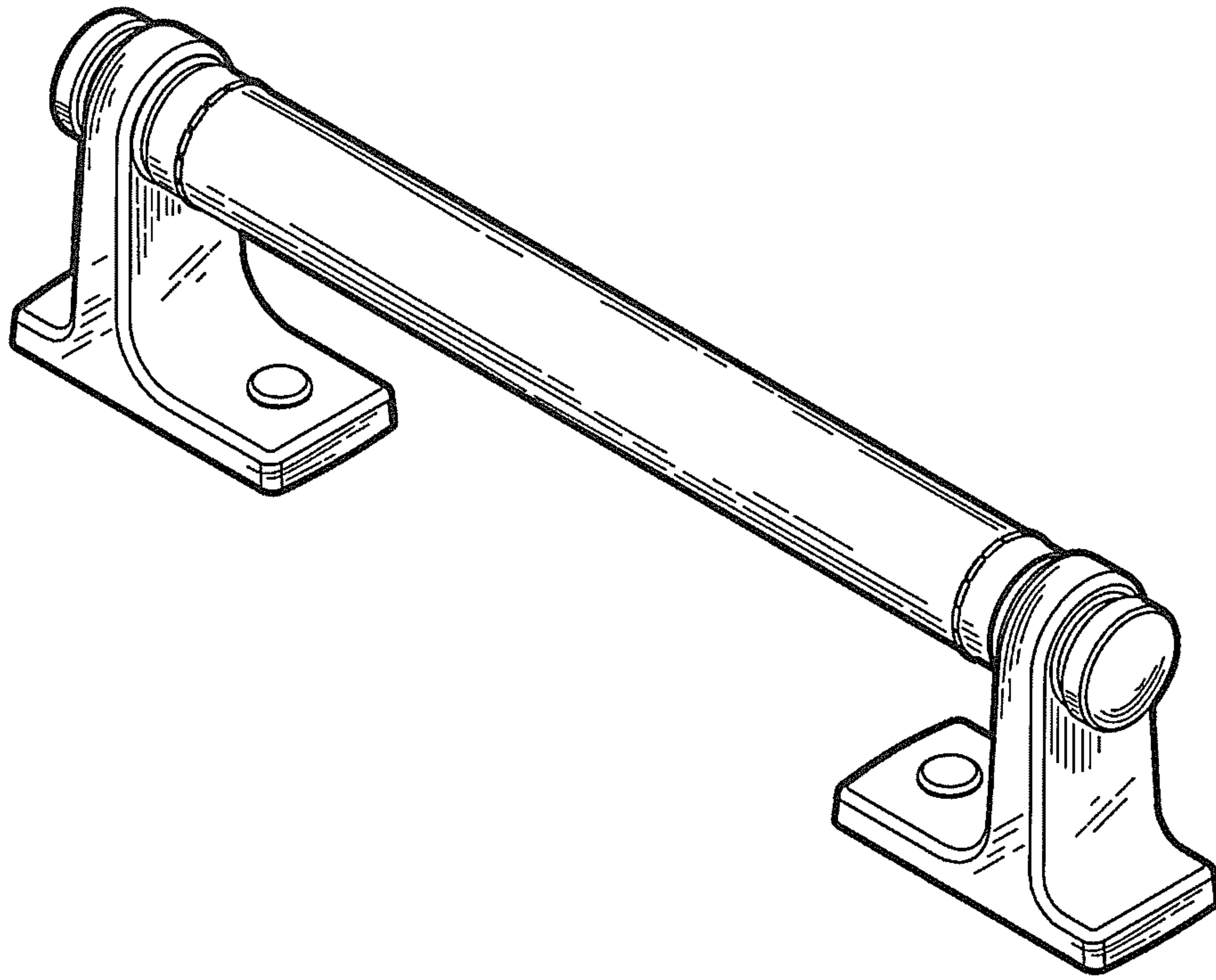


FIG. 1

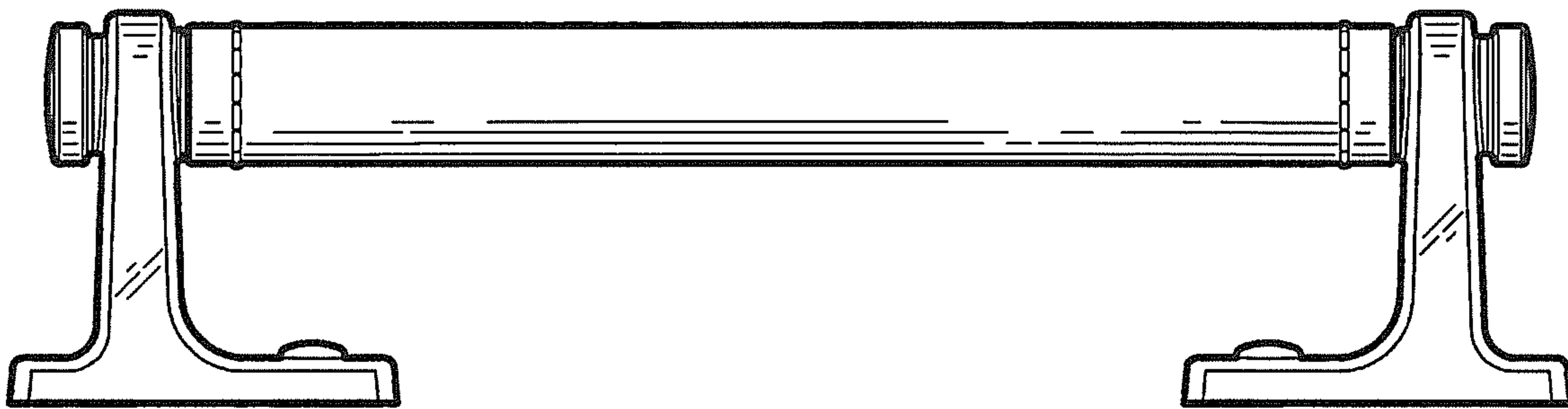


FIG. 2

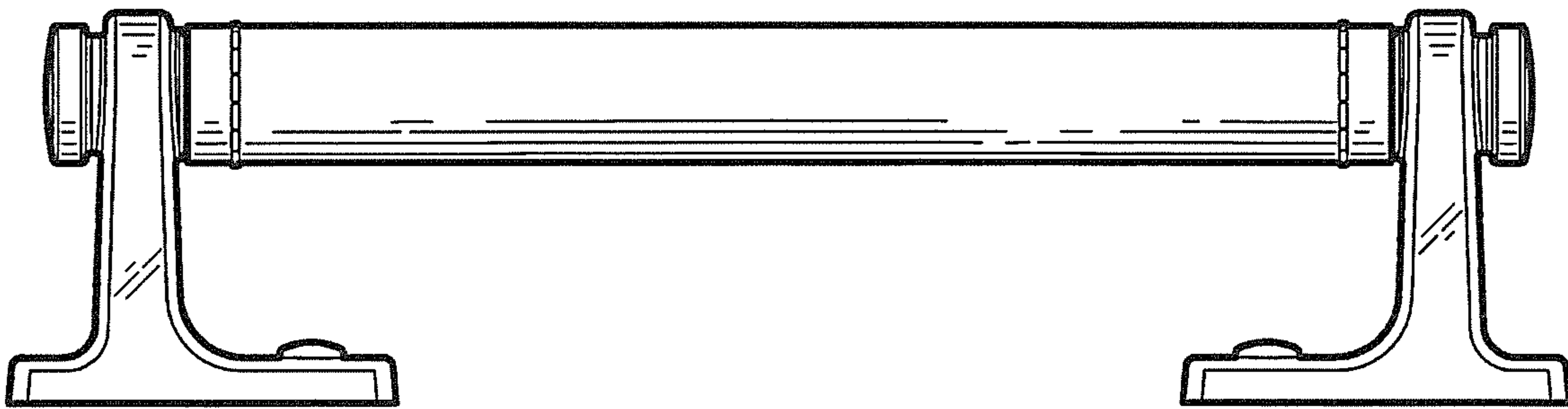


FIG. 3

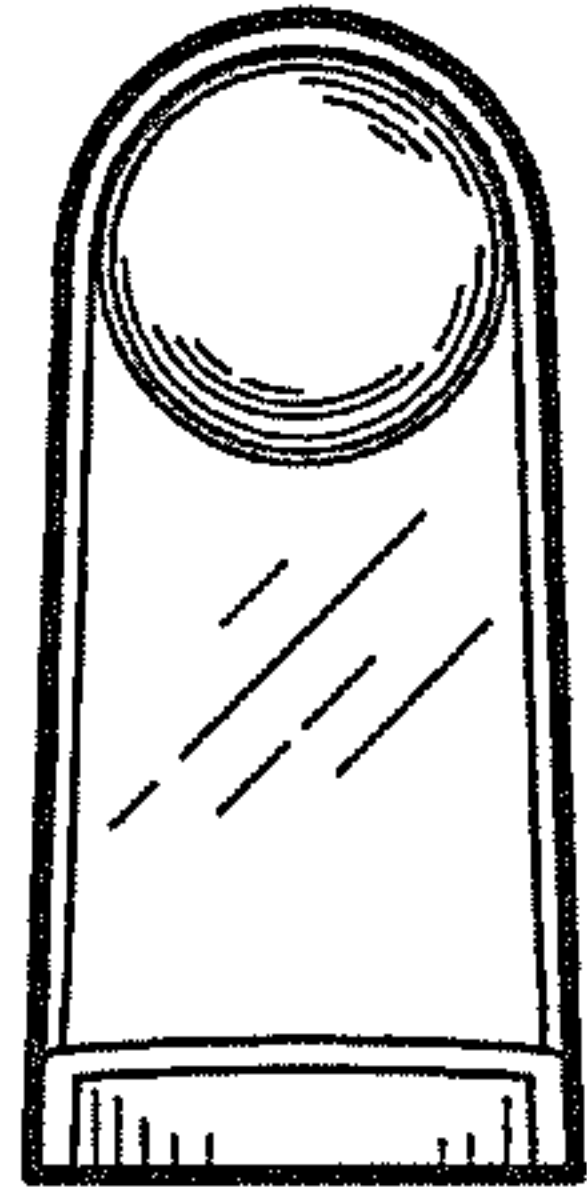


FIG. 4

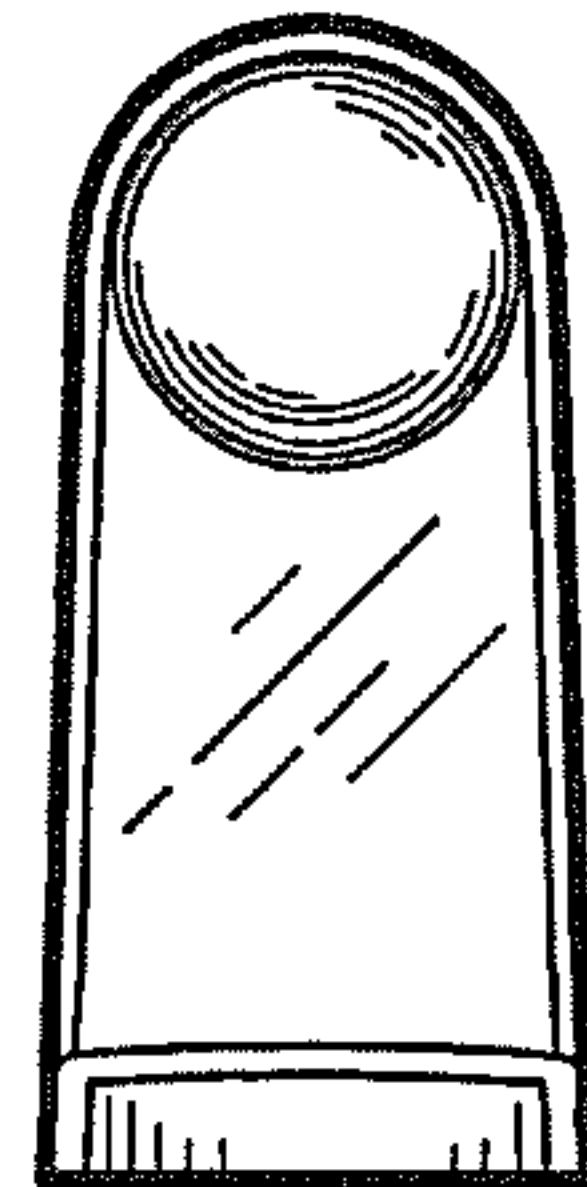


FIG. 5

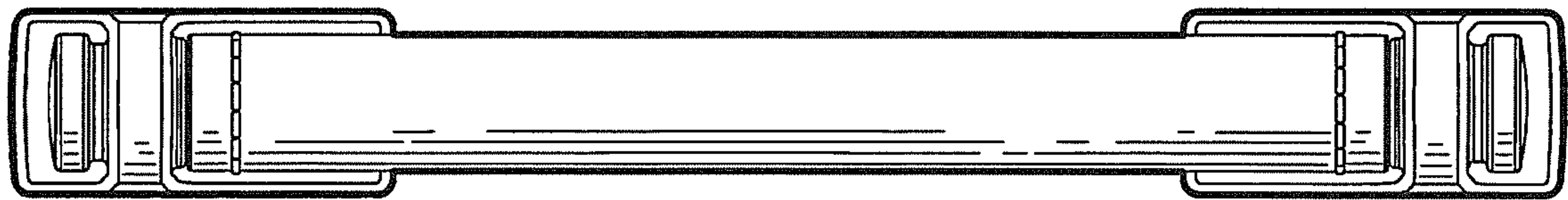


FIG. 6

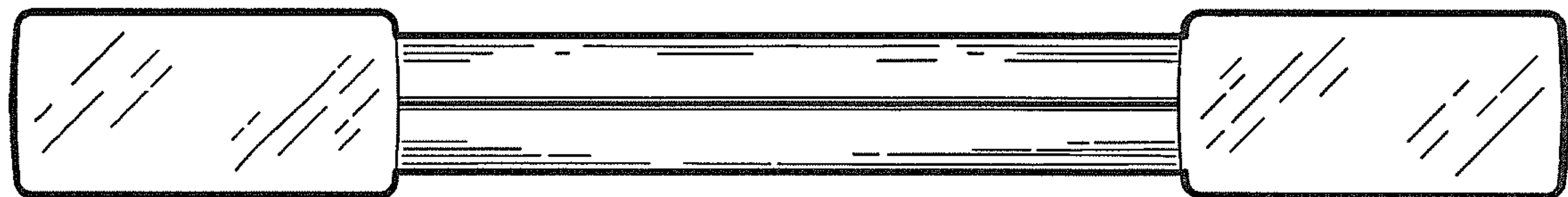


FIG. 7