



US00D987405S

(12) **United States Design Patent**
Olson et al.

(10) **Patent No.:** **US D987,405 S**

(45) **Date of Patent:** **** May 30, 2023**

(54) **CABINET HANDLE**

- (71) Applicant: **Belwith Products, LLC**, Grandville, MI (US)
- (72) Inventors: **Taylor Joan Olson**, Grand Rapids, MI (US); **Lisa Kay Koskela**, Grand Rapids, MI (US)
- (73) Assignee: **Belwith Products, LLC**, Grandville, MI (US)

(**) Term: **15 Years**

(21) Appl. No.: **29/769,254**

(22) Filed: **Feb. 4, 2021**

(51) **LOC (14) Cl.** **11-05**

(52) **U.S. Cl.**
USPC **D8/316; D8/350**

(58) **Field of Classification Search**
USPC D8/315–316, 319–322
CPC A47B 95/02; Y10T 16/458; Y10T 16/462
See application file for complete search history.

(56) **References Cited**

U.S. PATENT DOCUMENTS

2,306,844	A	*	12/1942	Schultz	E04H 13/00
						D8/316
D210,160	S	*	2/1968	Stone	D8/316
D225,822	S	*	1/1973	James	D8/316
D229,027	S	*	11/1973	Clayton	D8/316
D229,294	S	*	11/1973	Clayton	D8/316
D233,409	S	*	10/1974	Zagaroli	D8/316
D243,662	S	*	3/1977	James	D8/316
D268,246	S	*	3/1983	Tegner	D8/353
D374,300	S	*	10/1996	Germany	D8/320
D375,886	S	*	11/1996	Mattson	D8/352

OTHER PUBLICATIONS

- “10 Pack—Cosmas B-112-96SN Satin Nickel Cabinet Hardware Handle Pull Backplate”, Sep. 24, 2015, Amazon.com, site visited Nov. 29, 2022: <https://www.amazon.com/10-Pack-B-112-96SN-Hardware-Backplate/dp/B015RVZM7W> (Year: 2015).*
- “Sydien 4Pcs Drawer Ring Pulls”, Apr. 11, 2018, Amazon.com, site visited Nov. 29, 2022: <https://www.amazon.com/dp/B07C3TVV9Q> (Year: 2018).*
- “Coventry Collection—Belwith Keeler”, Jan. 19, 2021, YouTube.com, site visited Nov. 29, 2022: <https://www.youtube.com/watch?v=Vd-MbjNpem4> (Year: 2021).*

* cited by examiner

Primary Examiner — Jack Reickel

Assistant Examiner — Michael A Kervin

(74) *Attorney, Agent, or Firm* — Economou IP Law;
Vangelis Economou

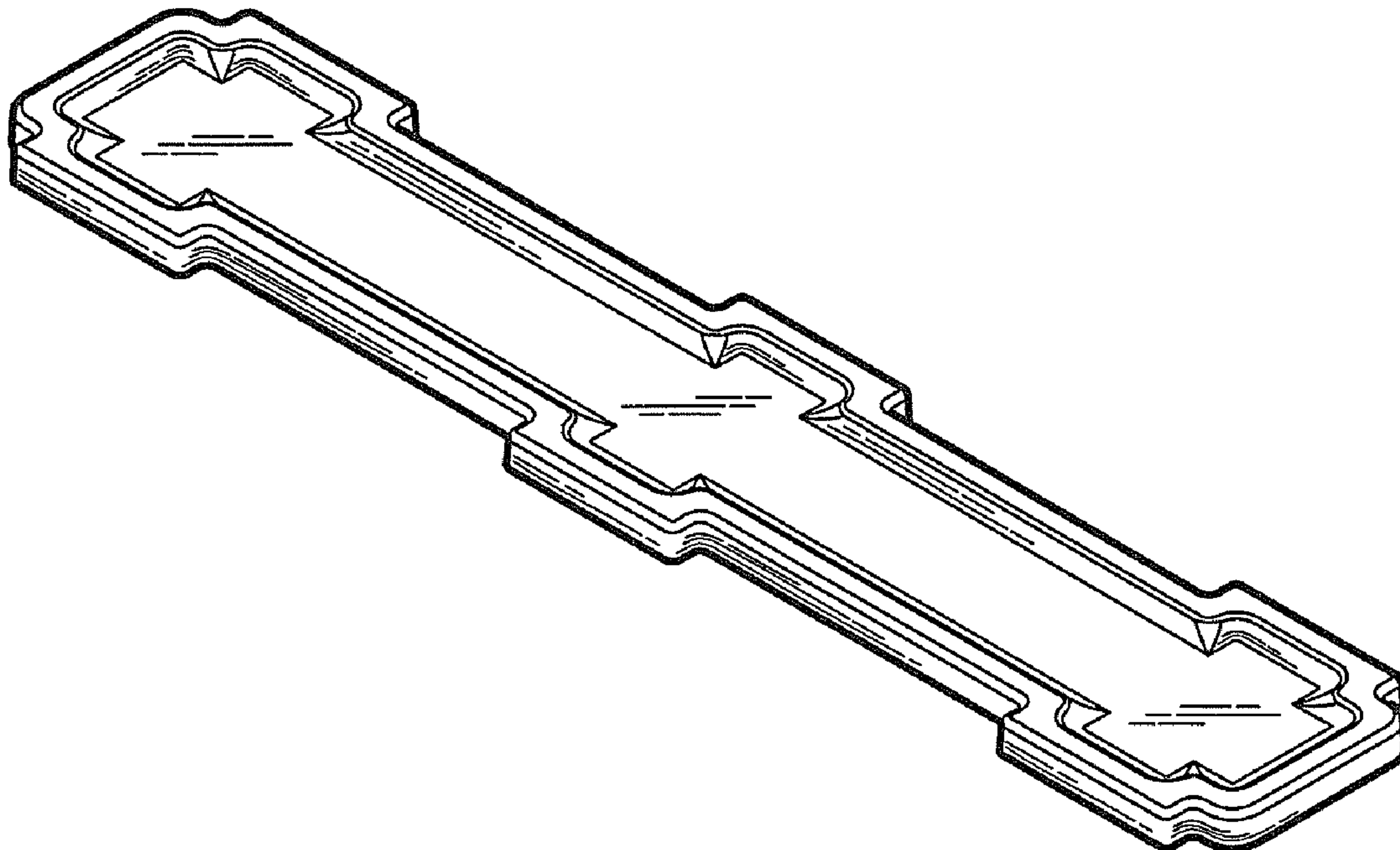
(57) **CLAIM**

The ornamental design for a cabinet handle, as shown and described.

DESCRIPTION

FIG. 1 is a perspective view of the cabinet handle showing my new design;
FIG. 2 is a reduced front elevational view thereof;
FIG. 3 is a back elevational view thereof;
FIG. 4 is a right side view thereof;
FIG. 5 is a left side view thereof;
FIG. 6 is a top view thereof; and,
FIG. 7 is a bottom view thereof.

1 Claim, 2 Drawing Sheets



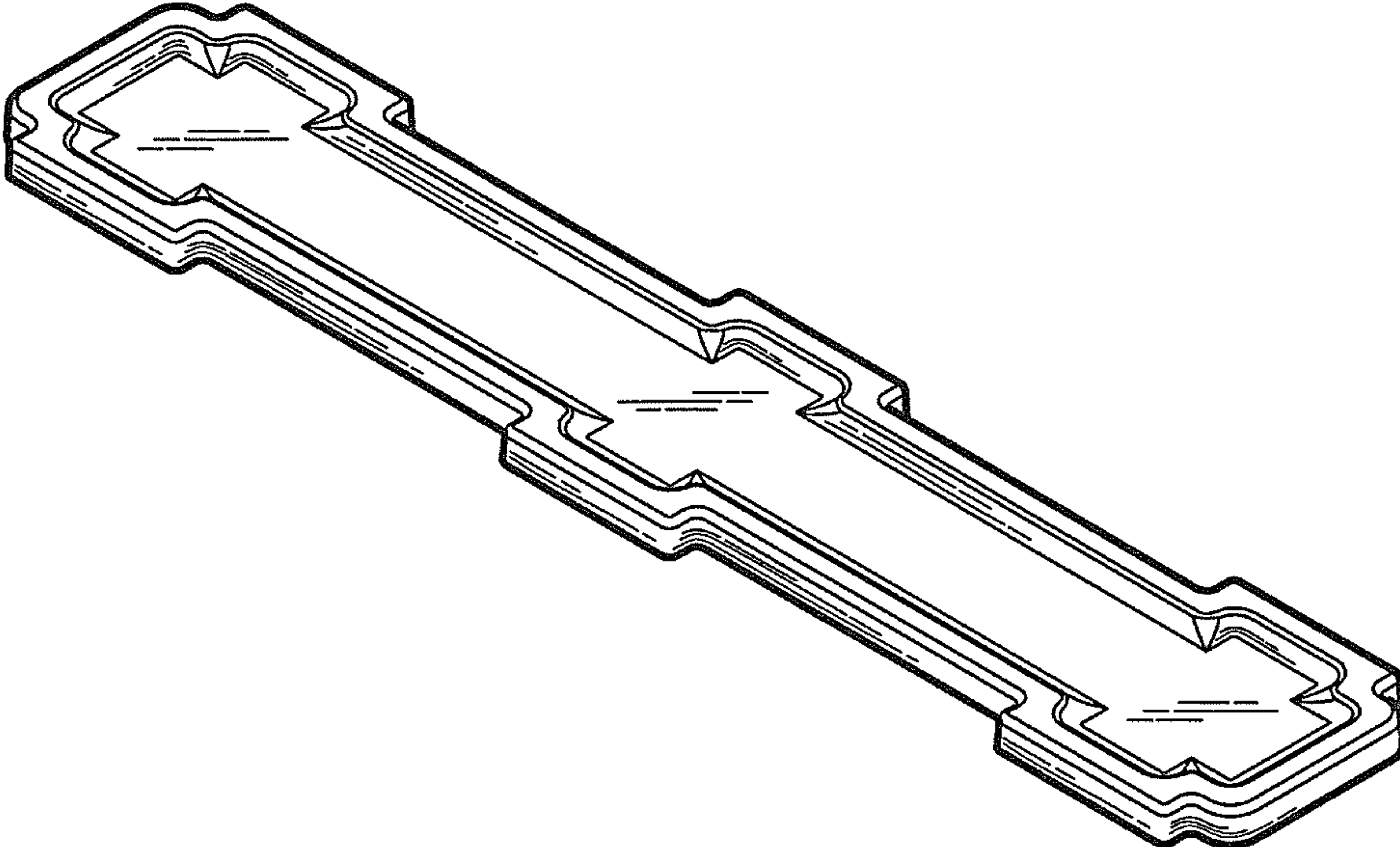


FIG. 1



FIG. 2



FIG. 3

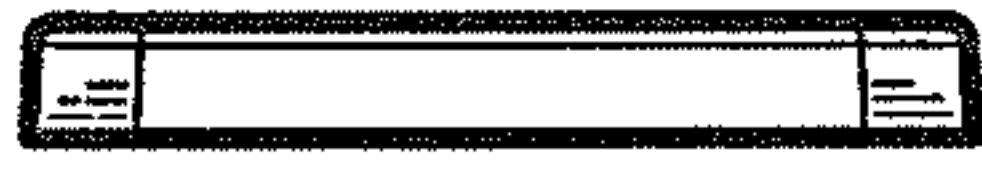


FIG. 4

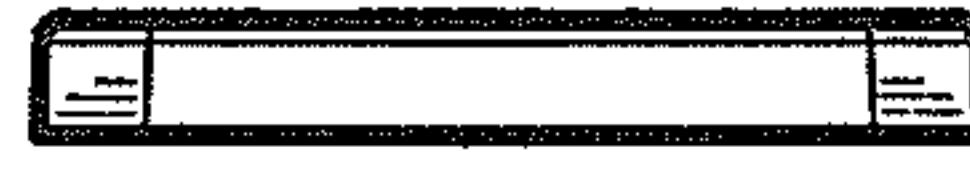


FIG. 5

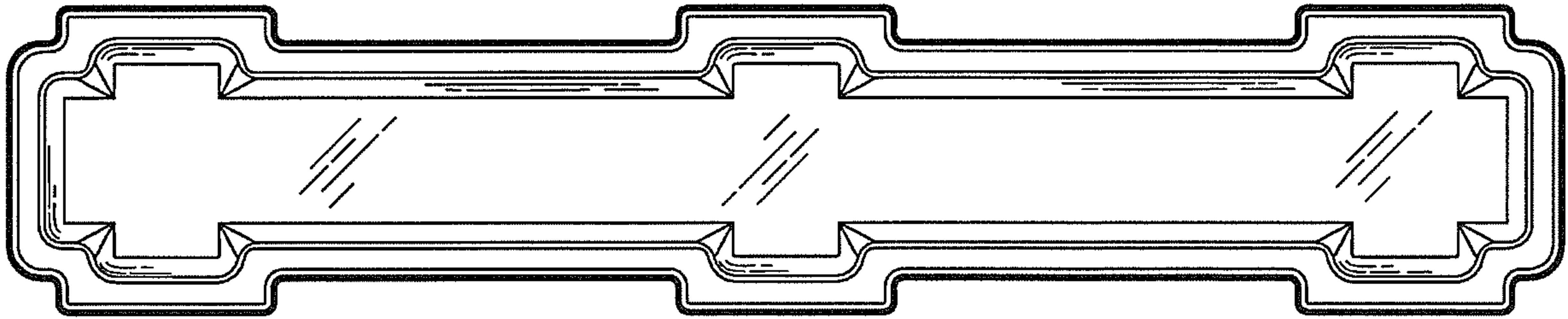


FIG. 6

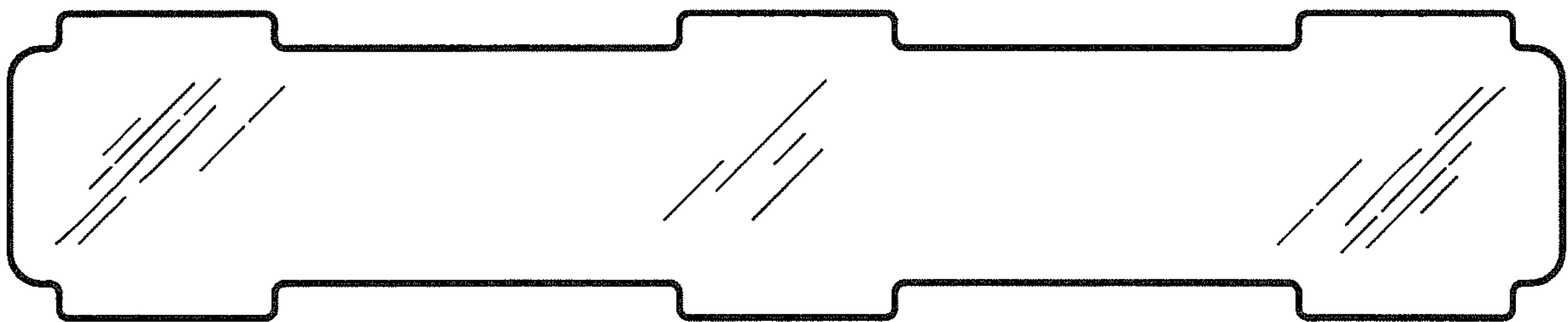


FIG. 7