



US00D987404S

(12) **United States Design Patent** (10) **Patent No.:** **US D987,404 S**
Payne (45) **Date of Patent:** **** May 30, 2023**

(54) **HANDLE**
(71) Applicant: **BLACK & DECKER INC.**, New Britain, CT (US)
(72) Inventor: **Timothy J. Payne**, Columbus, OH (US)
(73) Assignee: **BLACK & DECKER INC.**, New Britain, CT (US)
(**) Term: **15 Years**
(21) Appl. No.: **29/782,570**
(22) Filed: **May 7, 2021**
(51) **LOC (14) Cl.** **08-05**
(52) **U.S. Cl.**
USPC **D8/107**
(58) **Field of Classification Search**
USPC D8/10, 107, 300
CPC B25G 1/01; B25G 1/04; B25G 1/06; E01H 5/02; E01H 5/00; Y10T 16/444; A01B 1/02; A01B 1/022; A01B 1/026; A01B 1/22; A01B 15/02
See application file for complete search history.

D592,920 S * 5/2009 Boies D8/10
D604,573 S * 11/2009 Boies F21V 23/0492
D8/10
D613,567 S * 4/2010 Atnip D8/10
D703,500 S * 4/2014 McFadden D8/14
D712,220 S * 9/2014 Boies D8/107
D764,889 S * 8/2016 Merten D8/107
D782,894 S * 4/2017 DePietro D8/107
D811,849 S * 3/2018 Chou D8/107
D845,105 S * 4/2019 Sokka D8/97
D848,814 S * 5/2019 Reese D8/107
D859,122 S * 9/2019 Masalin D8/107
D865,460 S * 11/2019 Masalin D8/10
D865,461 S * 11/2019 Masalin D8/10
D872,546 S * 1/2020 Landreville D8/107
2017/0370058 A1 * 12/2017 Herrera F21V 23/0492

* cited by examiner

Primary Examiner — Philip S Hyder
(74) *Attorney, Agent, or Firm* — Adan Ayala

(57) **CLAIM**

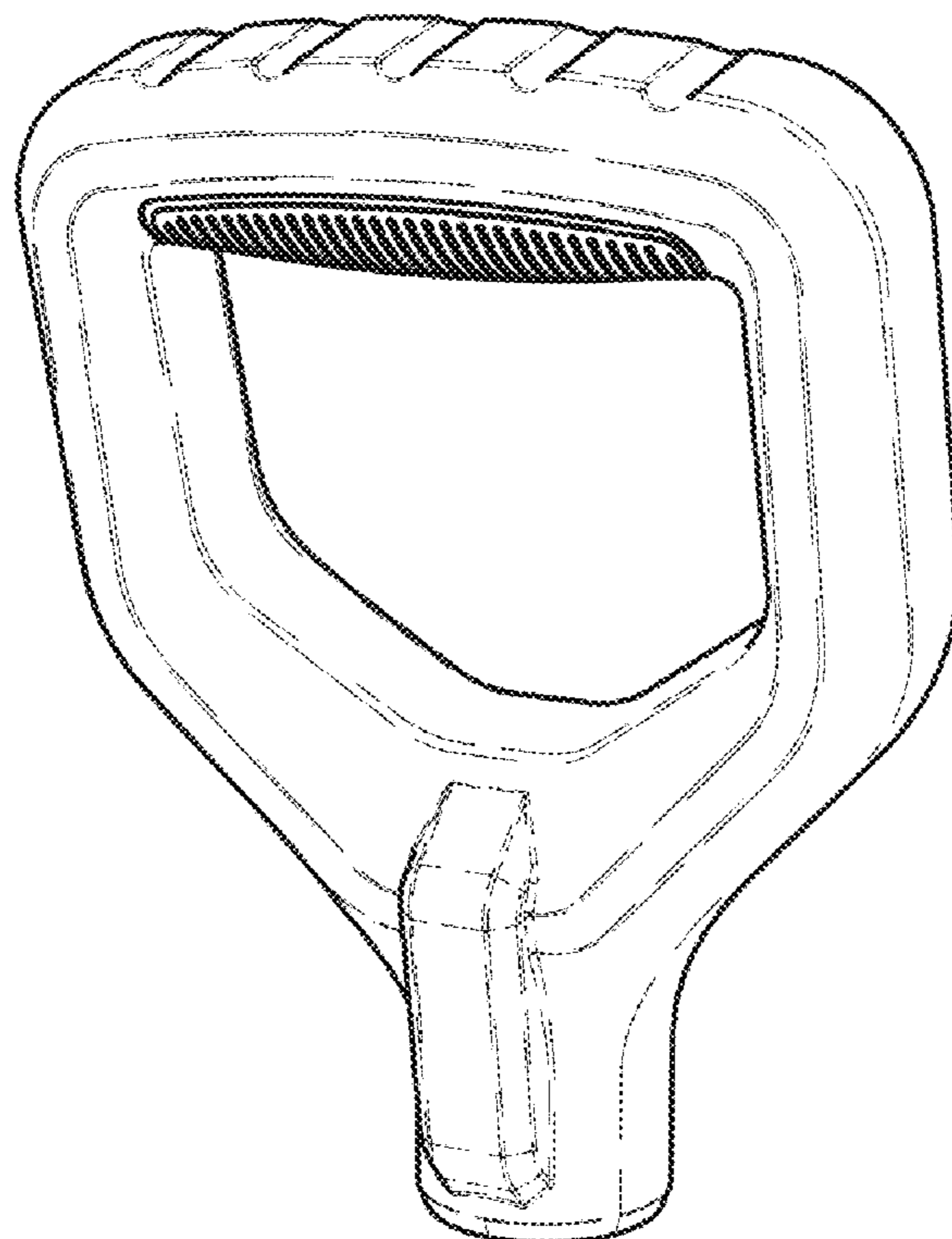
The ornamental design for a handle, as shown and described.

DESCRIPTION

FIG. 1 is a front perspective view of a handle according to the invention.
FIG. 2 is a front view of the handle of FIG. 1.
FIG. 3 is a rear view of the handle of FIG. 1.
FIG. 4 is a right side view of the handle of FIG. 1.
FIG. 5 is a left side view of the handle of FIG. 1.
FIG. 6 is a top plan view of the handle of FIG. 1; and
FIG. 7 is a bottom plan view of the handle of FIG. 1.

1 Claim, 3 Drawing Sheets

(56) **References Cited**
U.S. PATENT DOCUMENTS
D189,486 S * 12/1960 Walsh et al. D8/1
D269,490 S * 6/1983 Germain D8/1
D291,863 S * 9/1987 Kolonia D8/107
D384,873 S * 10/1997 Aquilina D8/107
D548,550 S * 8/2007 Yeh D8/10



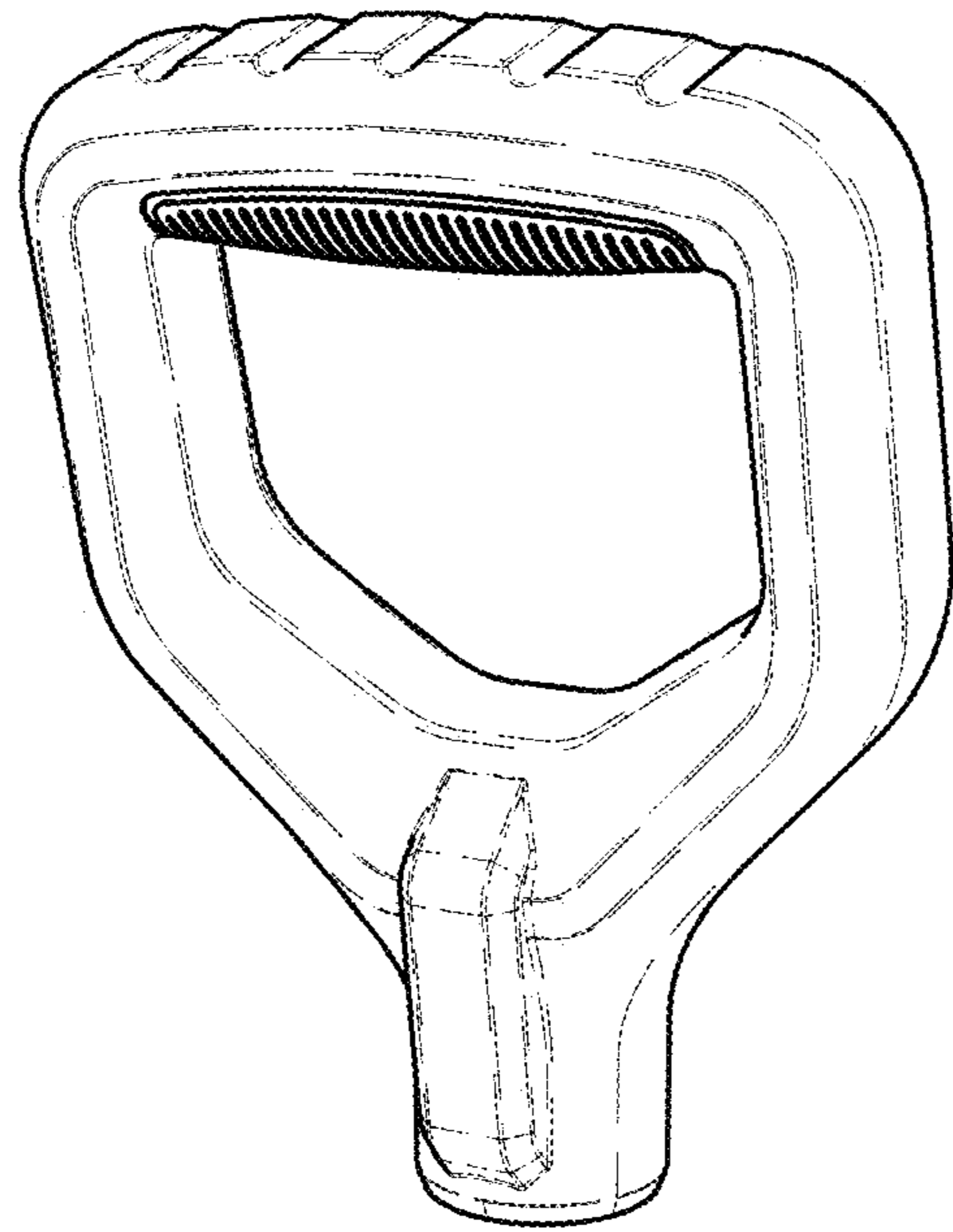


FIG. 1

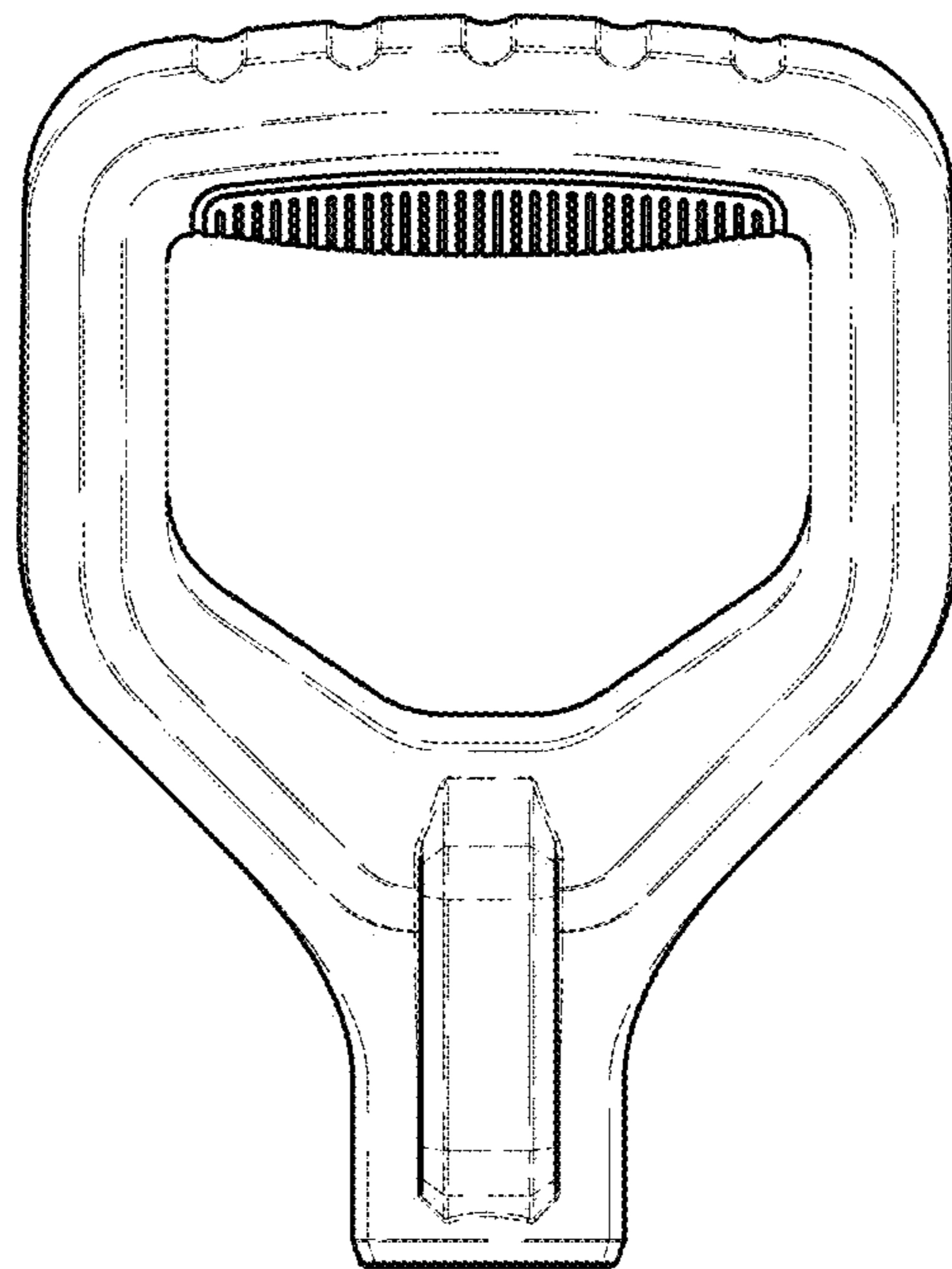


FIG. 2

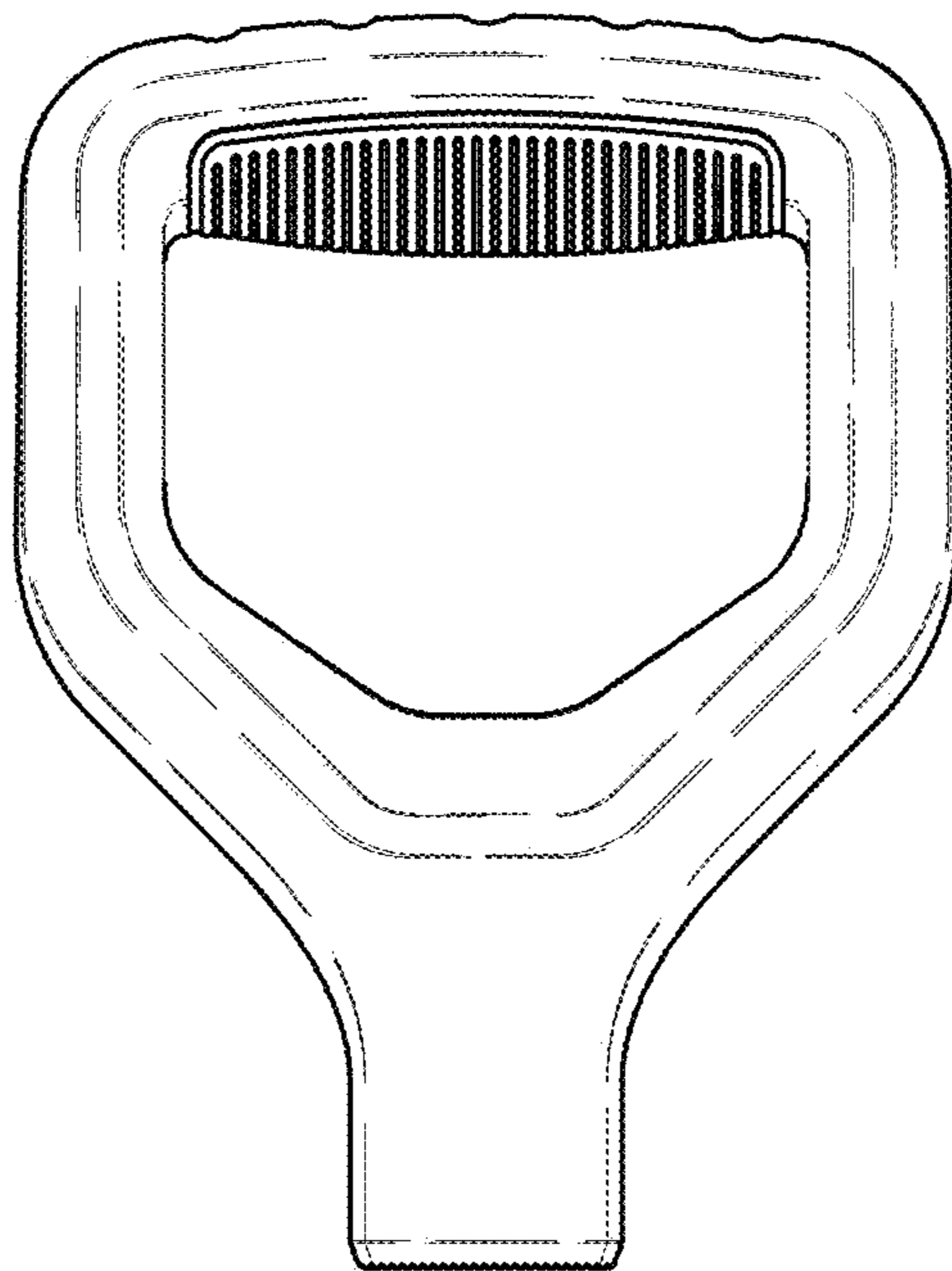


FIG. 3

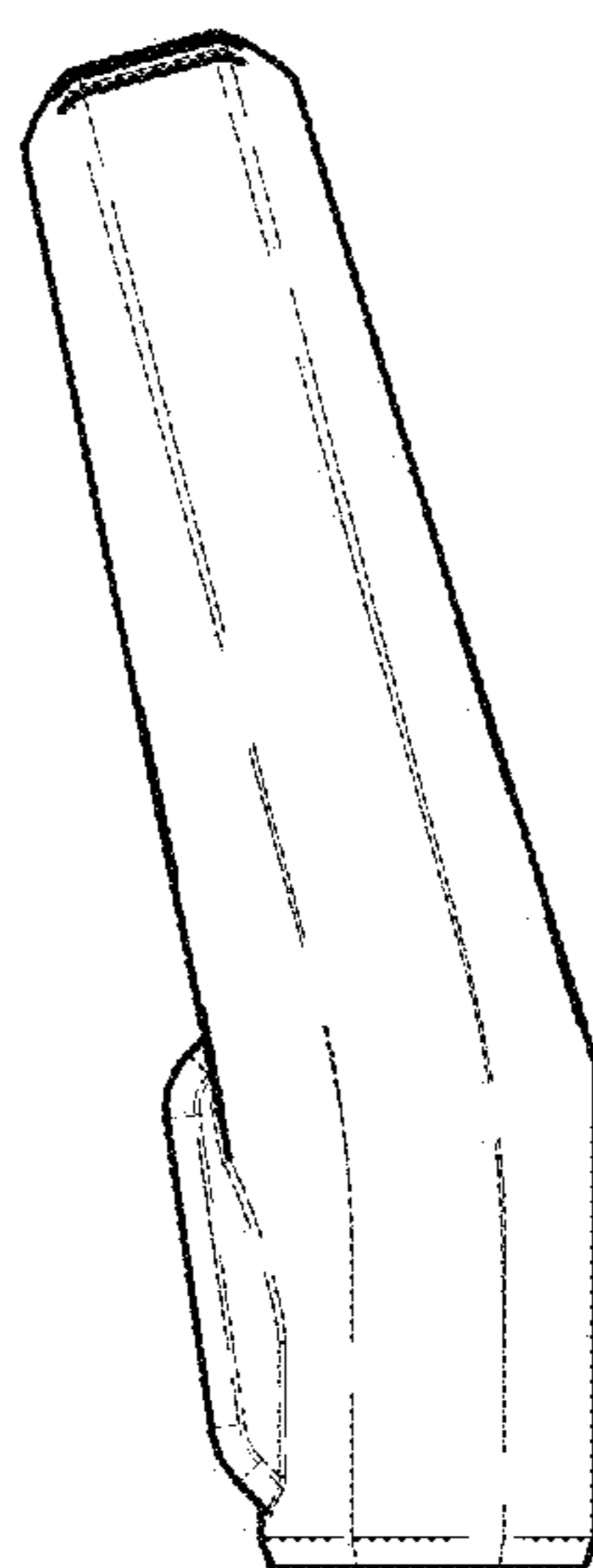


FIG. 4

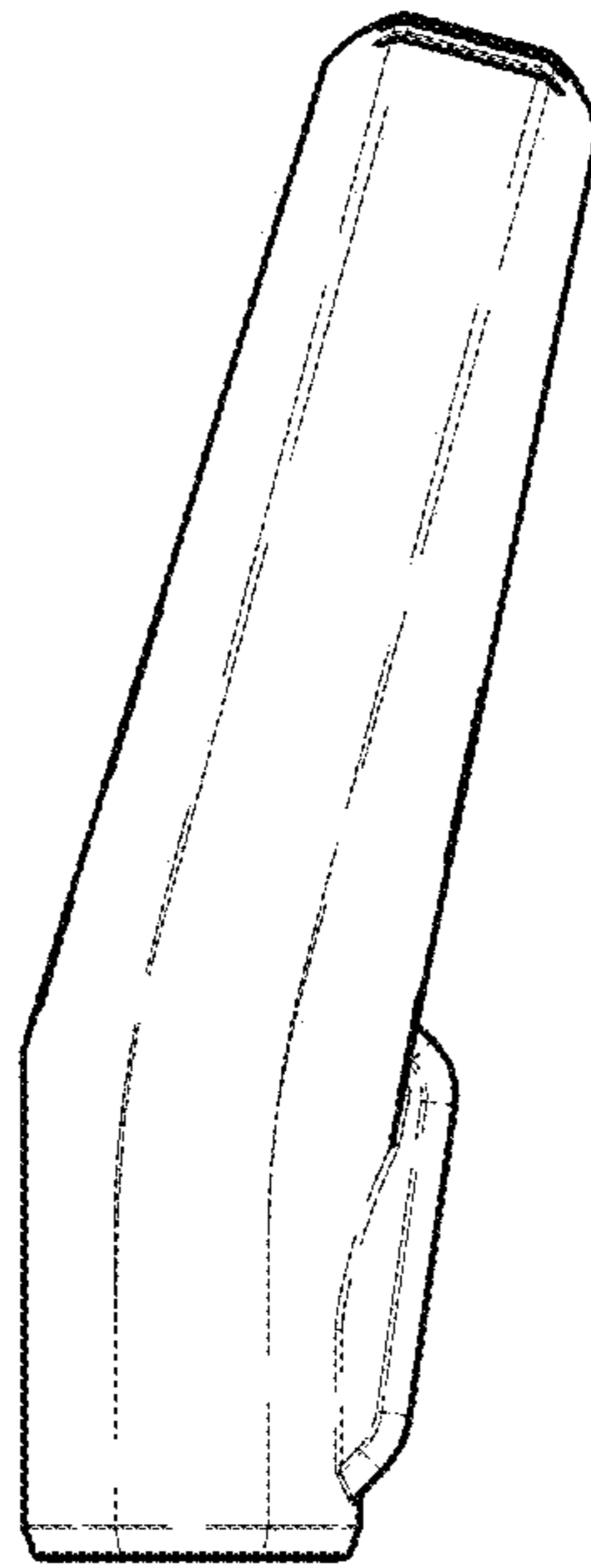


FIG. 5

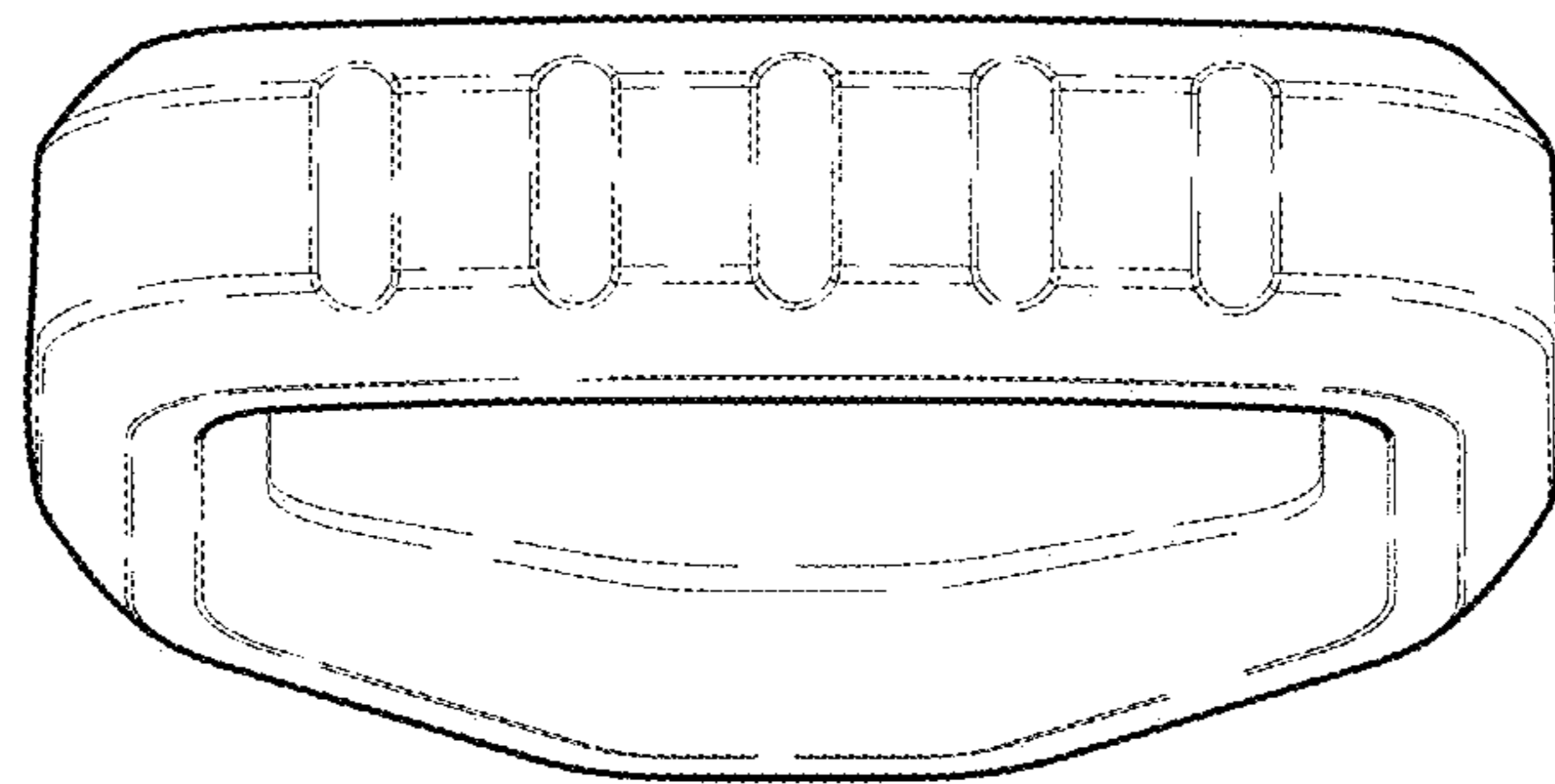


FIG. 6

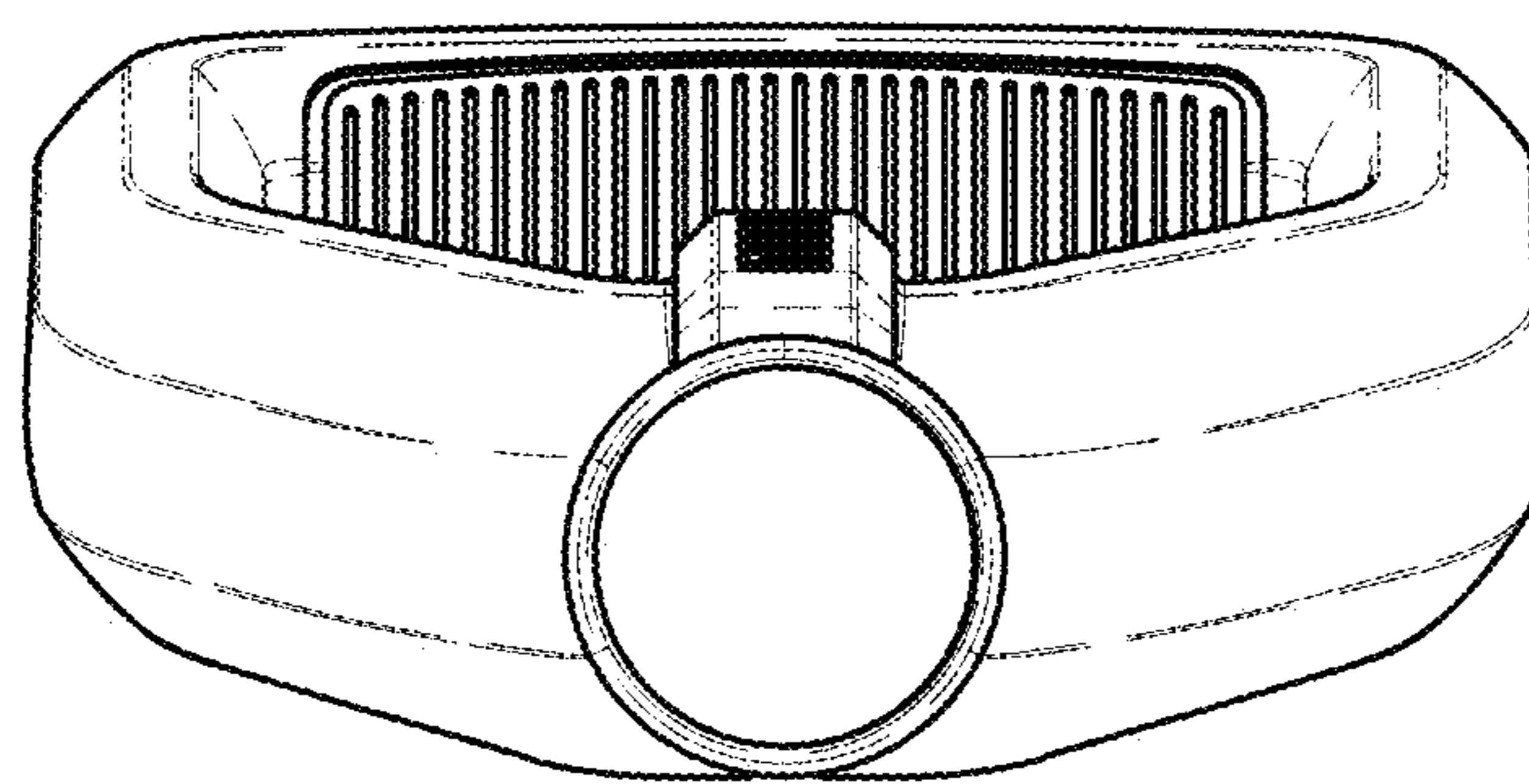


FIG. 7