



US00D987401S

(12) **United States Design Patent** (10) **Patent No.:** **US D987,401 S**
Lee, Jr. et al. (45) **Date of Patent:** **** May 30, 2023**

(54) **LEVER FOR HAND TOOL**
(71) Applicant: **VIS, LLC**, Greer, SC (US)
(72) Inventors: **Billy R. Lee, Jr.**, Taylors, SC (US);
Patrick S. Livingston, Campobello, SC (US)
(73) Assignee: **VIS, LLC**, Greer, SC (US)
(**) Term: **15 Years**
(21) Appl. No.: **29/768,429**
(22) Filed: **Jan. 29, 2021**
(51) **LOC (14) Cl.** **08-05**
(52) **U.S. Cl.**
USPC **D8/61**
(58) **Field of Classification Search**
USPC D8/61, 62, 68, 69, 70, 107, 300
CPC . B21J 15/043; B21J 15/22; B21J 15/36; B21J
15/326; B25B 21/00; F01D 15/06
See application file for complete search history.

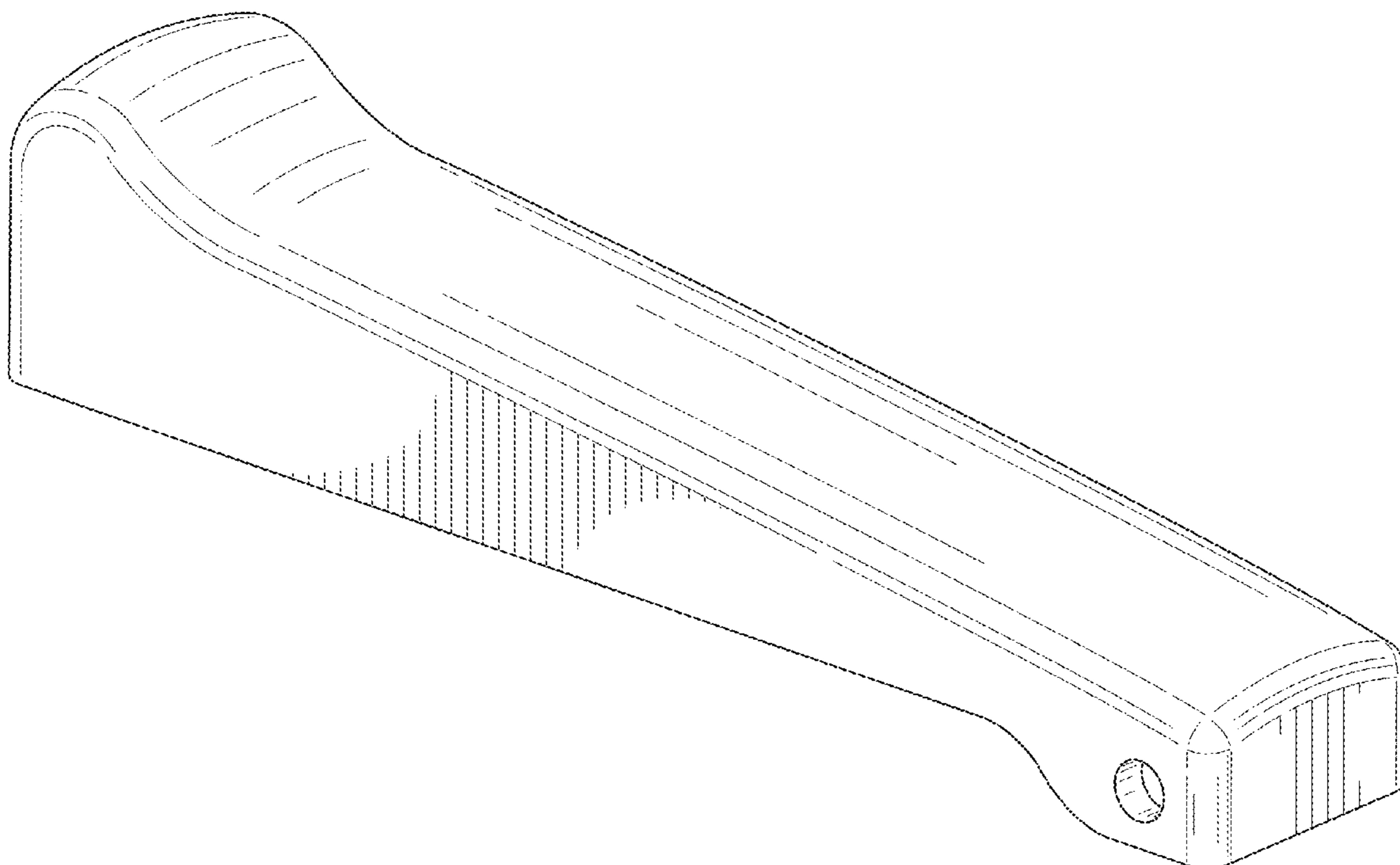
(56) **References Cited**
U.S. PATENT DOCUMENTS
D414,093 S * 9/1999 Zurwelle D8/61
D452,128 S * 12/2001 Delfino D8/107
D487,216 S * 3/2004 Arvidsson D8/8
D569,206 S * 5/2008 Takahagi D8/61
D580,247 S * 11/2008 Taniguchi D8/61
D650,652 S * 12/2011 Aglassinger D8/68
D689,754 S * 9/2013 Hayakawa D8/61
D690,569 S * 10/2013 Tinius D8/61
D692,287 S * 10/2013 Tinius D8/61
D887,239 S * 6/2020 Nyström D8/61

D931,700 S * 9/2021 Pawar B25B 21/00
D8/61
2020/0306938 A1* 10/2020 Sergyeyenko B25B 21/00
2021/0205966 A1* 7/2021 Ho B25B 23/0028
* cited by examiner
Primary Examiner — Philip S Hyder
(74) *Attorney, Agent, or Firm* — Thrive IP
(57) **CLAIM**
The ornamental design for a lever for hand tool, as shown and described.

DESCRIPTION

FIG. 1 is a perspective view of a lever for hand tool embodying the present invention;
FIG. 2 is a left side view of the lever for hand tool as shown in FIG. 1;
FIG. 3 is a right side view of the lever for hand tool as shown in FIG. 1;
FIG. 4 is a bottom side view of the lever for hand tool as shown in FIG. 1;
FIG. 5 is a top view of the lever for hand tool as shown in FIG. 1;
FIG. 6 is a rear view of the lever for hand tool as shown in FIG. 1;
FIG. 7 is a front view of the lever for hand tool as shown in FIG. 1; and,
FIG. 8 is a right side perspective view of the lever for hand tool with environmental details of a hand tool shown in broken lines.
The broken lines shown in FIG. 8 are for illustrating portions of the lever for hand tool that form no part of the claimed design.

1 Claim, 5 Drawing Sheets



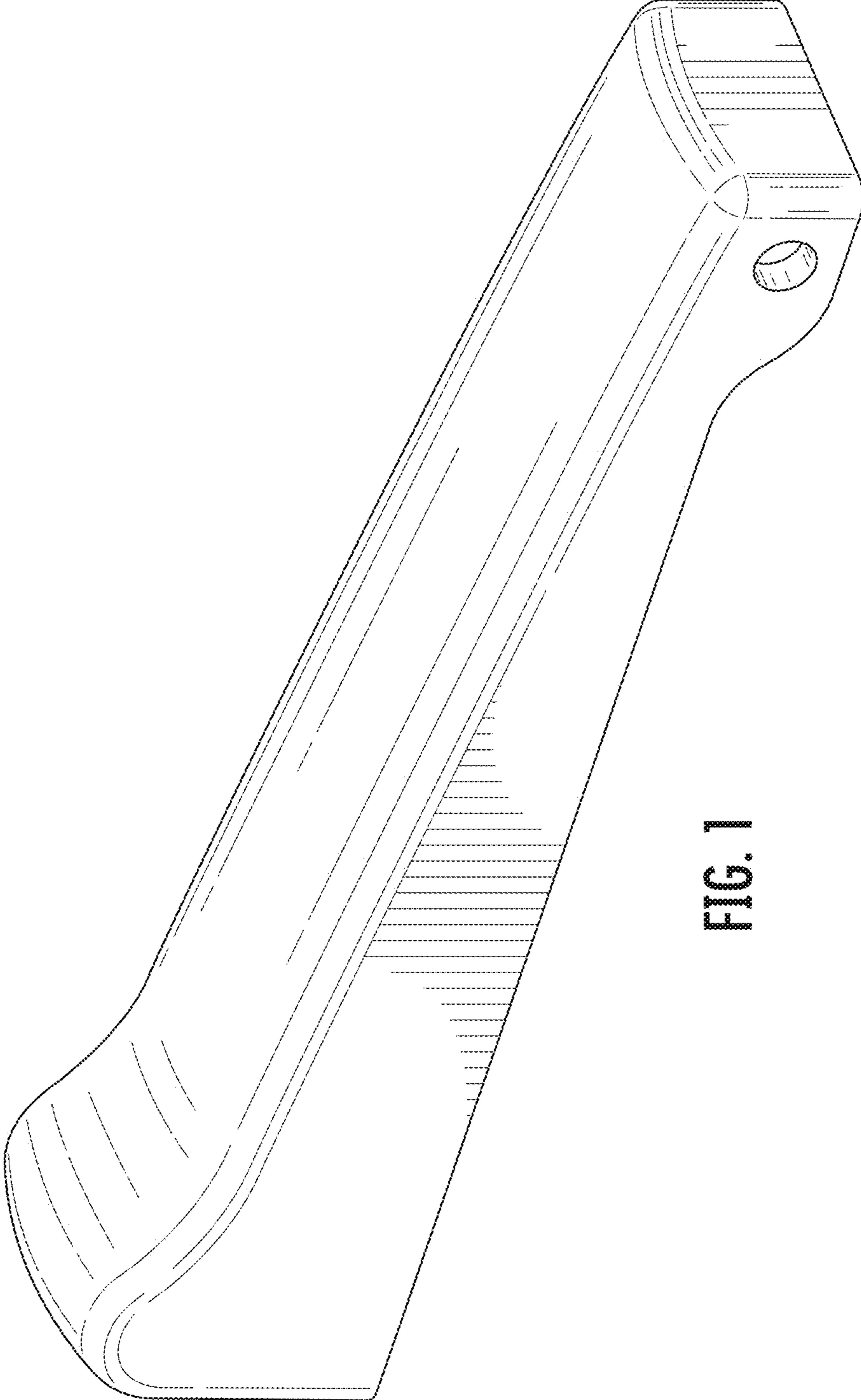


FIG. 1

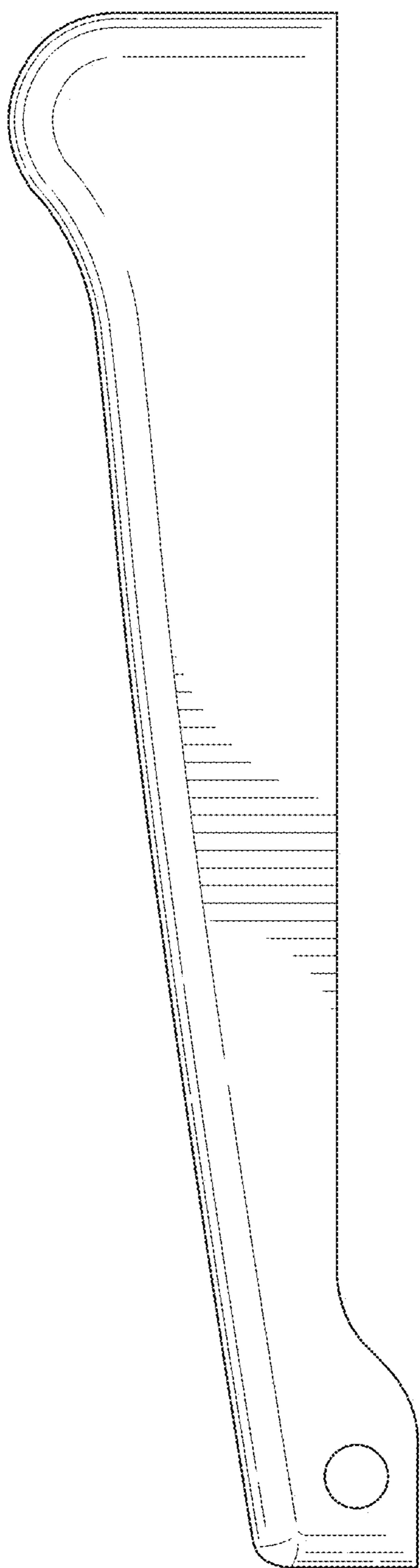


FIG. 2

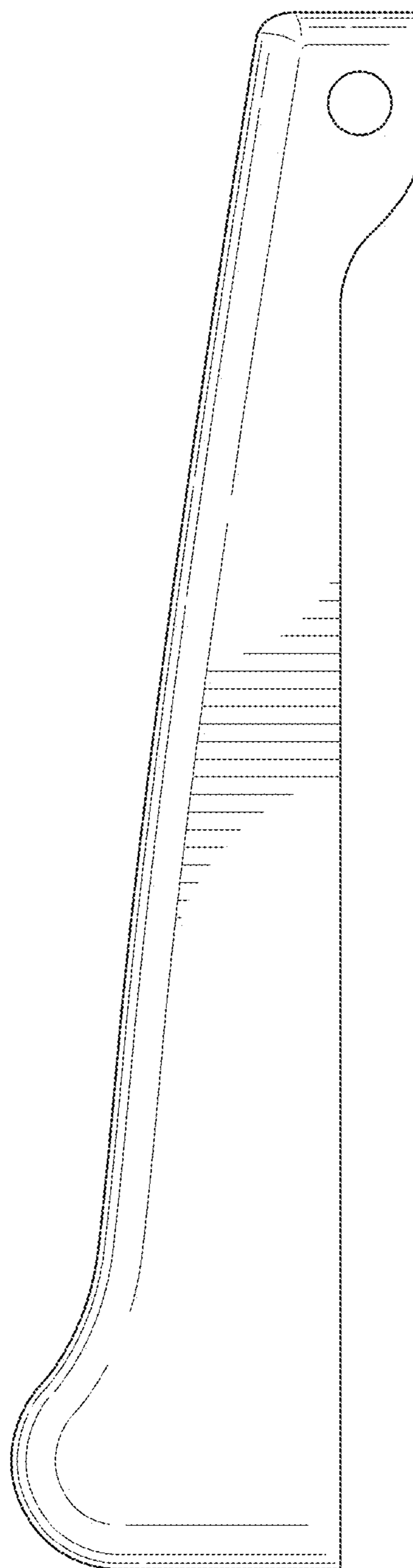


FIG. 3

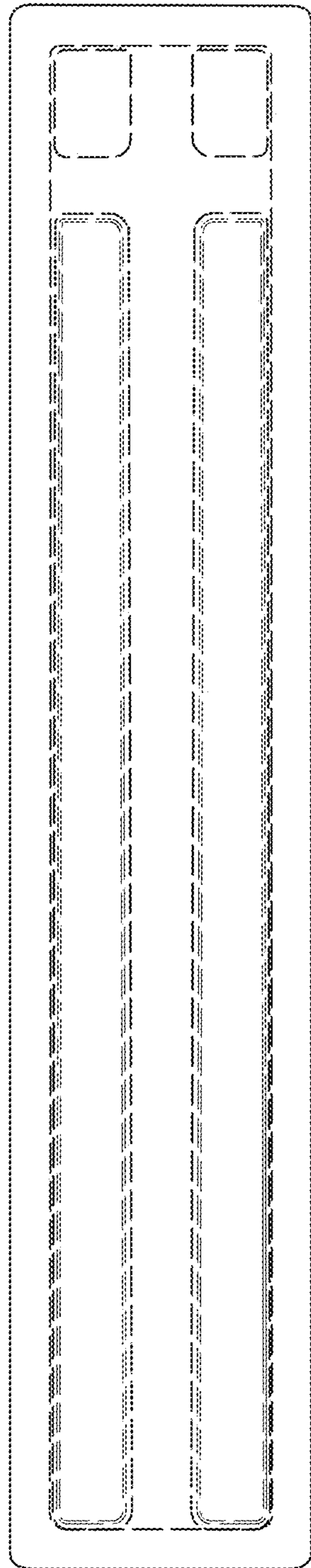


FIG. 4

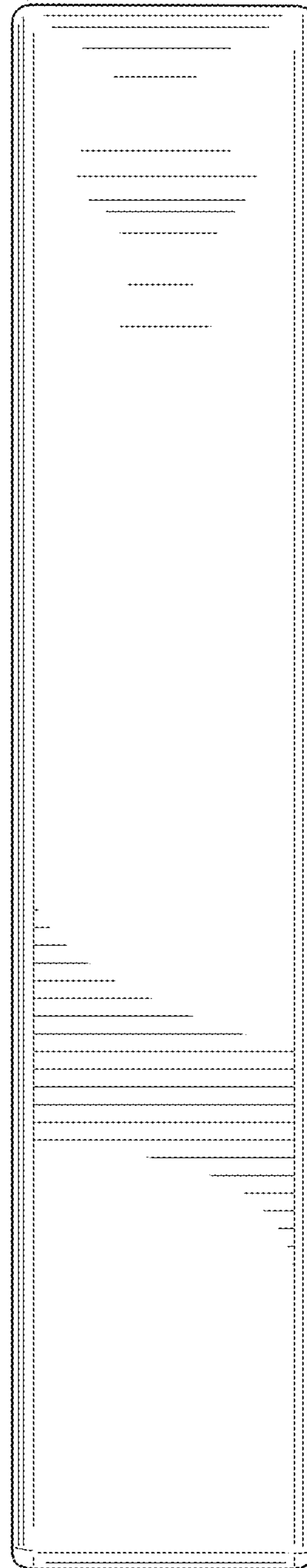


FIG. 5

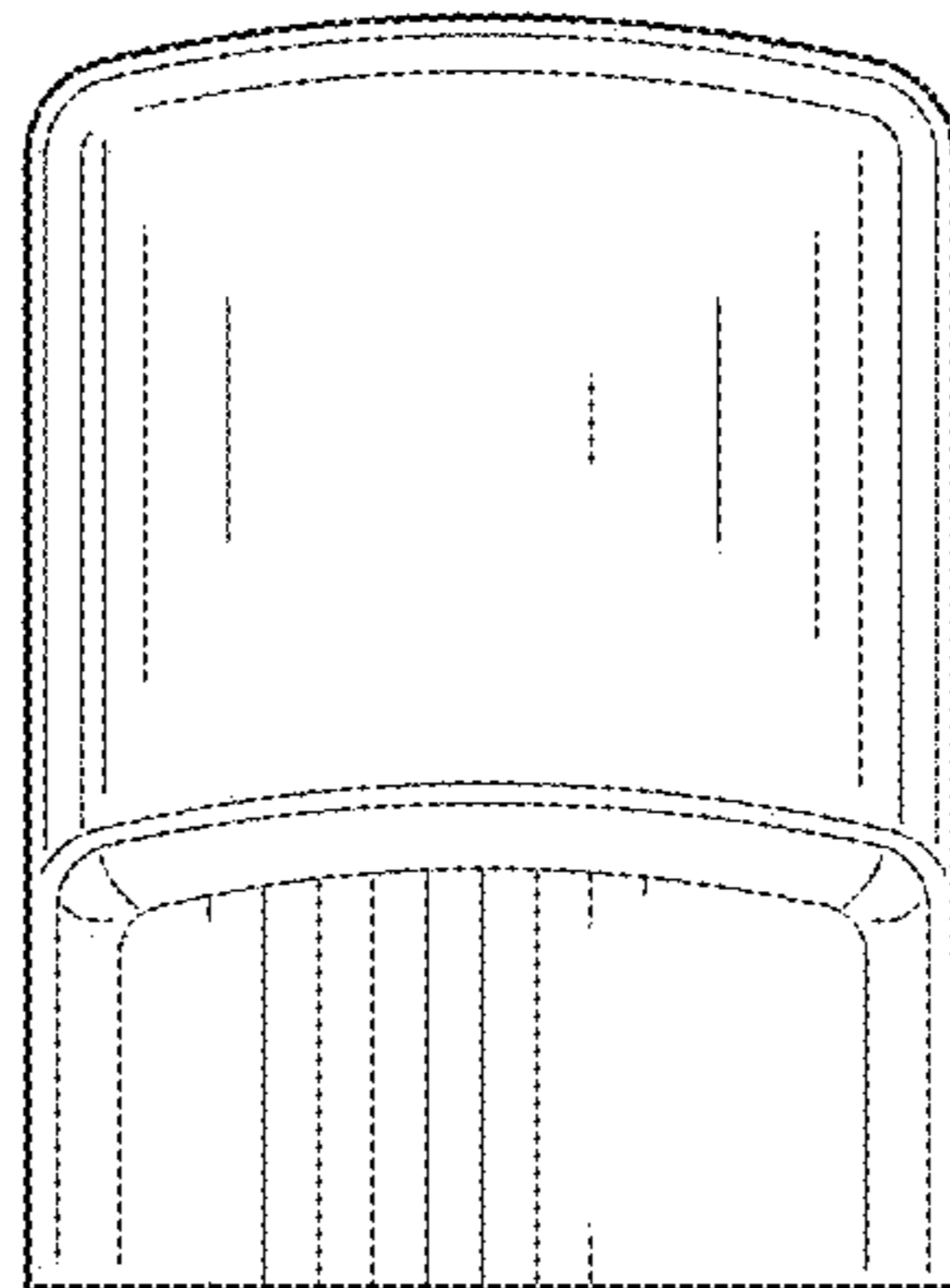


FIG. 6

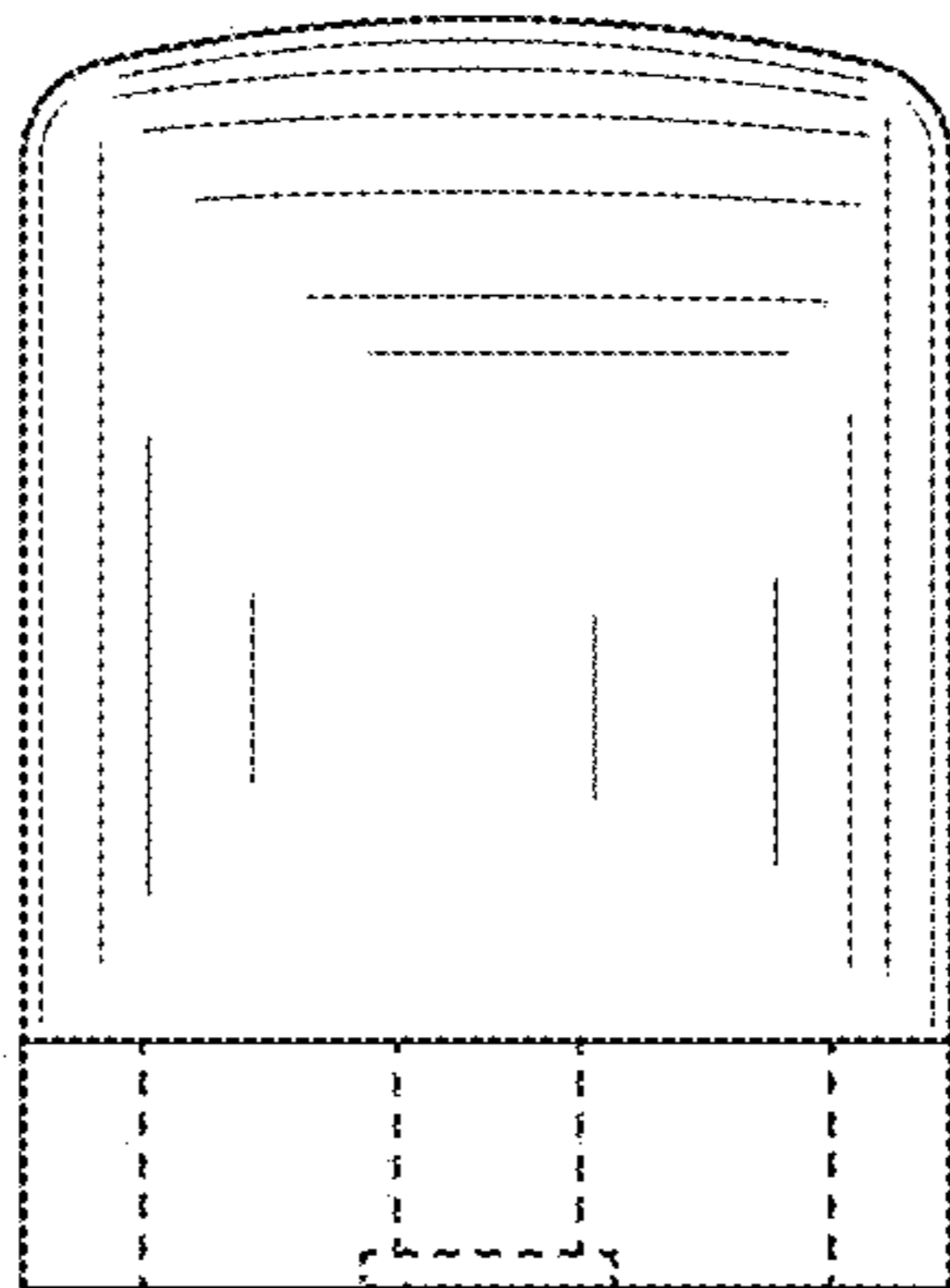


FIG. 7

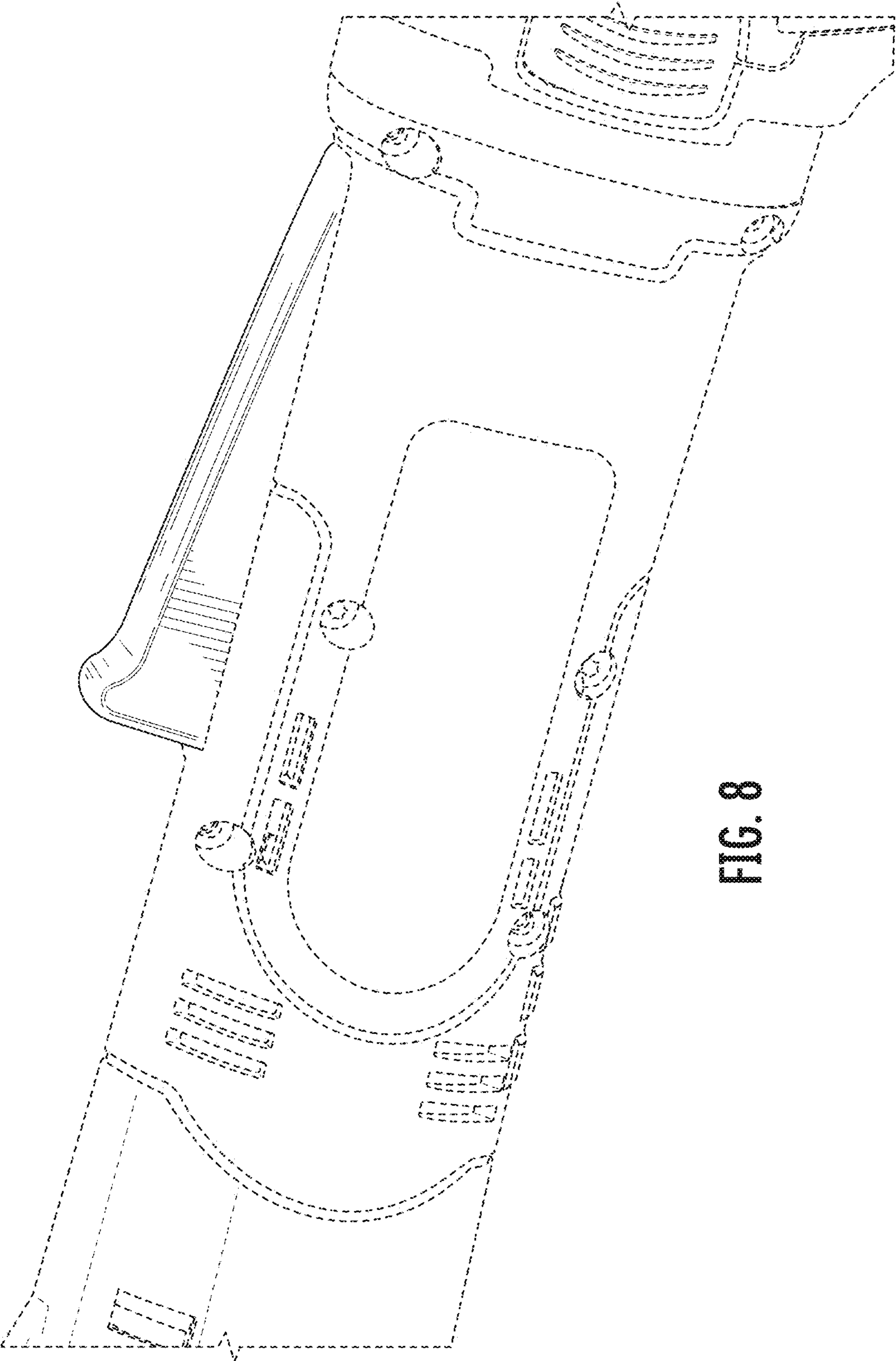


FIG. 8