



US00D987400S

(12) **United States Design Patent** (10) **Patent No.:** **US D987,400 S**
Ytterborn et al. (45) **Date of Patent:** **** May 30, 2023**

(54) **CLAMP**

(71) Applicant: **Cake 0 emission AB**, Stockholm (SE)

(72) Inventors: **Stefan Ytterborn**, Stockholm (SE);
David Gonzalez, Stockholm (SE);
Oskar Milke, Stockholm (SE); **Marcus Carlsson**, Stockholm (SE)

(73) Assignee: **CAKE 0 EMISSION AB**, Stockholm (SE)

(**) Term: **15 Years**

(21) Appl. No.: **29/857,097**

(22) Filed: **Oct. 19, 2022**

Related U.S. Application Data

(62) Division of application No. 29/828,369, filed on Feb. 25, 2022, now Pat. No. Des. 971,791, which is a division of application No. 29/779,899, filed on Apr. 21, 2021, now Pat. No. Des. 948,382, which is a division of application No. 29/711,881, filed on Nov. 4, 2019, now Pat. No. Des. 920,852.

(30) **Foreign Application Priority Data**

May 6, 2019 (EM) 006428256

(51) **LOC (14) Cl.** **08-05**

(52) **U.S. Cl.**
USPC **D8/72**

(58) **Field of Classification Search**
USPC D8/72, 73, 355, 382
CPC F16M 13/022; F16M 11/16; F16M 11/104;
A61G 13/101; A47B 96/06; F16B 2/10;
F16B 45/00; A47G 25/483

See application file for complete search history.

(56) **References Cited**

U.S. PATENT DOCUMENTS

5,286,211	A *	2/1994	McIntosh	H01R 11/15 269/87.3
D429,984	S *	8/2000	Cummings	D8/72
D599,184	S *	9/2009	Johnson	D8/72
D679,573	S *	4/2013	Lee	D8/72
D911,158	S *	2/2021	Jenkins	D8/382
D911,160	S *	2/2021	DeArmond	D8/394
D920,852	S *	6/2021	Ytterborn	D12/110
D948,382	S *	4/2022	Ytterborn	D12/110
D954,521	S *	6/2022	Jenney	D8/72
D970,326	S *	11/2022	Wu	D8/72
D971,791	S *	12/2022	Ytterborn	D12/110

(Continued)

OTHER PUBLICATIONS

“The high-performance utility machine Osa Flex” Cake., posted date Jun. 22, 2022 [online], [retrieved on Jan. 25, 2023]. Retrieved from the Internet <URL:https://ridecake.com/en-US/p/osa-flex-us> (Year: 2022).*

(Continued)

Primary Examiner — Darlington Ly
Assistant Examiner — Nasim Abdulaziz Ali
(74) *Attorney, Agent, or Firm* — Tucker Ellis LLP

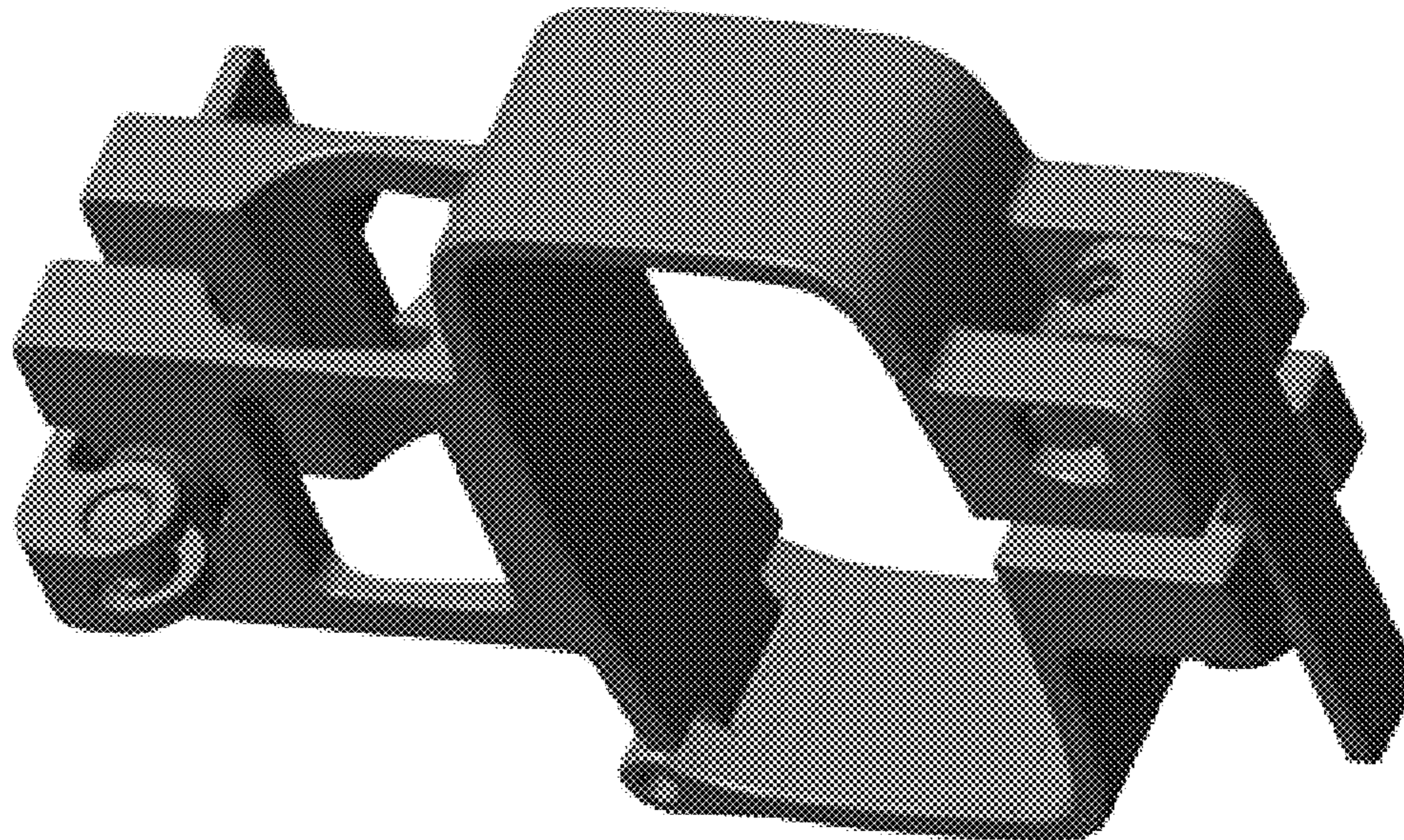
(57) **CLAIM**

The ornamental design for a clamp, as shown and described.

DESCRIPTION

FIG. 1 is a front, left side and top perspective view of a clamp embodying our new design;
FIG. 2 is a front elevation view thereof;
FIG. 3 is a rear elevation view thereof;
FIG. 4 is a bottom plan view thereof;
FIG. 5 is a top plan view thereof;
FIG. 6 is a right side elevation view thereof; and,
FIG. 7 is a left side elevation view thereof.

1 Claim, 3 Drawing Sheets



(56)

References Cited

U.S. PATENT DOCUMENTS

2010/0207385 A1* 8/2010 Nishimura F16B 2/10
285/364
2016/0281920 A1* 9/2016 Perez F16M 13/022

OTHER PUBLICATIONS

“Teyssor Bicycle Seatpost Clamp” Teyssor., posted date May 9, 2022 [online], [retrieved on Jan. 25, 2023]. Retrieved from the Internet <URL: https://www.amazon.com/Teyssor-Bicycle-Seatpost-Aluminium-Release/dp/B09ZV5BMZ4/ref=zg_bs_3494301_scc1_8/147-1862220-7797910?th=1> (Year: 2022).*

“Deity Circuit Clamp” Deity ., posted date Apr. 5, 2022 [online], [retrieved on Jan. 25, 2023]. Retrieved from the Internet <URL: <https://www.performancebike.com/deity-circuit-seatpost-clamp-bronze-31.8mm-26-crt31-bz/p1409853>> (Year: 2022).*

* cited by examiner

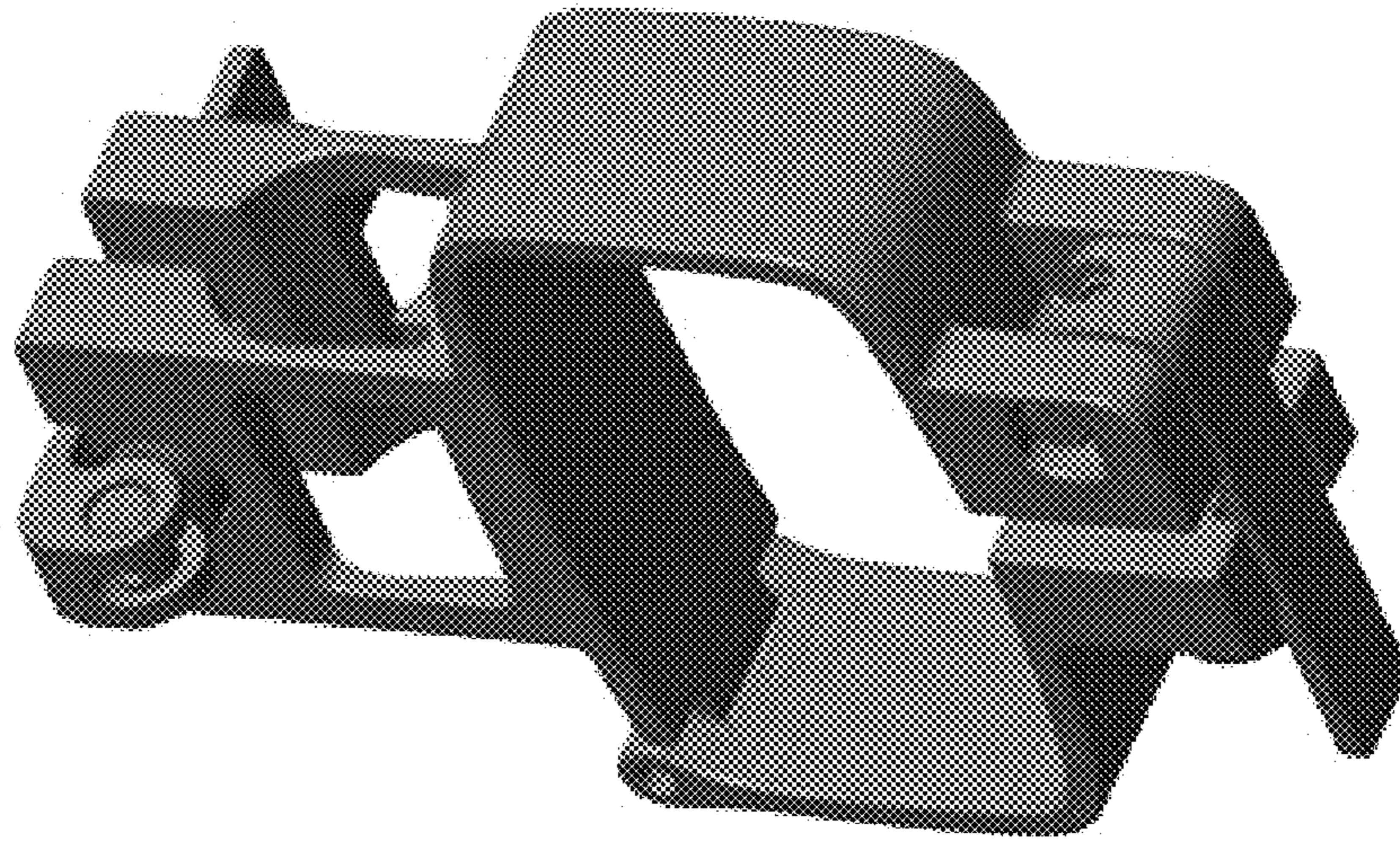


FIG. 1

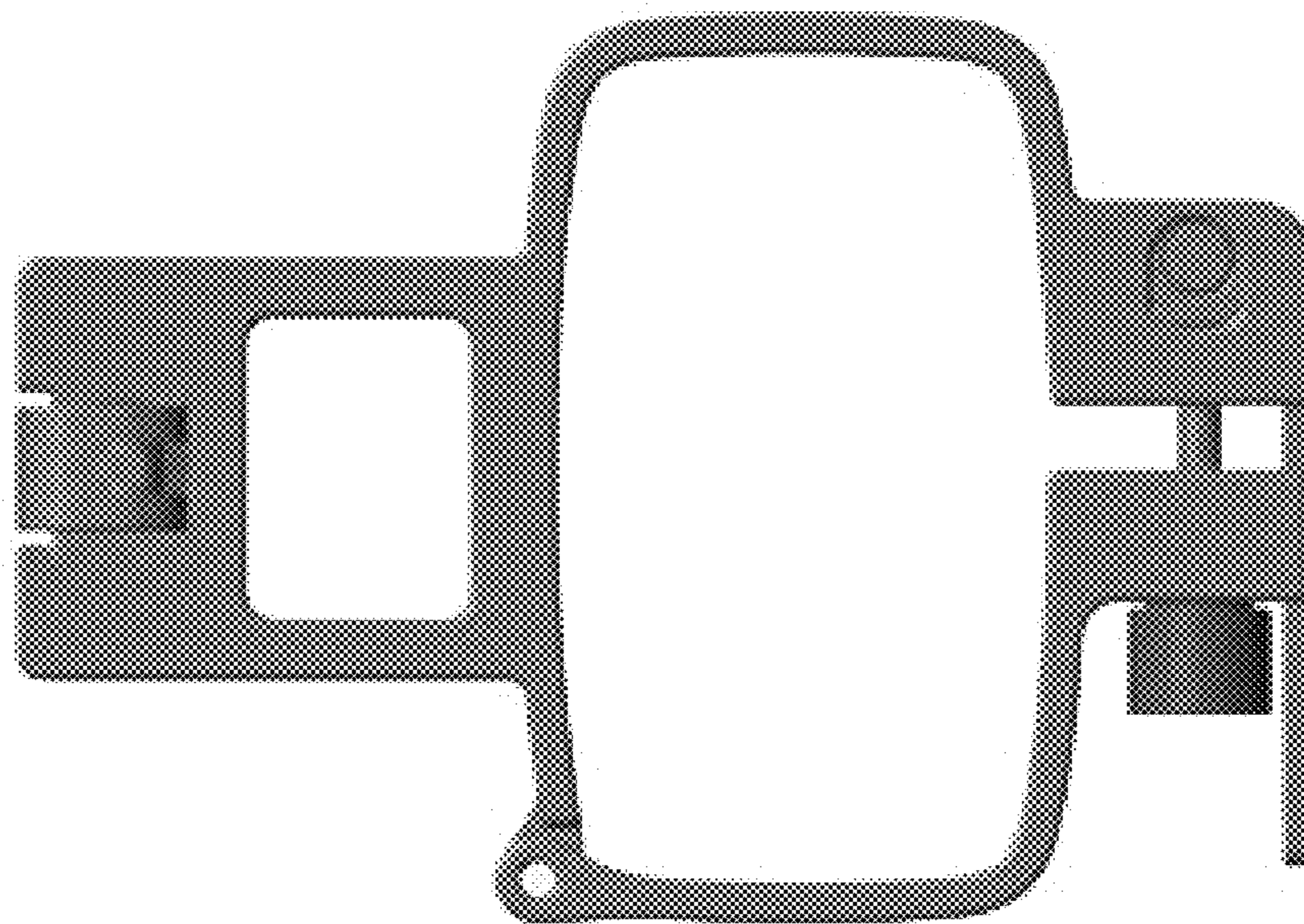


FIG. 2

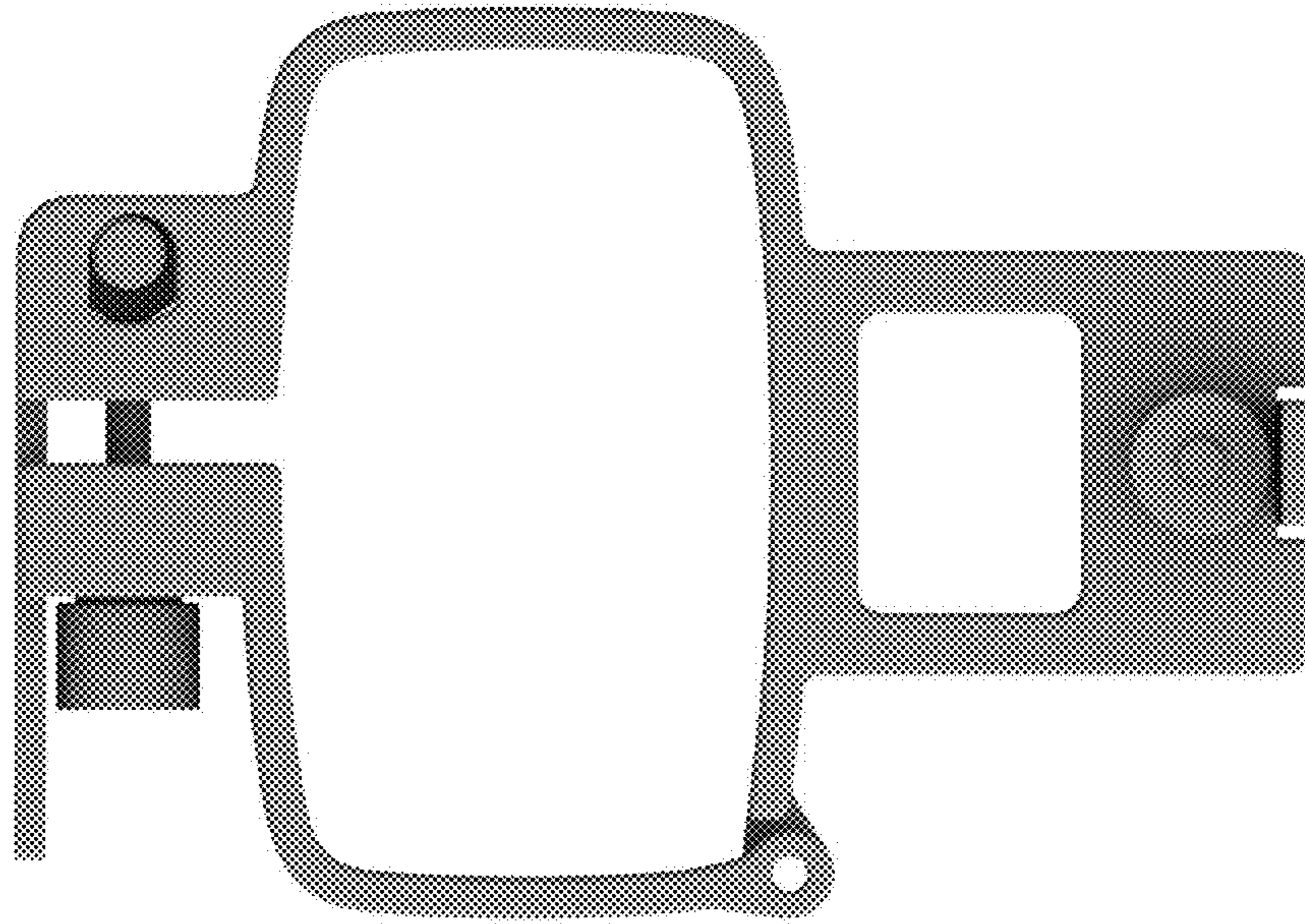


FIG. 3

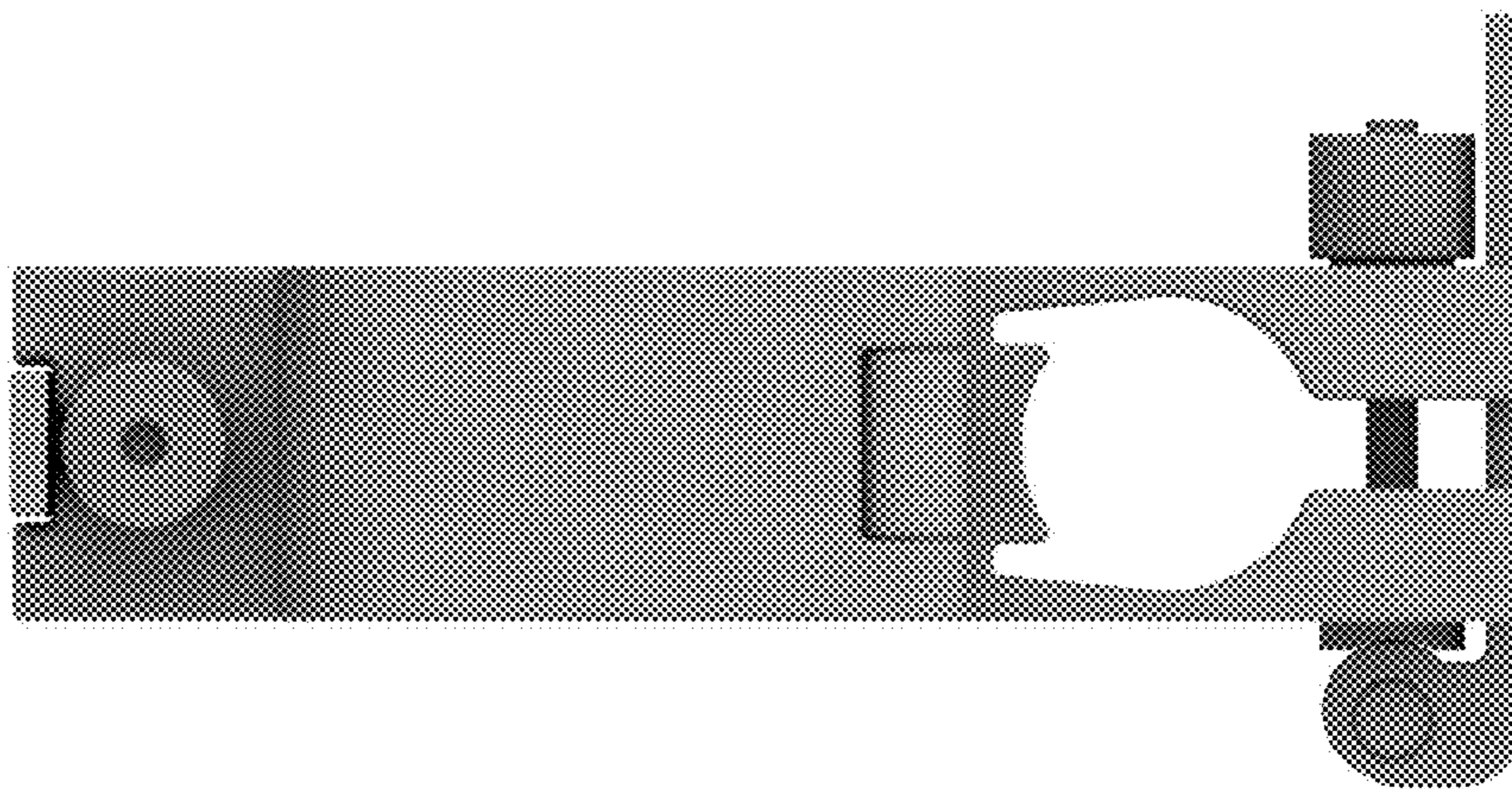


FIG. 4

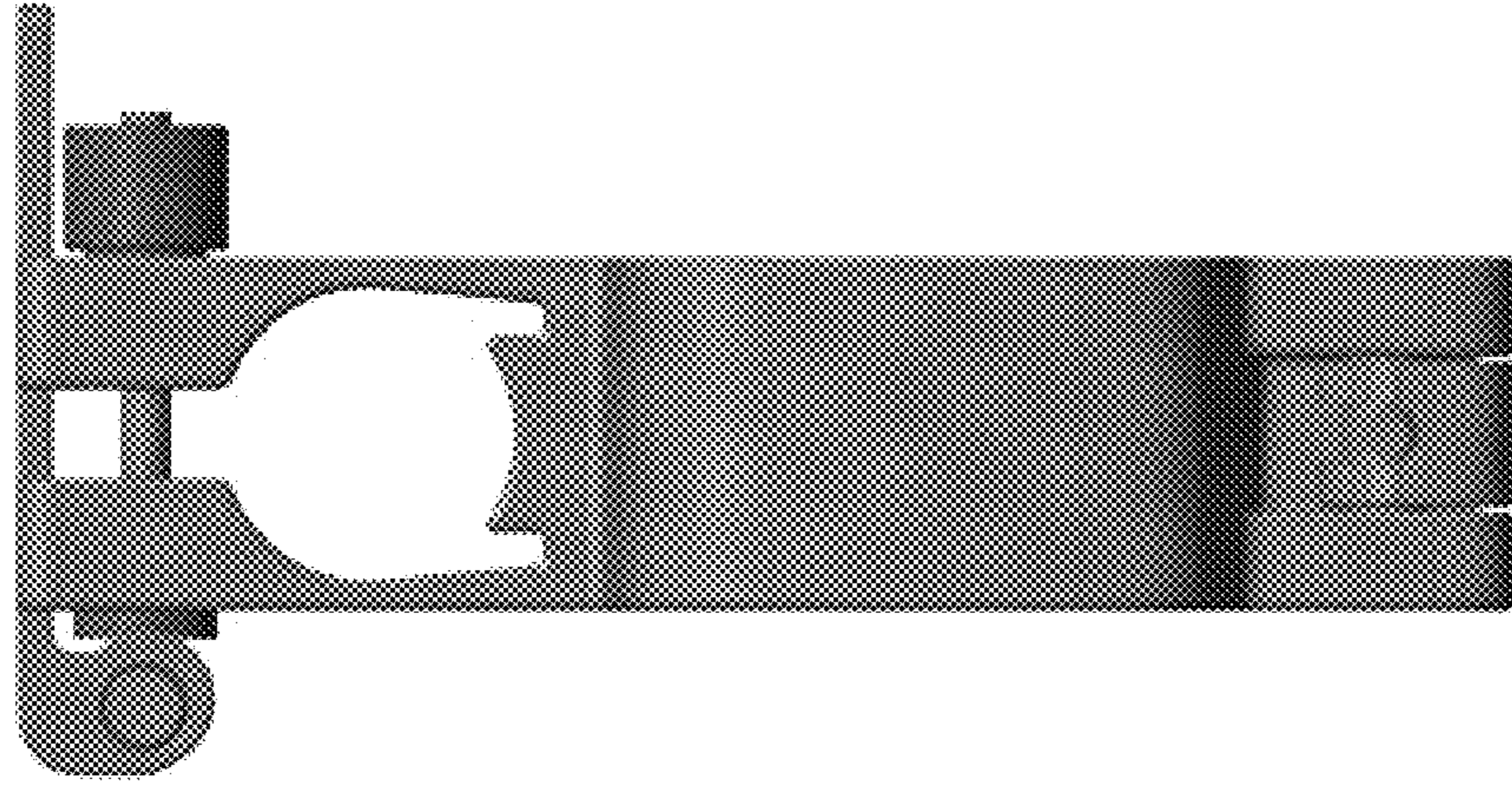


FIG. 5

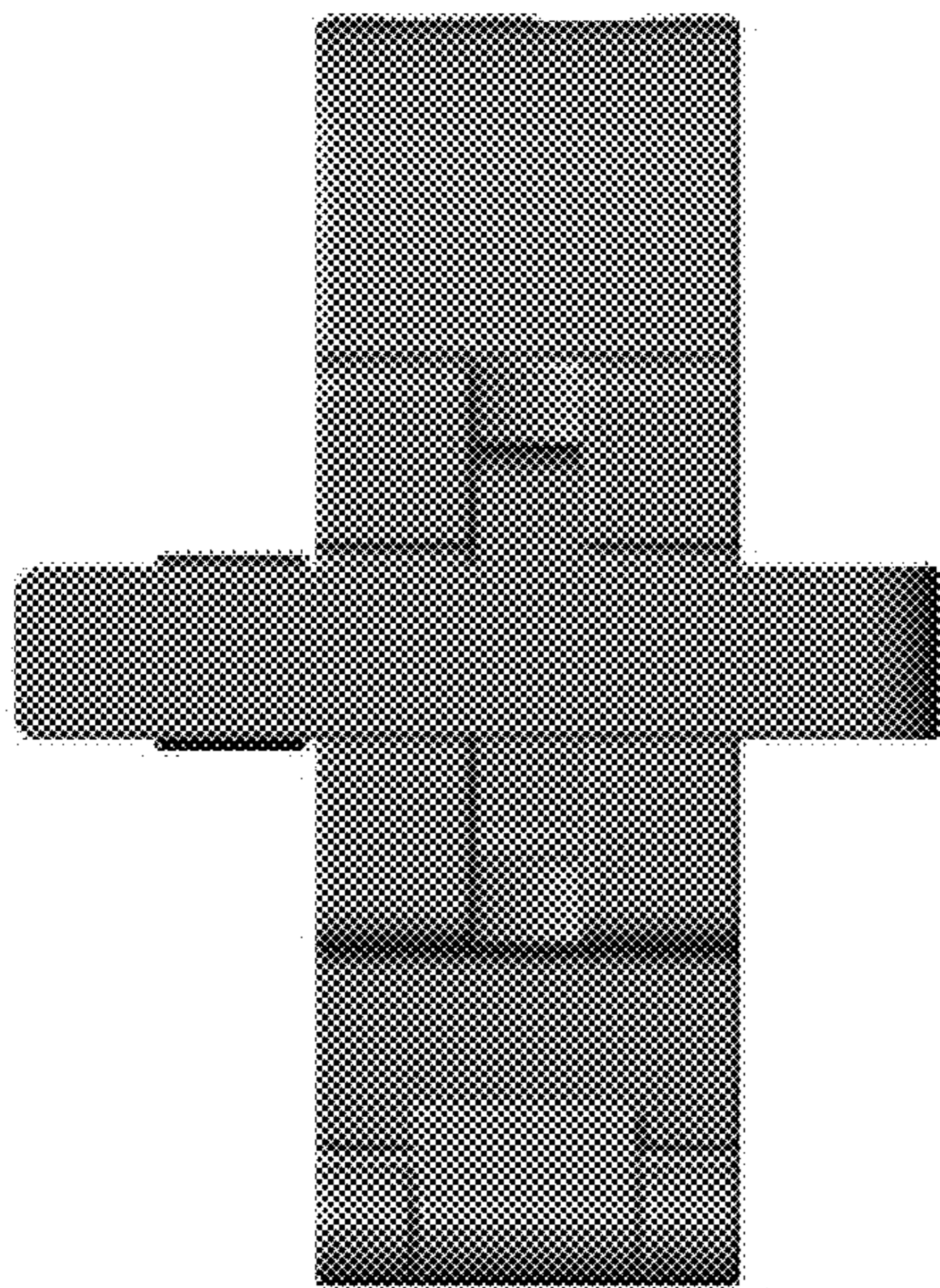


FIG. 6

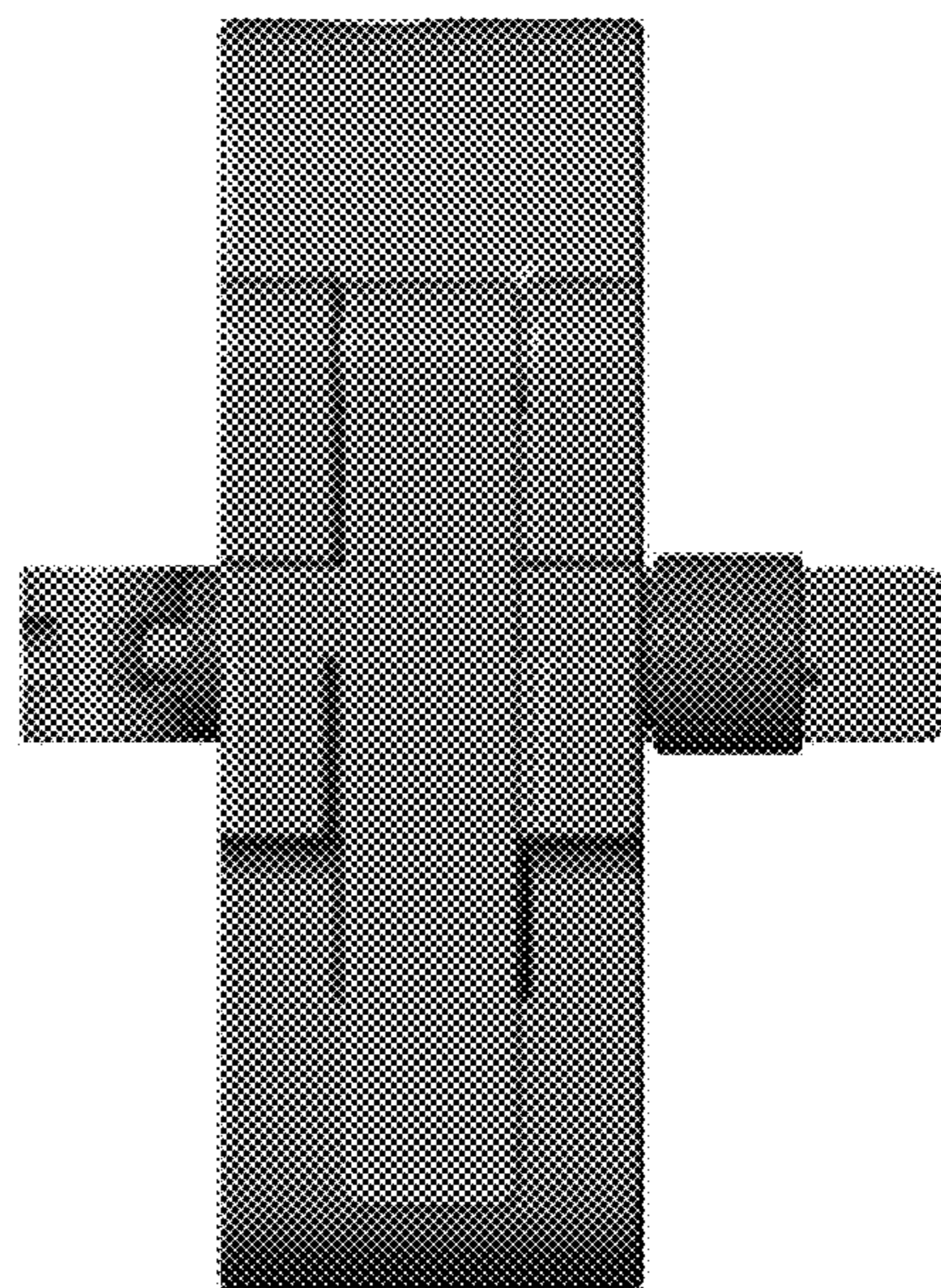


FIG. 7