



US00D987399S

(12) **United States Design Patent** (10) **Patent No.:** **US D987,399 S**
Vittori (45) **Date of Patent:** **** May 30, 2023**

(54) **RIVETING HAMMER**
(71) Applicant: **OBER S.P.A.**, Granarolo dell'Emilia (IT)
(72) Inventor: **Paolo Vittori**, Bologna (IT)
(73) Assignee: **OBER S.P.A.**, Bologna (IT)
(**) Term: **15 Years**
(21) Appl. No.: **35/513,787**
(22) Filed: **Feb. 2, 2022**

D911,801 S * 3/2021 Thompson D8/68
D929,837 S * 9/2021 Rivera D8/68
D936,442 S * 11/2021 Nakamura D8/68
D942,830 S * 2/2022 Du D8/68
D947,636 S * 4/2022 Puzzitiello D8/68
D955,840 S * 6/2022 Bitsch D8/68
D956,501 S * 7/2022 Puzzitiello D8/68
D957,907 S * 7/2022 Zhang D8/68
D962,031 S * 8/2022 Kosugi D8/68
D964,135 S * 9/2022 Mori D8/68
D964,136 S * 9/2022 Hsueh D8/68
D974,870 S * 1/2023 Dabbeekkeh D8/68
2021/0379646 A1 * 12/2021 Killen B21J 15/043
2021/0394254 A1 * 12/2021 Yabunaka B21J 15/022

(Continued)

(80) **Hague Agreement Data**

Int. Filing Date: **Feb. 2, 2022**
Int. Reg. No.: **DM/219313**
Int. Reg. Date: **Feb. 2, 2022**
Int. Reg. Pub. Date: **Mar. 11, 2022**

(30) **Foreign Application Priority Data**

Aug. 5, 2021 (EM) 008643613

(51) **LOC (14) Cl.** **08-05**

(52) **U.S. Cl.**
USPC **D8/68**

(58) **Field of Classification Search**
USPC D8/61, 67, 68
CPC B25B 27/0014; B25B 47/284; B21J 15/26;
B21J 15/048
See application file for complete search history.

(56) **References Cited**

U.S. PATENT DOCUMENTS

2,372,398 A * 3/1945 Shoffner B23B 47/284
408/112
D869,927 S * 12/2019 Waldron D8/68
D871,183 S * 12/2019 Imsand B25B 21/00
D8/68
D897,176 S * 9/2020 Tschopp D8/68
D906,076 S * 12/2020 James D8/68

OTHER PUBLICATIONS

“Riveting Hammers & Bits.” Hanson Rivet., Mar. 8, 2012 [online], [retrieved on Jan. 26, 2023]. Retrieved from the Internet <URL: <https://www.hansonrivet.com/wp-content/uploads/pdf/D76-RIVETING-HAMMERS-BITS.pdf>>.*

(Continued)

Primary Examiner — Darlington Ly
(74) *Attorney, Agent, or Firm* — Thomas | Horstemeyer, LLP

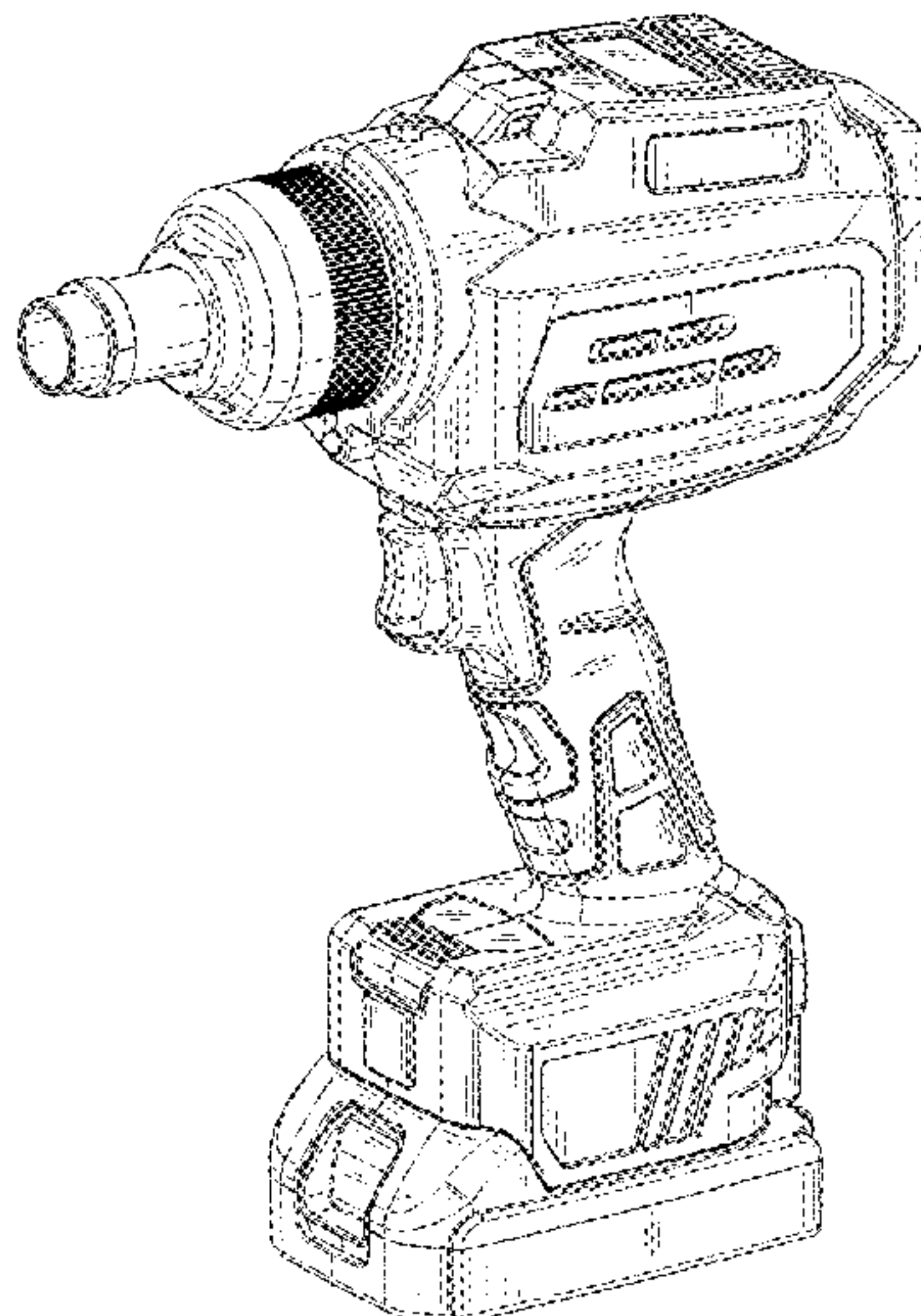
(57) **CLAIM**

The ornamental design for a riveting hammer, as shown and described.

DESCRIPTION

1. Riveting hammer
1.1 is a front and left side perspective view of a riveting hammer embodying my new design;
1.2 is a front elevation view thereof;
1.3 is a rear elevation view thereof;
1.4 is a left side elevation view thereof;
1.5 is a right side elevation view thereof;
1.6 is a top plan view thereof;
1.7 is a bottom plan view thereof; and
1.8 is a front and right side perspective view thereof.

1 Claim, 8 Drawing Sheets



(56)

References Cited

U.S. PATENT DOCUMENTS

2022/0062972 A1* 3/2022 Hsu B21J 15/28
2022/0226881 A1* 7/2022 Ikuta B21J 15/28
2022/0372820 A1* 11/2022 Strange E21B 4/14
2023/0012107 A1* 1/2023 Kadlecek B21J 15/105

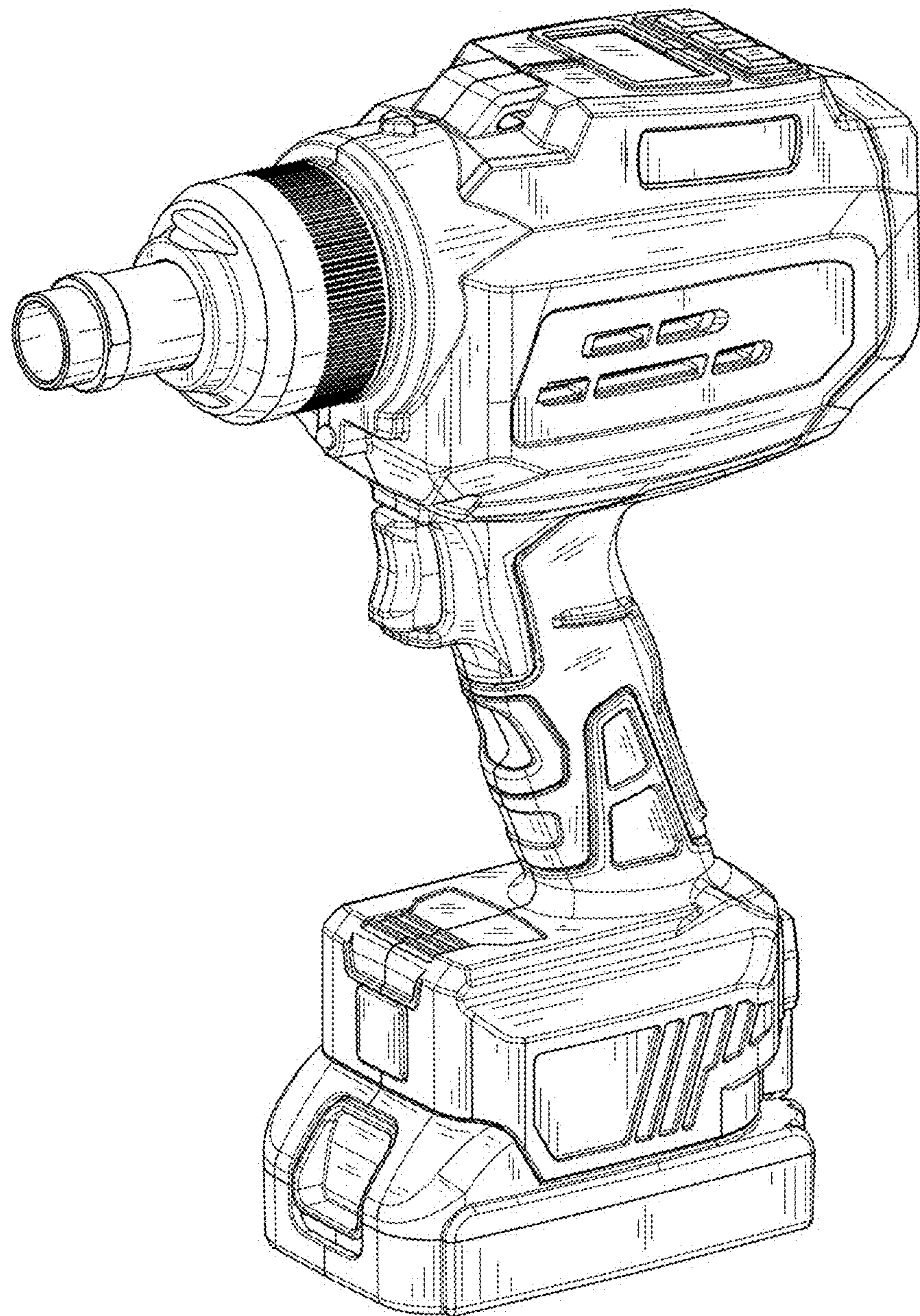
OTHER PUBLICATIONS

William Aguinaldo. "Best Cordless Rivet Gun in 2023 & Its Alternatives." The Spruce Tools., Nov. 23, 2022 [online], [retrieved on Jan. 26, 2023]. Retrieved from the Internet <URL: <https://thesprucetools.com/best-cordless-rivet-gun-reviews/>>.*

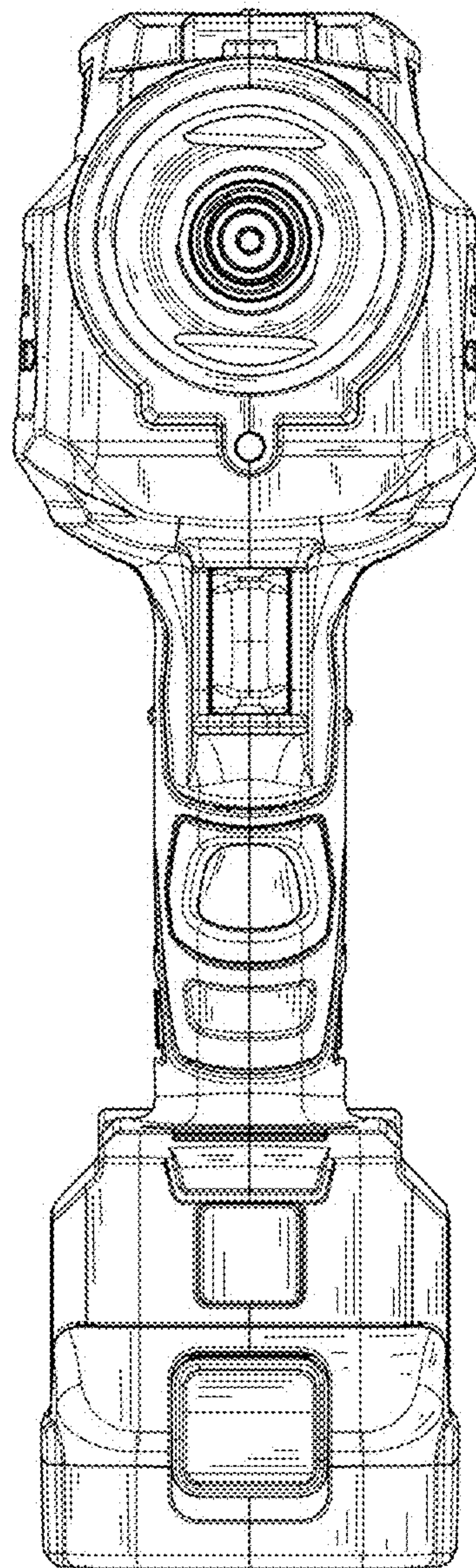
"Pneumatic Air Pistol Type Pop Riveter Rivet Gun w/1000pcs Pop Rivets Assortments." Econo Super Store., Apr. 6, 2017 [online], [retrieved on Jan. 26, 2023]. Retrieved from the Internet <URL: <https://econosuperstore.com/itm/pneumatic-air-pistol-type-pop-riveter-rivet-gun-w-1000pcs-pop-rivets-assortments/>>.*

* cited by examiner

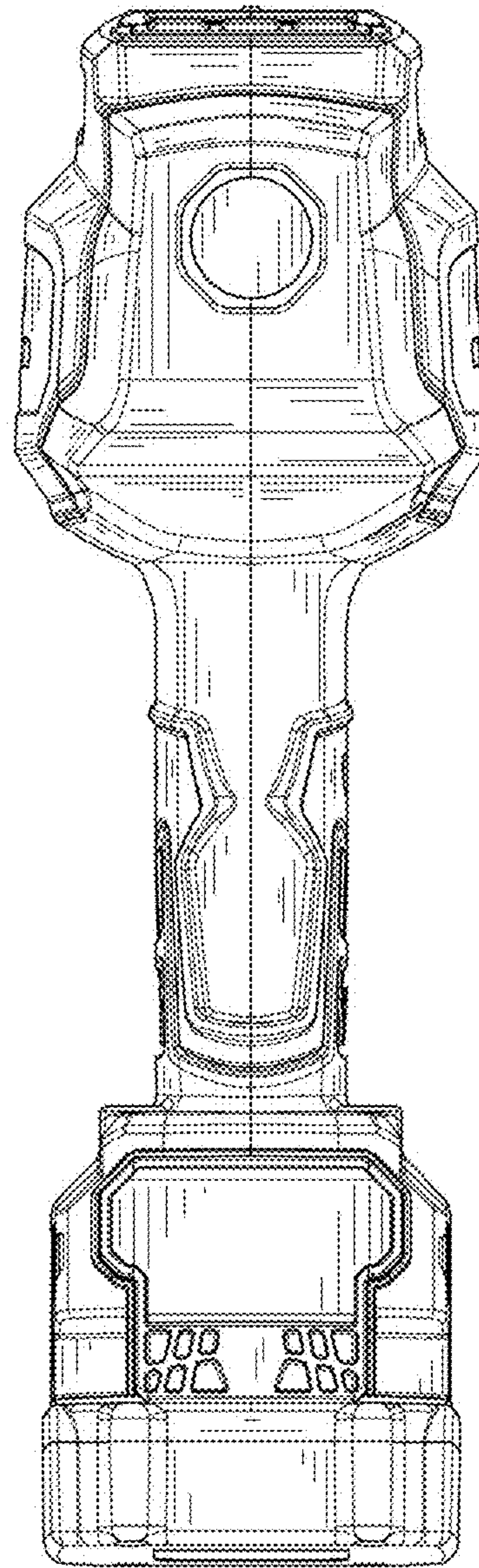
1.1



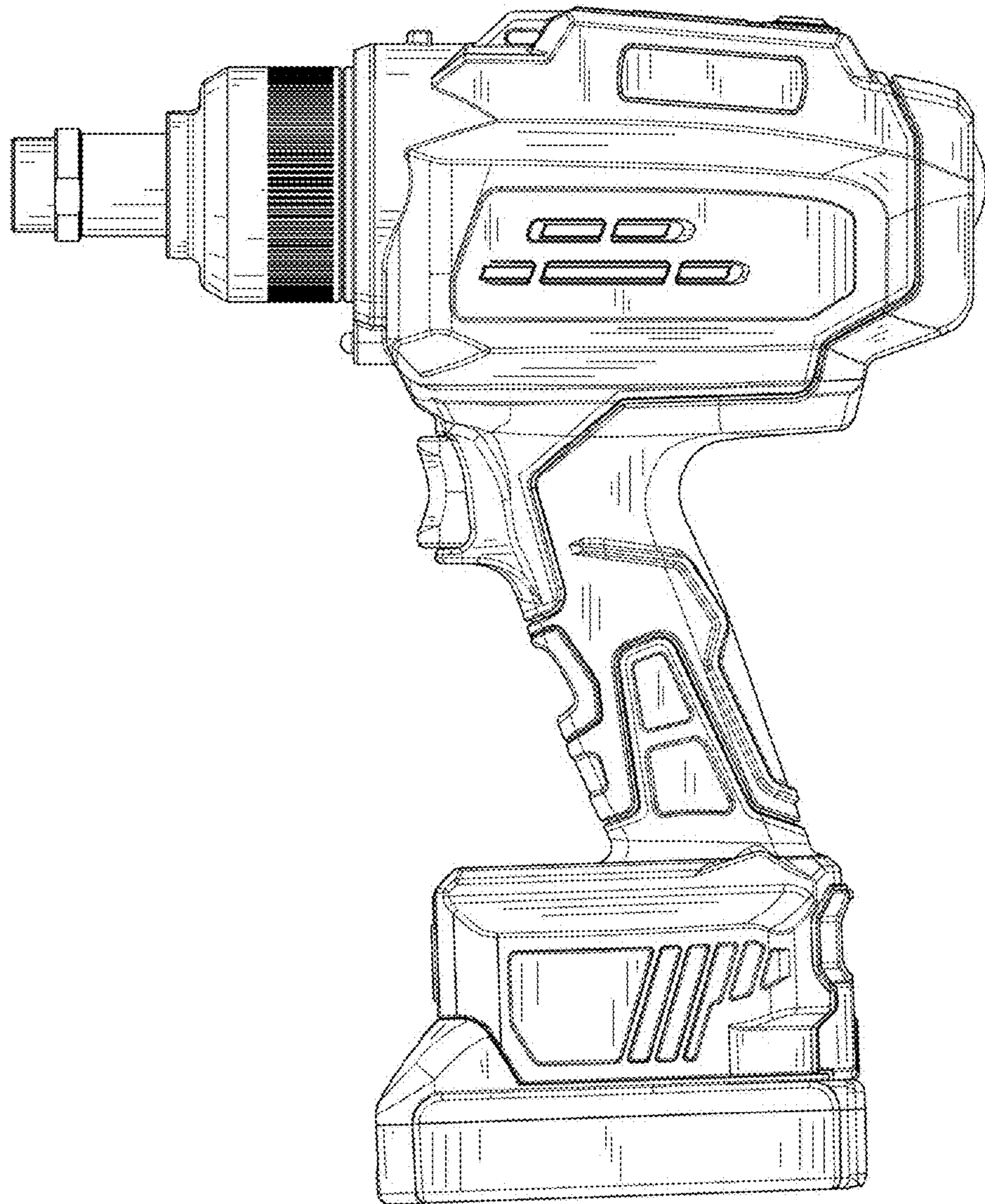
1.2



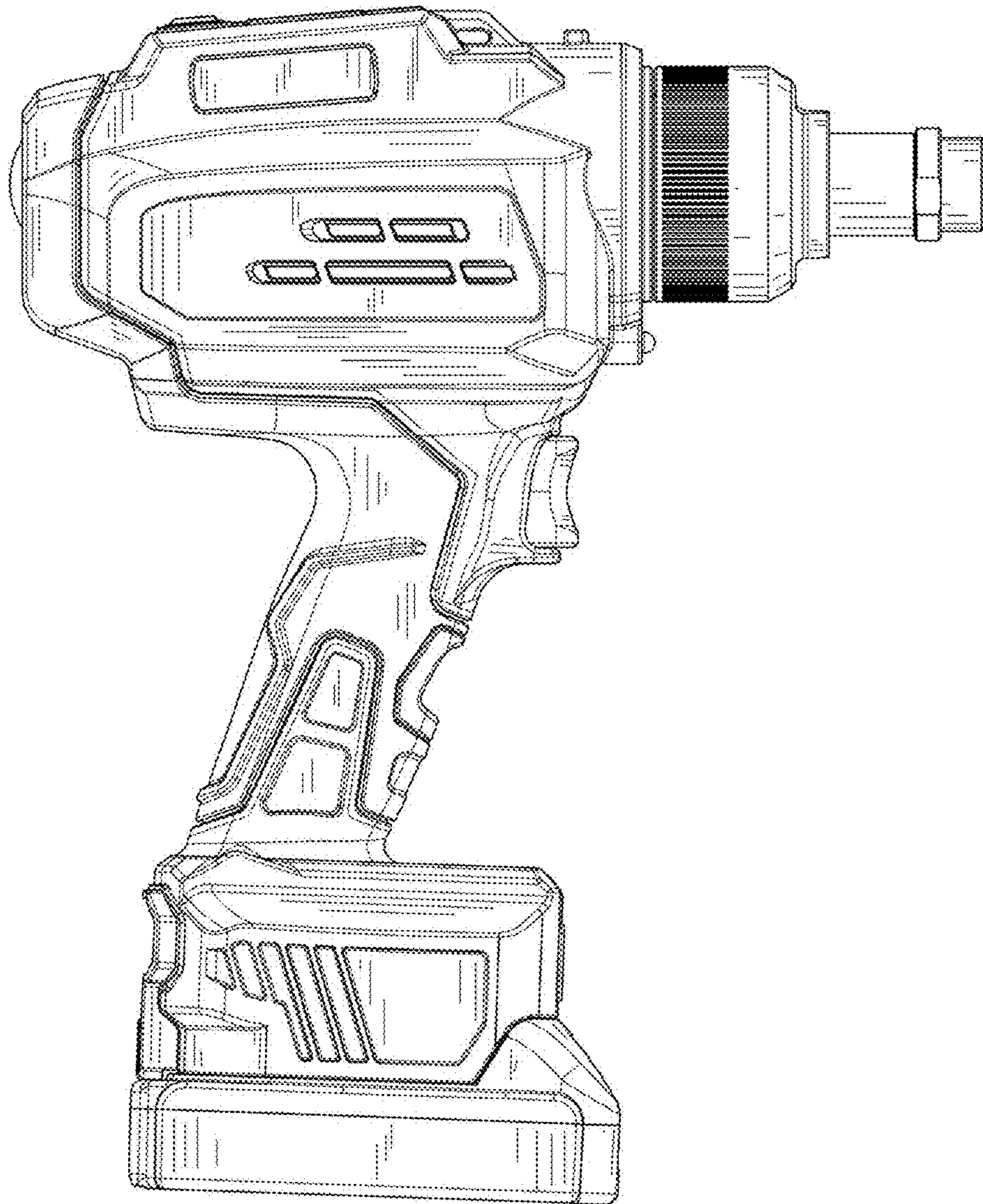
1.3



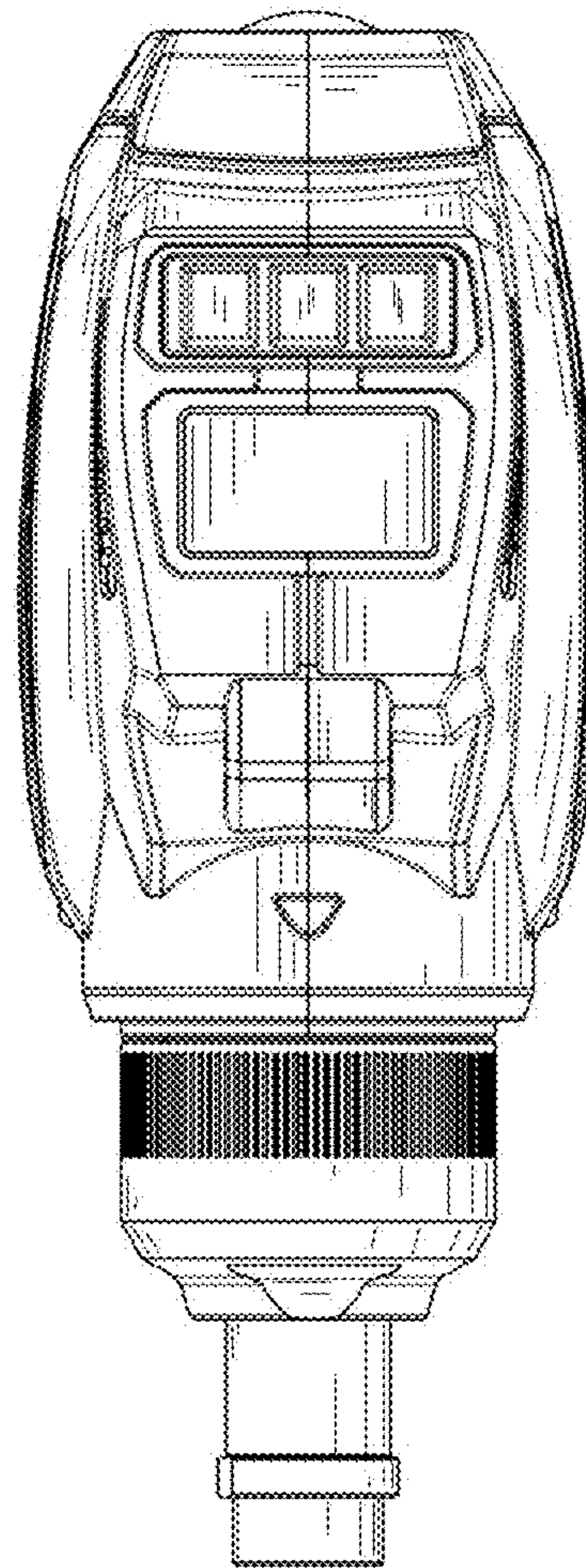
1.4



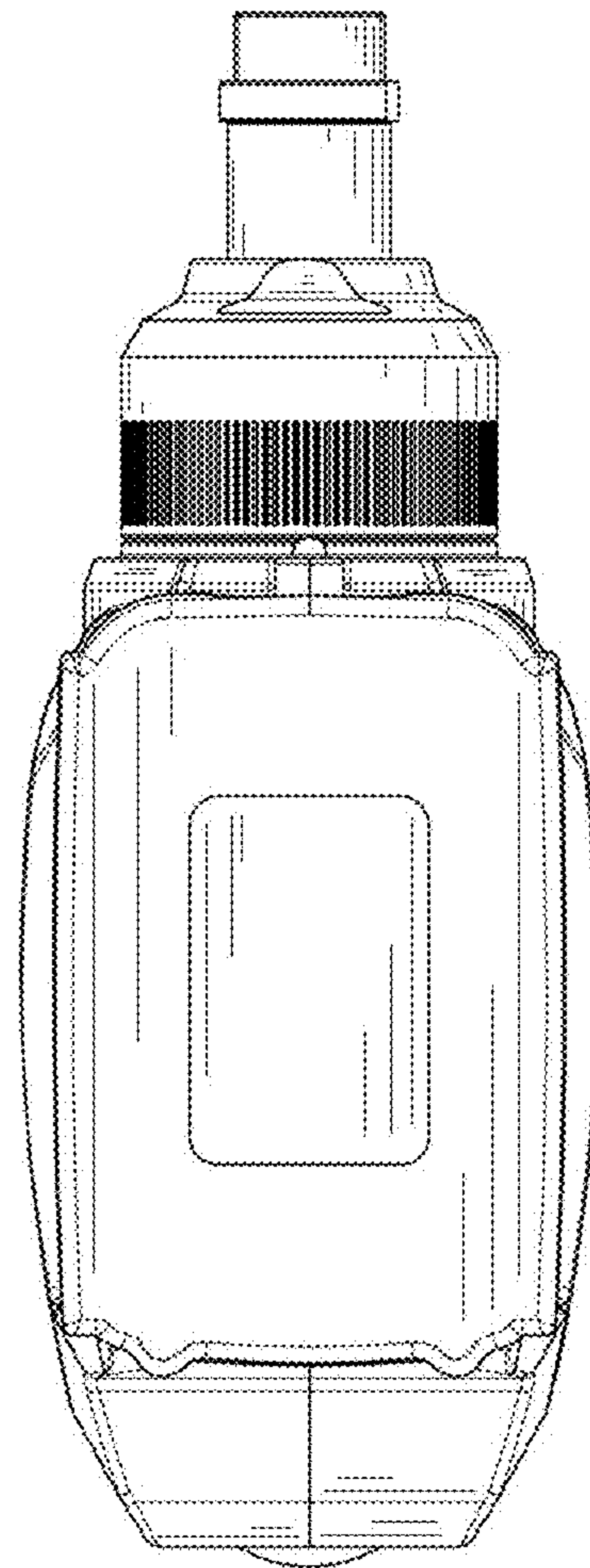
1.5



1.6



1.7



1.8

