



US00D987398S

(12) **United States Design Patent**
Hernandez, Jr.

(10) **Patent No.:** **US D987,398 S**

(45) **Date of Patent:** **** May 30, 2023**

(54) **RATCHET HANDLE**

(71) Applicant: **Alltrade Tools LLC**, Cypress, CA (US)

(72) Inventor: **Hector R. Hernandez, Jr.**, Fullerton, CA (US)

(**) Term: **15 Years**

(21) Appl. No.: **29/788,592**

(22) Filed: **Jun. 29, 2021**

(51) **LOC (14) Cl.** **08-05**

(52) **U.S. Cl.**
USPC **D8/44; D8/107**

(58) **Field of Classification Search**
USPC D8/44, 14, 51, 107
CPC B25B 25/00; B21F 9/00; B60P 7/0823;
B60P 7/083; B60P 7/0846; Y10T 24/21;
Y10T 24/2117

See application file for complete search history.

(56) **References Cited**

U.S. PATENT DOCUMENTS

D514,409 S *	2/2006	Kopp	D8/44
D579,741 S *	11/2008	Selby	D8/44
D639,626 S *	6/2011	Gangakhedkar	D8/44
D657,217 S *	4/2012	Chang	B60P 7/083
				D8/44
D681,411 S *	5/2013	Qin	D8/44
D686,894 S *	7/2013	Breeden	B60P 7/083
				D8/44
D818,330 S *	5/2018	Barrette	D8/44
D861,448 S *	10/2019	Zhang	B65B 13/22
				D8/44
D970,993 S *	11/2022	Shao	B60P 7/083
				D8/44

2009/0119892 A1 *	5/2009	Breeden	B60P 7/083
				24/68 CD
2010/0263476 A1 *	10/2010	Peschmann	G05G 1/085
				74/546
2010/0322737 A1 *	12/2010	Huang	B60P 7/083
				410/100
2012/0167707 A1 *	7/2012	Chang	F16G 11/12
				74/491
2018/0339637 A1 *	11/2018	Hatcher	B60P 7/083
2021/0179379 A1 *	6/2021	Zhang	B65B 13/22
2022/0142307 A1 *	5/2022	Seader	B60P 7/083

* cited by examiner

Primary Examiner — Philip S Hyder

(74) *Attorney, Agent, or Firm* — Fulwider Patton LLP

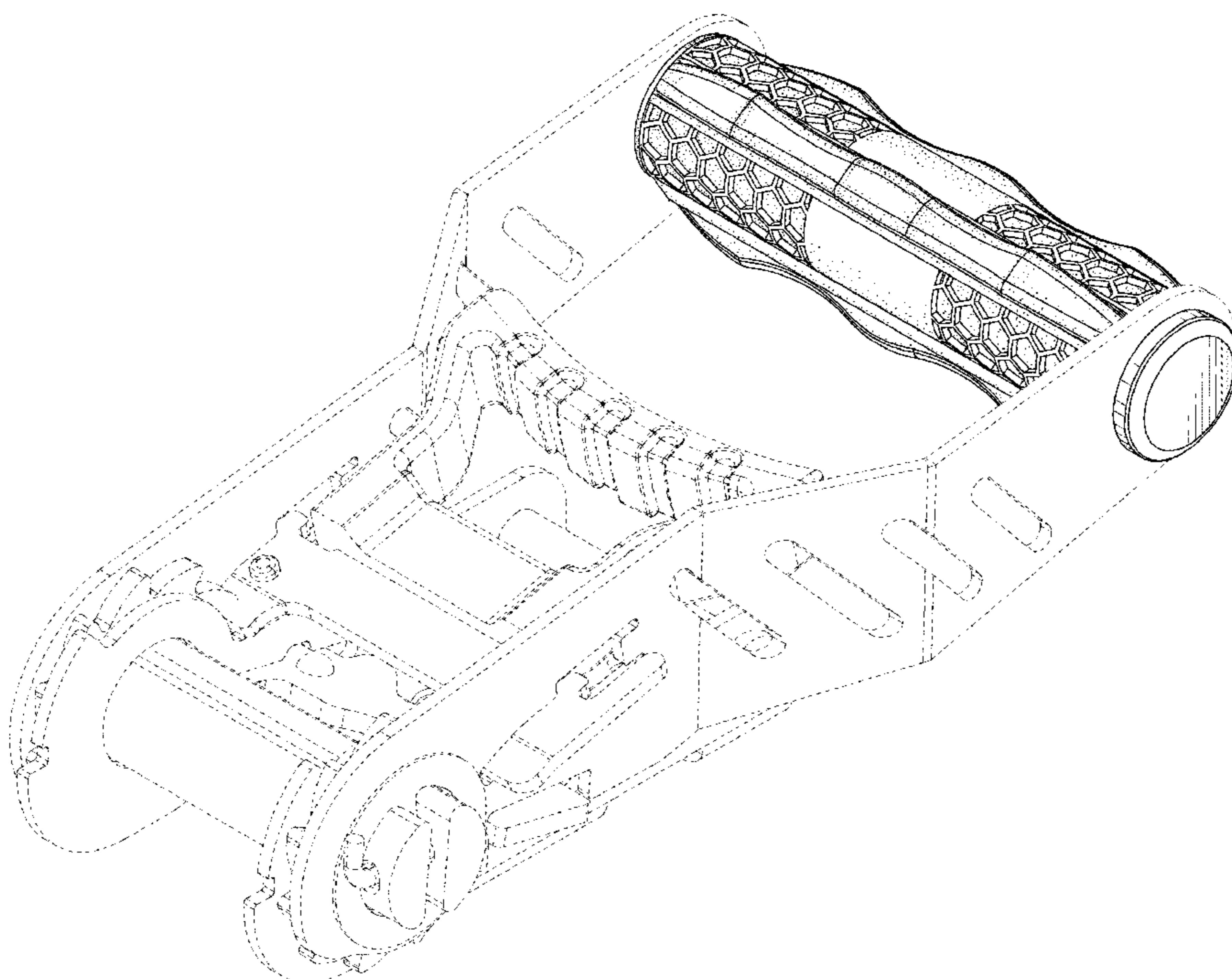
(57) **CLAIM**

The ornamental design for a ratchet handle, as shown and described.

DESCRIPTION

FIG. 1 is a top elevated perspective view of my handle showing our new design;
FIG. 2 is a front view thereof;
FIG. 3 is a rear view thereof;
FIG. 4 is a top view thereof;
FIG. 5 is a bottom view thereof;
FIG. 6 is a left view thereof; and
FIG. 7 is a right view thereof; and,
FIG. 8 is a top elevated perspective view thereof, shown in relation to environmental structure.
The broken lines in FIG. 8 show environmental structure and form no part of my invention.

1 Claim, 5 Drawing Sheets



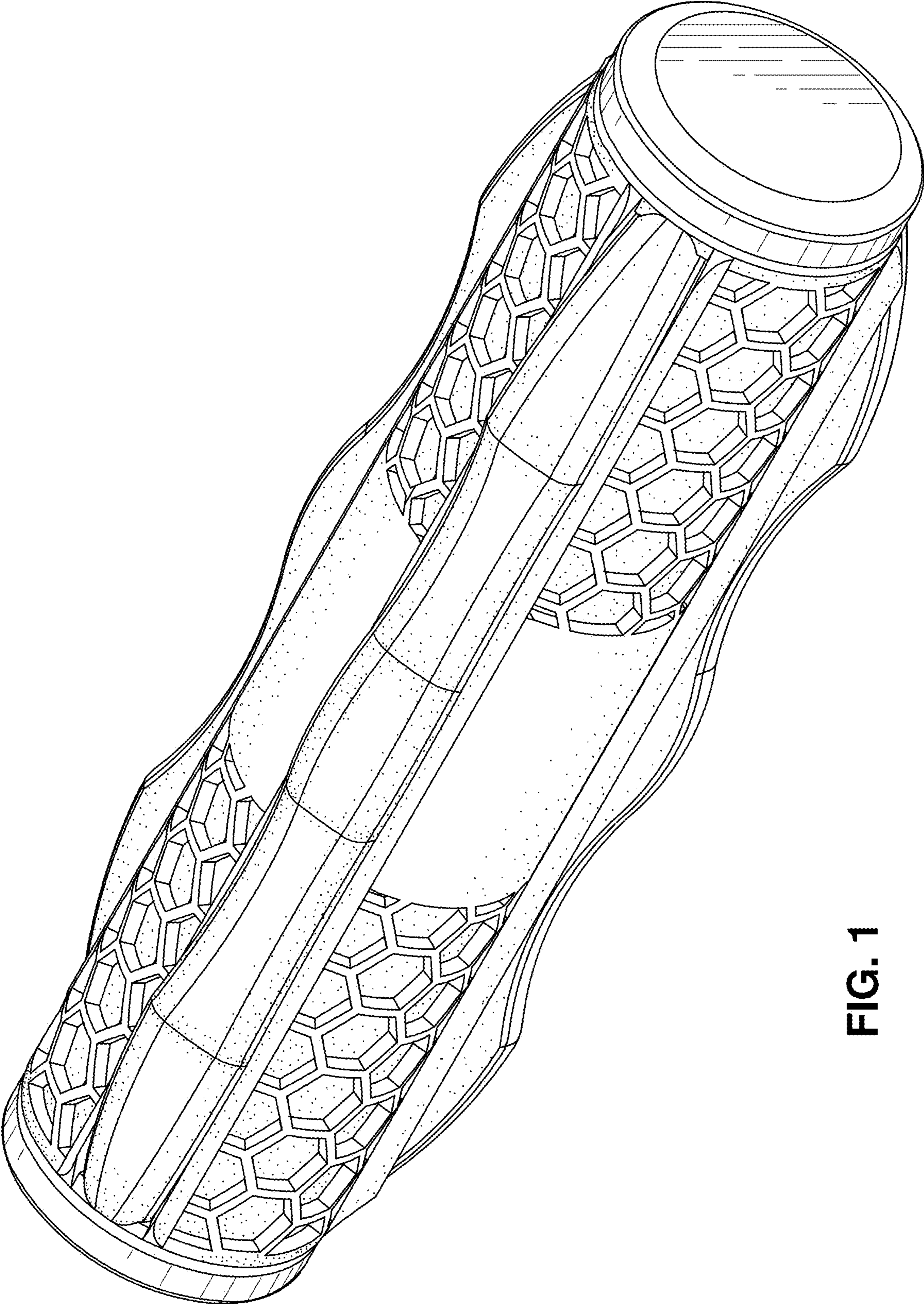


FIG. 1

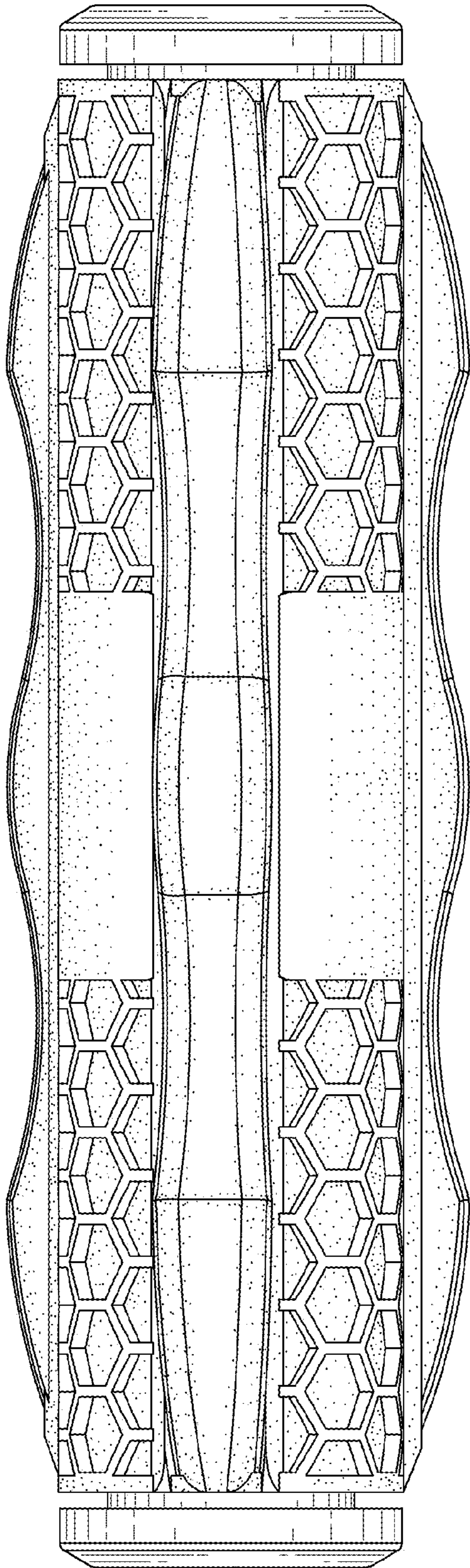


FIG. 2

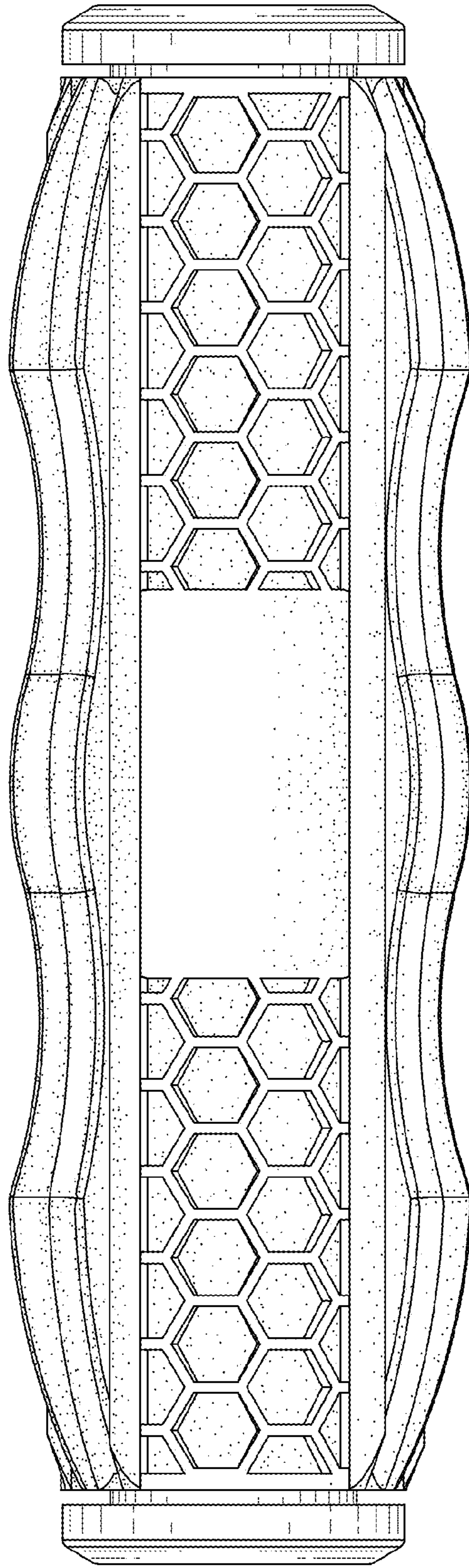


FIG. 3

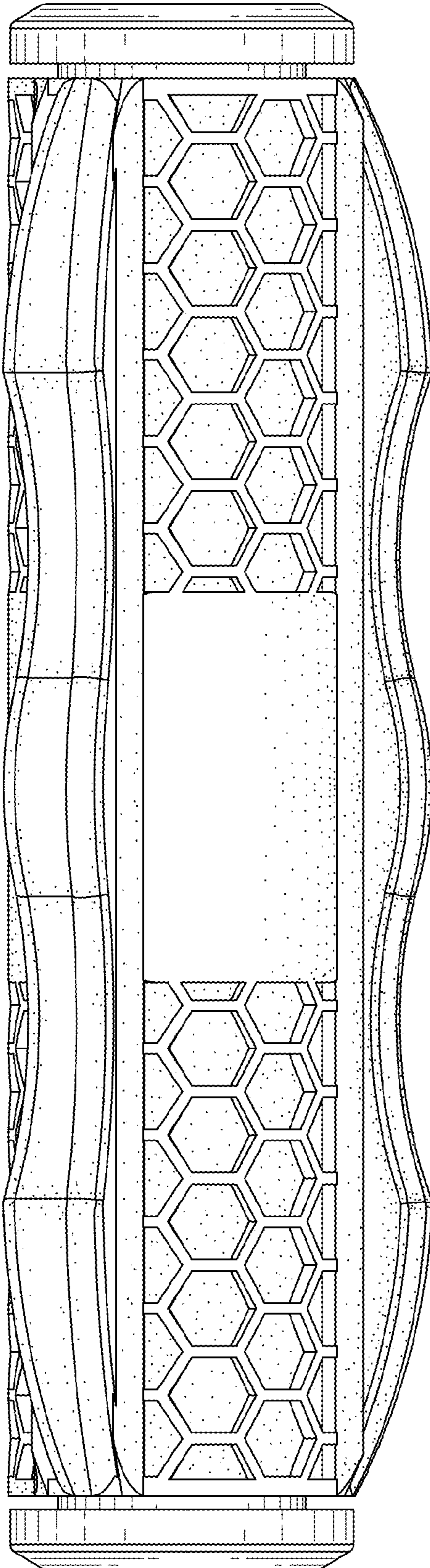


FIG. 4

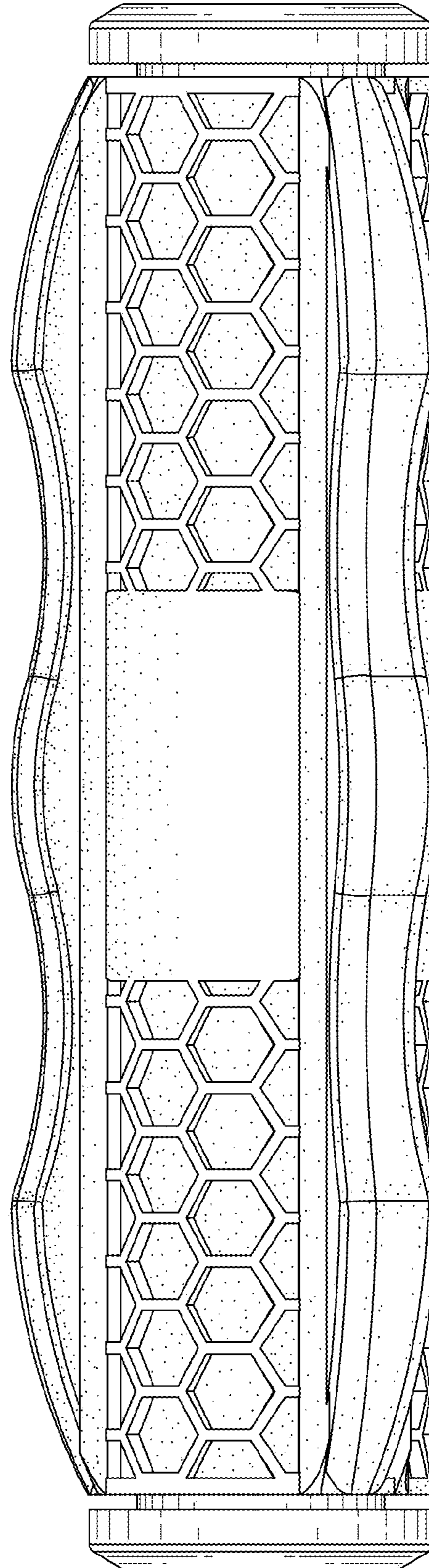


FIG. 5

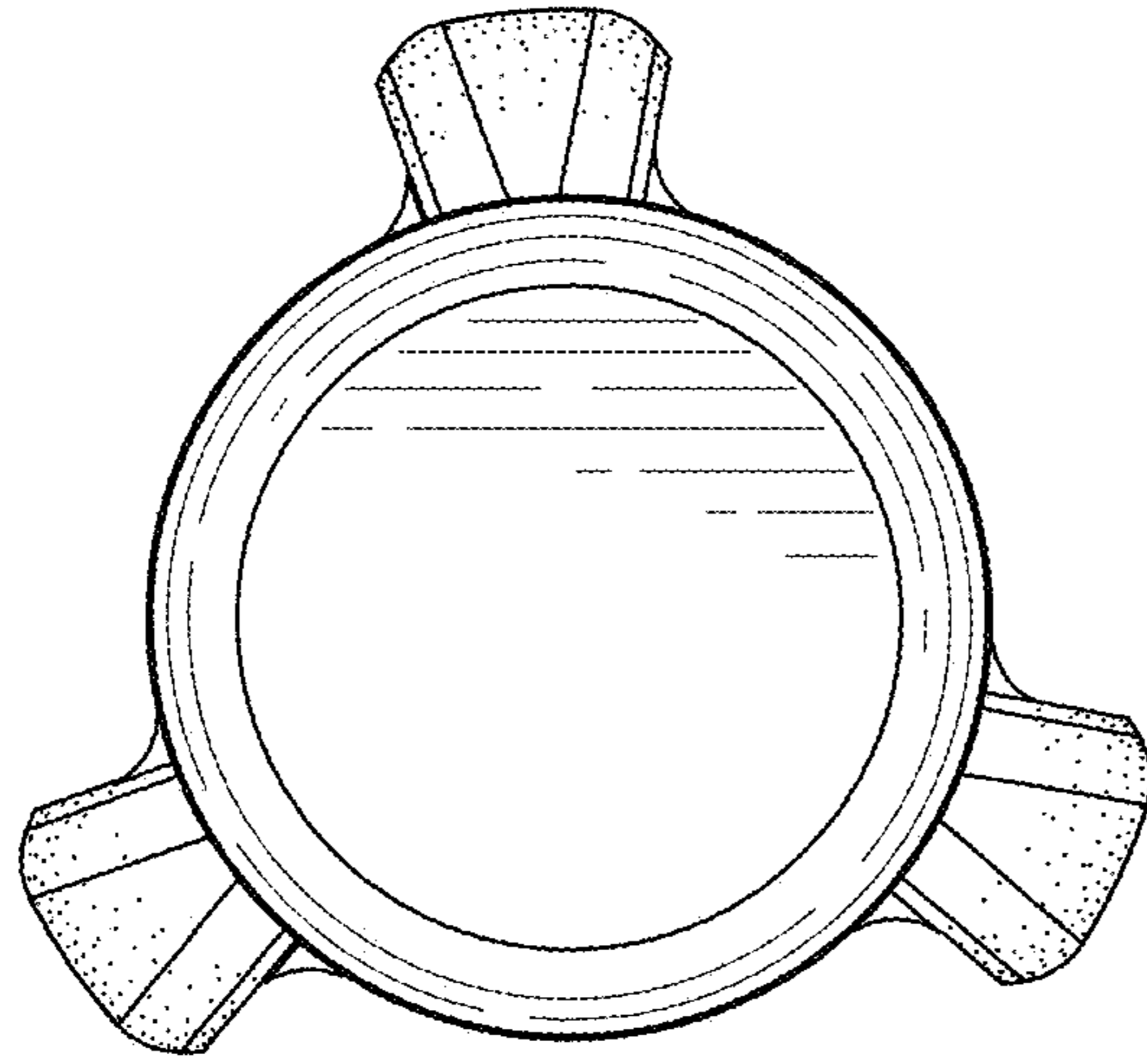


FIG. 7

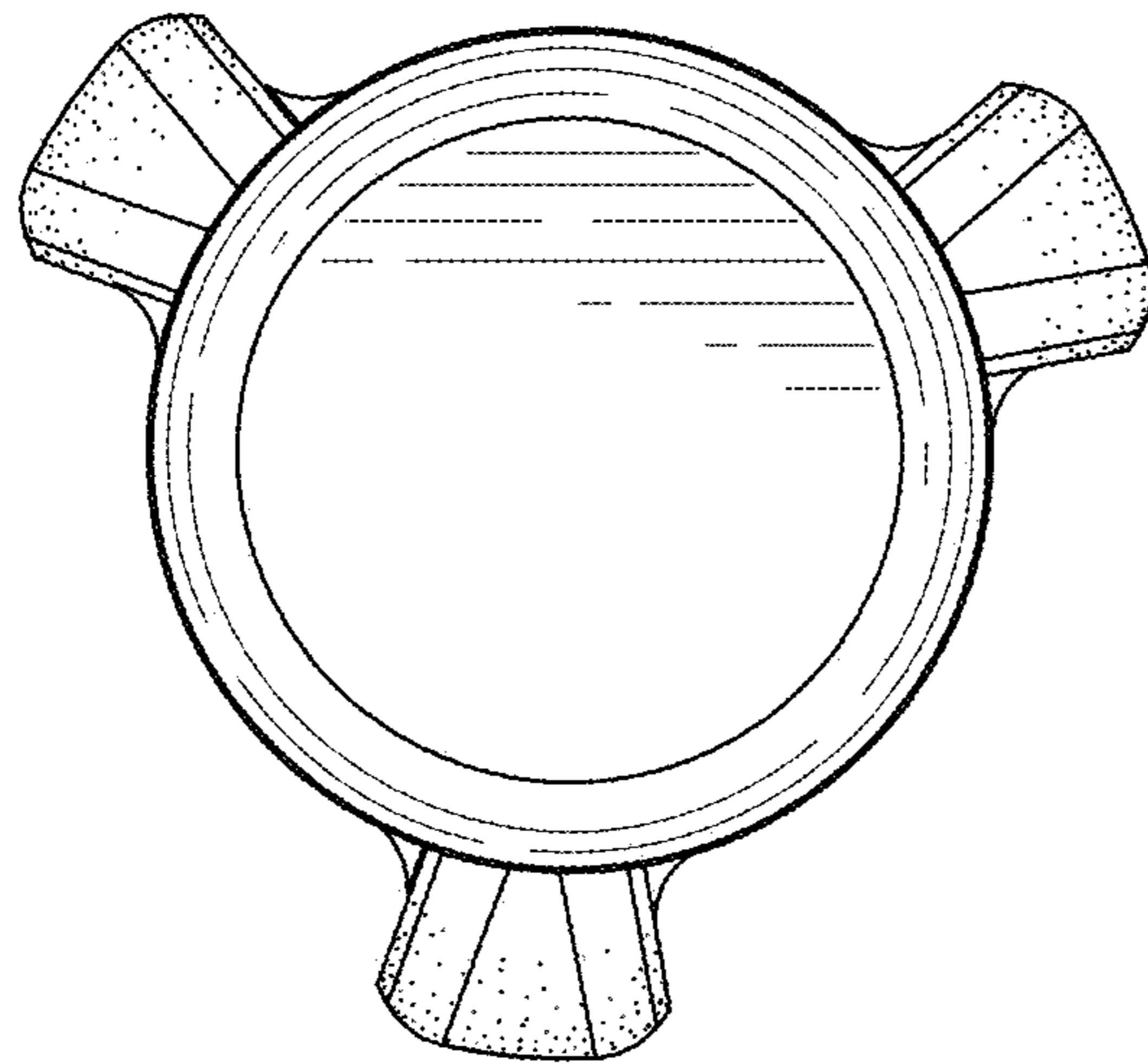


FIG. 6

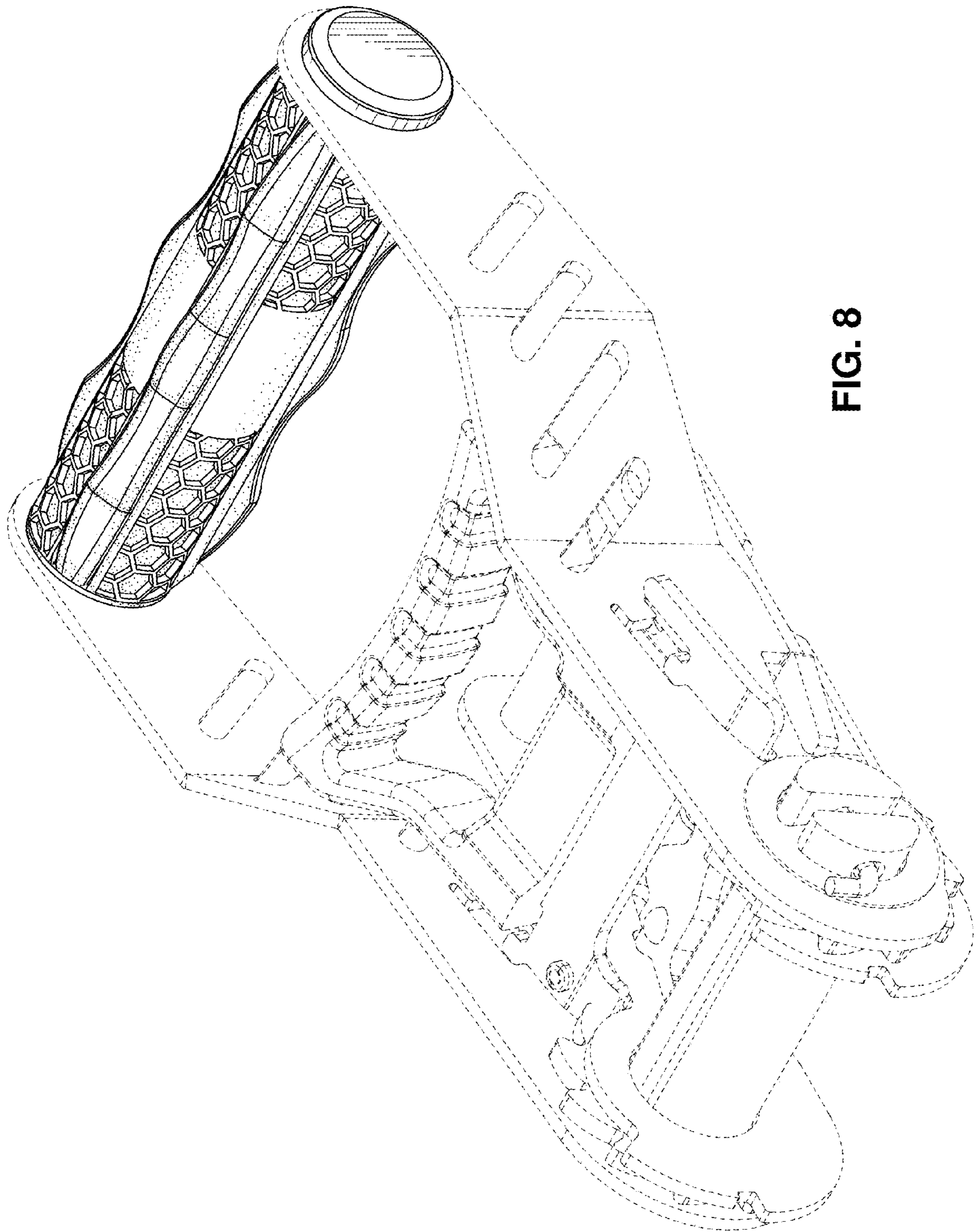


FIG. 8