



US00D987397S

(12) **United States Design Patent** (10) **Patent No.:** **US D987,397 S**
Ferlin (45) **Date of Patent:** **** May 30, 2023**

(54) **CORKSCREW**

D397,010 S * 8/1998 Usbeck D8/42
D475,262 S * 6/2003 Hsieh D8/42
D814,896 S * 4/2018 Bodum D8/42

(71) Applicant: **Jorge Ferlin**, Paraná (BR)

(72) Inventor: **Jorge Ferlin**, Paraná (BR)

(**) Term: **15 Years**

(21) Appl. No.: **29/773,909**

(22) Filed: **Mar. 12, 2021**

(51) **LOC (14) Cl.** **07-06**

(52) **U.S. Cl.**
USPC **D8/42**

(58) **Field of Classification Search**
USPC D8/40, 42
CPC B67B 7/04; B67B 7/0423; B67B 7/0417;
B67B 7/0447; B67B 7/44

See application file for complete search history.

(56) **References Cited**

U.S. PATENT DOCUMENTS

D205,408 S * 8/1966 Vogel D8/42
4,291,597 A * 9/1981 Allen B67B 7/0447
81/3.48
4,572,034 A * 2/1986 Lee B67B 7/0441
81/3.29
4,658,678 A * 4/1987 Pracht B67B 7/0441
81/3.29
D364,324 S * 11/1995 Entwistle D8/42

OTHER PUBLICATIONS

The Durand, posted Jan. 18, 2019 [online], [retrieved Sep. 1, 2022]. Retrieved from internet, https://www.amazon.com/Durand%C2%AE-device-successfully-fragile-intact/dp/B005Z6UCO8/ref=asc_df_B005Z6UCO8/?tag=hyprod-20&linkCode=df0&hva%E2%80%A6 (Year: 2019).*

* cited by examiner

Primary Examiner — Calvin E Vansant
Assistant Examiner — Benjamin Lucas Gray
(74) *Attorney, Agent, or Firm* — Bay State IP, LLC

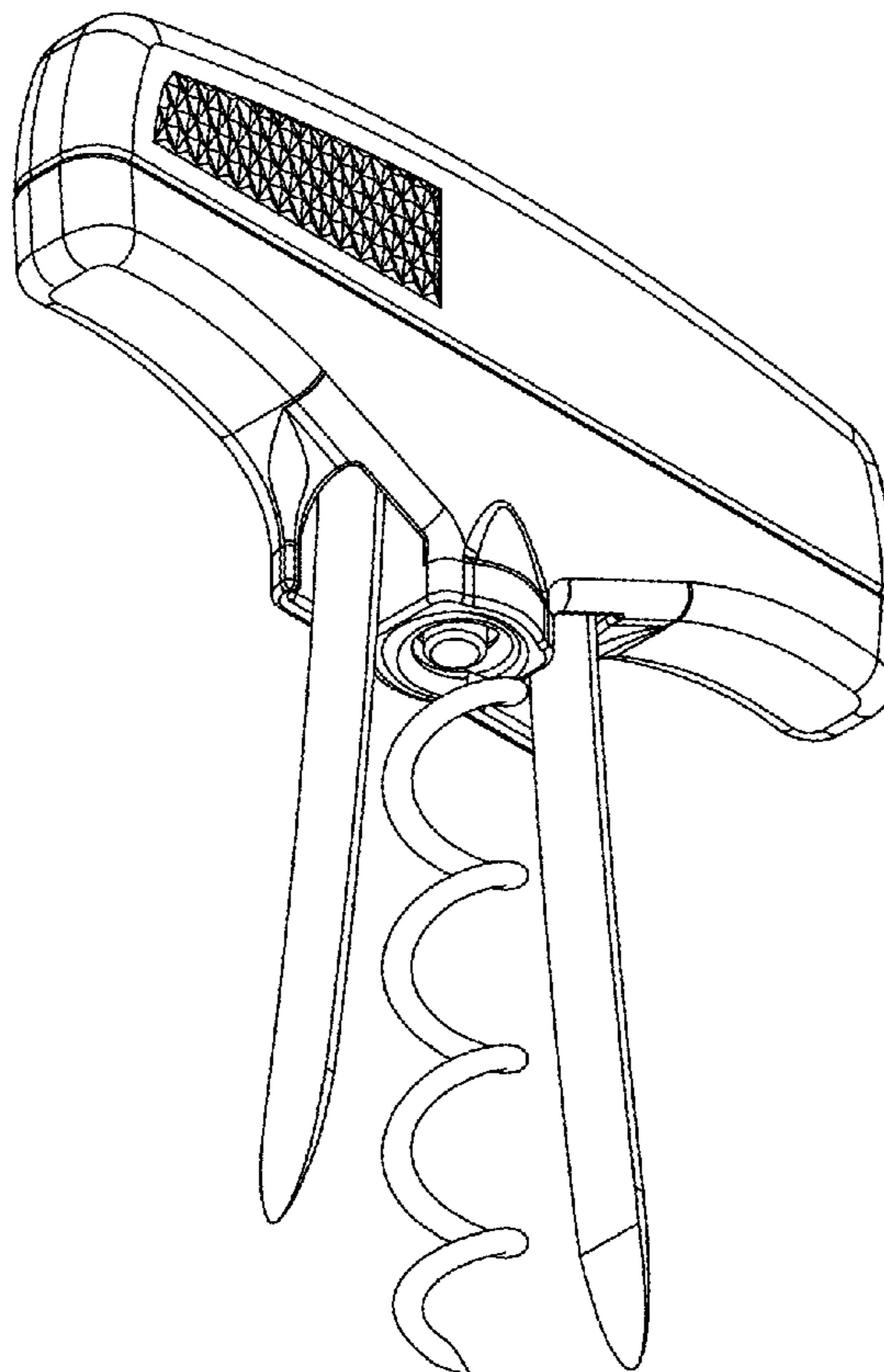
(57) **CLAIM**

The ornamental design for a corkscrew, as shown and described.

DESCRIPTION

FIG. 1 is a perspective view of a corkscrew showing my new design;
FIG. 2 is another perspective posterior view thereof;
FIG. 3 is a top view thereof;
FIG. 4 is a right side view thereof;
FIG. 5 is a front view thereof;
FIG. 6 is a left side view thereof;
FIG. 7 is a back view thereof; and,
FIG. 8 is a bottom view thereof.

1 Claim, 8 Drawing Sheets



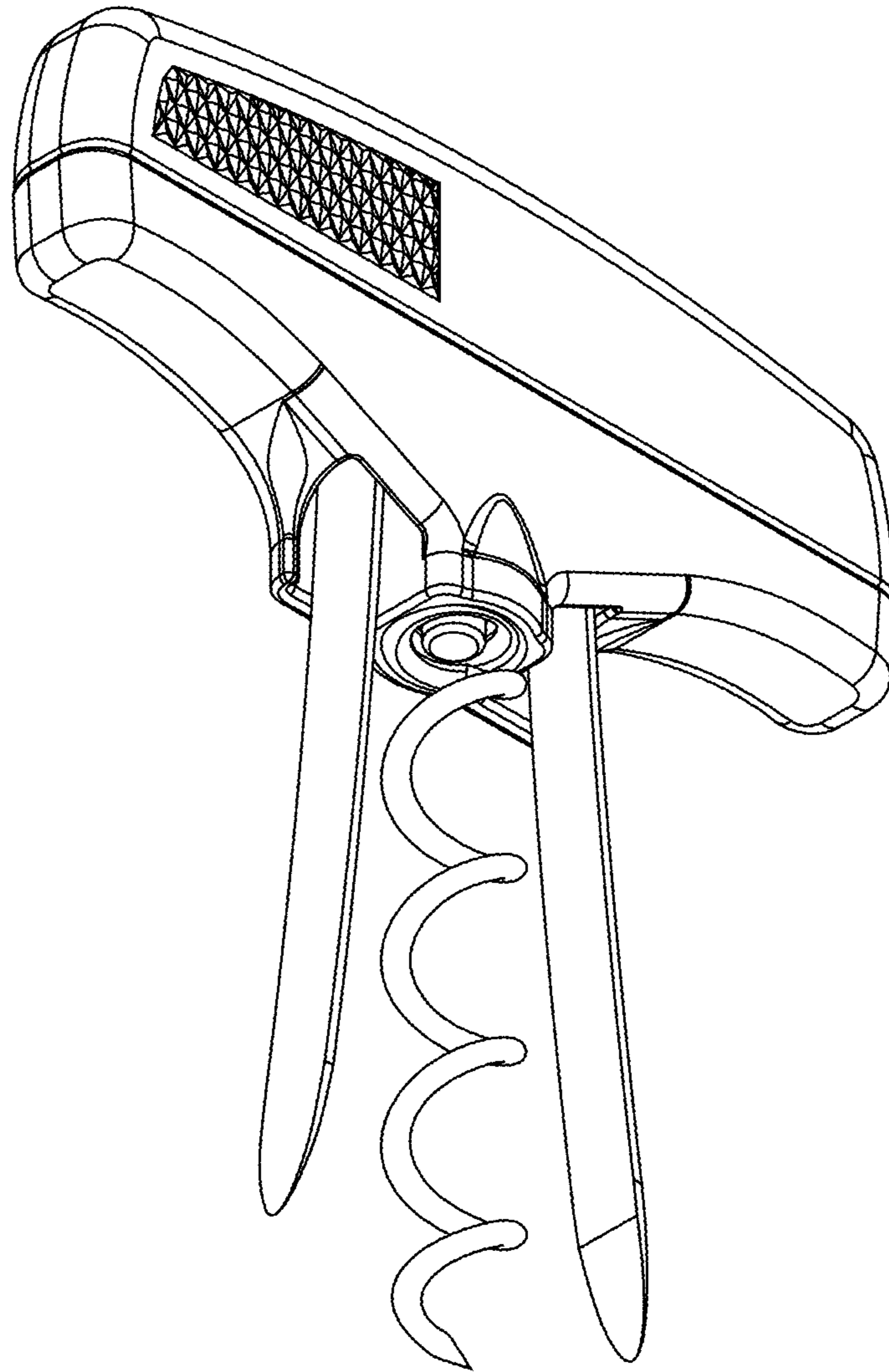


Fig. 1

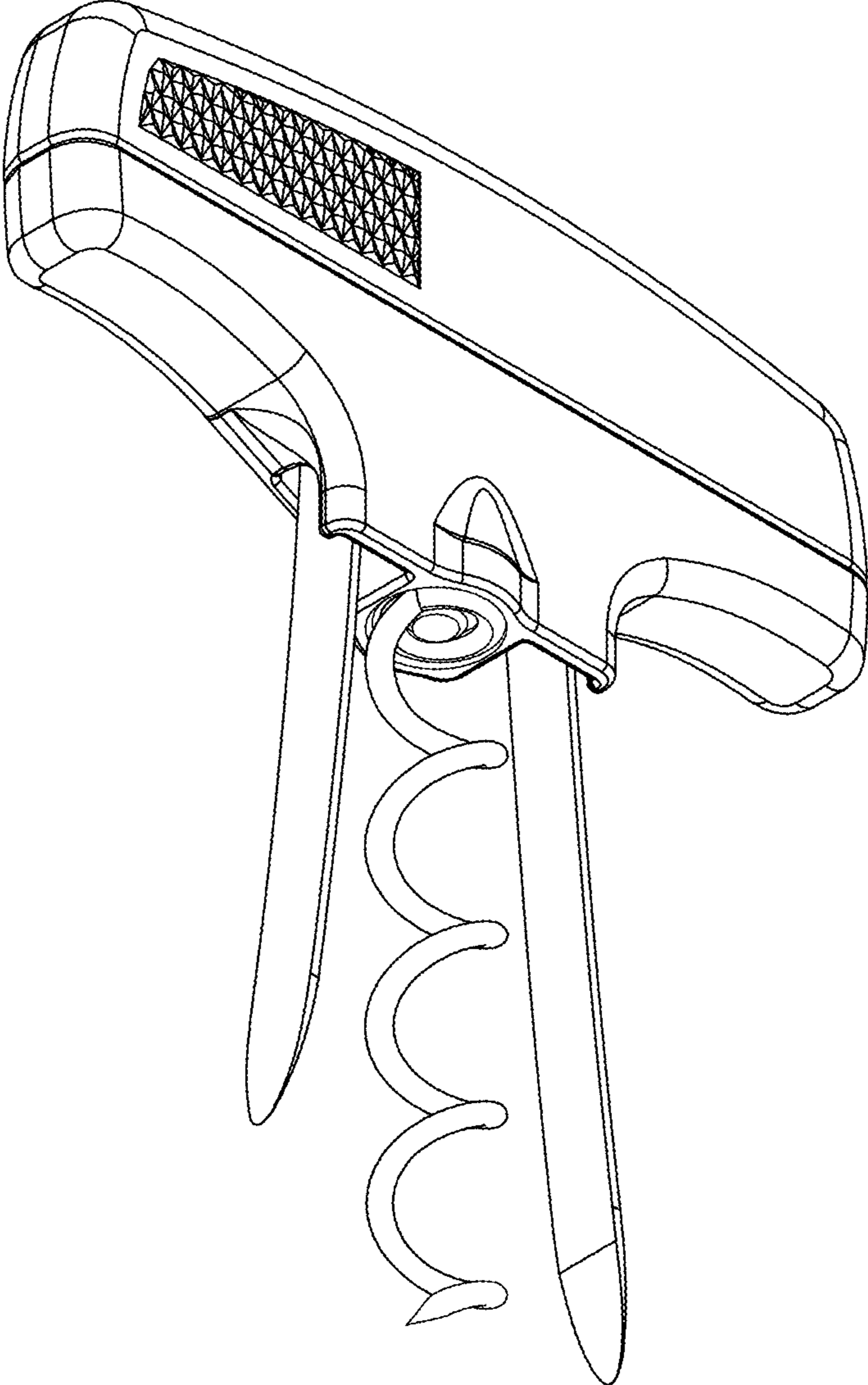


Fig. 2

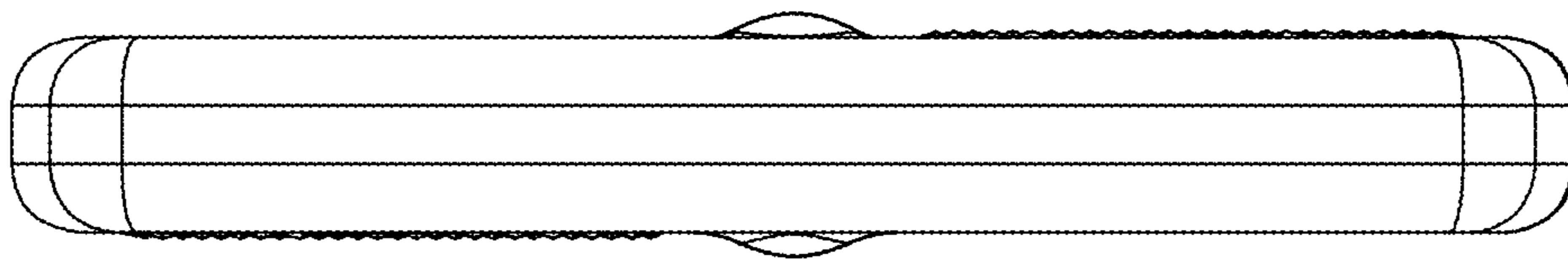


Fig. 3

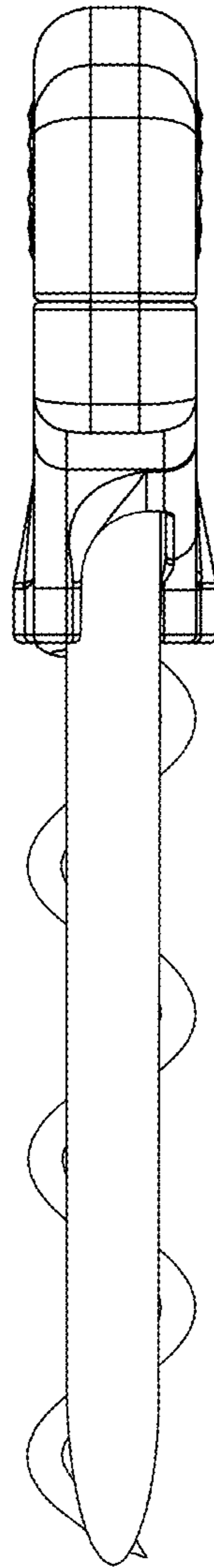


Fig. 4

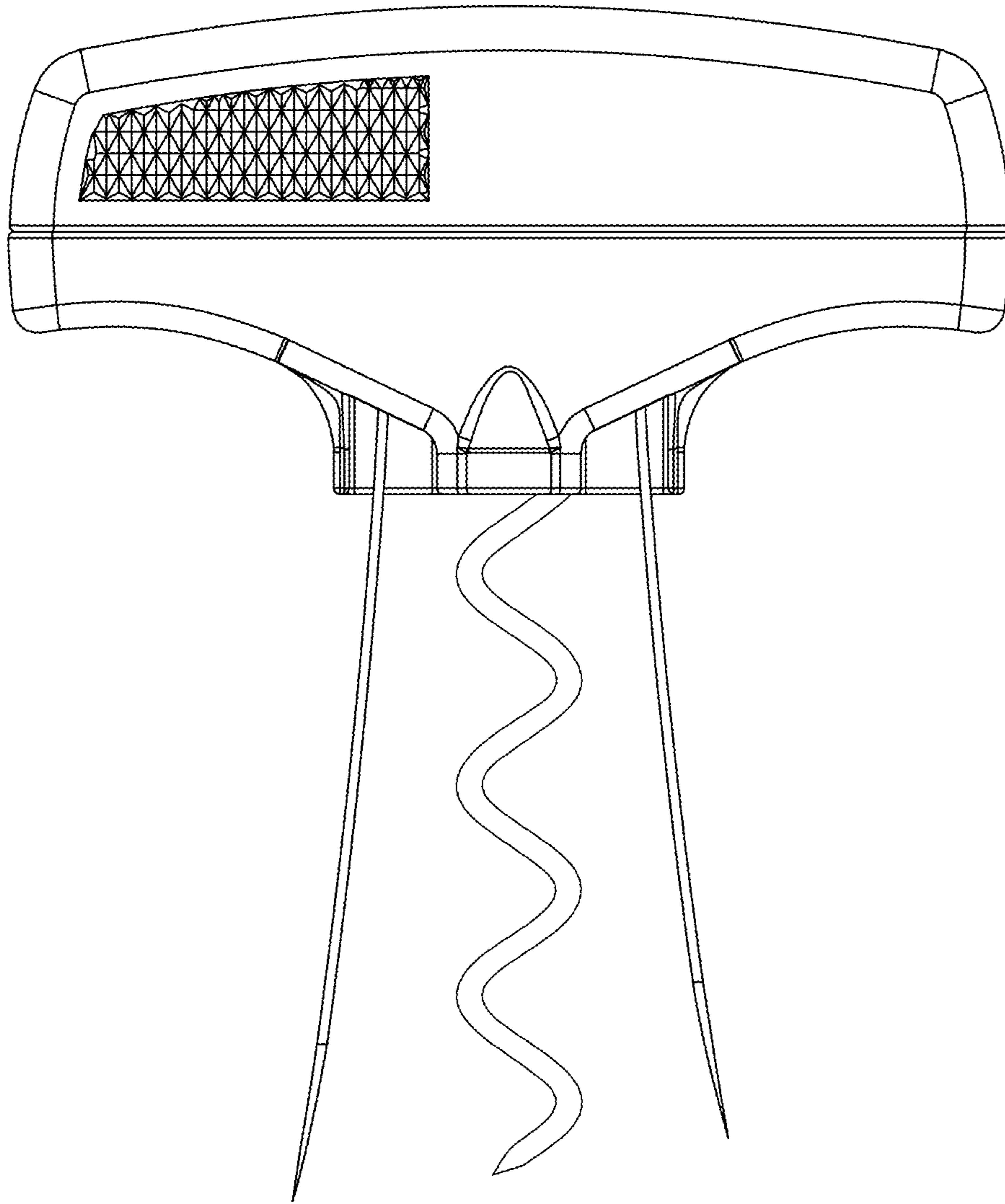


Fig. 5

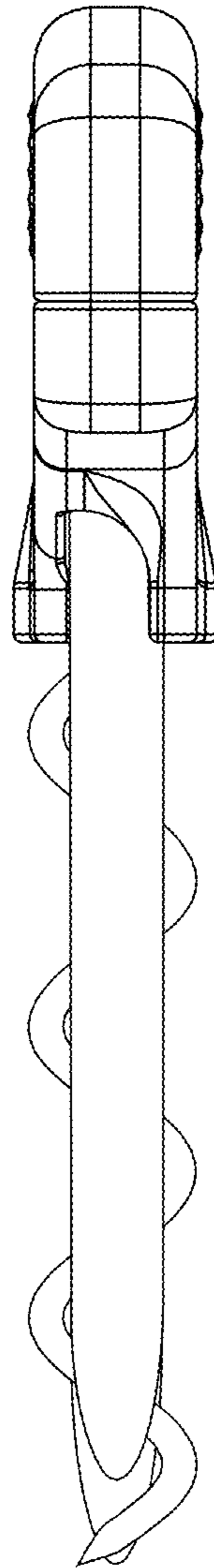


Fig. 6

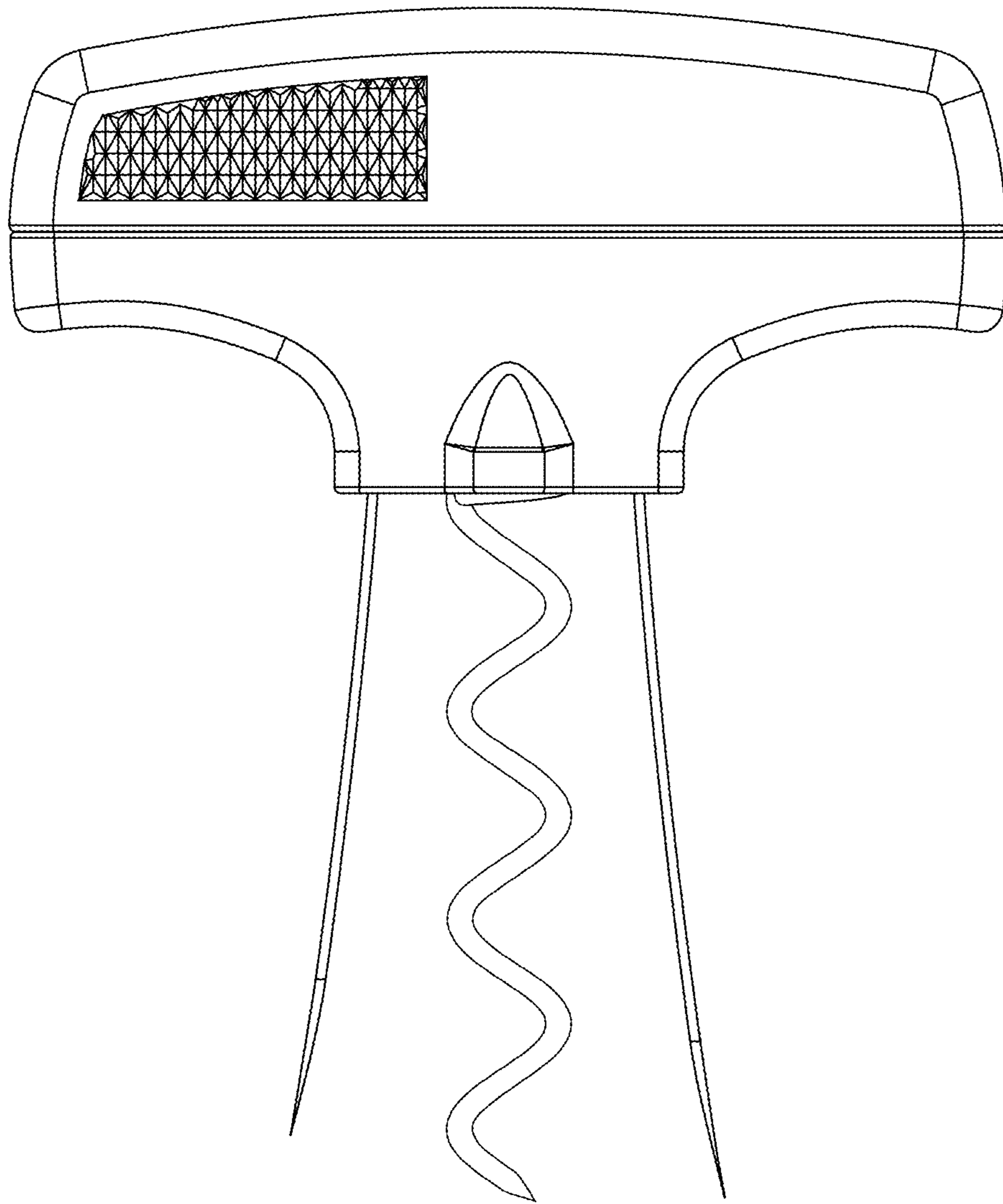


Fig. 7

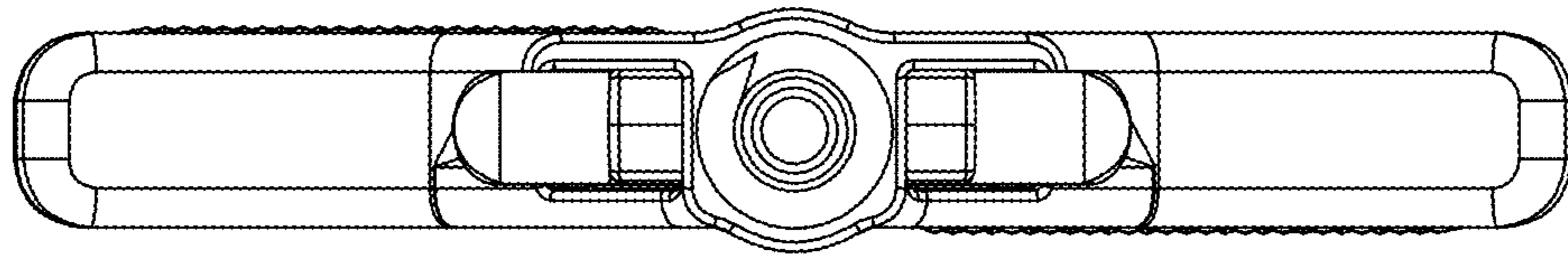


Fig. 8