



US00D987396S

(12) **United States Design Patent**  
**Chuang et al.**

(10) **Patent No.:** **US D987,396 S**

(45) **Date of Patent:** **\*\* May 30, 2023**

(54) **ELECTRIC CAN OPENER**

(71) Applicant: **KITCHEN MAMA LLC**, Wilmington, DE (US)

(72) Inventors: **Shih-Chuan Chuang**, Taipei (TW); **Ching-Hsiu Yao**, Taipei (TW); **Mao-Xi Liu**, Taipei (TW)

(73) Assignee: **KITCHEN MAMA LLC**, Wilmington, DE (US)

(\*\*) Term: **15 Years**

(21) Appl. No.: **29/763,325**

(22) Filed: **Dec. 22, 2020**

(51) **LOC (14) Cl.** ..... **07-99**

(52) **U.S. Cl.**  
USPC ..... **D8/36**

(58) **Field of Classification Search**  
USPC ..... D8/18, 33, 36, 37, 38, 40, 41; D9/437  
CPC .... B67B 7/14; B67B 7/18; B67B 7/20; B67B 7/30; B67B 7/32; B67B 7/34; B67B 7/38; B67B 7/44; B67B 7/162; B67B 7/164; B67B 2007/303; B26B 25/005; B26B 29/063; A47G 23/0266; B65D 17/521  
See application file for complete search history.

(56) **References Cited**

**U.S. PATENT DOCUMENTS**

D561,547 S \* 2/2008 Lee ..... D8/36  
D572,098 S \* 7/2008 Hui ..... D8/41

D594,301 S \* 6/2009 Mah ..... D8/36  
D643,268 S \* 8/2011 Mah ..... D8/41  
D801,141 S \* 10/2017 Hollinger ..... D8/36  
2002/0148122 A1 \* 10/2002 Sanchez ..... B67B 7/385  
30/421  
2007/0044326 A1 \* 3/2007 Sanders ..... B67B 7/34  
30/401

\* cited by examiner

*Primary Examiner* — Calvin E Vansant

*Assistant Examiner* — Benjamin Lucas Gray

(74) *Attorney, Agent, or Firm* — Birch, Stewart, Kolasch & Birch, LLP

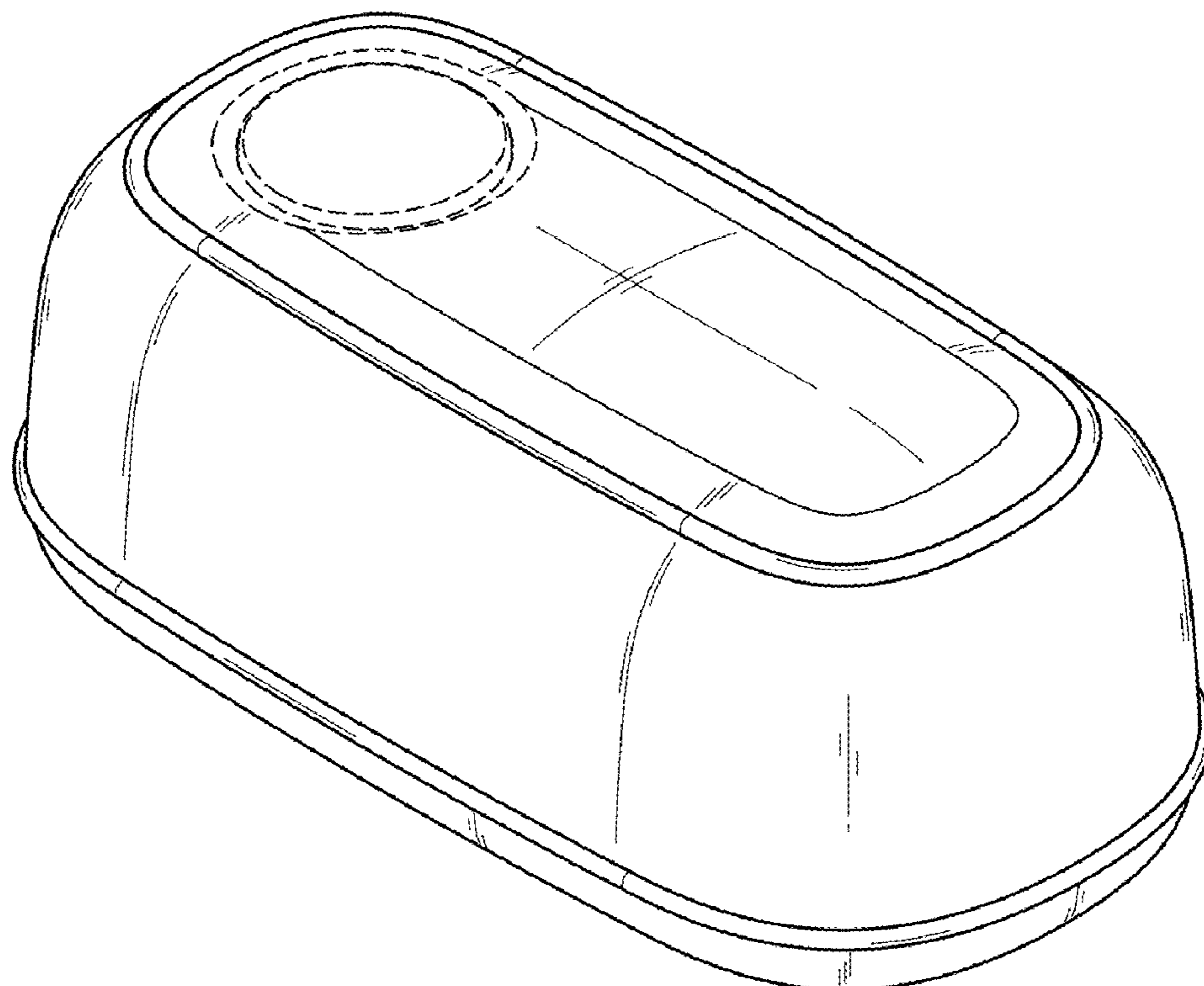
(57) **CLAIM**

The ornamental design for an electric can opener, as shown and described.

**DESCRIPTION**

FIG. 1 is a perspective view of an electric can opener showing the new design;  
FIG. 2 is a front elevational view thereof;  
FIG. 3 is a rear elevational view thereof;  
FIG. 4 is a left side elevational view thereof;  
FIG. 5 is a right side elevational view thereof;  
FIG. 6 is a top plan view thereof; and,  
FIG. 7 is a bottom plan view thereof.  
The broken lines in the figures show portions of the electric can opener that form no part of the claimed design.

**1 Claim, 4 Drawing Sheets**



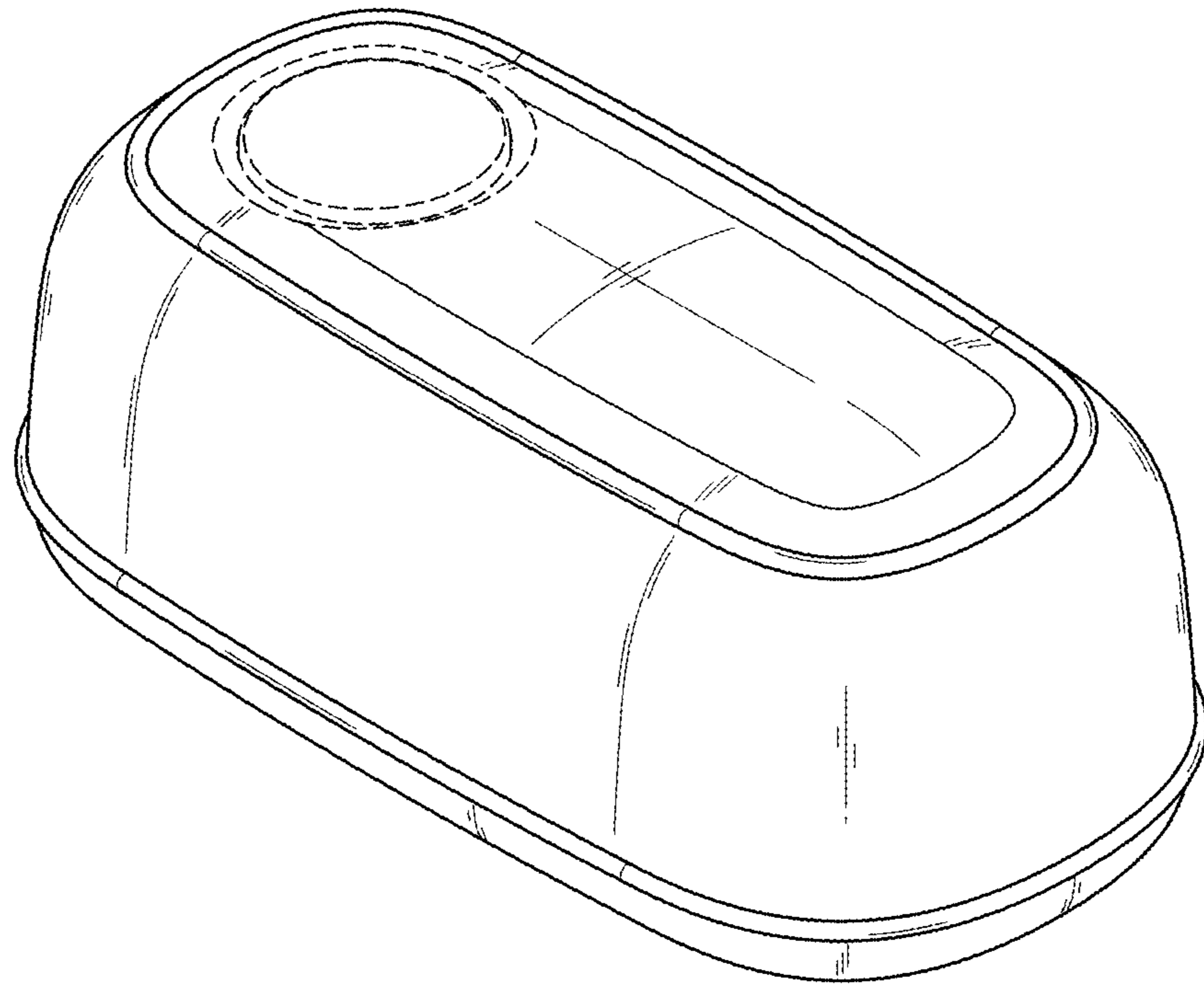


FIG. 1

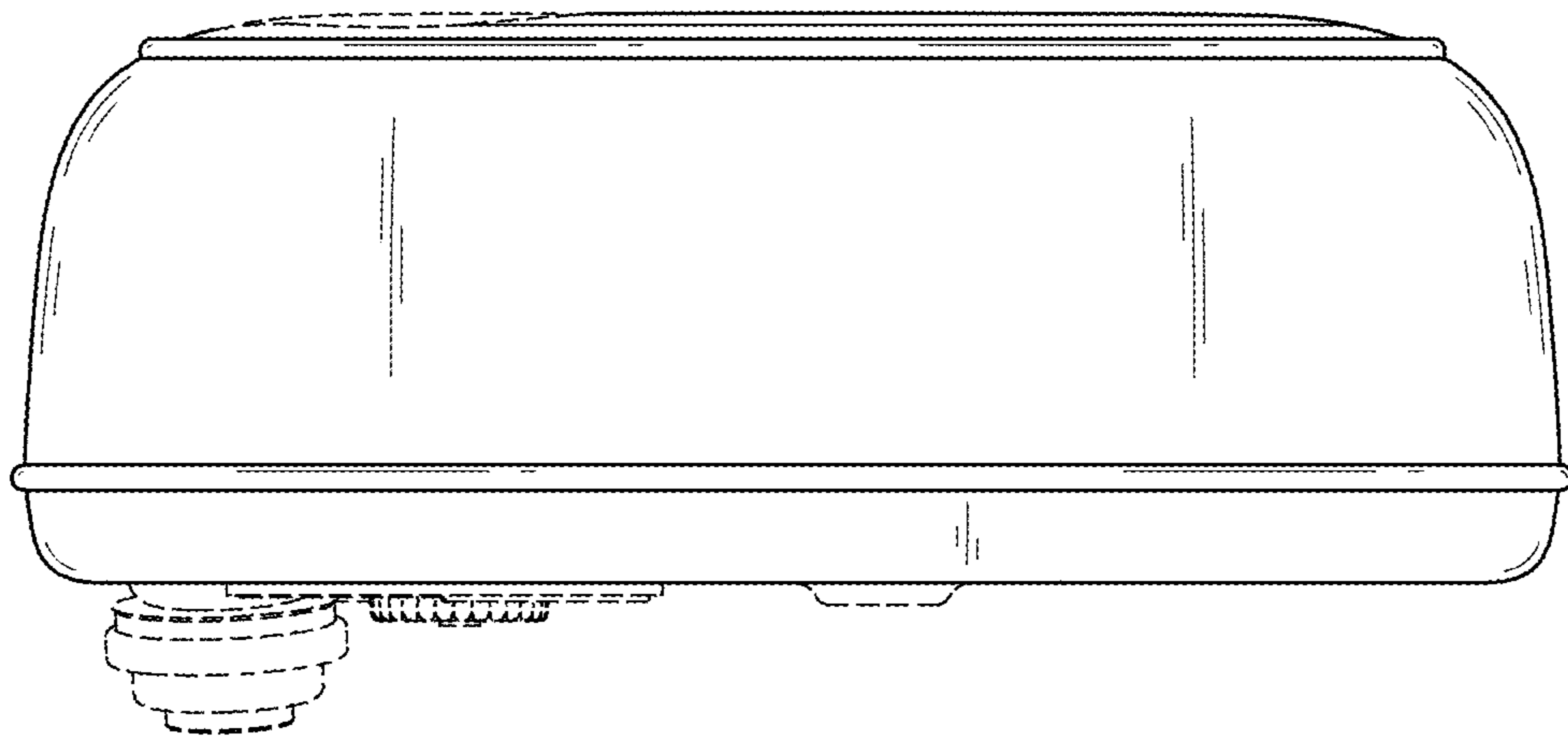


FIG. 2

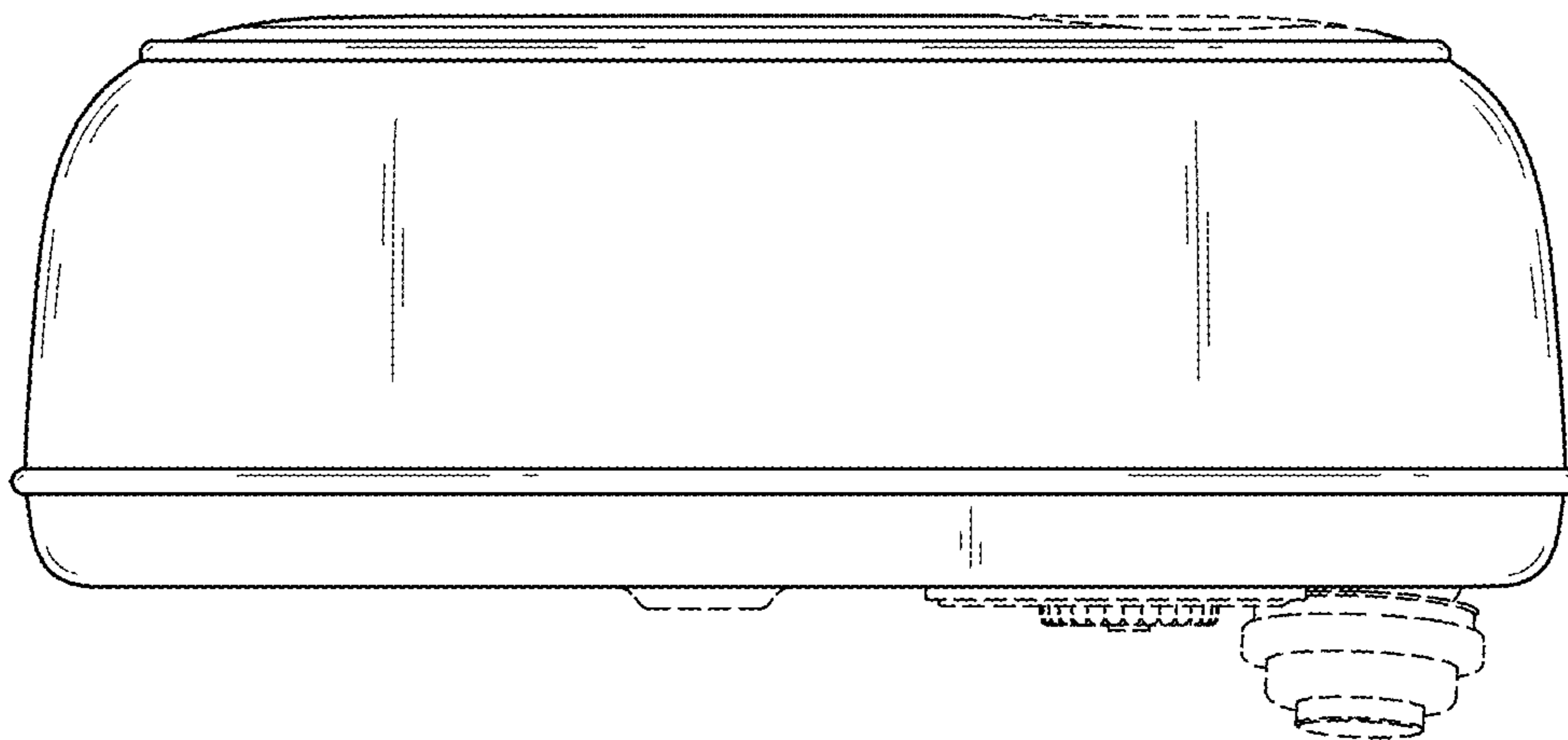


FIG. 3

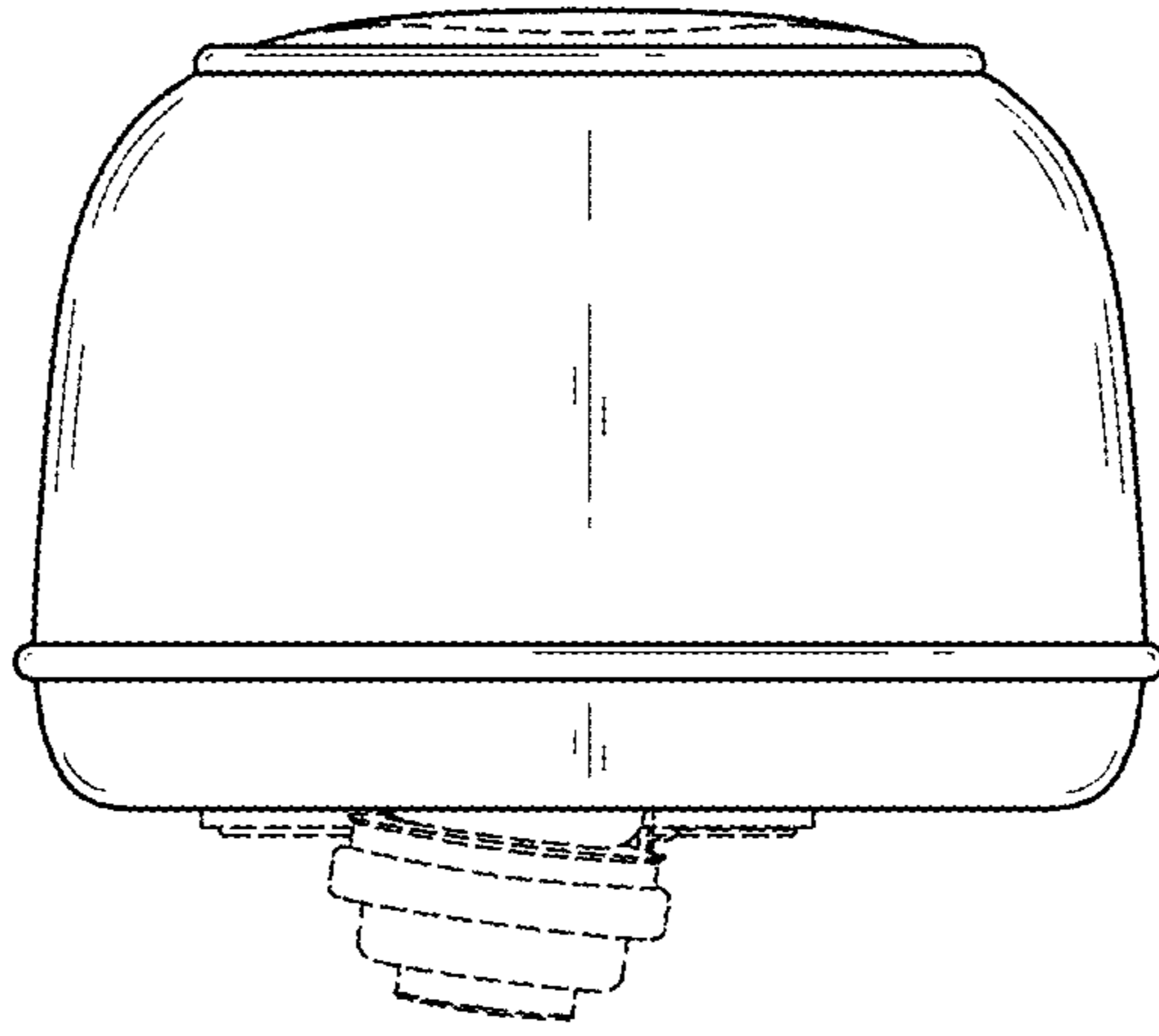


FIG. 4

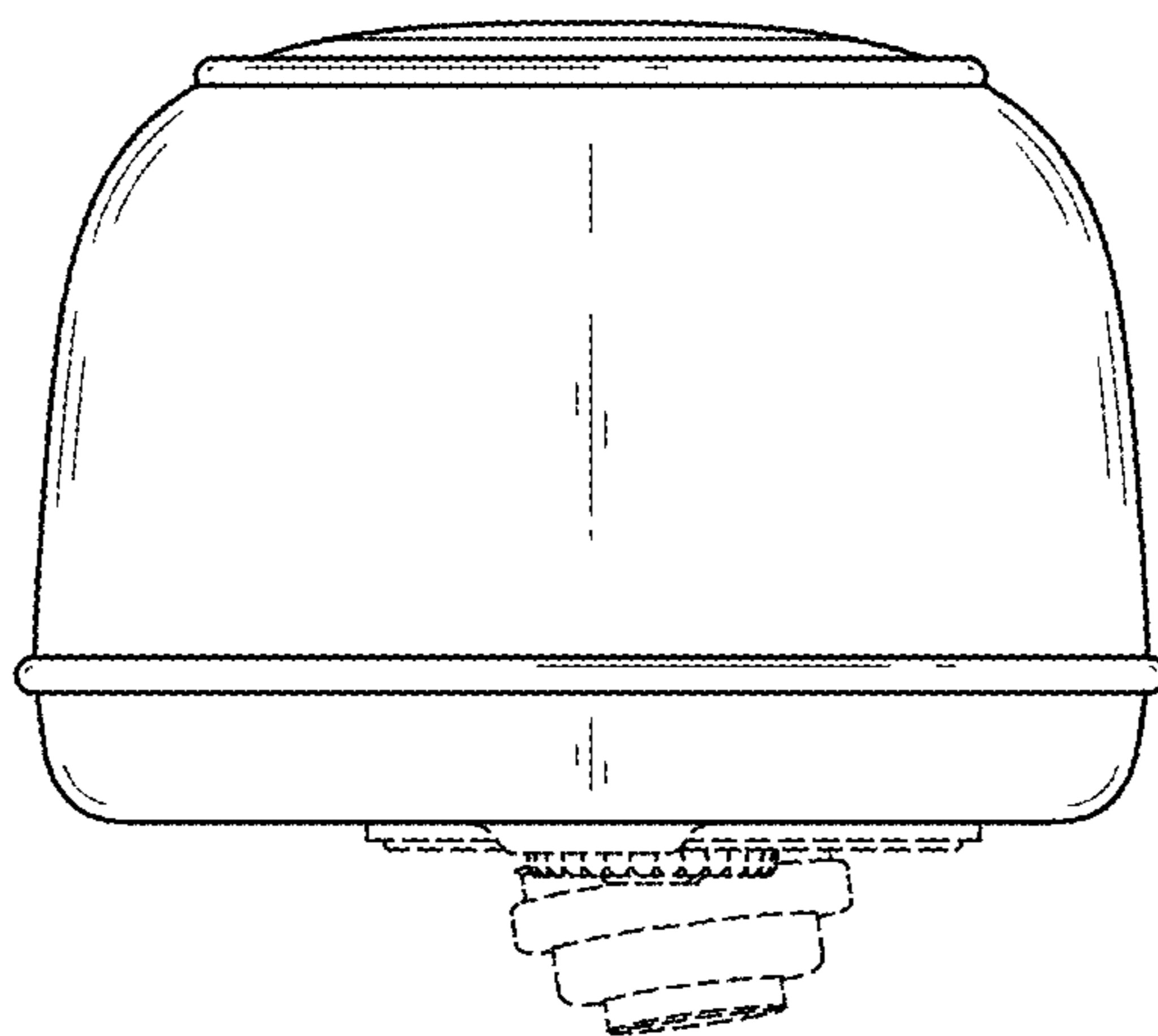


FIG. 5

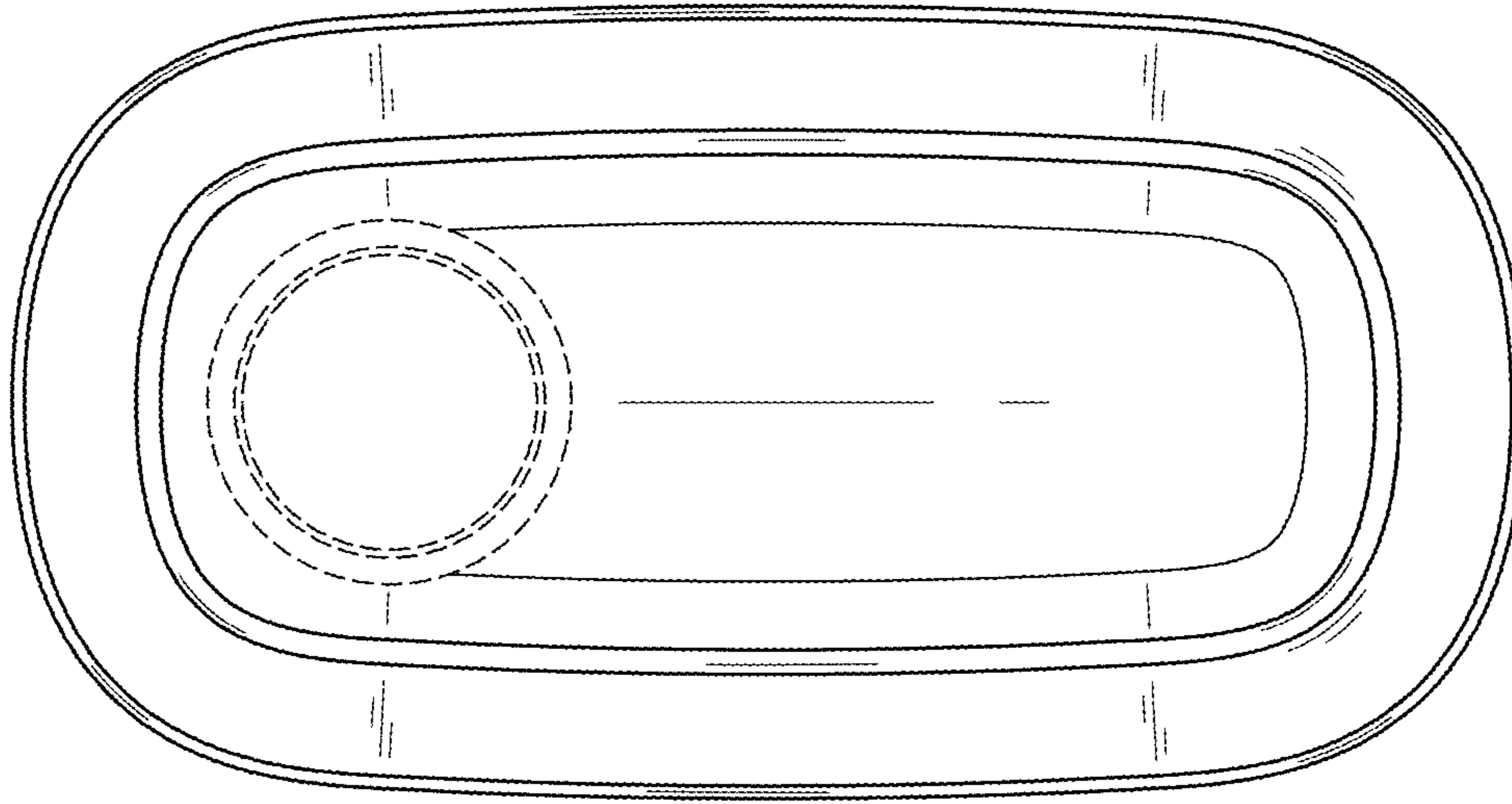


FIG. 6

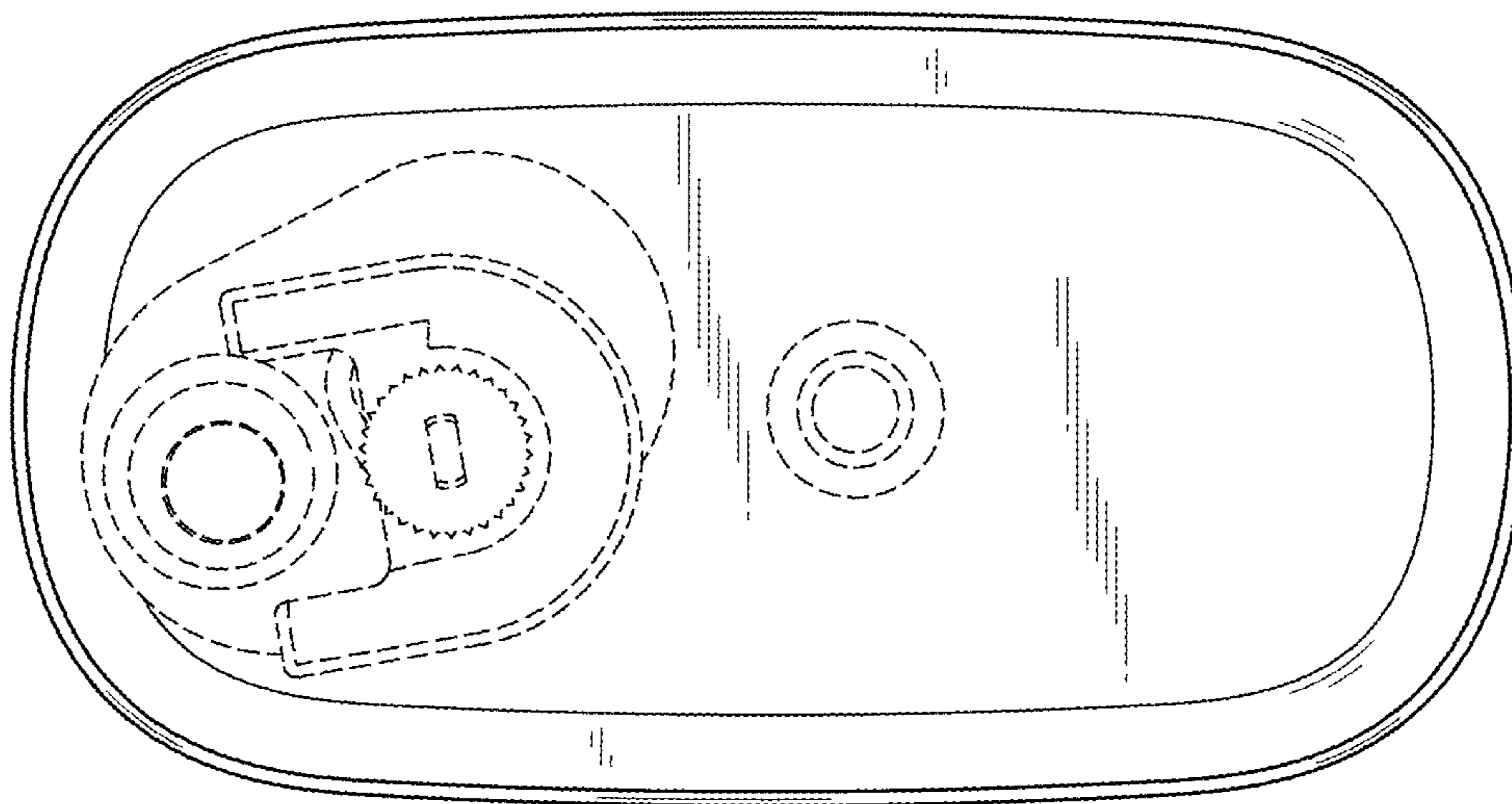


FIG. 7