



US00D987395S

(12) **United States Design Patent** (10) **Patent No.:** **US D987,395 S**  
**Yao et al.** (45) **Date of Patent:** **\*\* May 30, 2023**

(54) **CUTTING WHEEL FOR ELECTRIC CAN OPENER**  
(71) Applicant: **KITCHEN MAMA LLC**, Wilmington, DE (US)  
(72) Inventors: **Ching-Hsiu Yao**, Taipei (TW); **Shih-Chuan Chuang**, Taipei (TW); **Mao-Xi Liu**, Taipei (TW)  
(73) Assignee: **KITCHEN MAMA LLC**, Wilmington, DE (US)  
(\*\*) Term: **15 Years**  
(21) Appl. No.: **29/763,424**  
(22) Filed: **Dec. 22, 2020**  
(51) **LOC (14) Cl.** ..... **07-99**  
(52) **U.S. Cl.**  
USPC ..... **D8/33; D8/36**  
(58) **Field of Classification Search**  
USPC ..... D8/33, 34, 36, 40, 18, 41, 37; D9/437  
CPC .... B67B 7/30; B67B 7/34; B67B 7/38; B67B 7/32; B67B 7/44; B67B 7/164; B67B 7/162; B67B 7/20; B67B 7/14; B67B 7/18; B67B 2007/303; B26B 25/005; B26B 29/063; A47G 23/0266; B65D 17/521  
See application file for complete search history.

6,058,613 A \* 5/2000 So ..... B67B 7/34 30/418  
D442,044 S \* 5/2001 Juhlin ..... D8/40  
D503,598 S \* 4/2005 So ..... D8/39  
D801,141 S \* 10/2017 Hollinger ..... D8/36  
2003/0121162 A1\* 7/2003 So ..... B67B 7/34 30/417  
2012/0005907 A1\* 1/2012 Peedell ..... B67B 7/34 30/418  
2022/0017344 A1\* 1/2022 Waltenspül ..... B67B 7/34

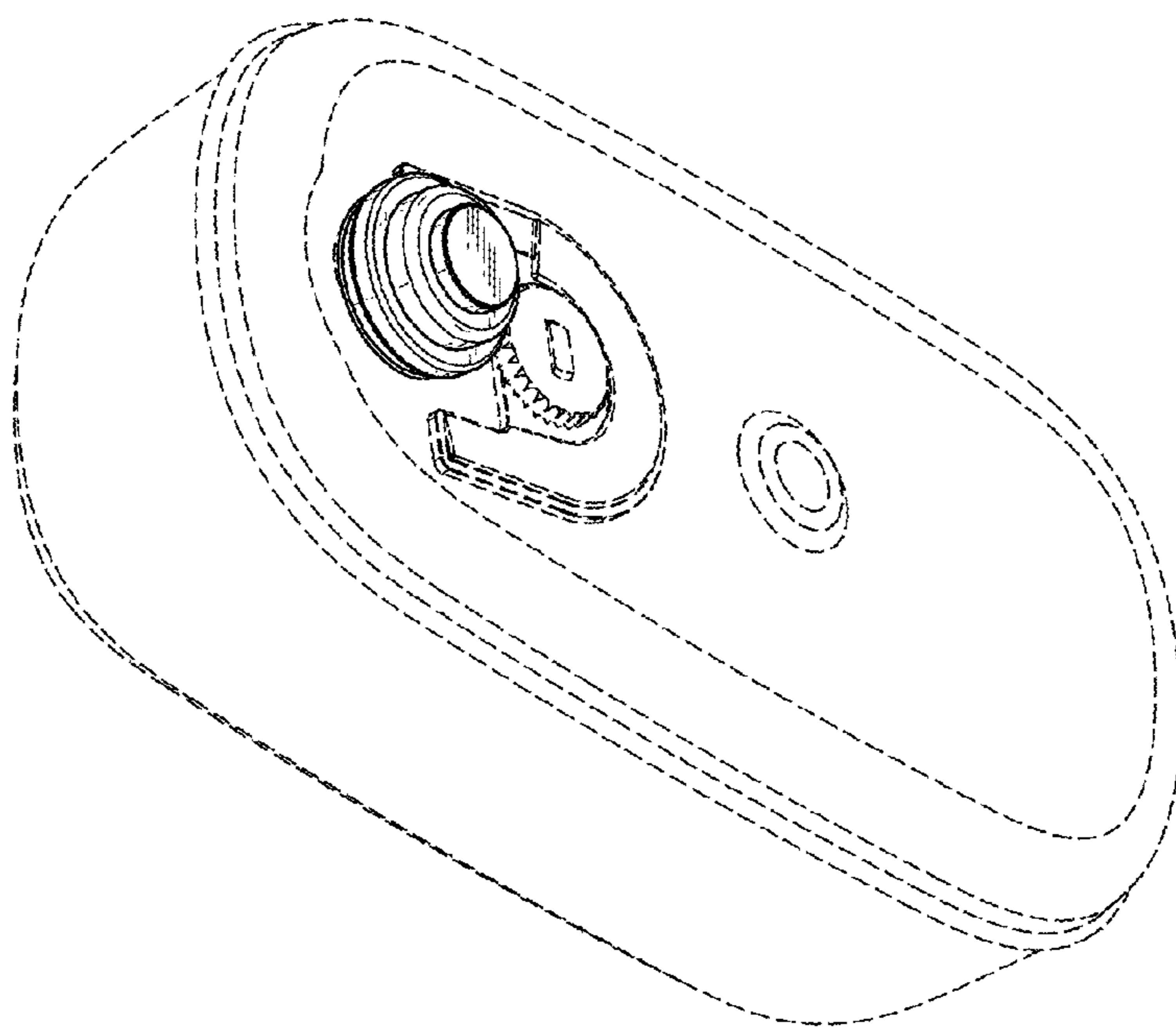
\* cited by examiner  
*Primary Examiner* — Calvin E Vansant  
*Assistant Examiner* — Benjamin Lucas Gray  
(74) *Attorney, Agent, or Firm* — Birch, Stewart, Kolasch & Birch, LLP

(57) **CLAIM**  
The ornamental design for a cutting wheel for electric can opener, as shown and described.

**DESCRIPTION**  
FIG. 1 is a first perspective view of a cutting wheel for electric can opener showing the new design; FIG. 2 is a front elevational view thereof; FIG. 3 is a rear elevational view thereof; FIG. 4 is a left side elevational view thereof; FIG. 5 is a right side elevational view thereof; FIG. 6 is a top plan view thereof; FIG. 7 is a bottom plan view thereof; FIG. 8 is a second perspective view thereof; and, FIG. 9 is an enlarged elevational view of a representative corner of the electric can opener.  
The broken lines in the figures show portions of the cutting wheel for electric can opener that form no part of the claimed design.

**1 Claim, 5 Drawing Sheets**

(56) **References Cited**  
U.S. PATENT DOCUMENTS  
5,181,322 A \* 1/1993 Koo ..... B67B 7/34 30/421  
5,347,720 A \* 9/1994 Pereira ..... B67B 7/34 30/422  
D406,026 S \* 2/1999 So ..... D8/39



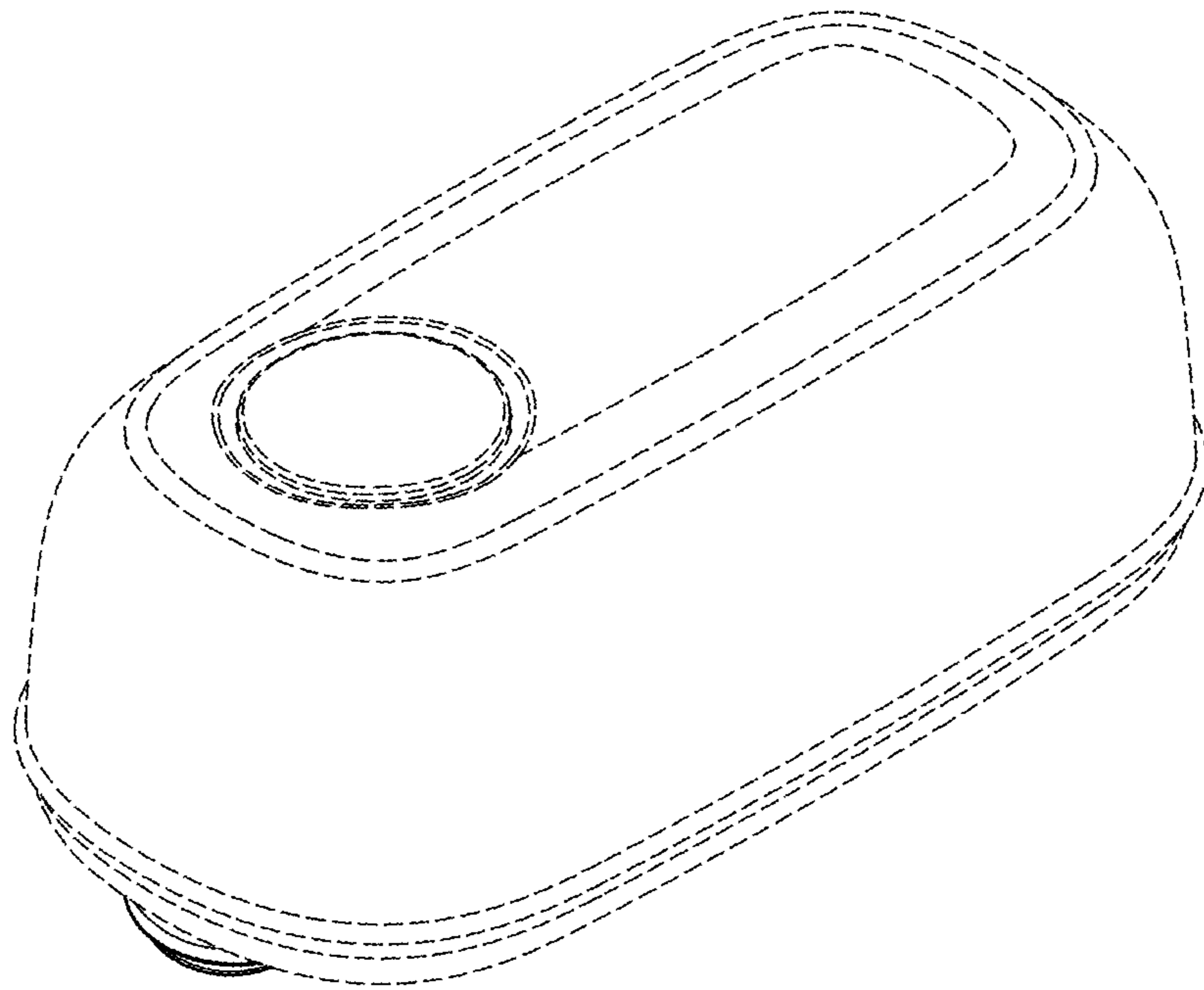


FIG. 1

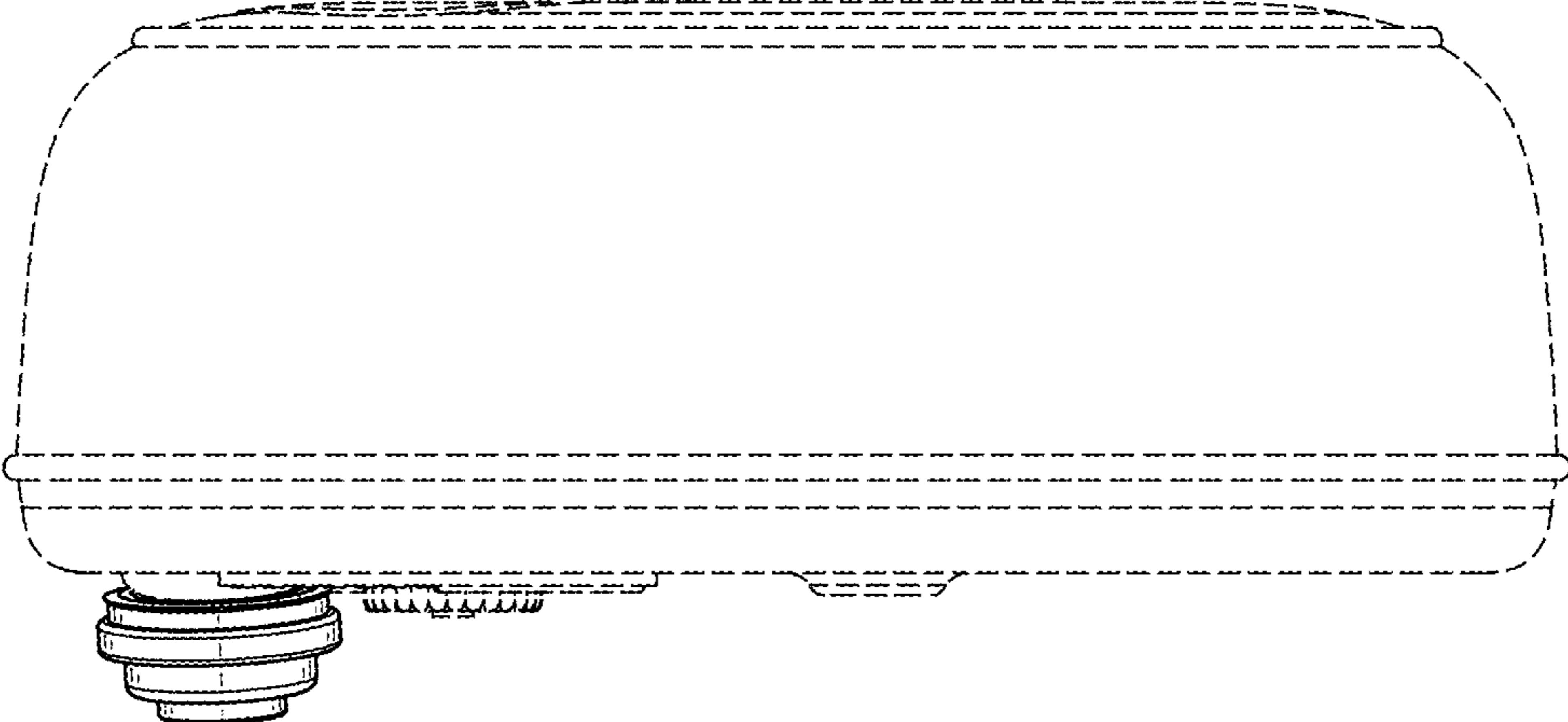


FIG. 2

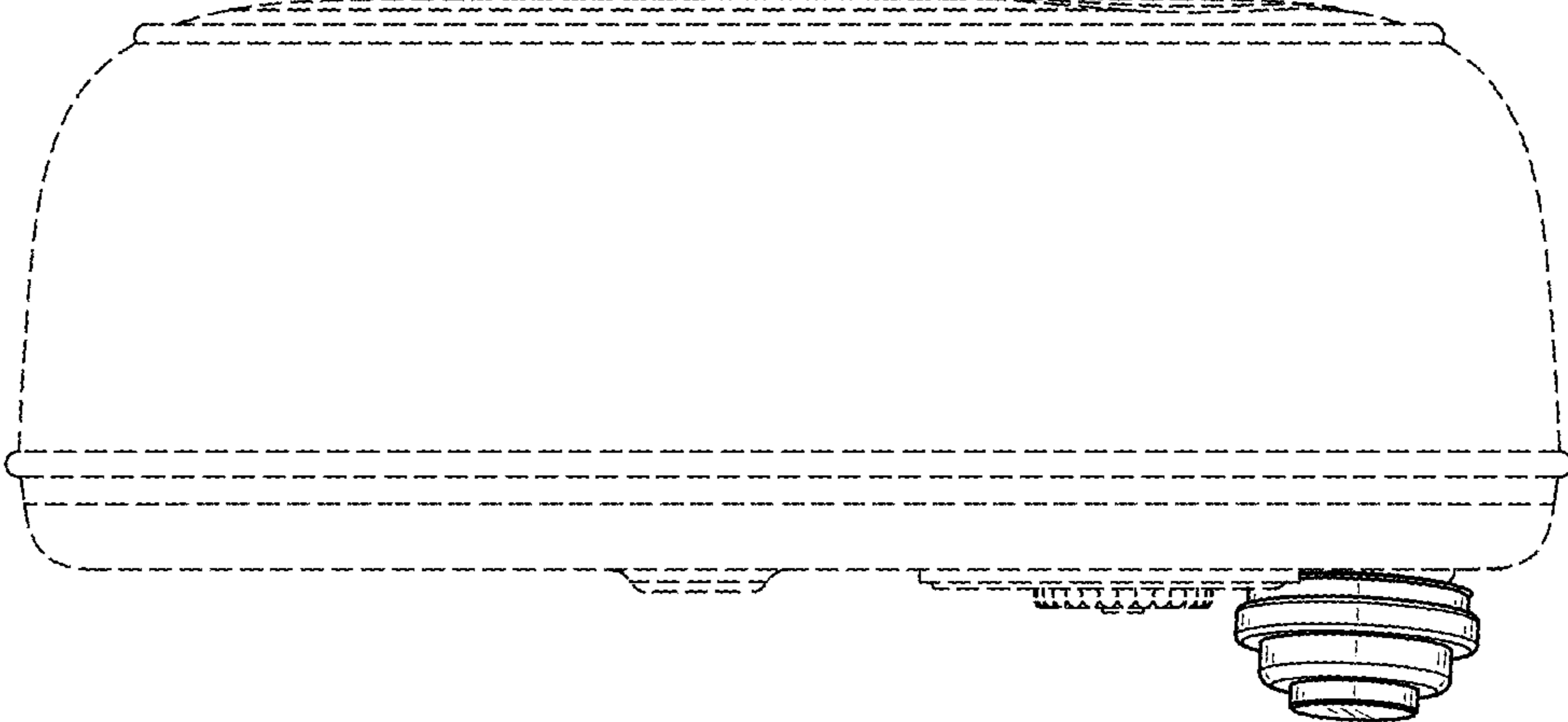


FIG. 3

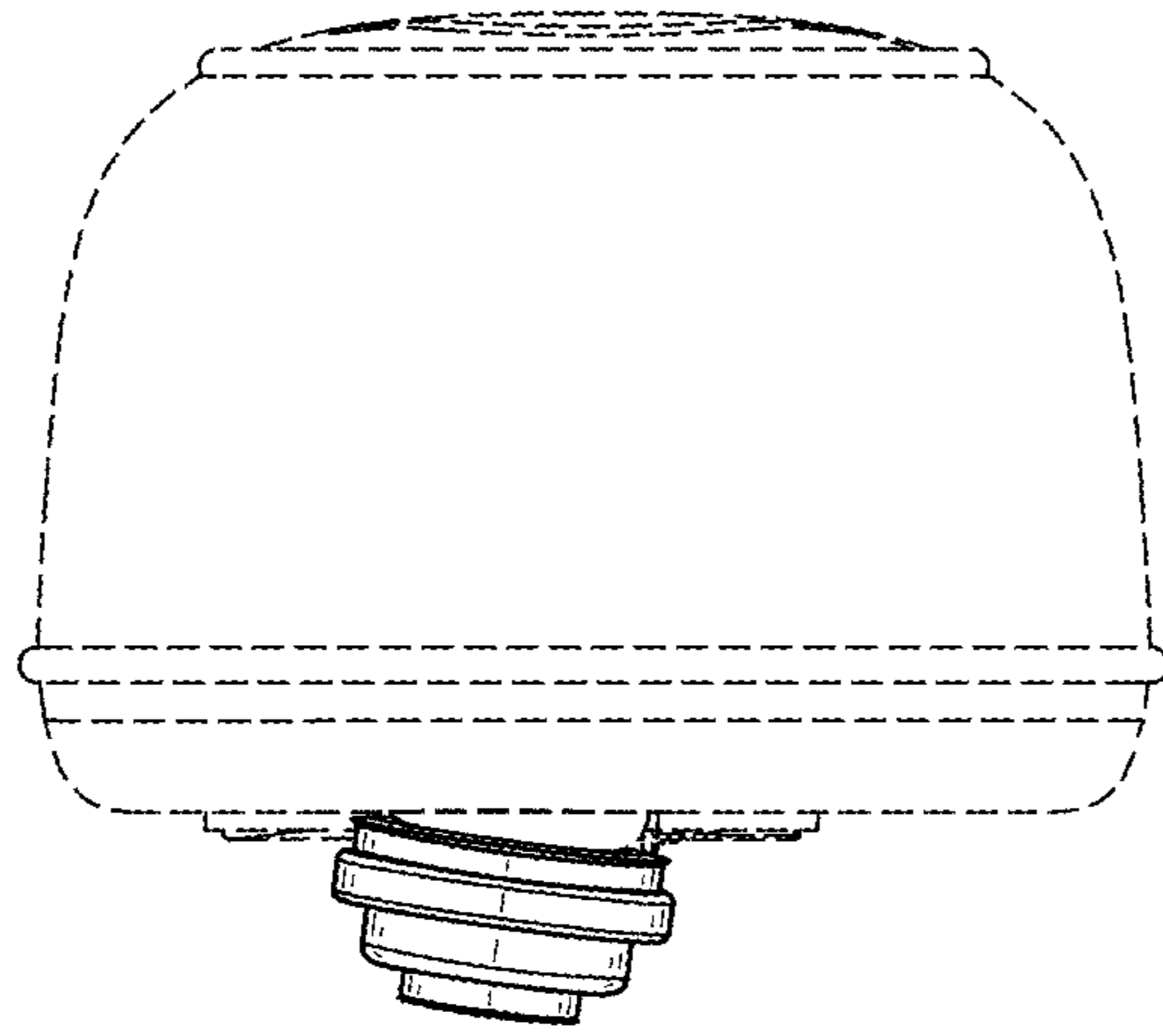


FIG. 4

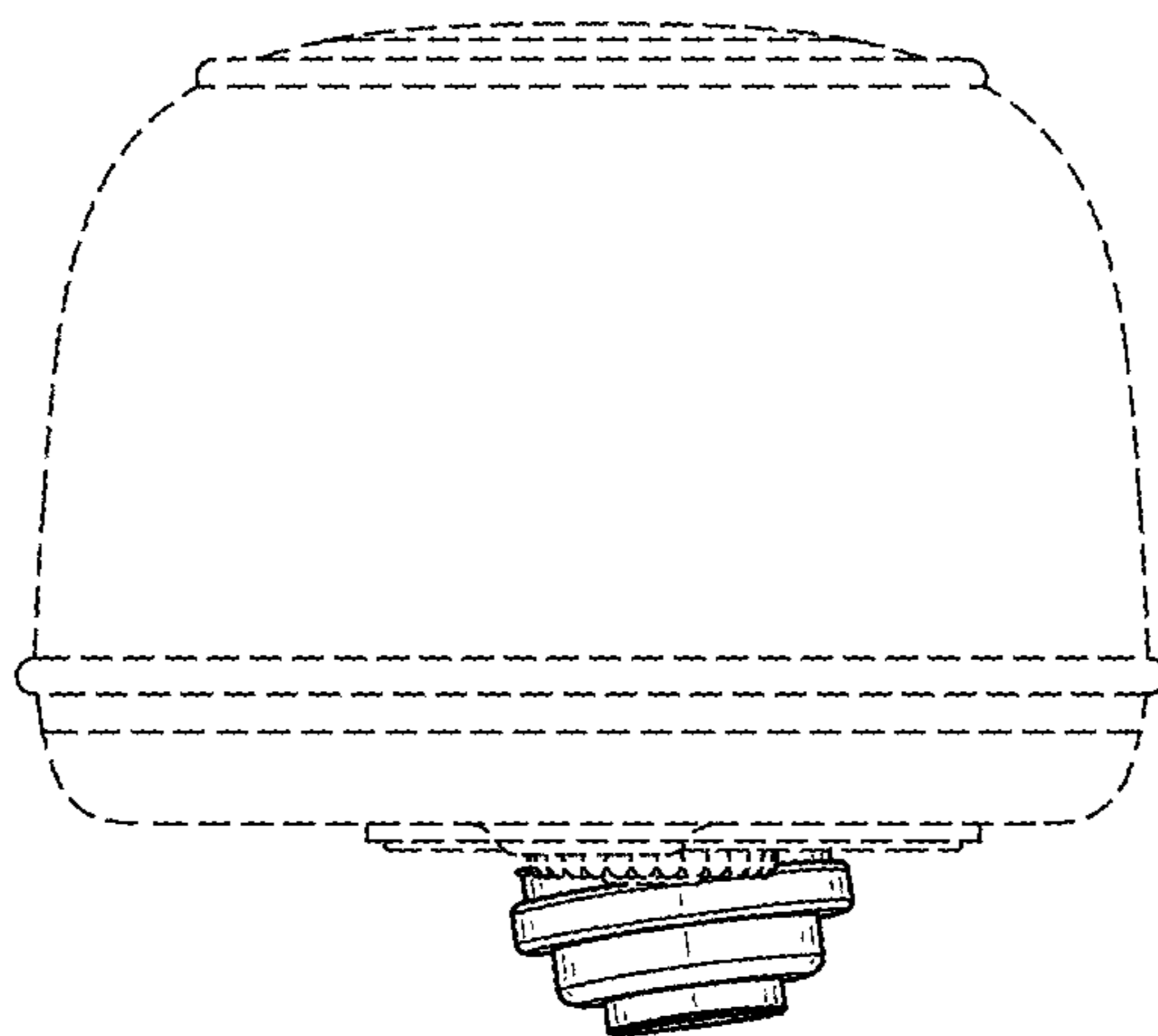


FIG. 5

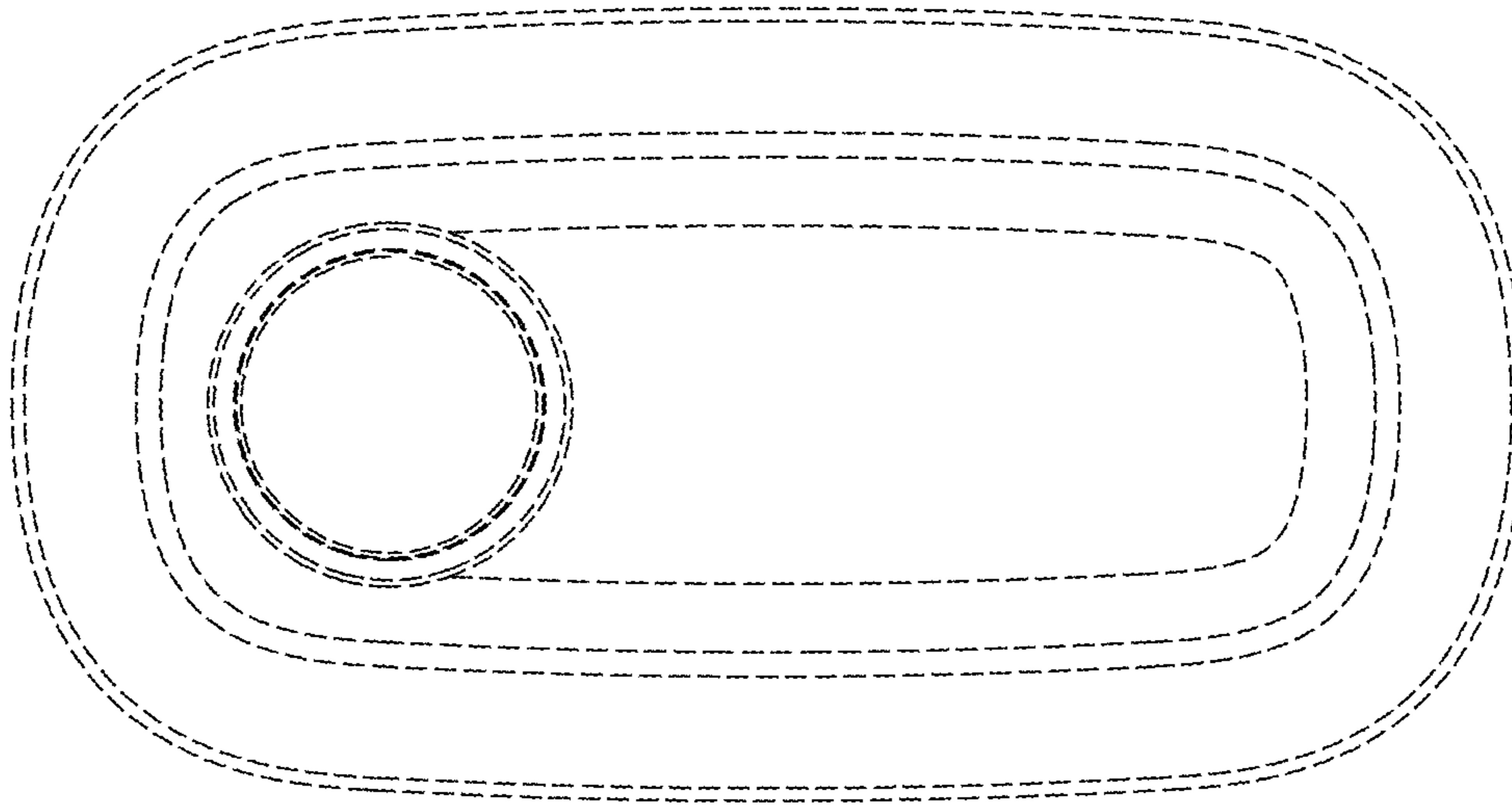


FIG. 6

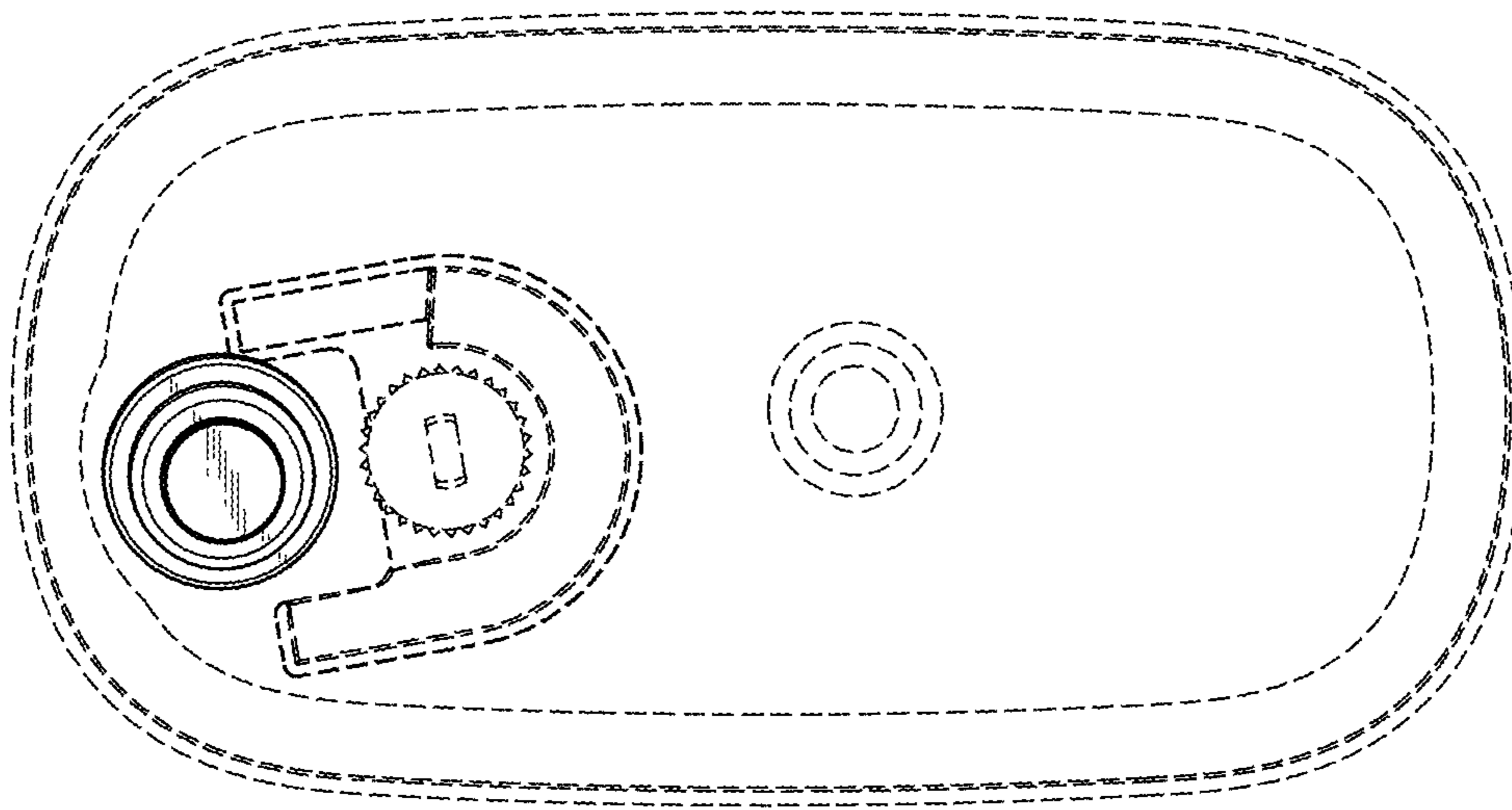


FIG. 7

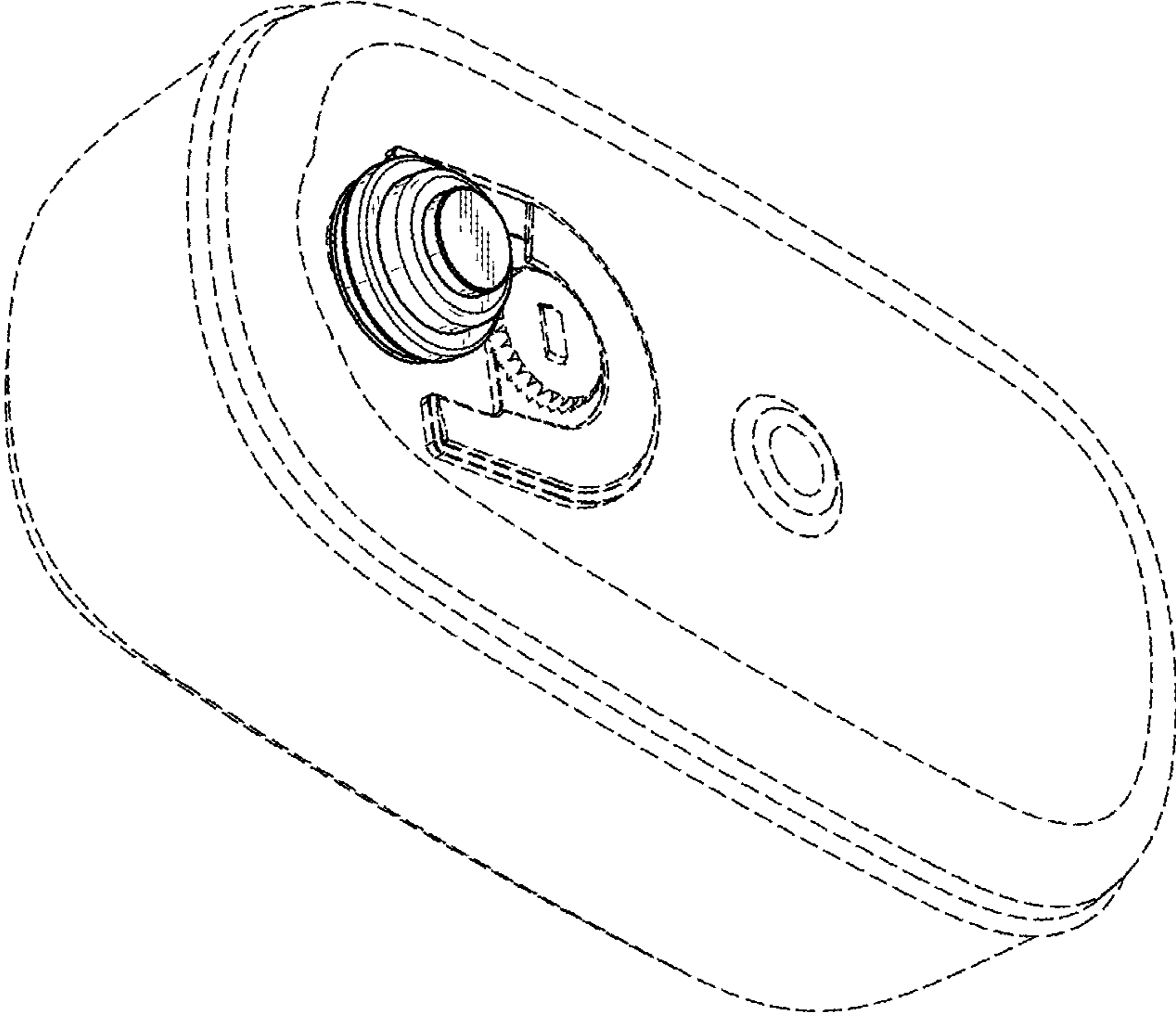


FIG. 8

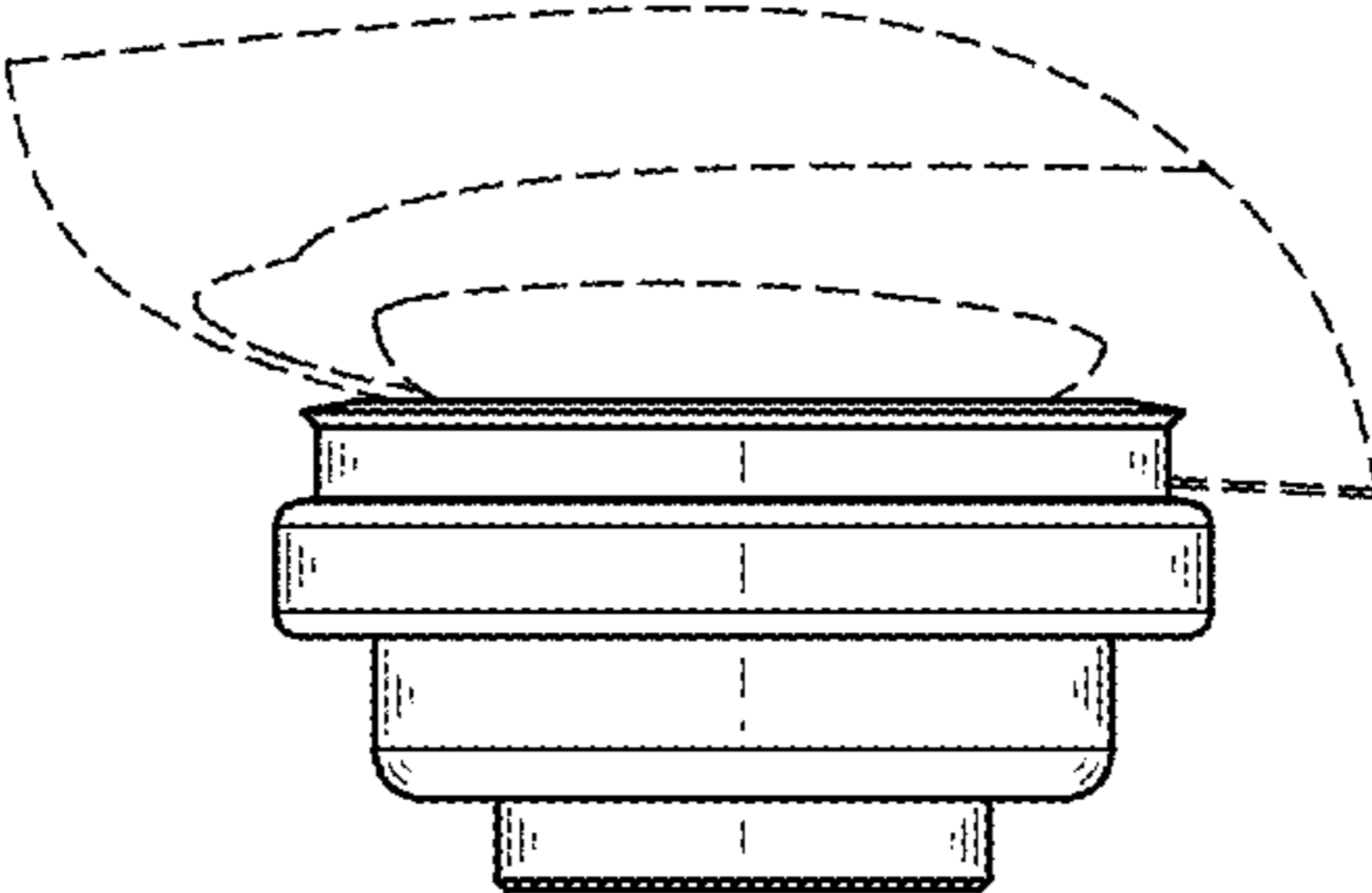


FIG. 9