



US00D987394S

(12) **United States Design Patent** (10) **Patent No.:** **US D987,394 S**
Cyborksi (45) **Date of Patent:** **** *May 30, 2023**

(54) **RATCHET**

- (71) Applicant: **Snap-on Incorporated**, Kenosha, WI (US)
- (72) Inventor: **David A. Cyborksi**, Kenosha, WI (US)
- (73) Assignee: **Snap-on Incorporated**, Kenosha, WI (US)
- (*) Notice: This patent is subject to a terminal disclaimer.
- (**) Term: **15 Years**

- (21) Appl. No.: **29/733,543**
- (22) Filed: **May 4, 2020**
- (51) **LOC (14) Cl.** **08-05**
- (52) **U.S. Cl.**
USPC **D8/61; D8/25**
- (58) **Field of Classification Search**
USPC D8/14, 21, 24-27, 29, 51, 59, 107, 61;
D24/133, 147; 81/57.13, 57.39, 60
CPC B25B 21/004; B25B 13/46; B25B 13/463
See application file for complete search history.

(56) **References Cited**

U.S. PATENT DOCUMENTS

D111,026	S	*	8/1938	Hosford	D8/DIG. 8
D131,658	S	*	3/1942	Decker	D8/61
D131,659	S	*	3/1942	Decker	D8/61
4,184,552	A	*	1/1980	Anderson	B25B 21/02 173/93.5
D289,135	S	*	4/1987	Doman	D8/25
D316,216	S	*	4/1991	Gierke	D8/61
D323,603	S	*	2/1992	Fu	B25B 23/1427 D8/61
D334,124	S	*	3/1993	Izumisawa	D8/61
D334,125	S	*	3/1993	Izumisawa	D8/61
D335,808	S	*	5/1993	Bruno	D8/61
5,231,901	A	*	8/1993	Putney	B25B 21/004 81/57.39
5,251,706	A	*	10/1993	Evans	B25B 21/004 173/217

(Continued)

OTHER PUBLICATIONS

“3/8” Cordless Ratchet Wrench Set, Prostormer 12V Electric Ratchet-Tool Kit”; amazon.com; Nov. 30, 2019; accessed Apr. 12, 2022; URL:<https://www.amazon.com/dp/B07X6D66Q4> (Year: 2019).*
(Continued)

Primary Examiner — Rachel A. Voorhies
Assistant Examiner — Benjamin D. Wannemacher
(74) *Attorney, Agent, or Firm* — Seyfarth Shaw LLP

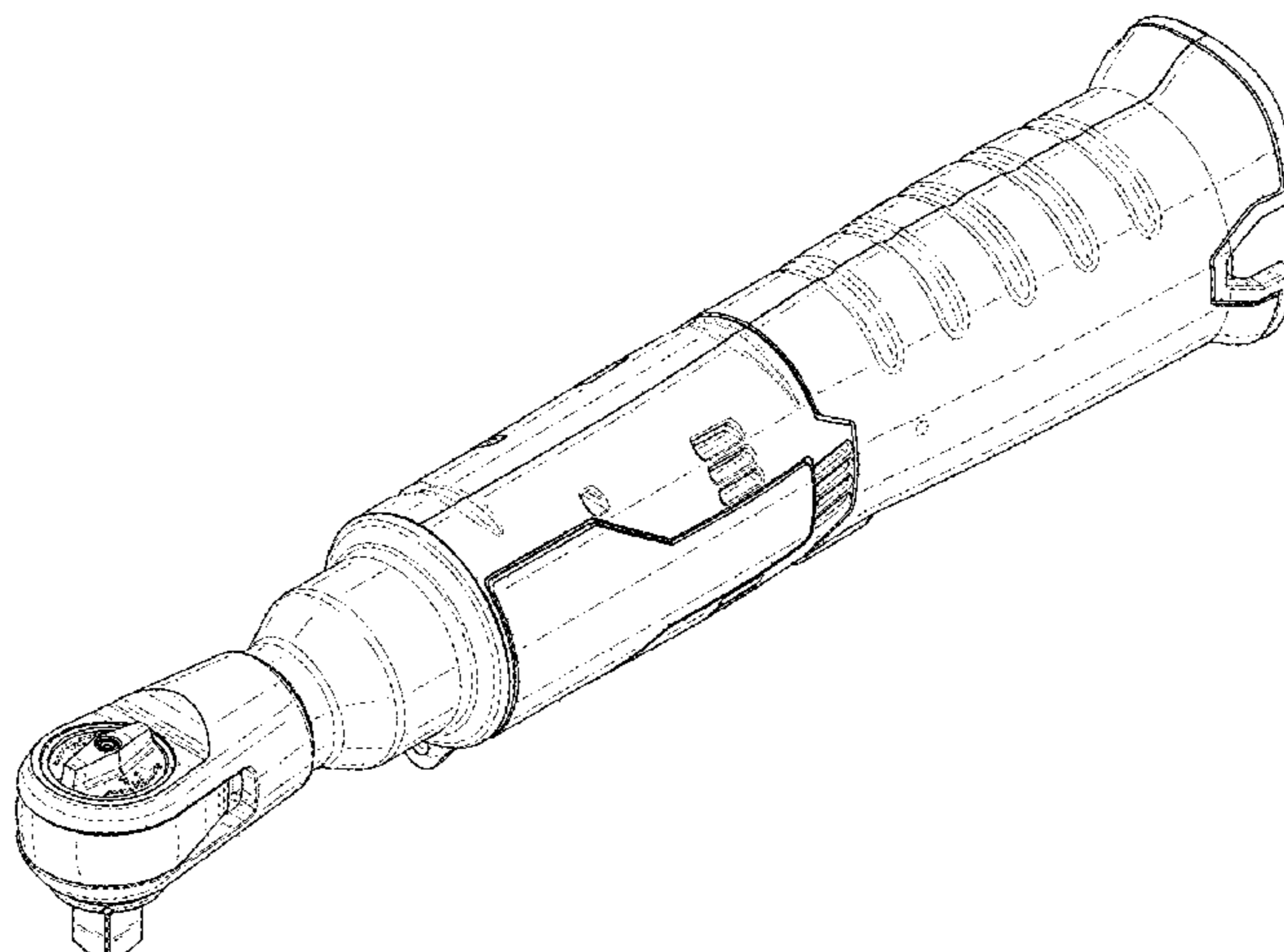
(57) **CLAIM**

The ornamental design for a ratchet, as shown and described.

DESCRIPTION

FIG. 1 is a perspective view of a ratchet, according to an embodiment of the invention;
FIG. 2 is a front end view of the ratchet of FIG. 1;
FIG. 3 is a rear end view of the ratchet of FIG. 1;
FIG. 4 is a right side view of the ratchet of FIG. 1;
FIG. 5 is a left side view of the ratchet of FIG. 1;
FIG. 6 is a top side view of the ratchet of FIG. 1;
FIG. 7 is a bottom side view of the ratchet of FIG. 1;
FIG. 8 is a perspective view of a ratchet, according to another embodiment of the invention;
FIG. 9 is a front end view of the ratchet of FIG. 8;
FIG. 10 is a rear end view of the ratchet of FIG. 8;
FIG. 11 is a right side view of the ratchet of FIG. 8;
FIG. 12 is a left side view of the ratchet of FIG. 8;
FIG. 13 is a top side view of the ratchet of FIG. 8; and,
FIG. 14 is a bottom side view of the ratchet of FIG. 8.
The dashed broken lines are for the purpose of illustrating portions of the ratchet and form no part of the claimed design.

1 Claim, 12 Drawing Sheets



(56)

References Cited

U.S. PATENT DOCUMENTS

D352,645 S * 11/1994 Ichikawa B25B 23/147
D8/61
D380,131 S * 6/1997 Sung B25F 5/02
D8/25
D380,949 S * 7/1997 Sung B25B 21/004
D8/25
D387,960 S * 12/1997 Sung B25B 13/462
D8/25
D389,025 S * 1/1998 Sung B25B 21/026
D8/25
5,992,540 A * 11/1999 Smolinski F01C 13/02
173/171
D458,524 S * 6/2002 Cheng B25F 5/00
D8/51
6,457,387 B1 * 10/2002 Hu B25B 13/463
81/62
D508,387 S * 8/2005 Hsu B25B 23/0007
D8/61
D509,585 S * 9/2005 Kling D24/111
D519,799 S * 5/2006 Izumisawa D8/25
D525,502 S * 7/2006 Chen D8/61
D554,460 S * 11/2007 Enriquez D8/61
D567,045 S * 4/2008 Chen D8/61
D572,554 S * 7/2008 Chen D8/61
D670,987 S * 11/2012 Aglassinger D8/61
D670,988 S * 11/2012 Aglassinger D8/61
D701,440 S * 3/2014 Naksen D8/61
D889,223 S * 7/2020 Liu D8/25
D936,438 S * 11/2021 Cyborski D8/25
D940,521 S * 1/2022 Cyborski D8/25
11,213,937 B1 * 1/2022 Rajzer F21V 33/0084
D950,337 S * 5/2022 Zaß D8/61
D950,338 S * 5/2022 Yang D8/61
11,465,267 B2 * 10/2022 Schiltz B25B 21/004
2008/0190246 A1 * 8/2008 Hsu B25B 23/147
81/57.13
2014/0102260 A1 * 4/2014 Pusateri F16H 19/04
173/1
2014/0338503 A1 * 11/2014 Beer B25F 5/02
173/217
2015/0059531 A1 * 3/2015 Ely B25B 21/004
81/57.39
2015/0165603 A1 * 6/2015 Cheng B25B 21/026
81/464
2019/0126450 A1 * 5/2019 Gauthier B25B 13/462
2019/0344410 A1 * 11/2019 Hsieh B25B 23/1427
2019/0351534 A1 * 11/2019 Hsu B25B 21/02
2020/0023506 A1 * 1/2020 Justis B25F 5/00

2020/0023507 A1 * 1/2020 Schiltz B23G 1/32
2021/0331300 A1 * 10/2021 Schulz B25B 23/0007
2022/0069662 A1 * 3/2022 Cyborski H02K 9/16

OTHER PUBLICATIONS

“New Snap On Cordless Ratchet CT762I!! First impressions”; Resto Rods; Youtube.com; Nov. 9, 2019; accessed Apr. 13, 2022; URL:< <https://www.youtube.com/watch?v=6IPMkNjoV0E> > (Year: 2019).*

“Durofix RW1216-3P G12 Series 12V Li-ion Cordless 3/8" 65 ft-lbs. Extended Ratchet Wrench Tool Kit with Canvas Bag”; amazon.com; Dec. 9, 2020; accessed Apr. 12, 2022; URL:< <https://www.amazon.com/Durofix-RW1216-3P-Cordless-ft-lbs-Extended/dp/B08Q3BFSQD?th=1> > (Year: 2020).*

“ACDelco ARW1218-K18 G12 Series 12V Li-ion Cordless 3/8" Extended Ratchet Wrench & 1/4" Ratchet Wrench Combo Tool Kit”; amazon.com; Oct. 2, 2020; accessed Apr. 12, 2022; URL:< <https://www.amazon.com/dp/B08K4J94KD/> > (Year: 2020).*

“Extended Cordless Ratchet Wrench, 3/8" 40 Ft-lbs 400 RPM 12V Long Reach Electric Ratchet Wrench Kit”; amazon.com; Jul. 5, 2020; accessed Apr. 12, 2022; URL:< <https://www.amazon.com/dp/B085ZWQVQK/?th=1> > (Year: 2020).*

Australian Design Examination Report No. 1 for corresponding Application No. 202015994 dated Jun. 13, 2021, 9 pages.

Australian Design Examination Report No. 1 for corresponding Application No. 202111229 dated Jun. 13, 2021, 9 pages.

“Snapon Electric Ratchets CTR761 vs The Brute CTR762,” Rustbelt Mechanic, YouTube.com, Nov. 5, 2019, accessed on Aug. 18, 2022, 1 page. URL: <https://www.youtube.com/watch?v=VulVh5xAMGY>.

“The Brute 14.4v 3/8" Microlithium Cordless Ratchet CTR762W1,” Snap-on TV, podbean.com, Nov. 14, 2019, accessed on Oct. 28, 2022, 1 page. URL: <https://snapontv.podbean.com/e/the-brute-144v-38-microlithium-cordless-ratchet-ctr762w1-snap-on-tools/>.

“14.4 Volt 3/8" MicroLithium Cordless Ratchet Kit No. CTR762K2,” Vehicle Service Pros, Mar. 24, 2020, accessed on Oct. 28, 2022, 1 page. URL: <https://www.vehicleservicepros.com/directory/tools/cordless-tools/cordless-ratchets/product/21131116/snapon-inc-144-volt-38-microlithium-cordlessd-ratchet-kit-no-ctr762k2>.

“Our newest 14.4V addition Brute cordless Ratchet,” Snap-on Tools, Facebook.com, Oct. 24, 2019, accessed on Aug. 18, 2022, 1 page URL: <https://www.facebook.com/snapontools/posts/10157706817228288>.

“The Brute 14.4v 3/8" Microlithium Cordless Ratchet CTR762W1,” Snap-on Tools, YouTube.com, Oct. 24, 2019, accessed on Oct. 28, 2022, 1 page. URL: <https://www.youtube.com/watch?v=25wRDhU1rnU>.

* cited by examiner

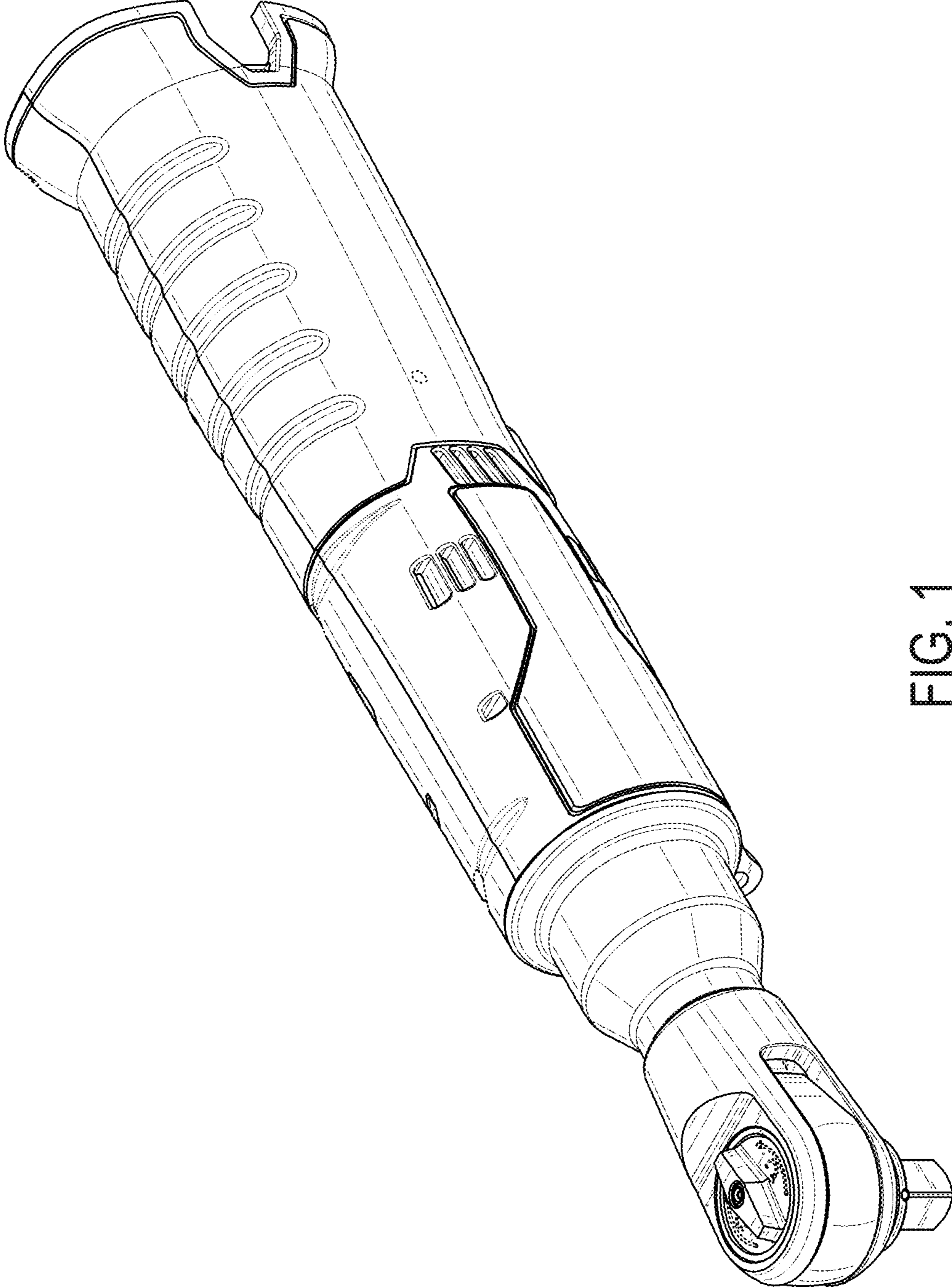


FIG. 1

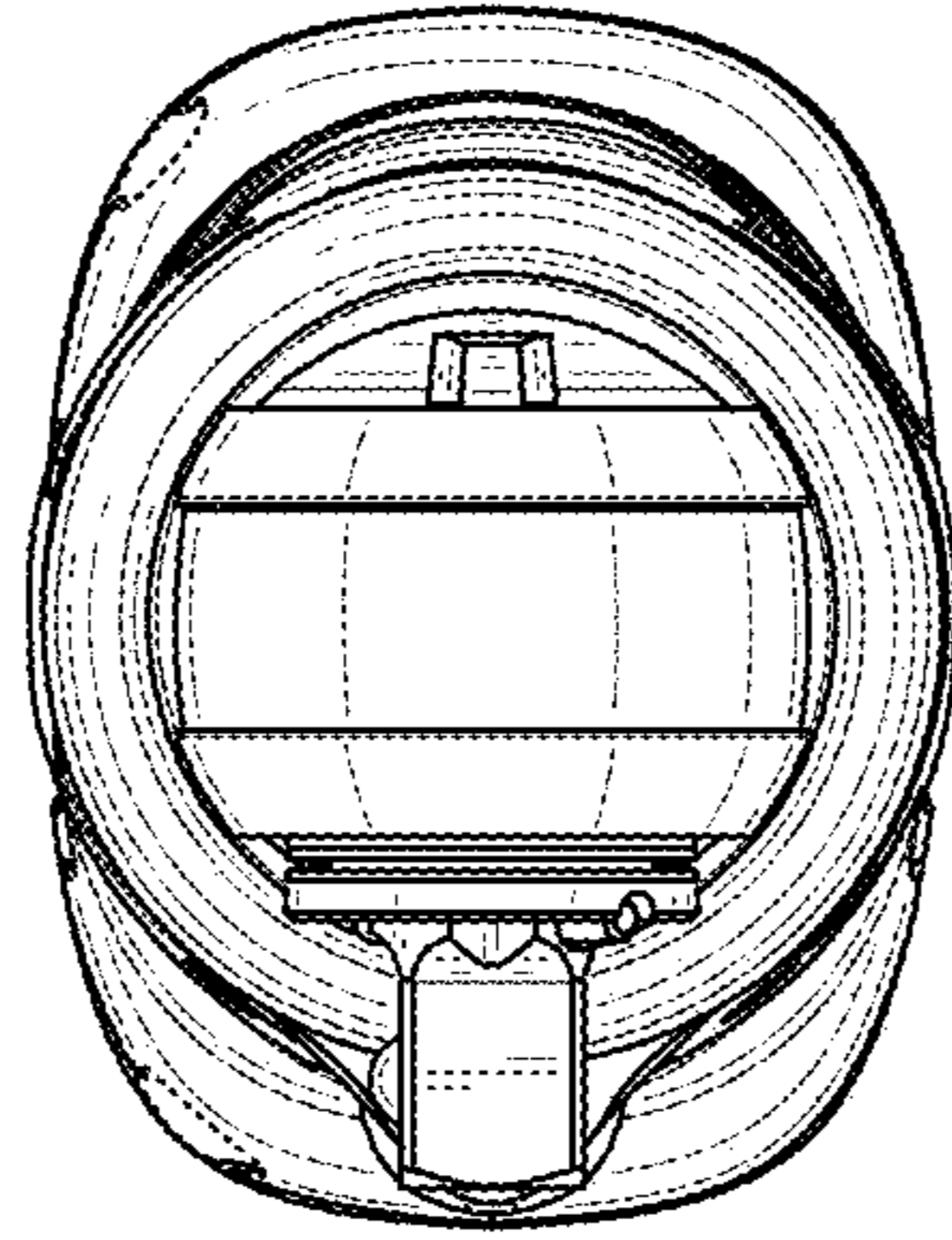


FIG. 2

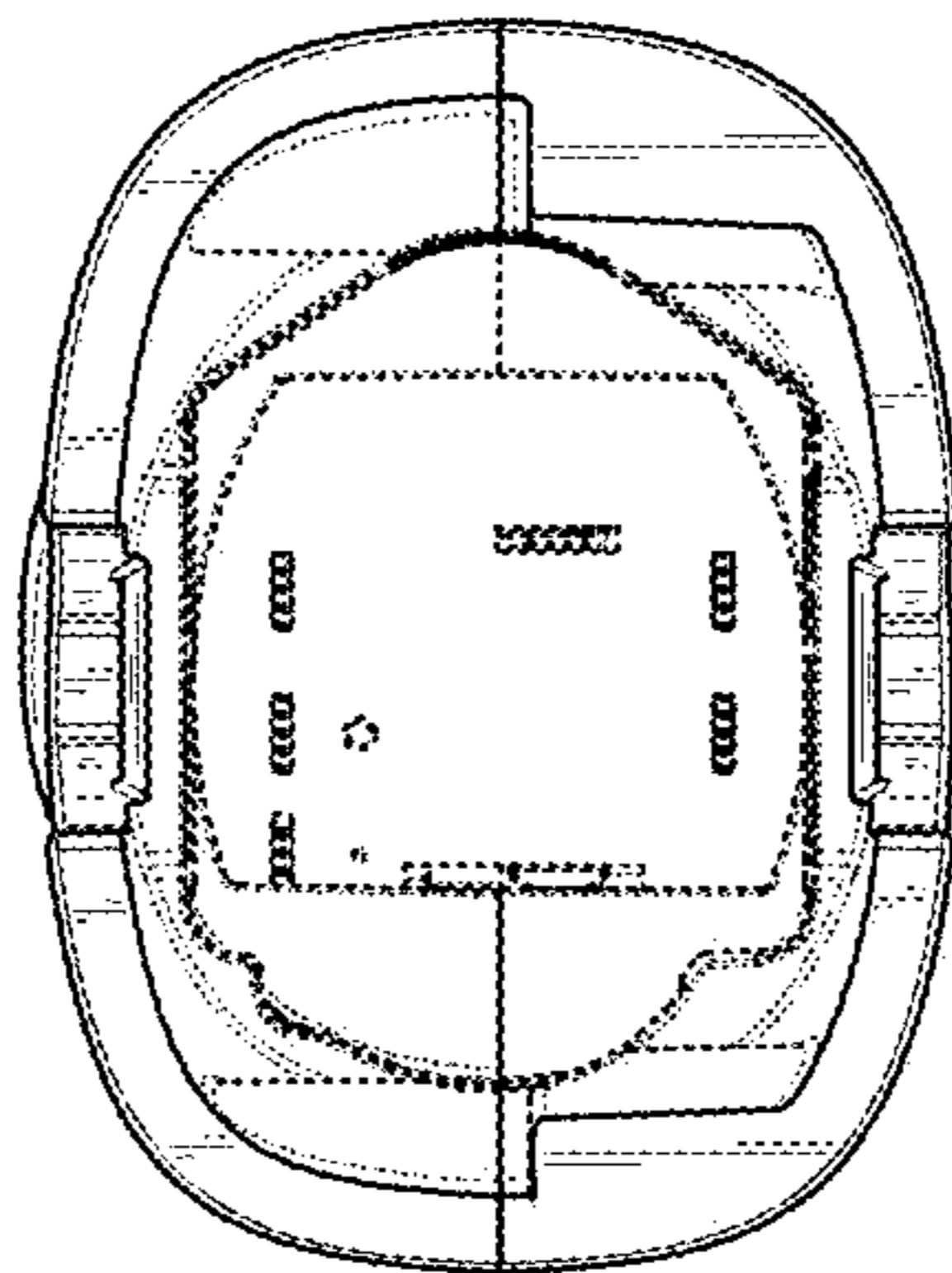


FIG. 3

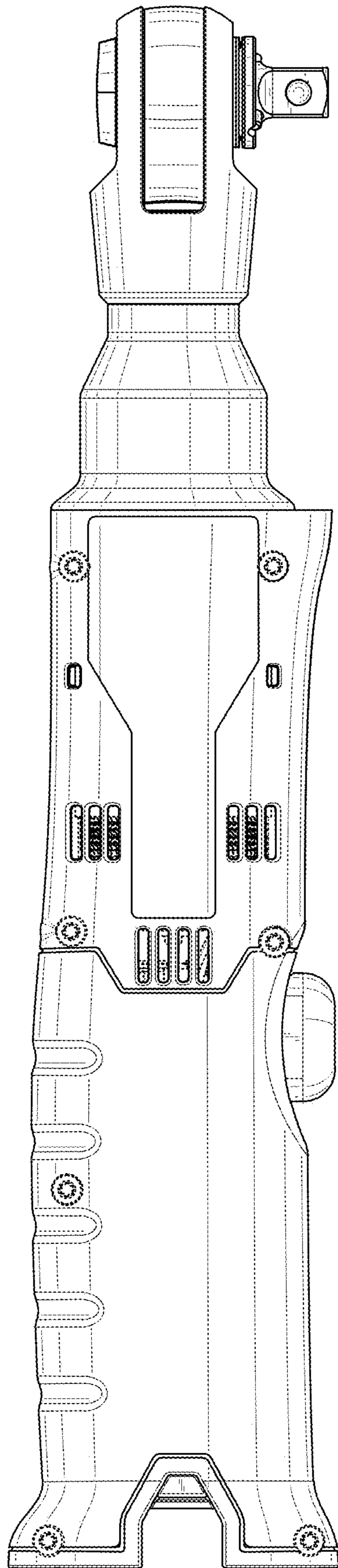


FIG. 4

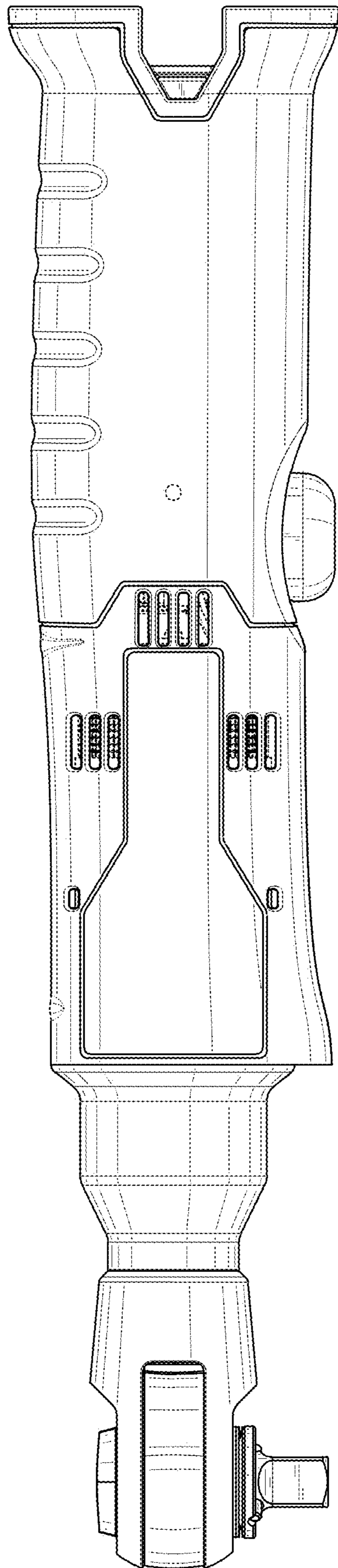


FIG. 5

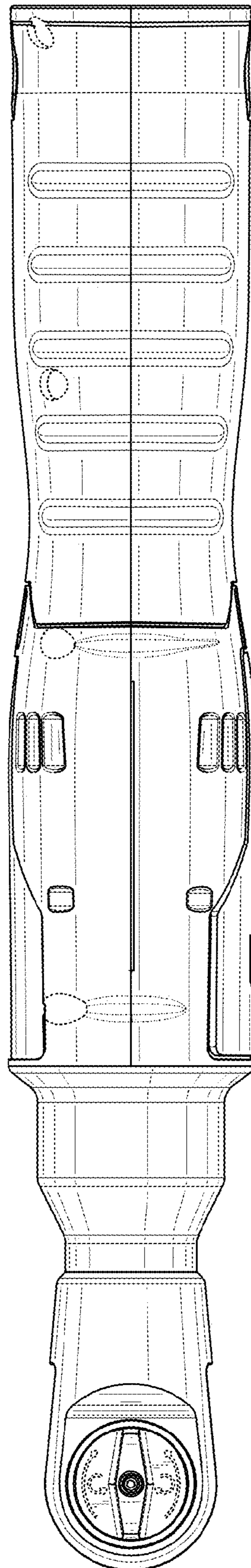


FIG. 6

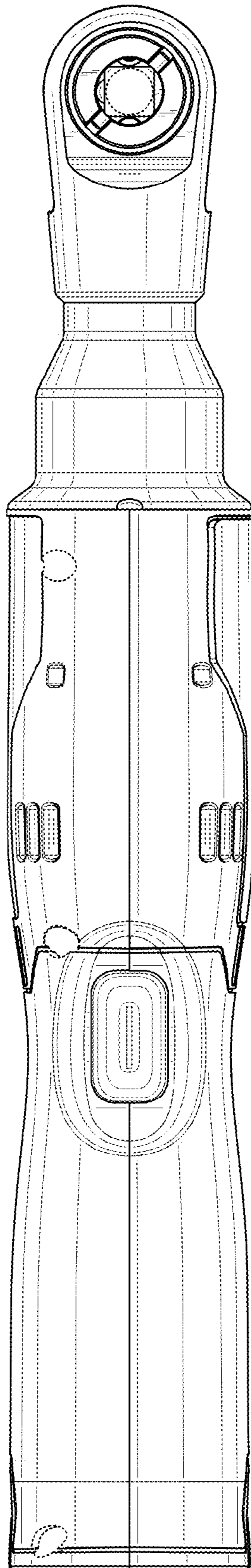


FIG. 7

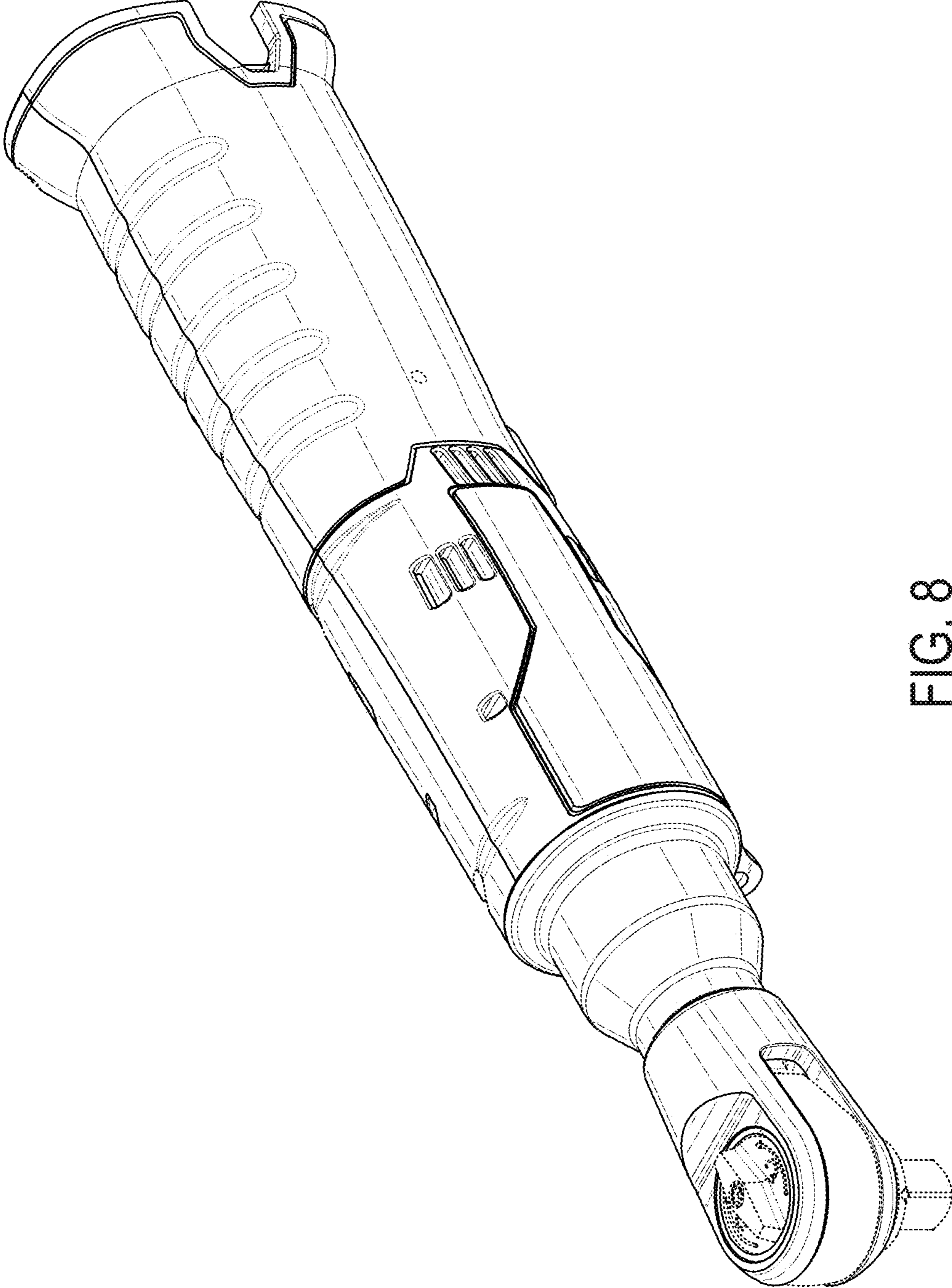


FIG. 8

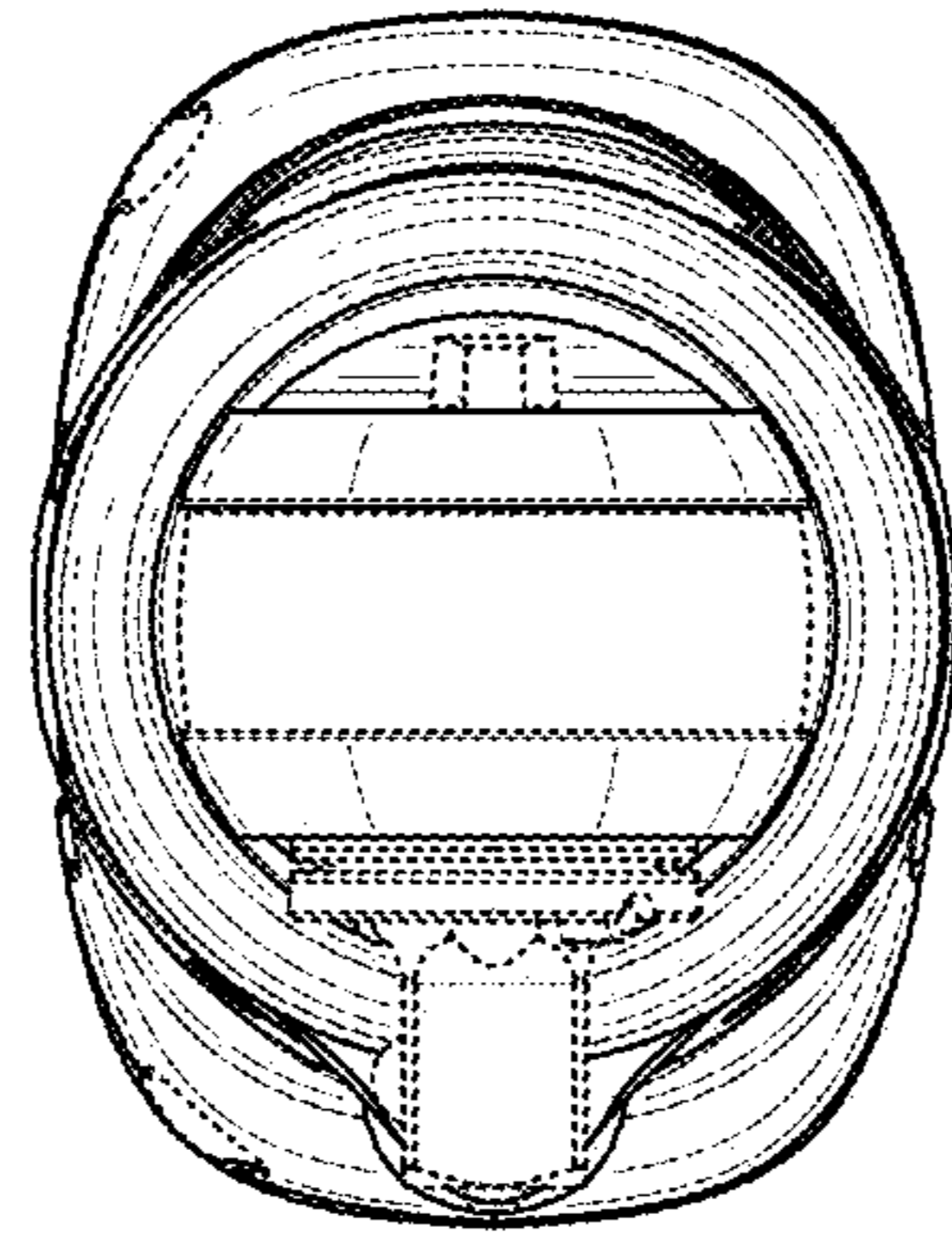


FIG. 9

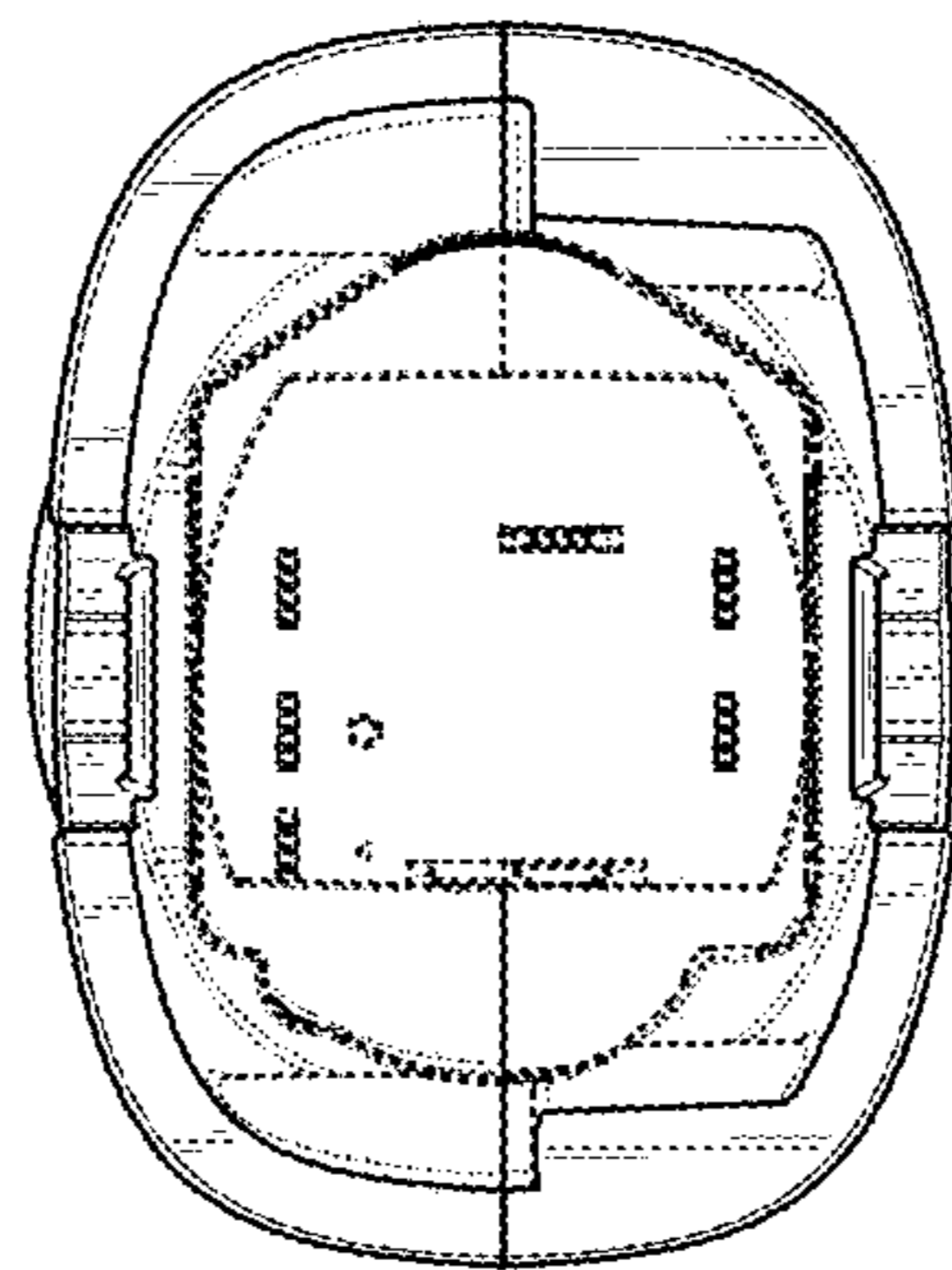


FIG. 10

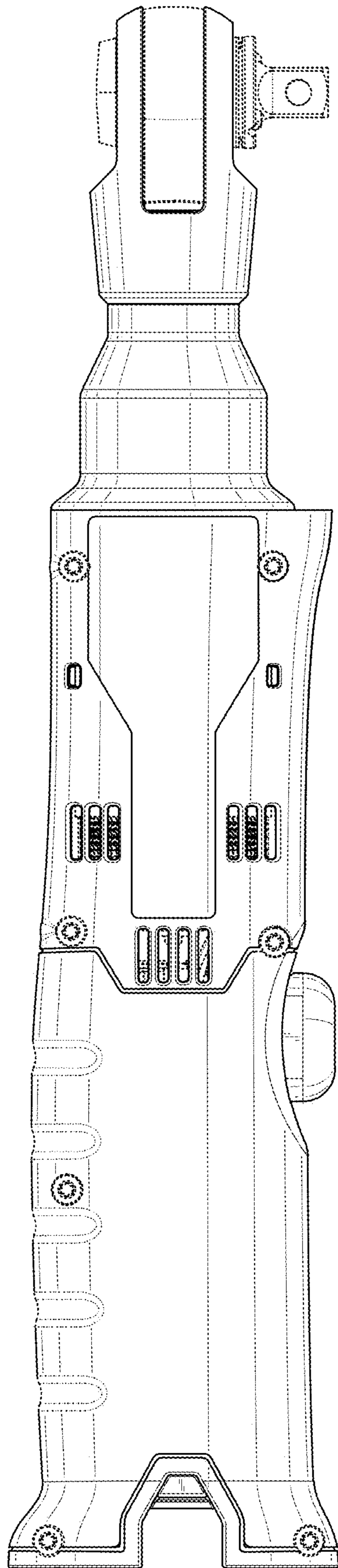


FIG. 11

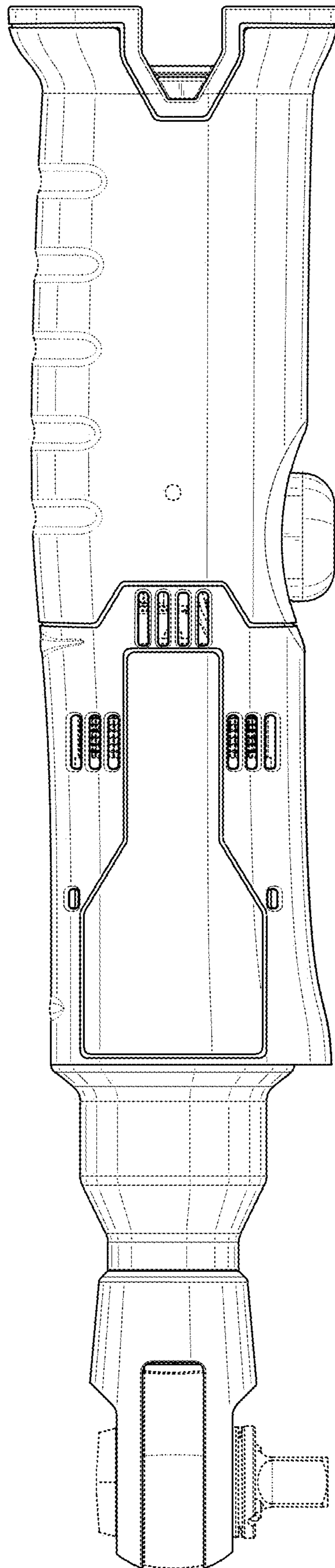


FIG. 12

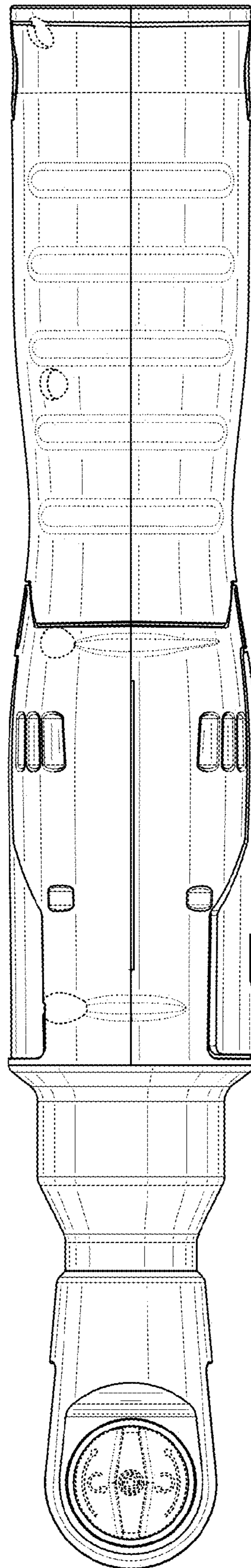


FIG. 13

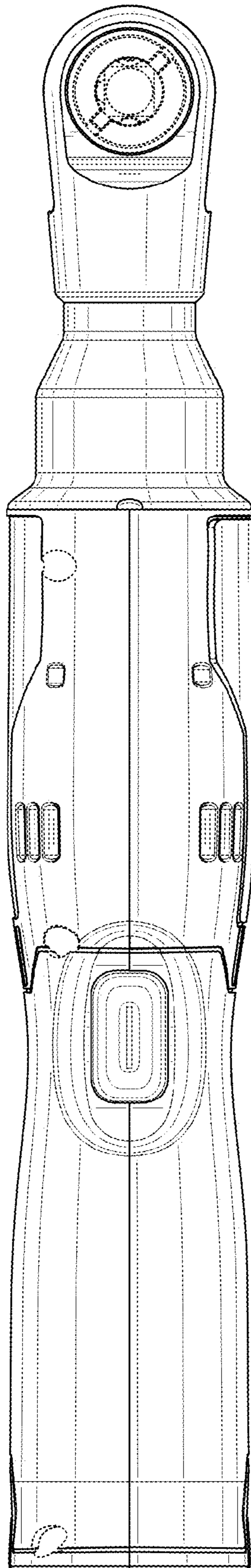


FIG. 14

UNITED STATES PATENT AND TRADEMARK OFFICE
CERTIFICATE OF CORRECTION

PATENT NO. : D987,394 S
APPLICATION NO. : 29/733543
DATED : May 30, 2023
INVENTOR(S) : David A. Cyborski

Page 1 of 1

It is certified that error appears in the above-identified patent and that said Letters Patent is hereby corrected as shown below:

On the Title Page

In Item (12) delete "Cyborksi" and insert -- Cyborski --

In Item (72) Inventor Name, change "David A. Cyborksi" to "David A. Cyborski"

Signed and Sealed this
Eleventh Day of June, 2024



Katherine Kelly Vidal
Director of the United States Patent and Trademark Office