



US00D987393S

(12) **United States Design Patent** (10) **Patent No.:** **US D987,393 S**
Hernandez, Jr. (45) **Date of Patent:** **** May 30, 2023**

(54) **RATCHET HANDLE**
(71) Applicant: **Alltrade Tools, LLC**, Cypress, CA (US)
(72) Inventor: **Hector R. Hernandez, Jr.**, Fullerton, CA (US)
(**) Term: **15 Years**
(21) Appl. No.: **29/788,591**
(22) Filed: **Jun. 29, 2021**
(51) **LOC (14) Cl.** **08-05**
(52) **U.S. Cl.**
USPC **D8/44**
(58) **Field of Classification Search**
USPC D8/44, 14, 51, 107
CPC B25B 25/00; B21F 9/00; B60P 7/0823;
B60P 7/083; B60P 7/0846; Y10T 24/21;
Y10T 24/2117
See application file for complete search history.

(56) **References Cited**
U.S. PATENT DOCUMENTS
D514,409 S * 2/2006 Kopp D8/44
D579,741 S * 11/2008 Selby D8/44
D639,626 S * 6/2011 Gangakhedkar D8/44
D657,217 S * 4/2012 Chang B60P 7/083
D8/44
D681,411 S * 5/2013 Qin D8/44
D686,894 S * 7/2013 Breeden B60P 7/083
D8/44
D818,330 S * 5/2018 Barrette D8/44
D861,448 S * 10/2019 Zhang B65B 13/22
D8/44
D970,993 S * 11/2022 Shao B60P 7/083
D8/44

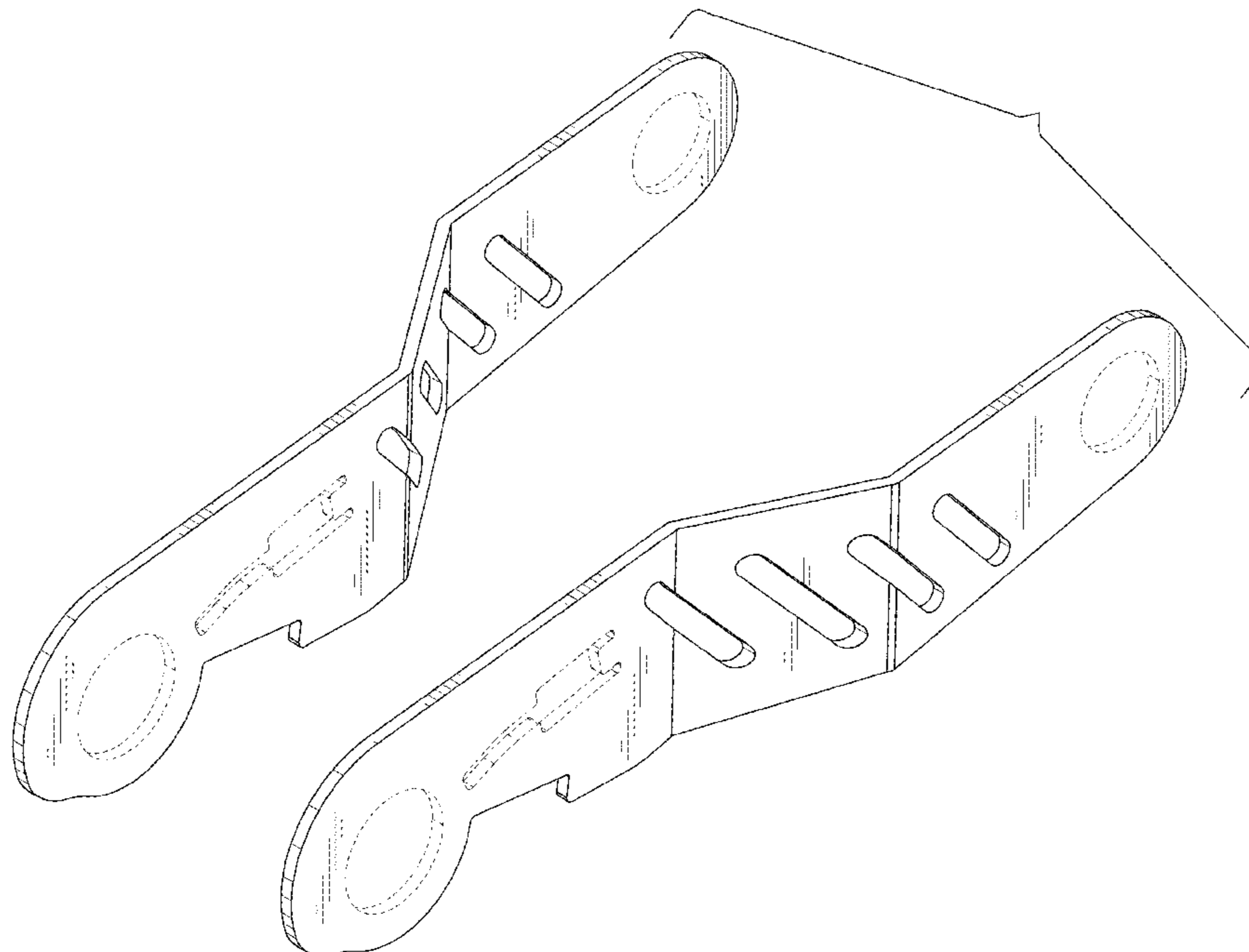
2009/0119892 A1* 5/2009 Breeden B60P 7/083
24/68 CD
2010/0263476 A1* 10/2010 Peschmann G05G 1/085
74/546
2010/0322737 A1* 12/2010 Huang B60P 7/083
410/100
2012/0167707 A1* 7/2012 Chang F16G 11/12
74/491
2018/0339637 A1* 11/2018 Hatcher B60P 7/083
2021/0179379 A1* 6/2021 Zhang B65B 13/22
2022/0142307 A1* 5/2022 Seader B60P 7/083
* cited by examiner

Primary Examiner — Philip S Hyder
(74) *Attorney, Agent, or Firm* — Fulwider Patton LLP

(57) **CLAIM**
The ornamental design for a ratchet handle, as shown and described.

DESCRIPTION
FIG. 1 is a top elevated perspective view of my ratchet handle showing my new design;;
FIG. 2 is a top view thereof;
FIG. 3 is a bottom view thereof;
FIG. 4 is a left, side view thereof;
FIG. 5 is a right side view thereof;
FIG. 6 is a back view thereof; and
FIG. 7 is a front view thereof; and,
FIG. 8 is a top elevated perspective view thereof, showing environmental structure in broken lines which forms no part of my invention.
The broken lines in the figures show environmental structure and forms no part of my invention.

1 Claim, 6 Drawing Sheets



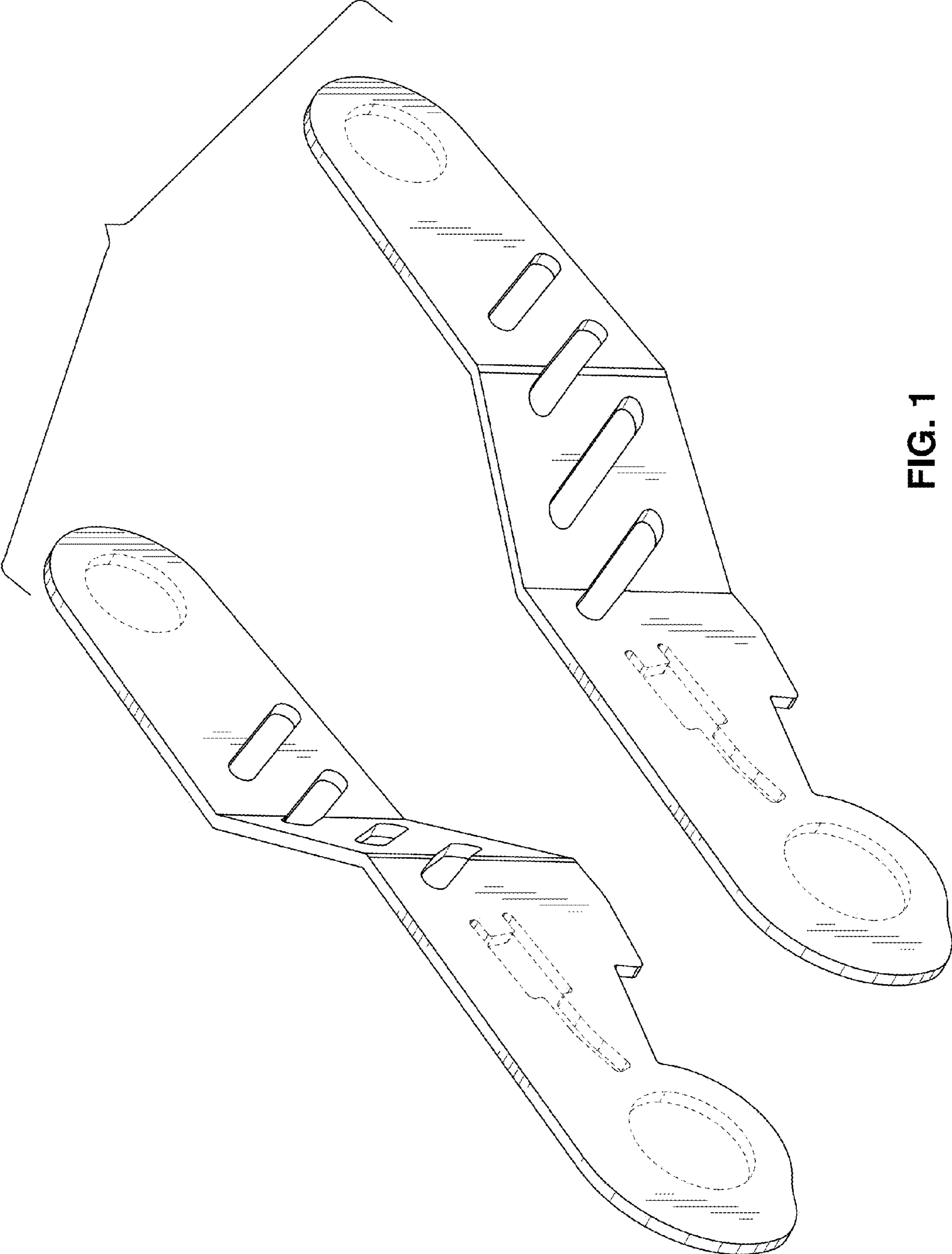


FIG. 1

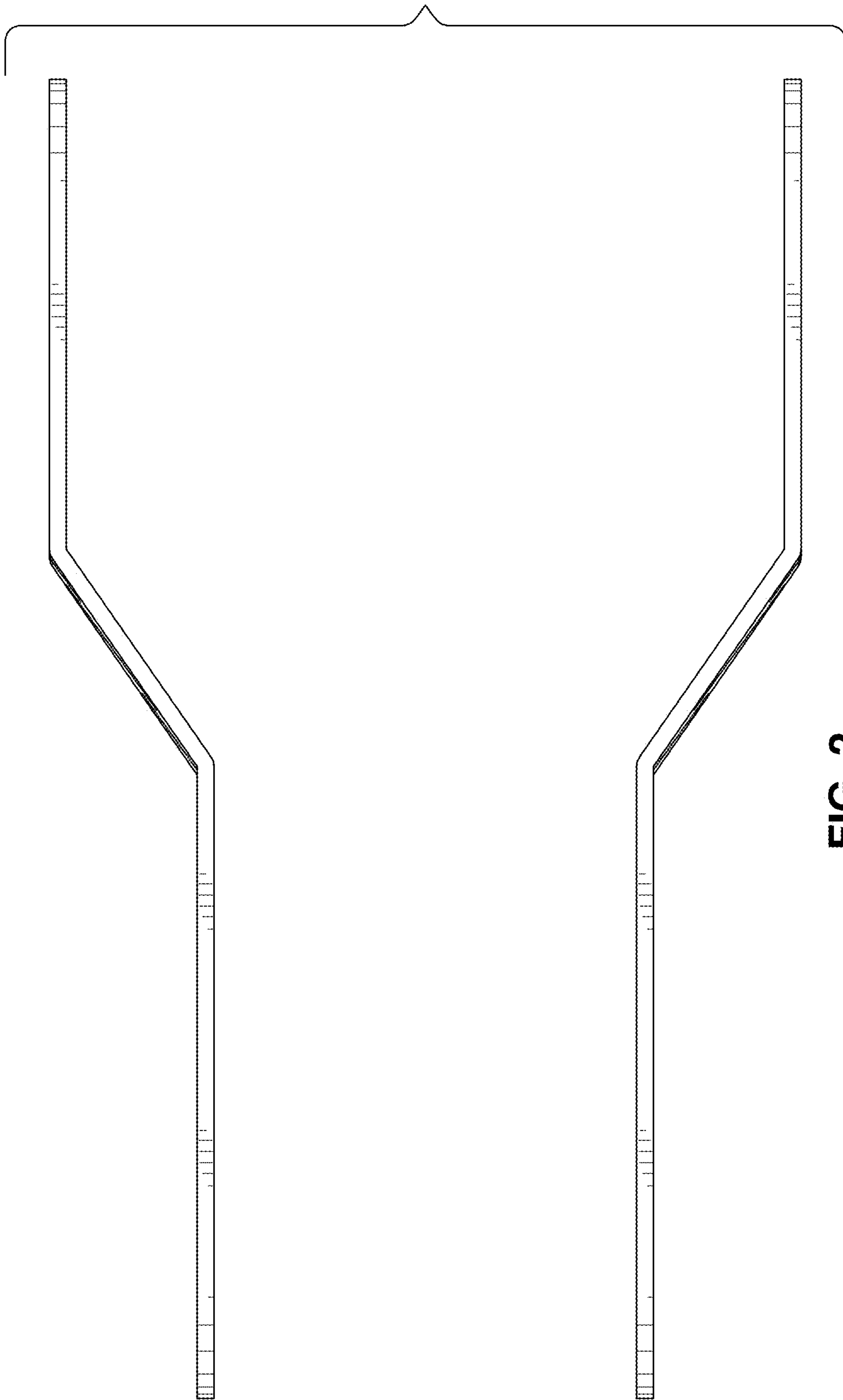


FIG. 2

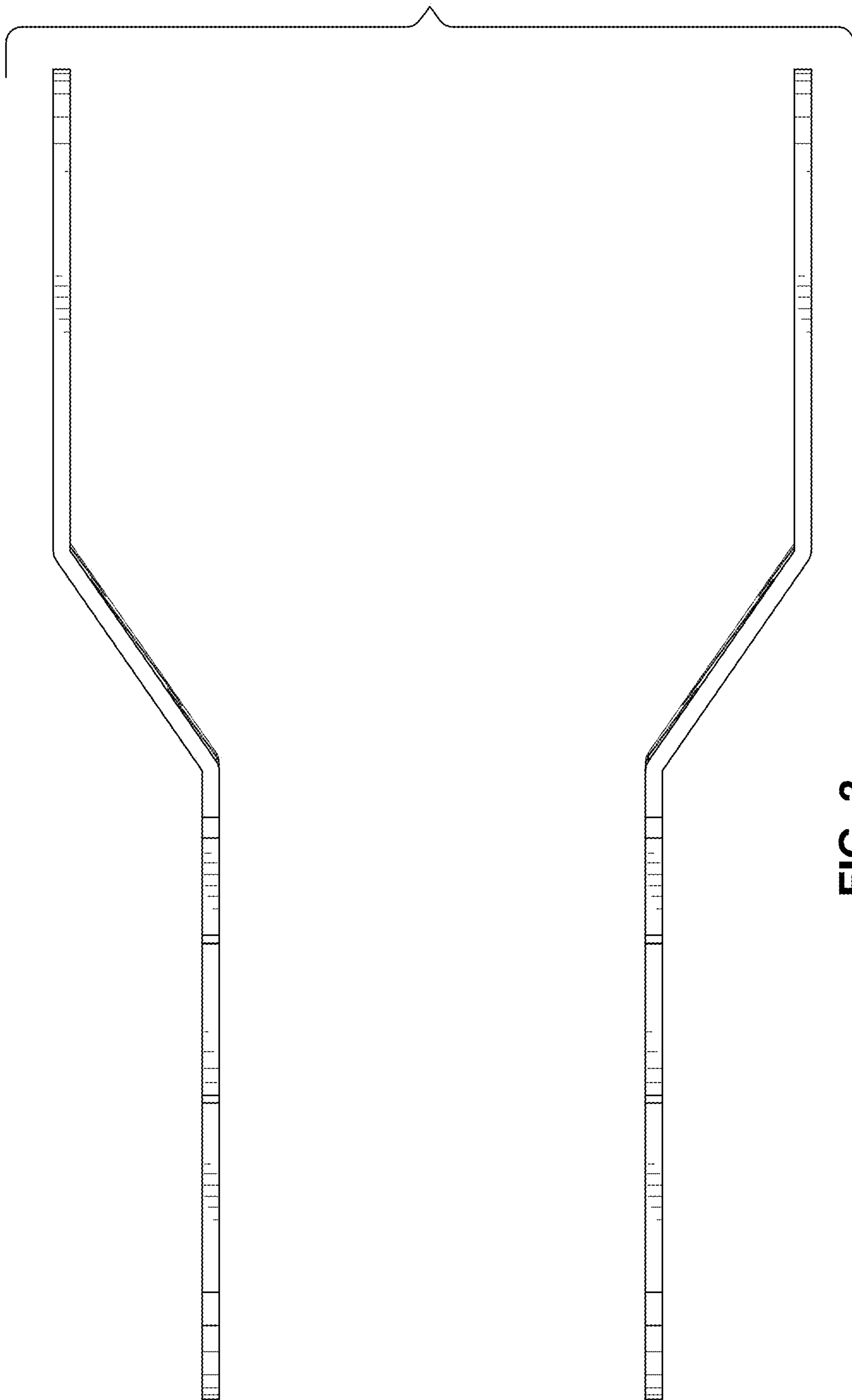


FIG. 3

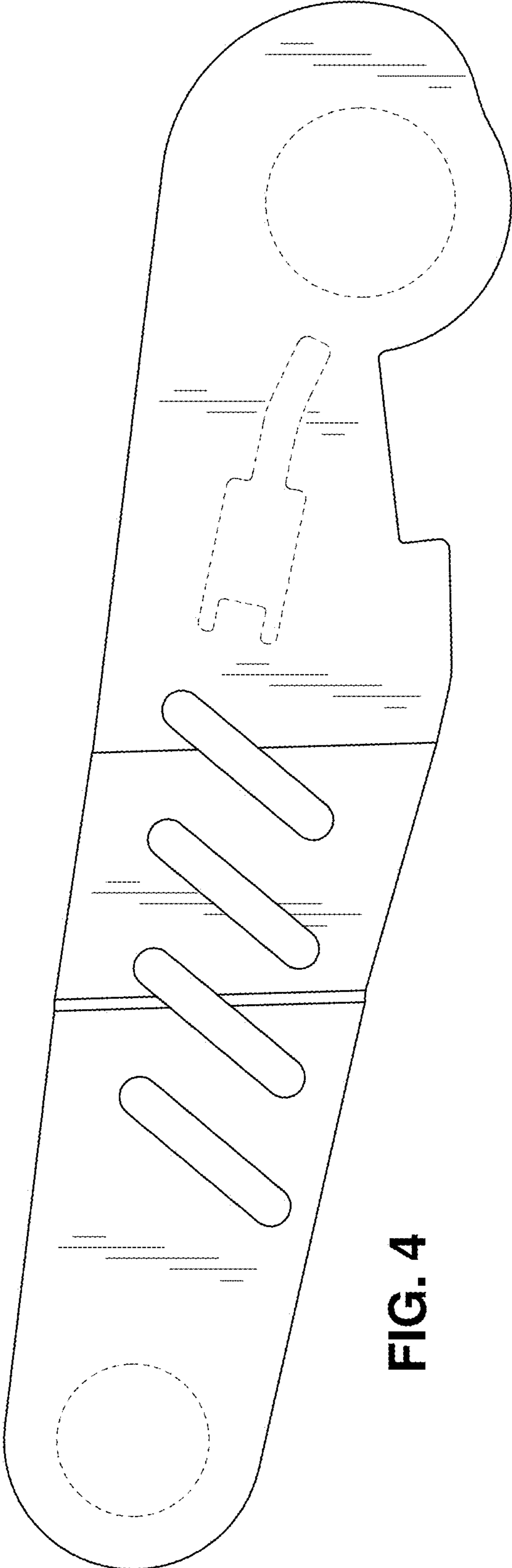


FIG. 4

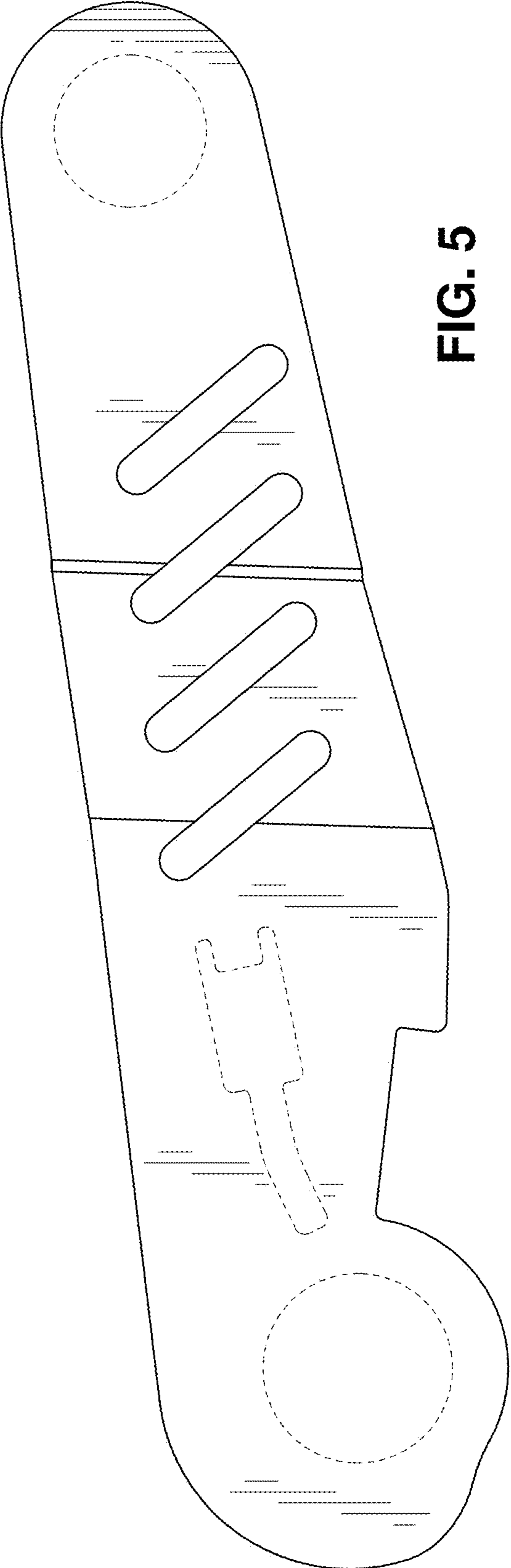


FIG. 5

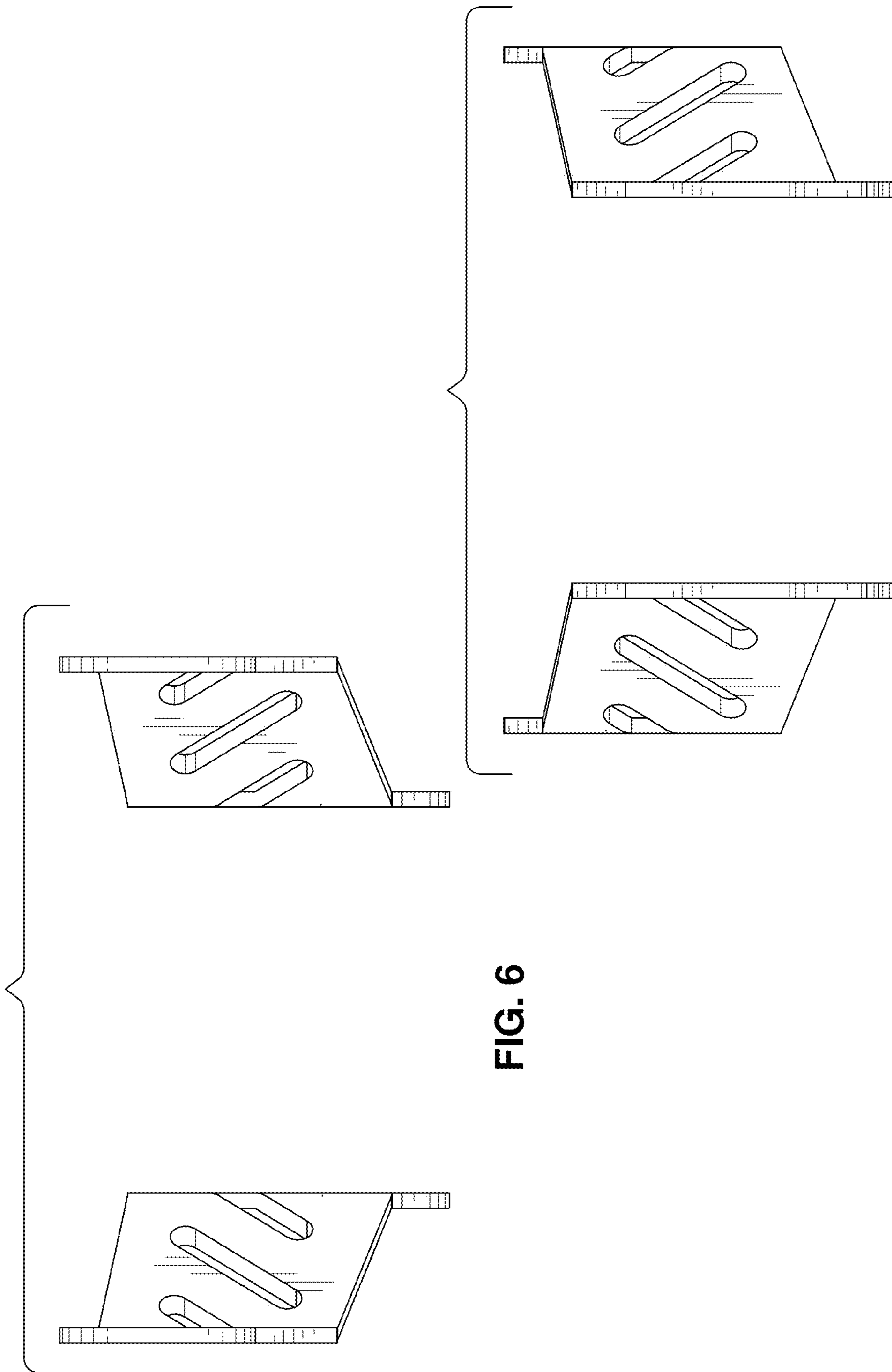


FIG. 6

FIG. 7

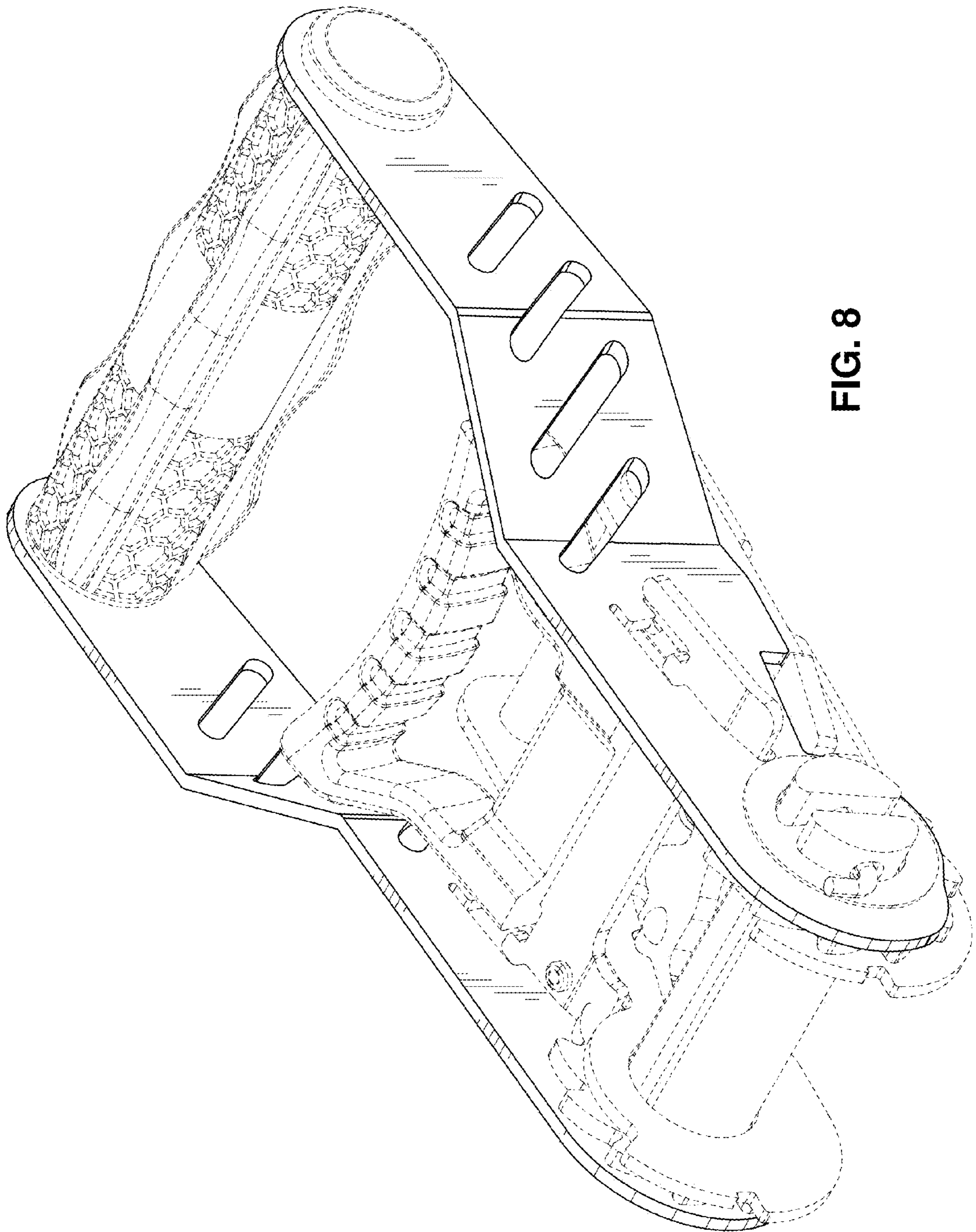


FIG. 8